



US00D841866S

(12) **United States Design Patent** (10) **Patent No.:** **US D841,866 S**
Lee et al. (45) **Date of Patent:** **** Feb. 26, 2019**

(54) **LIGHTING FIXTURE**

- (71) Applicant: **Ladies & Gentleman Studio, Inc.**,
Brooklyn, NY (US)
- (72) Inventors: **Jean Hui Chun Lee**, Brooklyn, NY
(US); **Dylan Davis**, Brooklyn, NY (US)
- (73) Assignee: **Ladies and Gentleman Studio, Inc.**,
Brooklyn, NY (US)
- (**) Term: **15 Years**
- (21) Appl. No.: **29/627,640**
- (22) Filed: **Nov. 29, 2017**

Related U.S. Application Data

- (62) Division of application No. 29/603,613, filed on May 11, 2017, now Pat. No. Des. 810,347, which is a division of application No. 29/573,084, filed on Aug. 2, 2016, now Pat. No. Des. 790,106, which is a division of application No. 29/524,770, filed on Apr. 23, 2015, now Pat. No. Des. 766,491.
 - (51) **LOC (11) Cl.** **26-03**
 - (52) **U.S. Cl.**
USPC **D26/88**
 - (58) **Field of Classification Search**
USPC D26/80-91, 118
CPC F21S 8/03; F21S 8/033; F21S 8/036; F21S 8/04; F21S 8/043; F21S 8/046; F21S 8/06; F21S 8/061; F21S 8/063; F21S 8/065; F21S 8/068; F21V 1/04; F21V 1/06; F21V 1/12; F21V 3/02; F21V 3/023; F21V 5/06
- See application file for complete search history.

(56) **References Cited**

U.S. PATENT DOCUMENTS

| | | | | | |
|--------------|------|---------|-------------|-------|--------------------------|
| 5,025,357 | A * | 6/1991 | Maurer | | F21S 2/00 362/249.01 |
| 5,158,360 | A * | 10/1992 | Banke | | F21S 8/068 362/391 |
| 5,726,706 | A * | 3/1998 | Walsh | | G08B 13/19619 348/151 |
| D487,528 | S * | 3/2004 | Christensen | | D26/79 |
| D565,786 | S * | 4/2008 | Willmorth | | D26/138 |
| D589,640 | S * | 3/2009 | Janssen | | D26/76 |
| D591,444 | S * | 4/2009 | Beno | | D26/76 |
| D620,178 | S * | 7/2010 | Sabernig | | D26/84 |
| D804,700 | S * | 12/2017 | Hendifar | | D26/88 |
| 2007/0127234 | A1 * | 6/2007 | Jervey, III | | F21S 8/06 362/147 |

* cited by examiner

Primary Examiner — Clare E Hefflin

(74) *Attorney, Agent, or Firm* — Timothy W. Menasco, Esq.; Harter Secrest & Emery LLP

(57) **CLAIM**

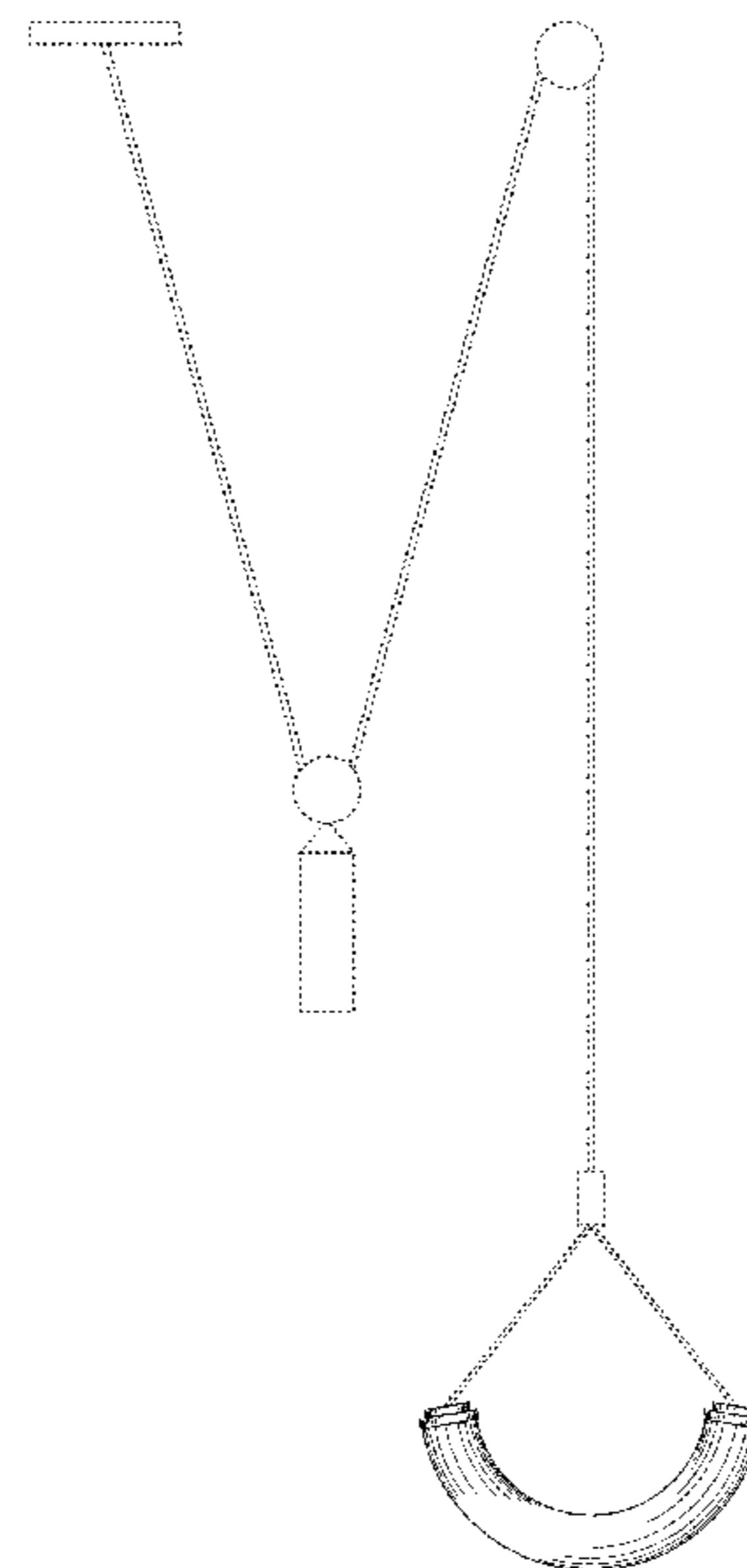
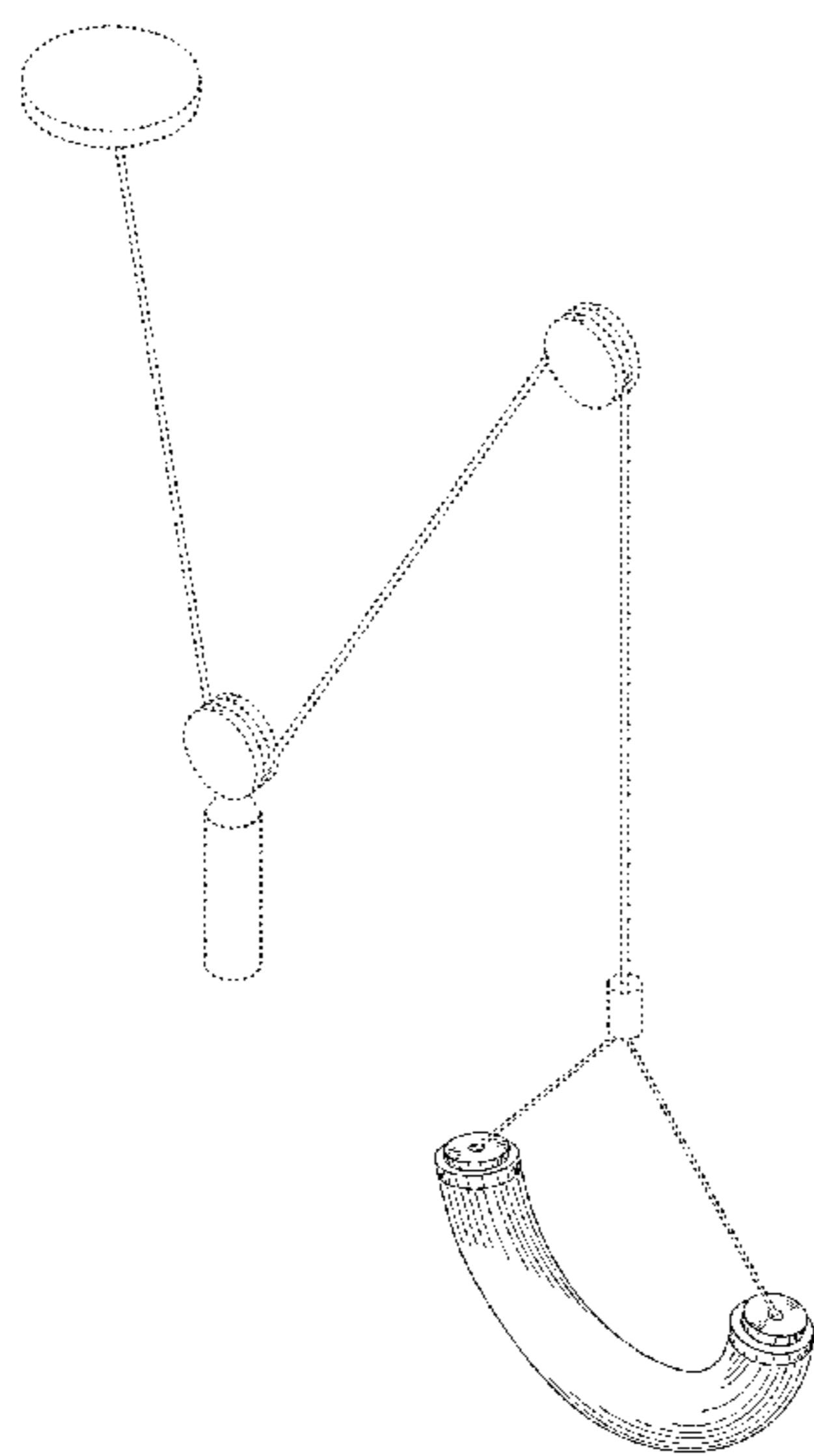
The ornamental design for a lighting fixture, as shown and described.

DESCRIPTION

FIG. 1 is front perspective view of a lighting fixture in accordance with the present invention;
 FIG. 2 is a front view thereof;
 FIG. 3 is a right side view thereof;
 FIG. 4 is a rear view thereof;
 FIG. 5 is a left side view thereof;
 FIG. 6 is a top view thereof; and,
 FIG. 7 is a bottom view thereof.

The broken lines shown on the drawings depict portions of the lighting fixture that form no part of the claimed design.

1 Claim, 6 Drawing Sheets



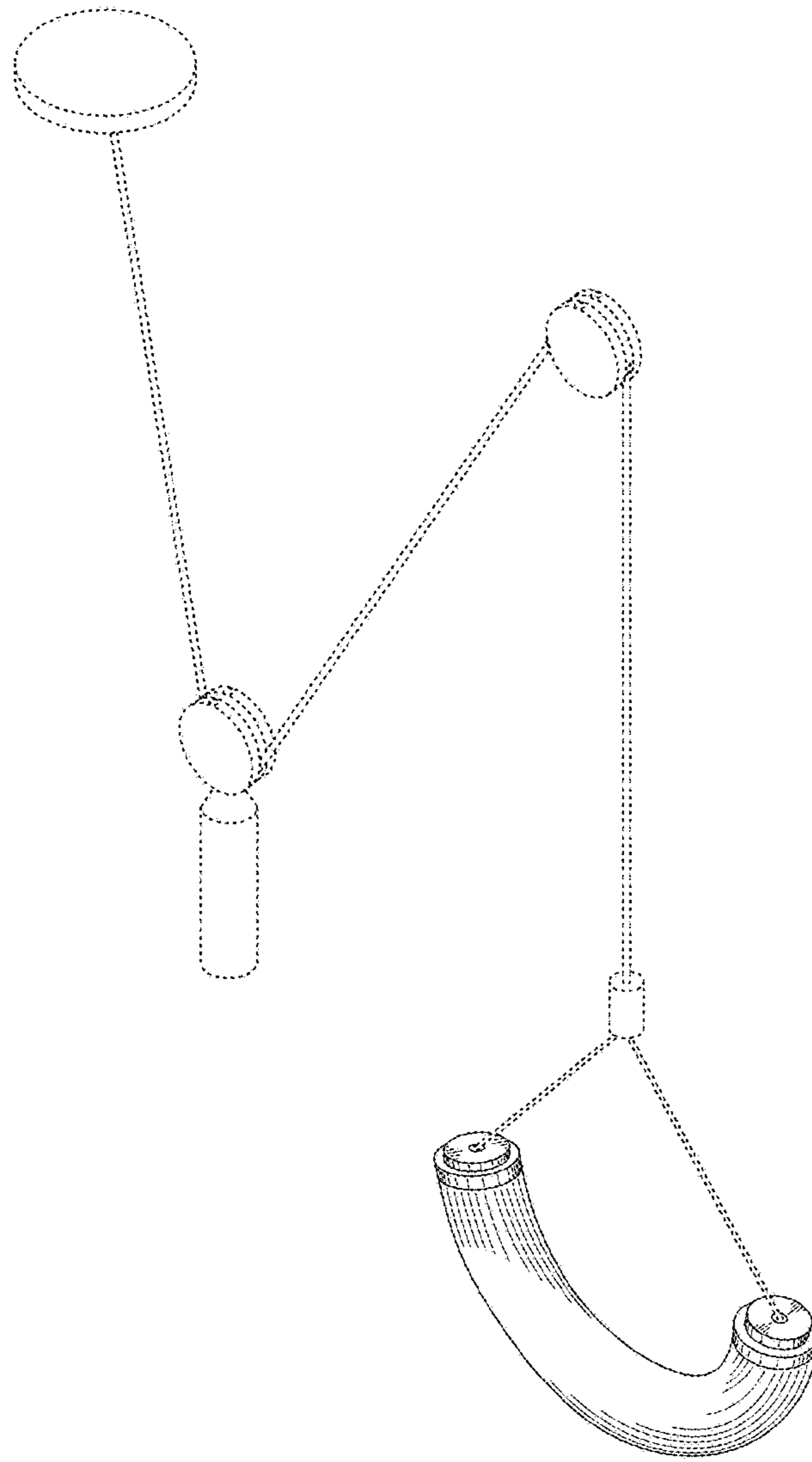


FIG. 1

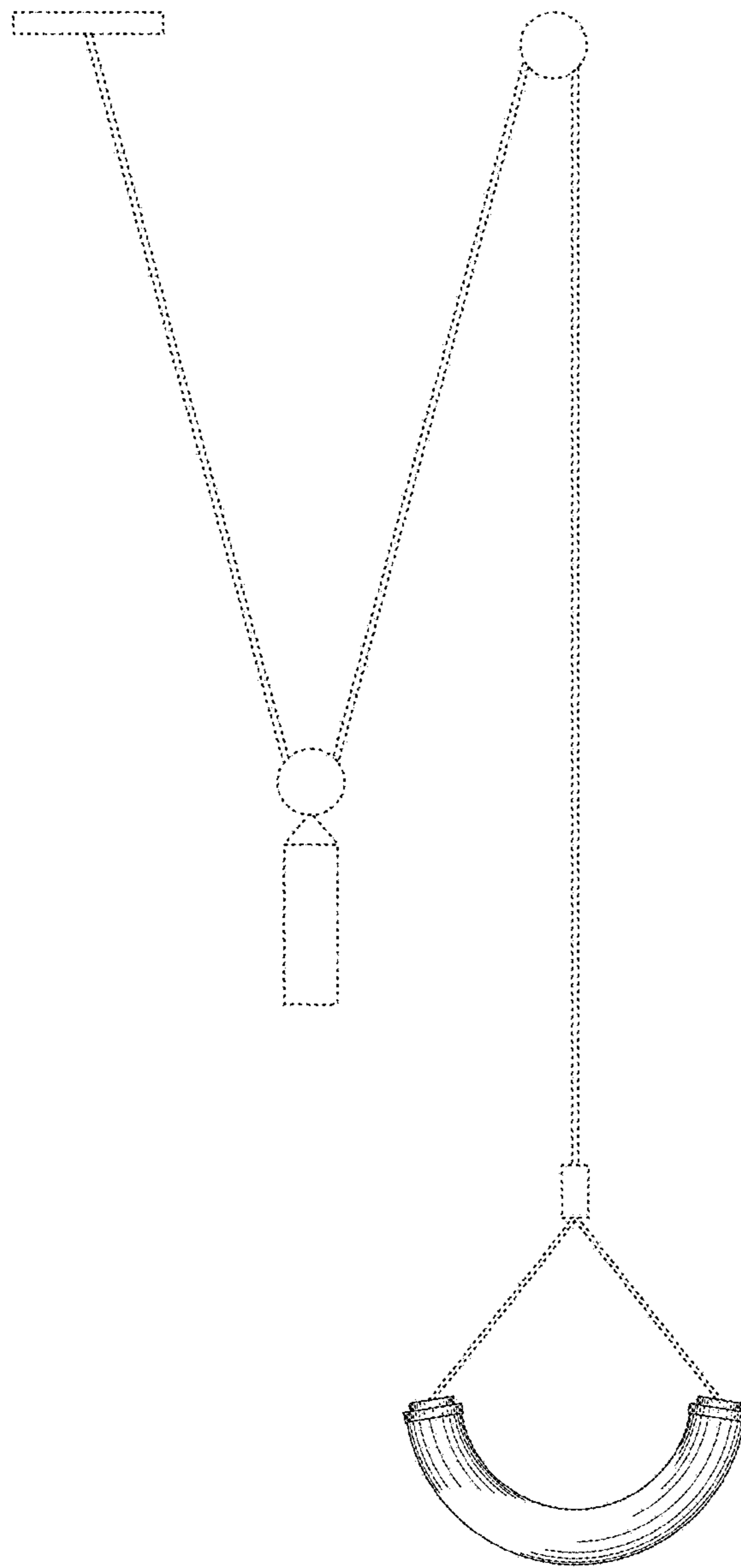


FIG. 2

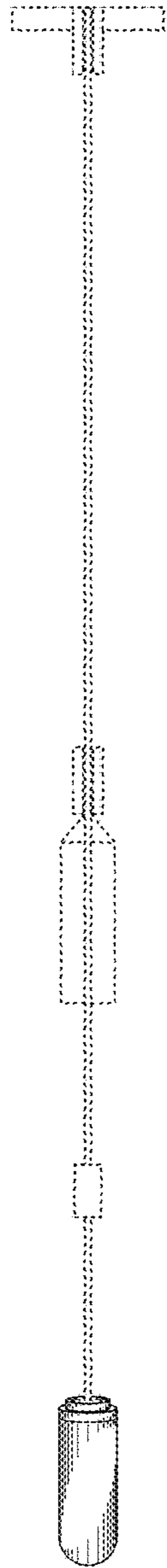


FIG. 3

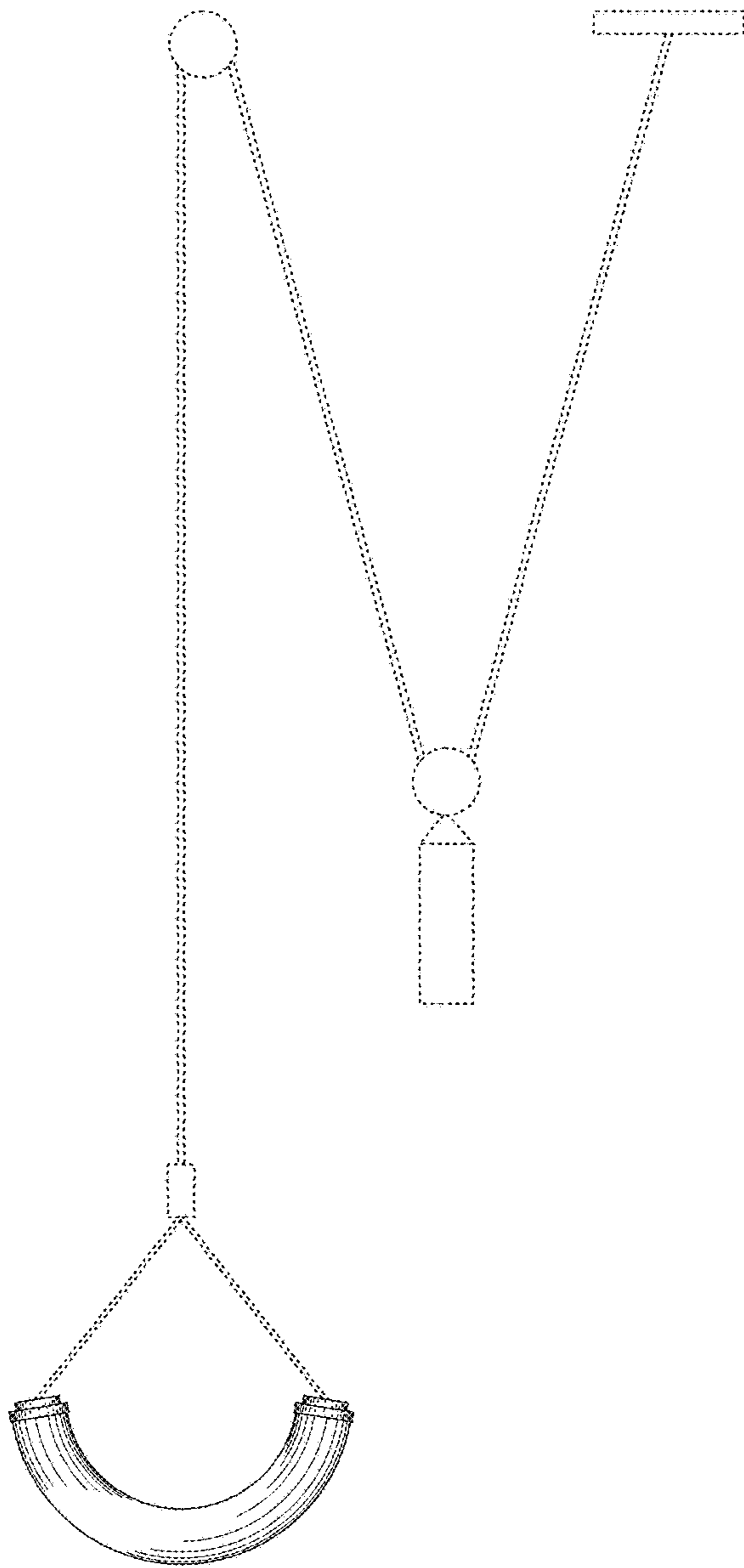


FIG. 4

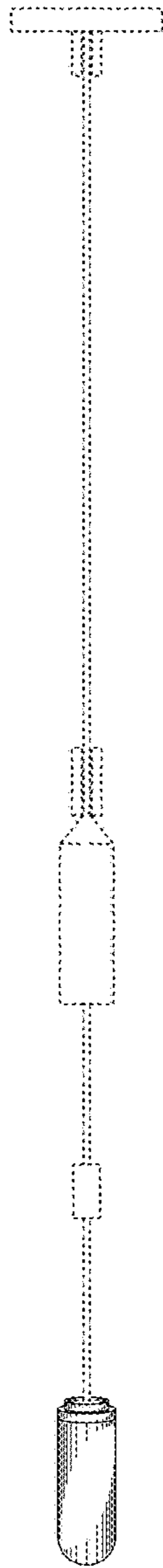


FIG. 5

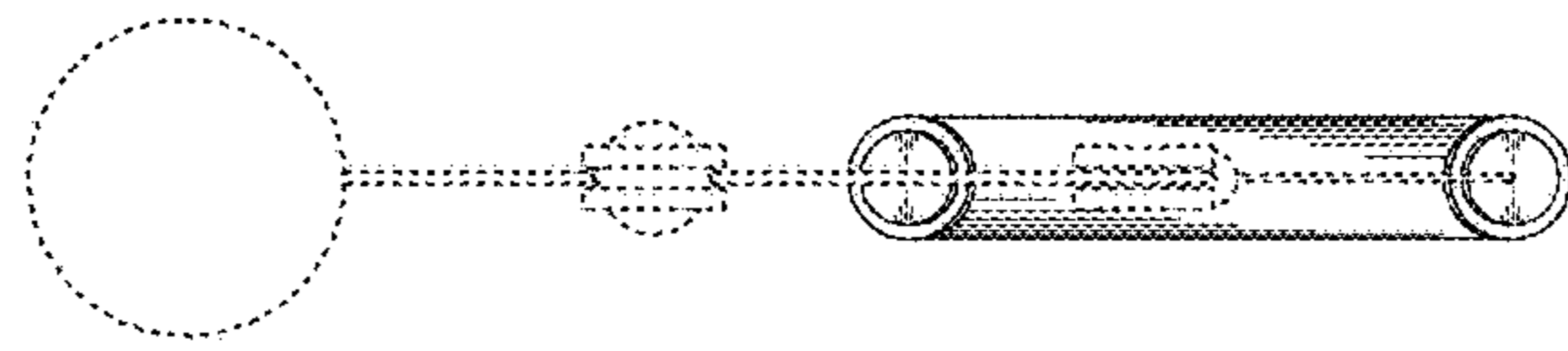


FIG. 6

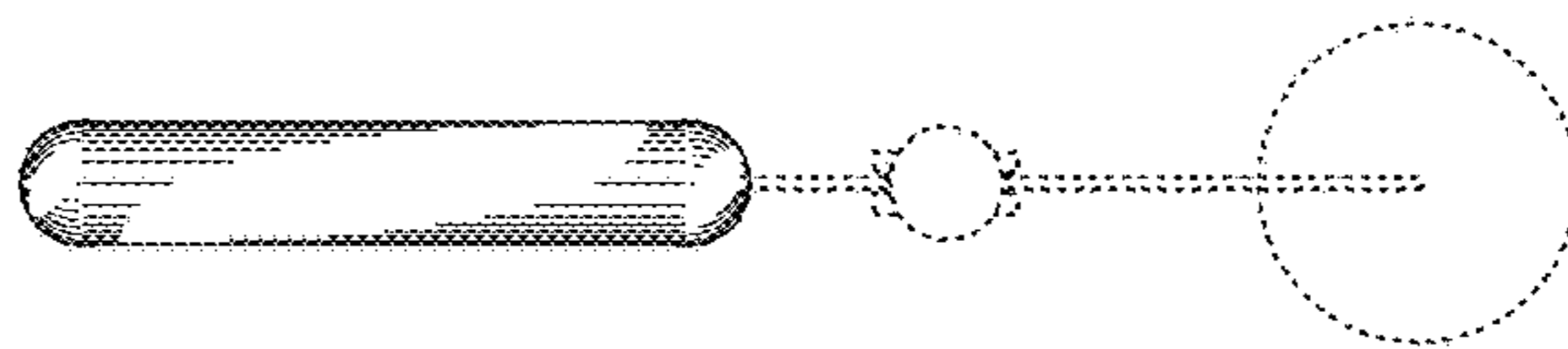


FIG. 7