



US00D841865S

(12) **United States Design Patent** (10) **Patent No.:** **US D841,865 S**  
**Deng** (45) **Date of Patent:** **\*\* Feb. 26, 2019**

(54) **WALL LAMP**

(71) Applicant: **Yixin Deng**, Hunan (CN)

(72) Inventor: **Yixin Deng**, Hunan (CN)

(\*\*) Term: **15 Years**

(21) Appl. No.: **29/624,920**

(22) Filed: **Nov. 6, 2017**

(51) **LOC (11) Cl.** ..... **26-03**

(52) **U.S. Cl.**  
USPC ..... **D26/85**

(58) **Field of Classification Search**  
USPC ..... D26/72, 85, 89, 120; D10/106.6, 106.8  
CPC .... F21S 8/03; F21S 8/033; F21S 8/036; F21S  
8/037; F21S 9/022; F21S 9/024; F21S  
9/03; F21S 9/035; F21S 9/037; F21W  
2131/107; G08B 13/193  
See application file for complete search history.

(56) **References Cited**

**U.S. PATENT DOCUMENTS**

D189,054 S *	10/1960	Jaffe, Jr.	.....	D26/85
4,015,163 A *	3/1977	Iacobelli	.....	F21S 8/033
				312/204
D691,319 S *	10/2013	Guercio	.....	D26/85
D747,532 S *	1/2016	Gough	.....	D26/85
D786,470 S *	5/2017	Largent	.....	D26/72
D796,975 S *	9/2017	Jou	.....	D10/106.6
D805,236 S *	12/2017	Exley	.....	D26/85
D808,569 S *	1/2018	Ban	.....	D26/85
D816,259 S *	4/2018	Liu	.....	D26/85

D822,874 S *	7/2018	Hu	.....	D26/85
D829,359 S *	9/2018	Zhang	.....	D26/85
D829,956 S *	10/2018	Liu	.....	D26/85
2017/0321877 A1 *	11/2017	Polidoro	.....	F21S 8/033

**OTHER PUBLICATIONS**

LITOM 30-LED Super Bright Solar Light. ASIN: B074MX1NRK. Available at amazon.com as early as Aug. 7, 2017. (Year: 2017).\*  
InnoGear 62-LED Solar Light Model No. SL621D (ASIN: B07D3QFPRT). First available at amazon.com on May 16, 2018. (Year: 2018).\*

\* cited by examiner

*Primary Examiner* — Clare E Heflin  
(74) *Attorney, Agent, or Firm* — Law Offices of Steven W. Weinrieb

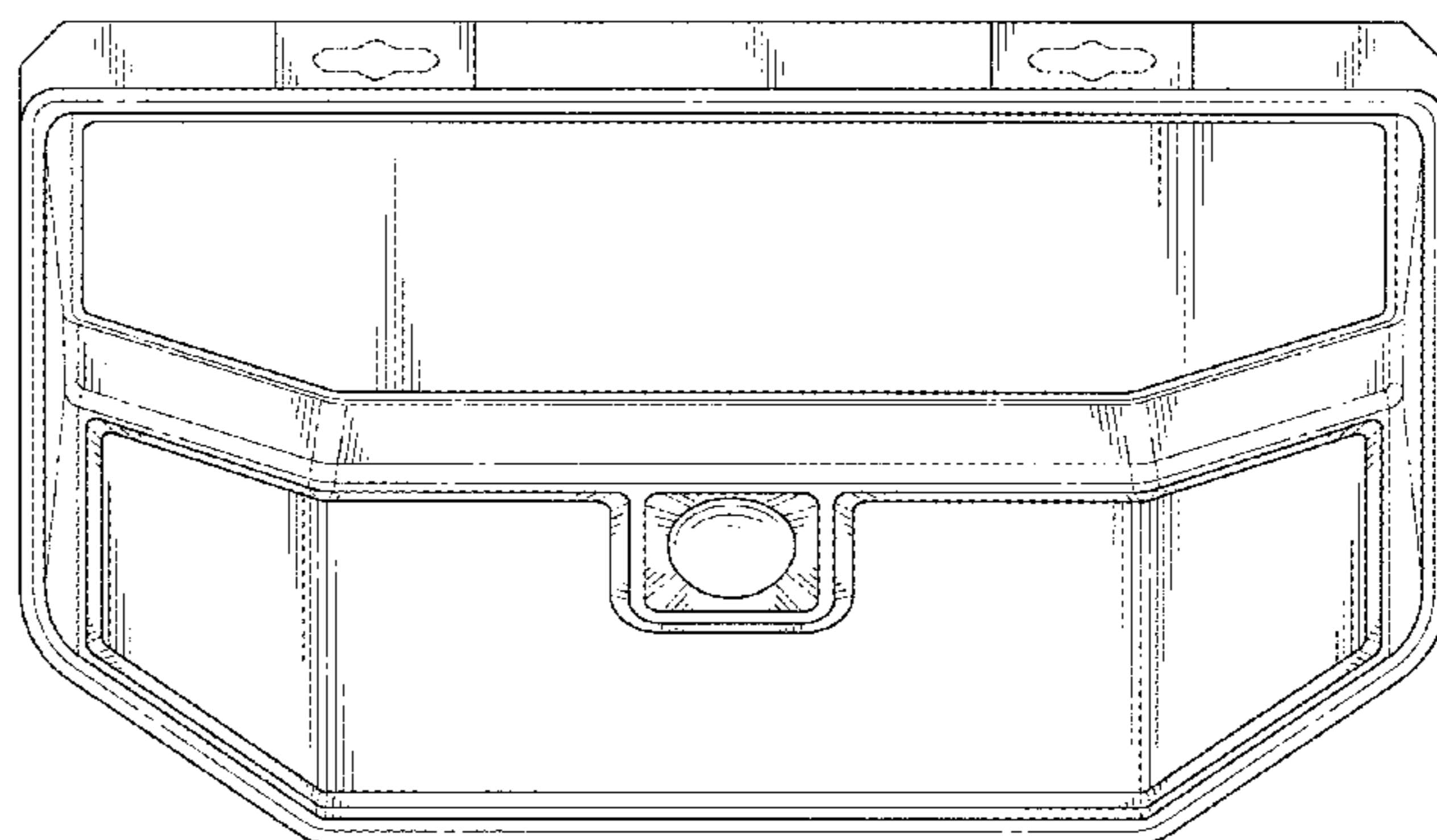
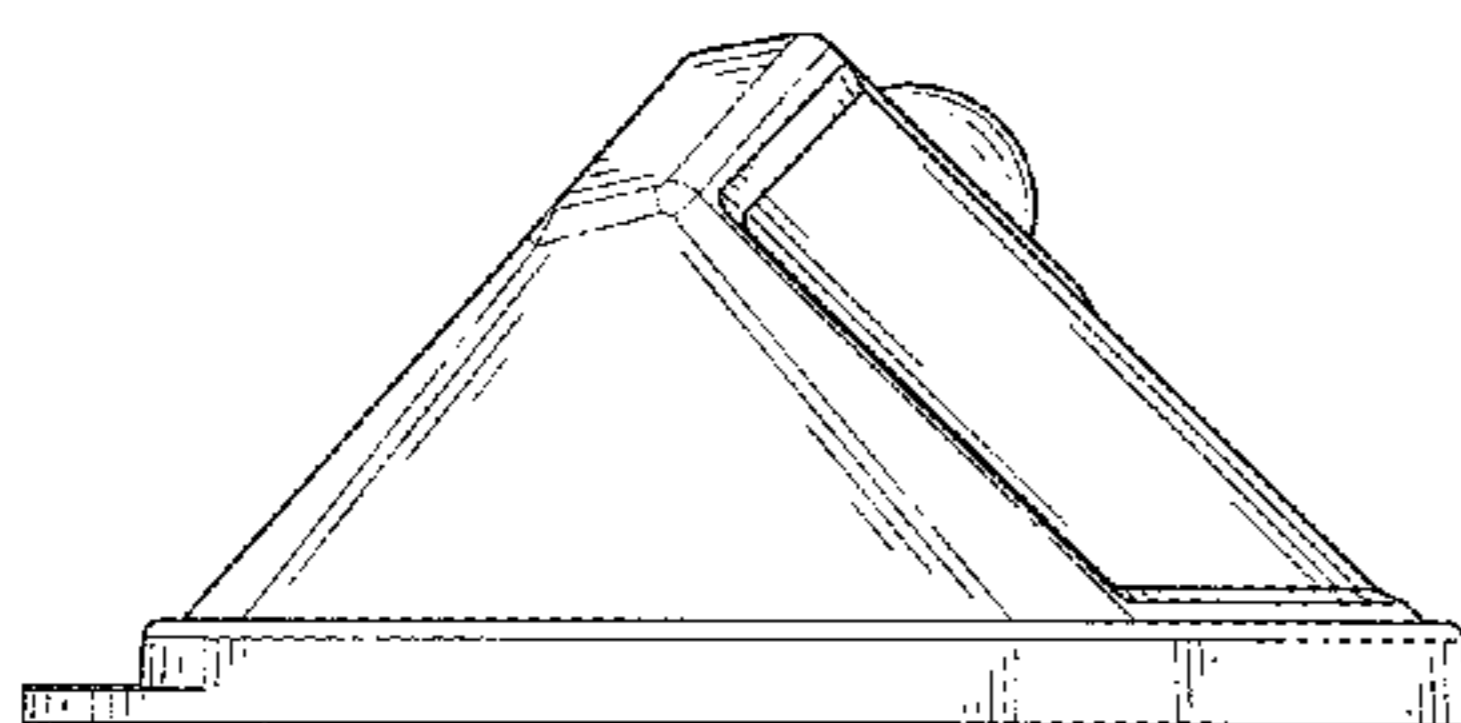
(57) **CLAIM**

The ornamental design for a wall lamp, as shown and described.

**DESCRIPTION**

FIG. 1 is a left side top perspective view of the wall lamp showing my new design;  
FIG. 2 is a rear side top perspective view thereof;  
FIG. 3 is a front elevational view thereof;  
FIG. 4 is a rear elevational view thereof;  
FIG. 5 is a left side elevational view thereof;  
FIG. 6 is a right side elevational view thereof;  
FIG. 7 is a top plan view thereof; and,  
FIG. 8 is a bottom plan view thereof.  
The broken lines shown on the drawings depict portions of the wall lamp that form no part of the claimed design.

**1 Claim, 8 Drawing Sheets**



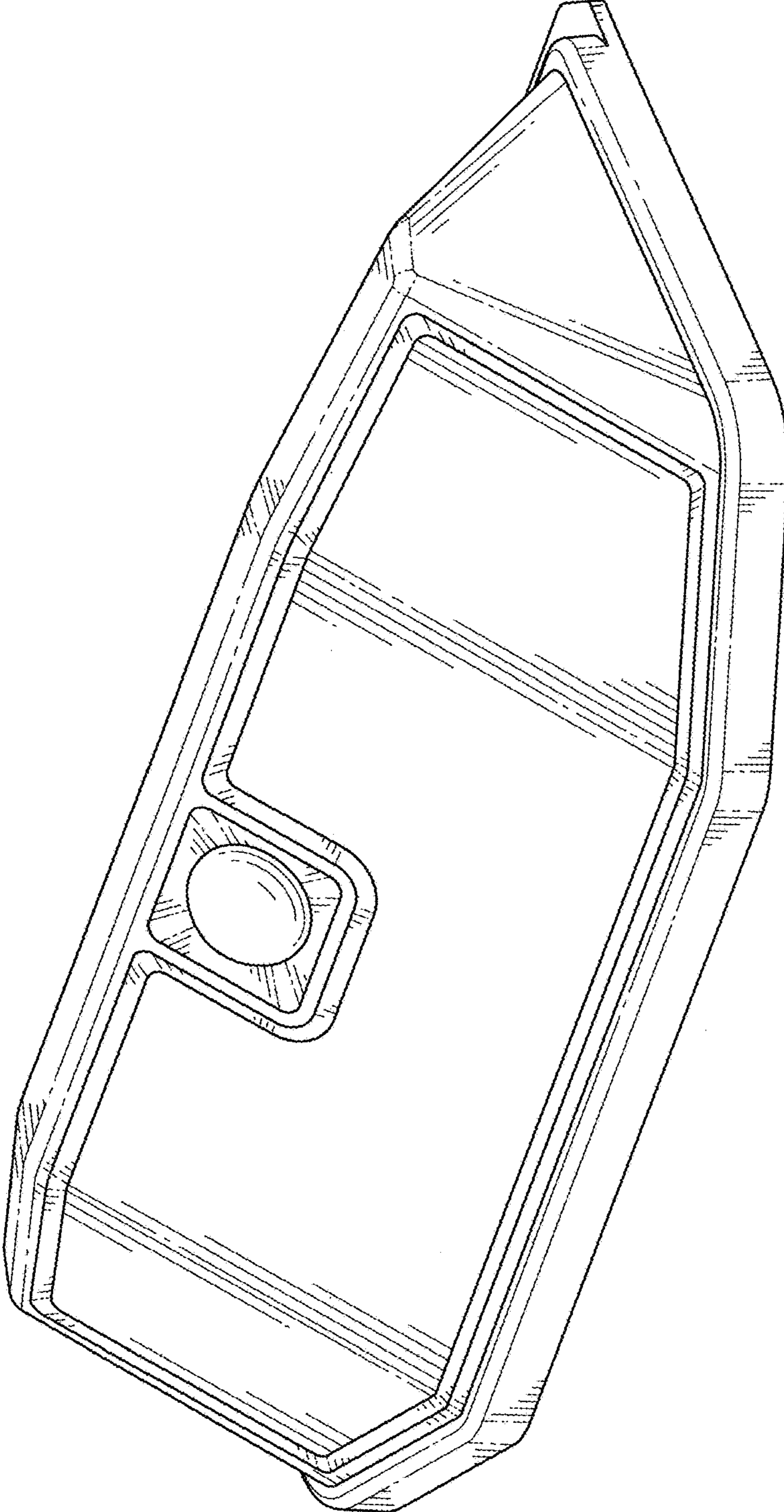


FIG. 1

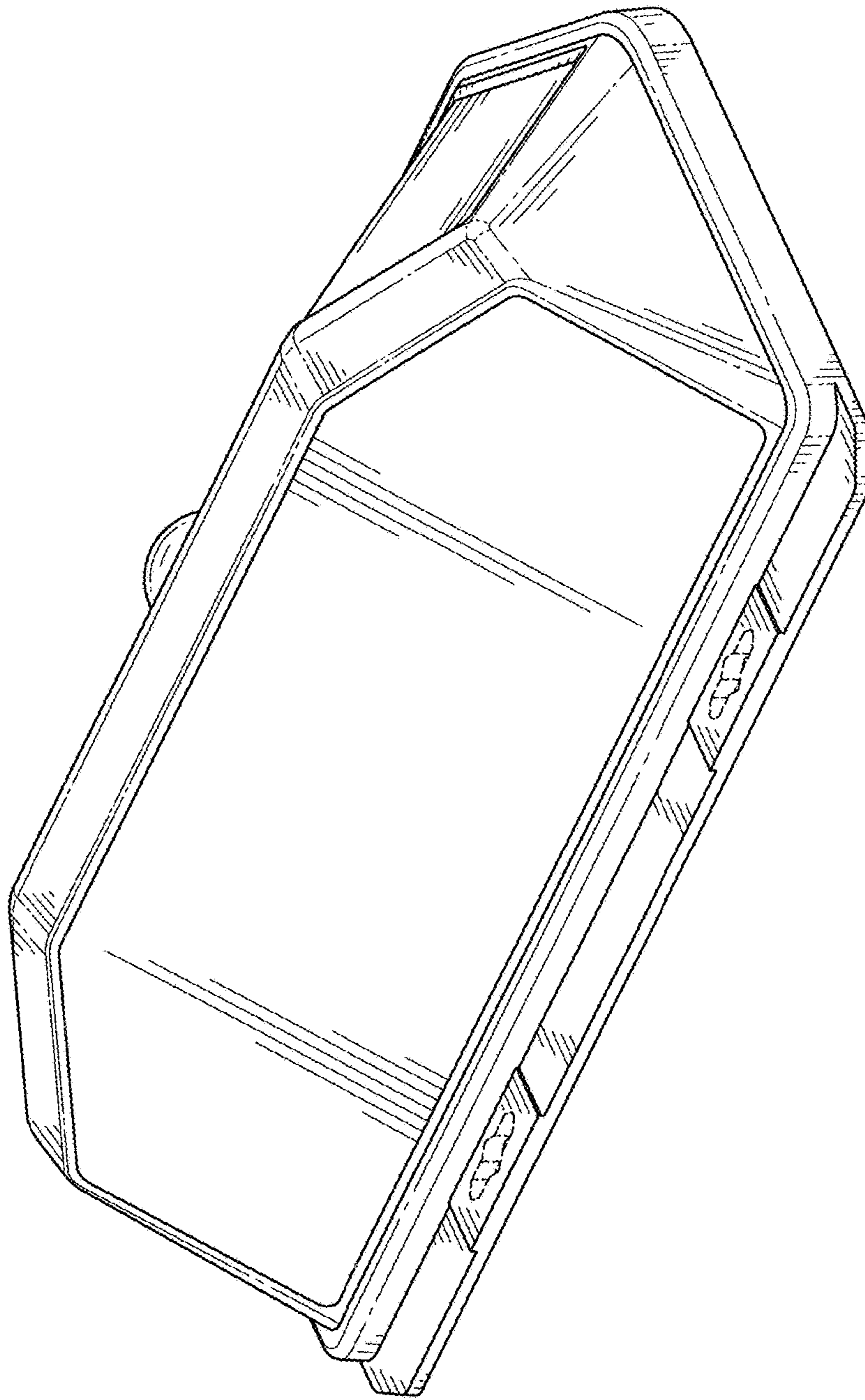


FIG. 2

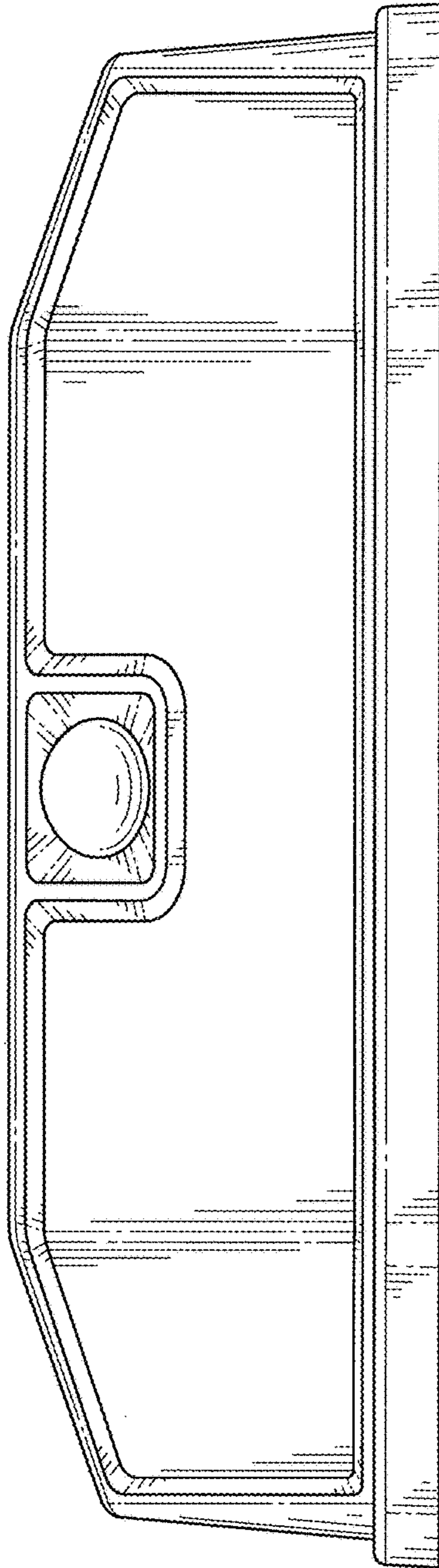


FIG. 3



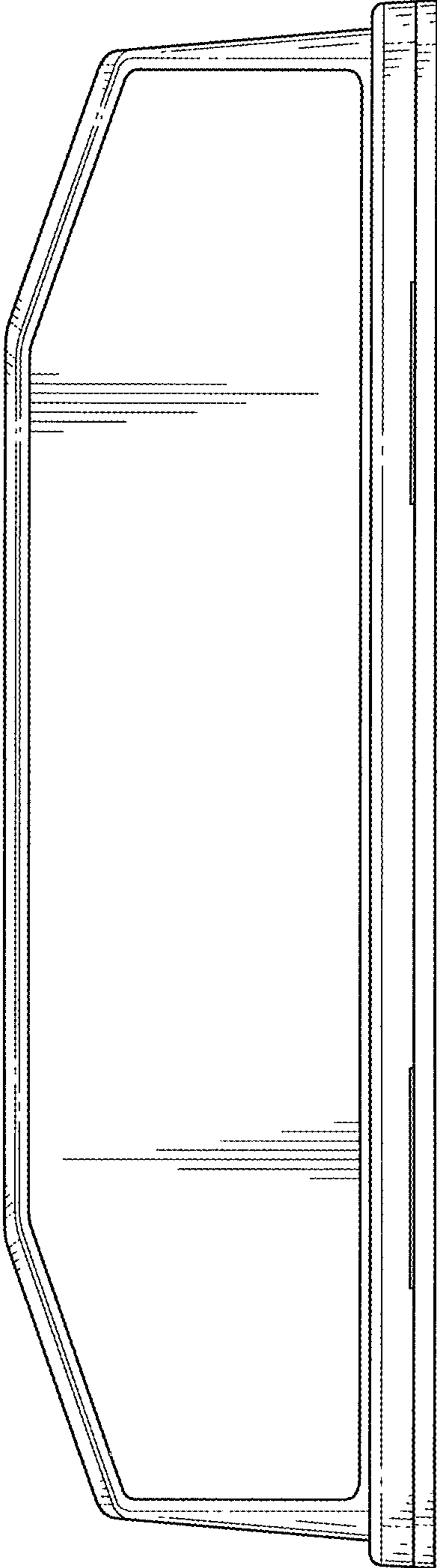


FIG. 4

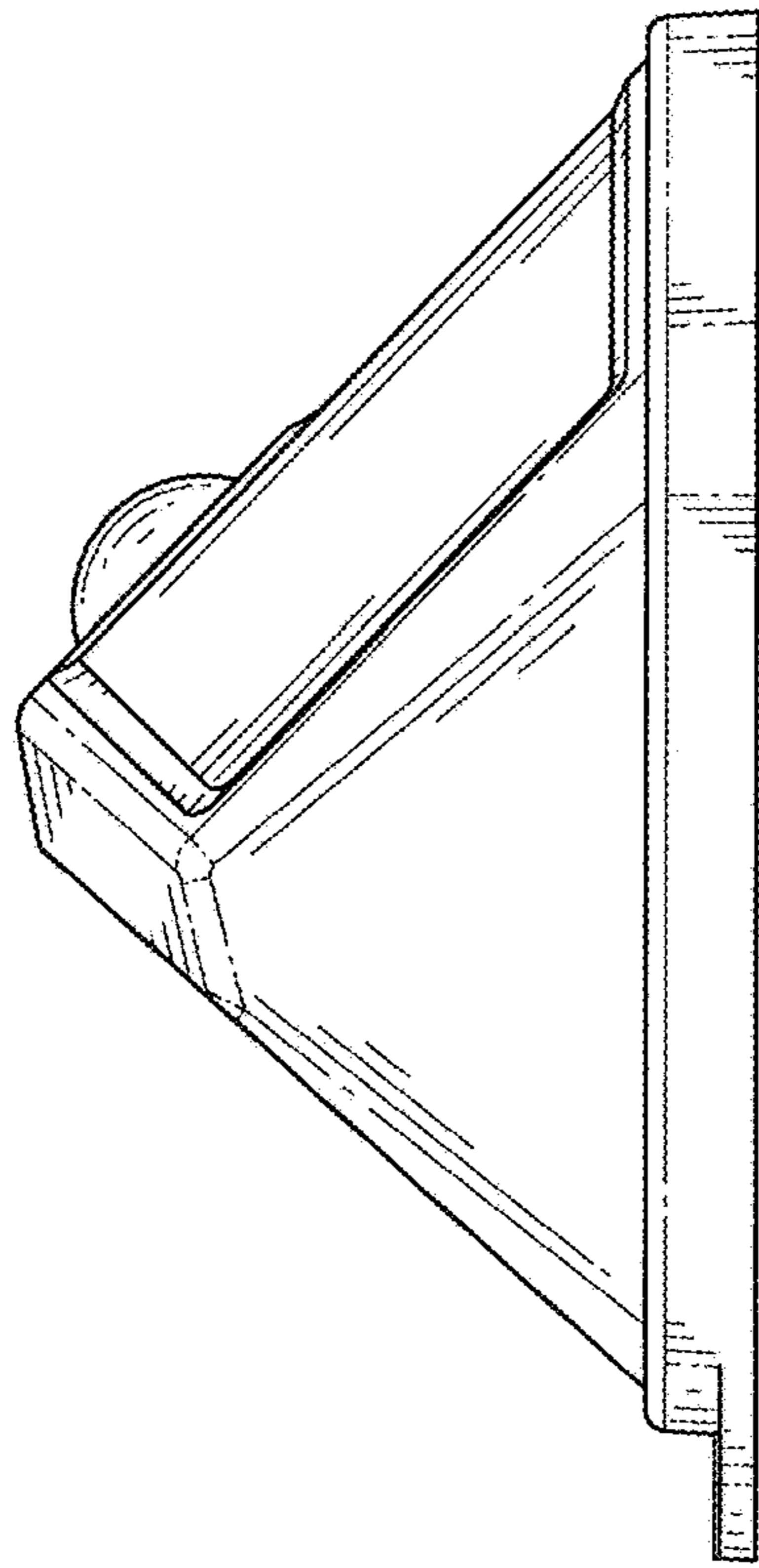


FIG. 5

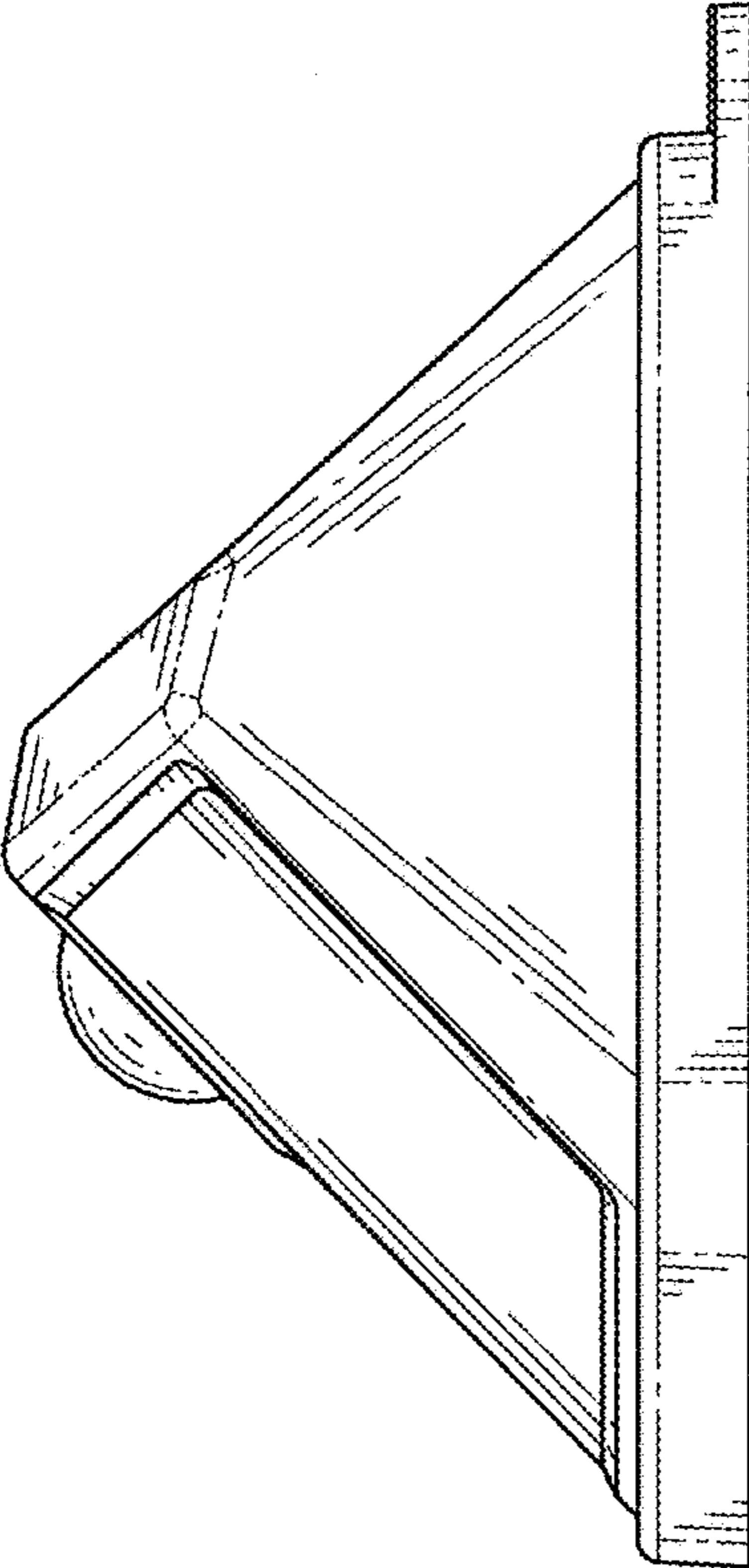


FIG. 6

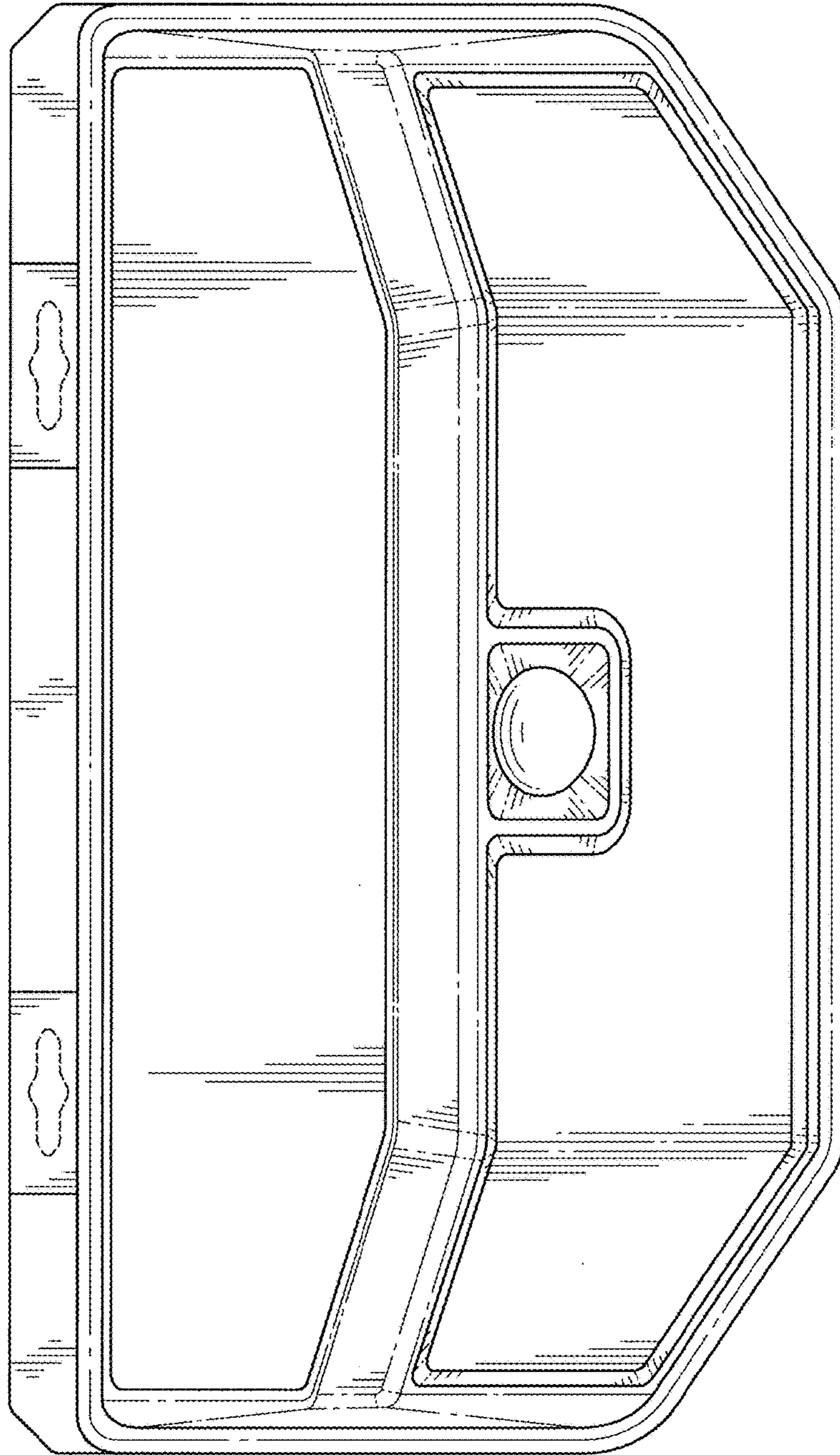


FIG. 7



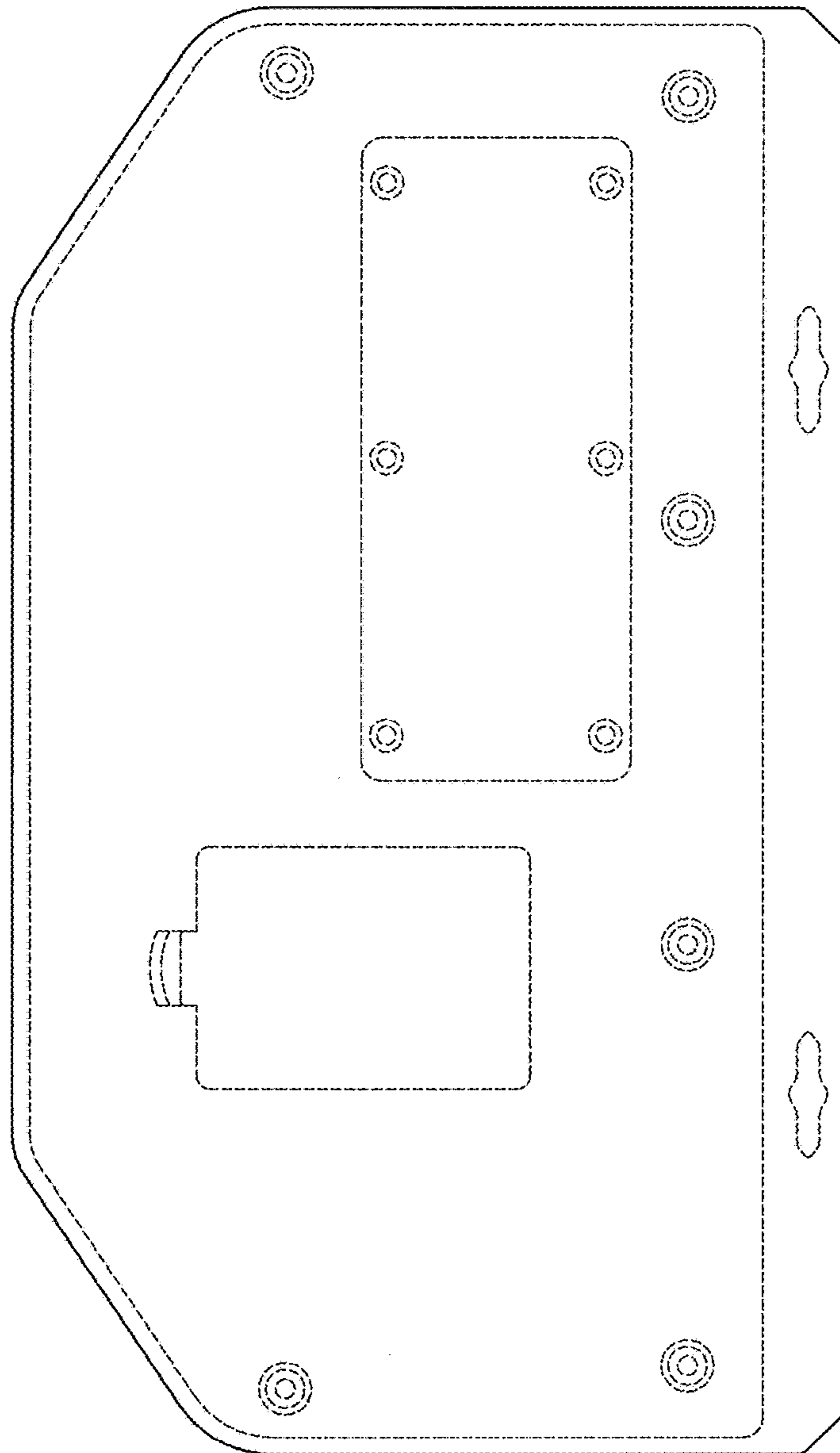


FIG. 8