



US00D841860S

(12) **United States Design Patent**
Honda et al.

(10) **Patent No.:** **US D841,860 S**

(45) **Date of Patent:** **** Feb. 26, 2019**

(54) **LIGHT FIXTURE WITH BATTERY BACKUP**

(71) Applicant: **Cooper Technologies Company**,
Houston, TX (US)

(72) Inventors: **Budd Shaw Honda**, Baldwinsville, NY
(US); **Adam Douglas Ledgerwood**,
Syracuse, NY (US); **Daniel Robert
Treible**, Clay, NY (US); **Robert
Hamilton Reason**, Liverpool, NY (US)

(73) Assignee: **Eaton Intelligent Power Limited**,
Dublin (IE)

(**) Term: **15 Years**

(21) Appl. No.: **29/563,258**

(22) Filed: **May 3, 2016**

(51) **LOC (11) Cl.** **26-04**

(52) **U.S. Cl.**
USPC **D26/76**

(58) **Field of Classification Search**
USPC D10/111-115; D13/134; D14/473;
D25/119, 126, 133, 135; D26/38, 39, 40,
D26/42, 46, 48, 51, 54, 60, 61, 63, 64,
D26/65, 66, 71, 74, 75, 76, 78, 80, 81,
D26/82, 83, 84, 85, 86, 88, 89, 91, 113,
D26/118, 119, 120, 121, 122, 138, 141,
D26/142, 152
CPC F21S 4/28; F21S 8/026; F21S 8/031; F21S
8/036; F21S 8/043; F21S 9/02; F21V
21/04; F21V 29/74; F21V 29/75; F21V
29/83

See application file for complete search history.

(56) **References Cited**

U.S. PATENT DOCUMENTS

D646,827 S * 10/2011 Van Gompel D26/74
D678,582 S * 3/2013 Du D26/71
D684,285 S * 6/2013 Maxik D26/71
D689,226 S * 9/2013 Yeh D26/46

D692,170 S * 10/2013 Liu D26/71
D707,381 S * 6/2014 Maxik D26/71
8,876,329 B2 * 11/2014 Fields F21V 17/02
362/238
D742,270 S * 11/2015 Stein D10/114.4
D753,863 S * 4/2016 Bembridge D26/71
D779,984 S * 2/2017 Deyaf D10/114.2
D822,868 S * 7/2018 Liu D26/71
D822,870 S * 7/2018 Scarlata D26/76
D823,519 S * 7/2018 Adams D26/76
2012/0140474 A1 * 6/2012 Jurik F21S 2/00
362/249.09
2016/0356475 A1 * 12/2016 Honda F21V 25/12
2017/0067628 A1 * 3/2017 Branch F21V 33/0012

OTHER PUBLICATIONS

MHL LED Catalogs p. 1-6, dated before May 3, 2016.
Dialight brochure, dated before May 3, 2016.

* cited by examiner

Primary Examiner — Kevin K Rudzinski
Assistant Examiner — Richard Kearney
(74) *Attorney, Agent, or Firm* — Merchant & Gould P.C.

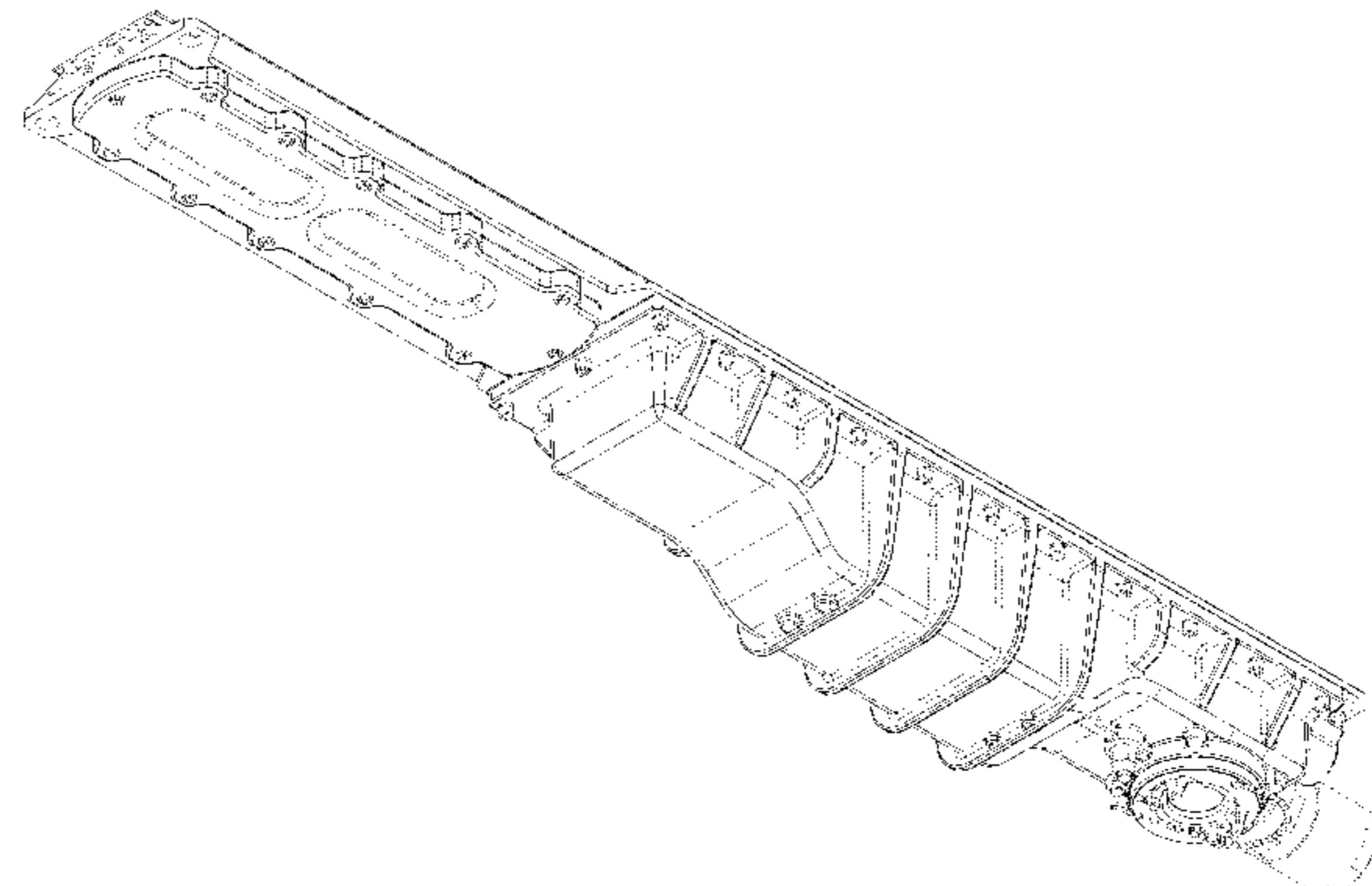
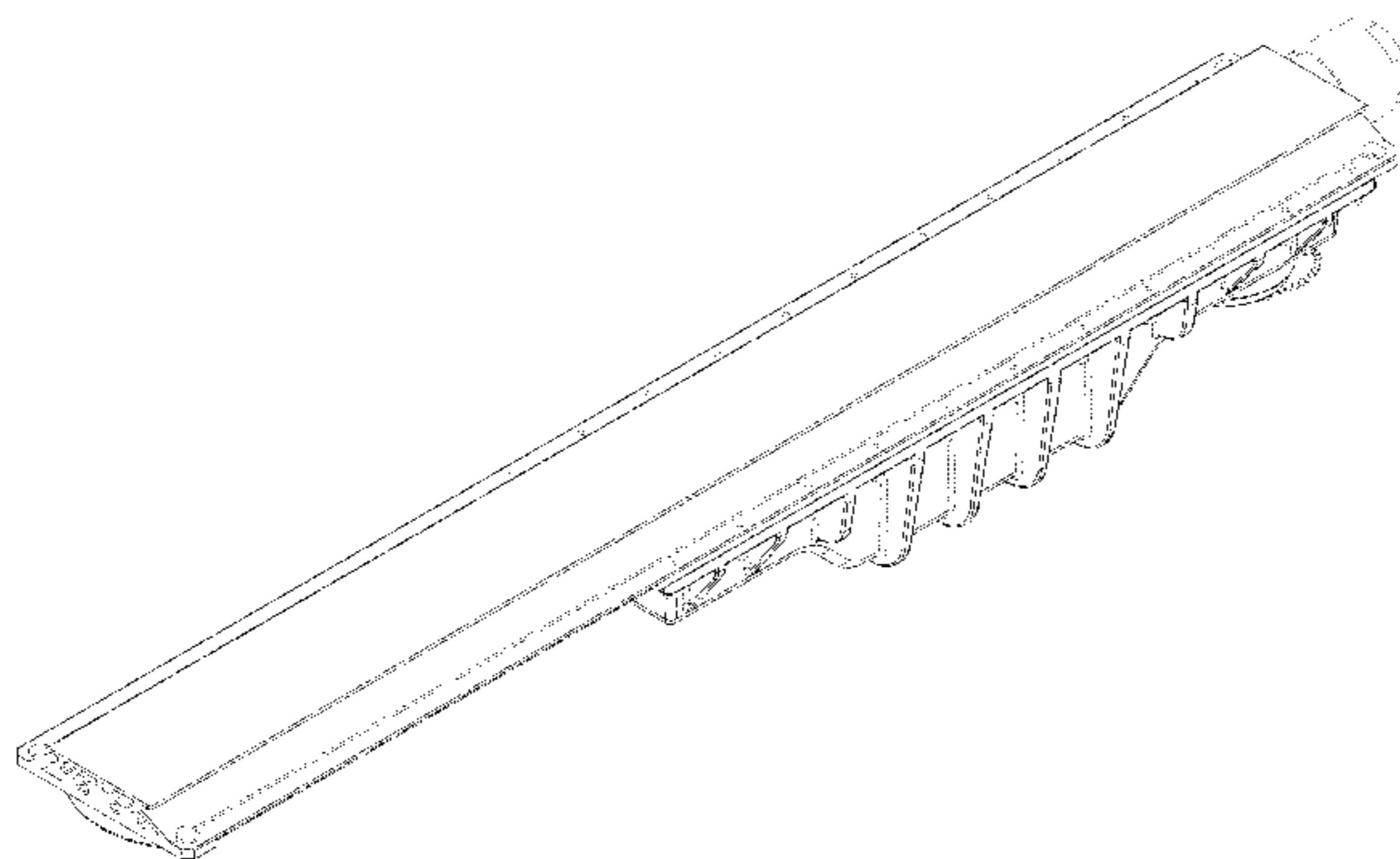
(57) **CLAIM**

The ornamental design for a light fixture with battery backup, as shown and described.

DESCRIPTION

FIG. 1 is a top perspective view of a light fixture with battery backup, showing our new design;
FIG. 2 is a front elevation thereof;
FIG. 3 is a rear elevation view thereof;
FIG. 4 is a left side view thereof;
FIG. 5 is a right side view thereof;
FIG. 6 is a top plan view thereof;
FIG. 7 is a bottom plan view thereof; and,
FIG. 8 is a bottom perspective view thereof.
The broken lines shown in the drawings illustrate portions of the light fixture with battery backup that form no part of the claimed design.

1 Claim, 5 Drawing Sheets



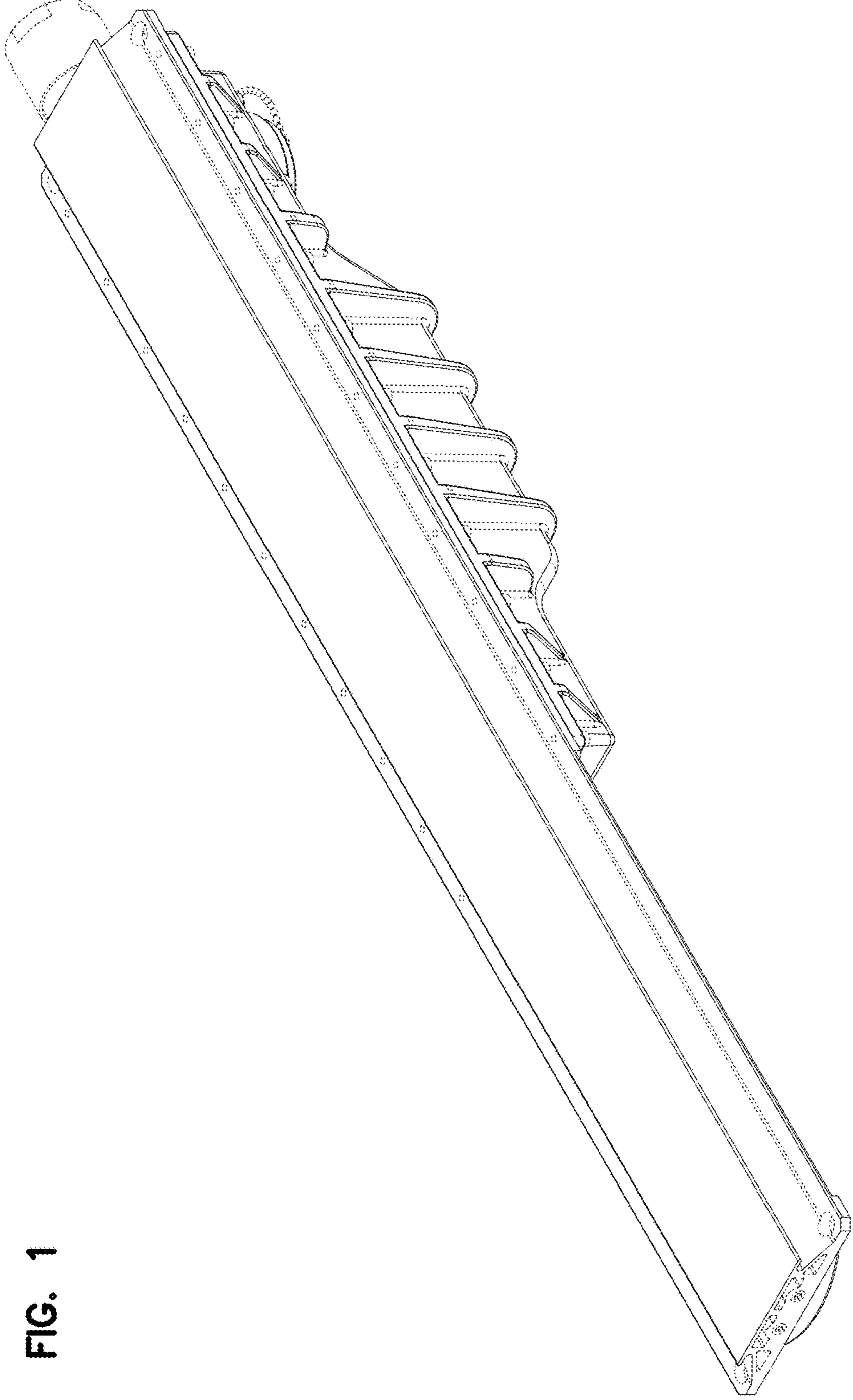


FIG. 1

FIG. 2

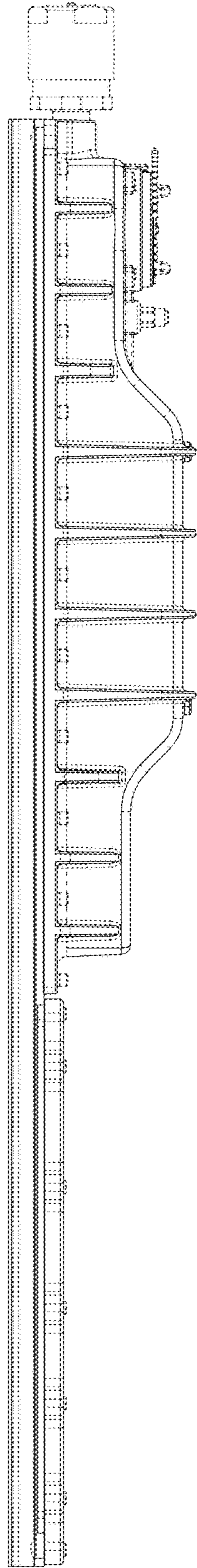
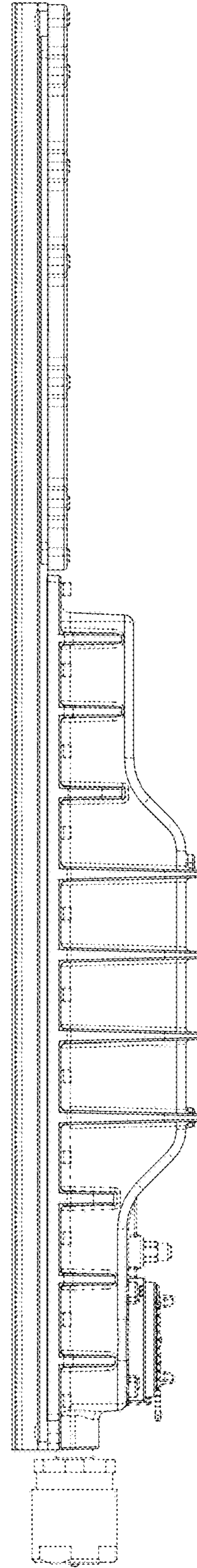


FIG. 3



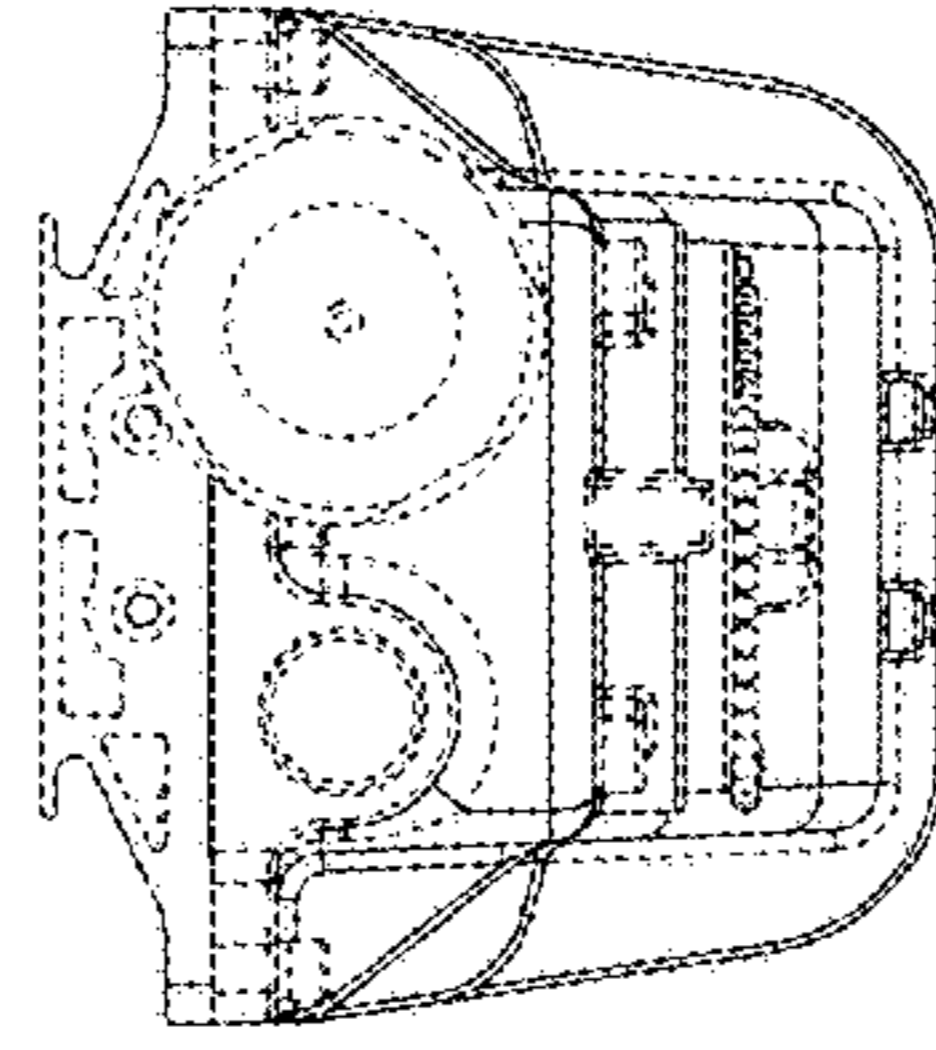


FIG. 5

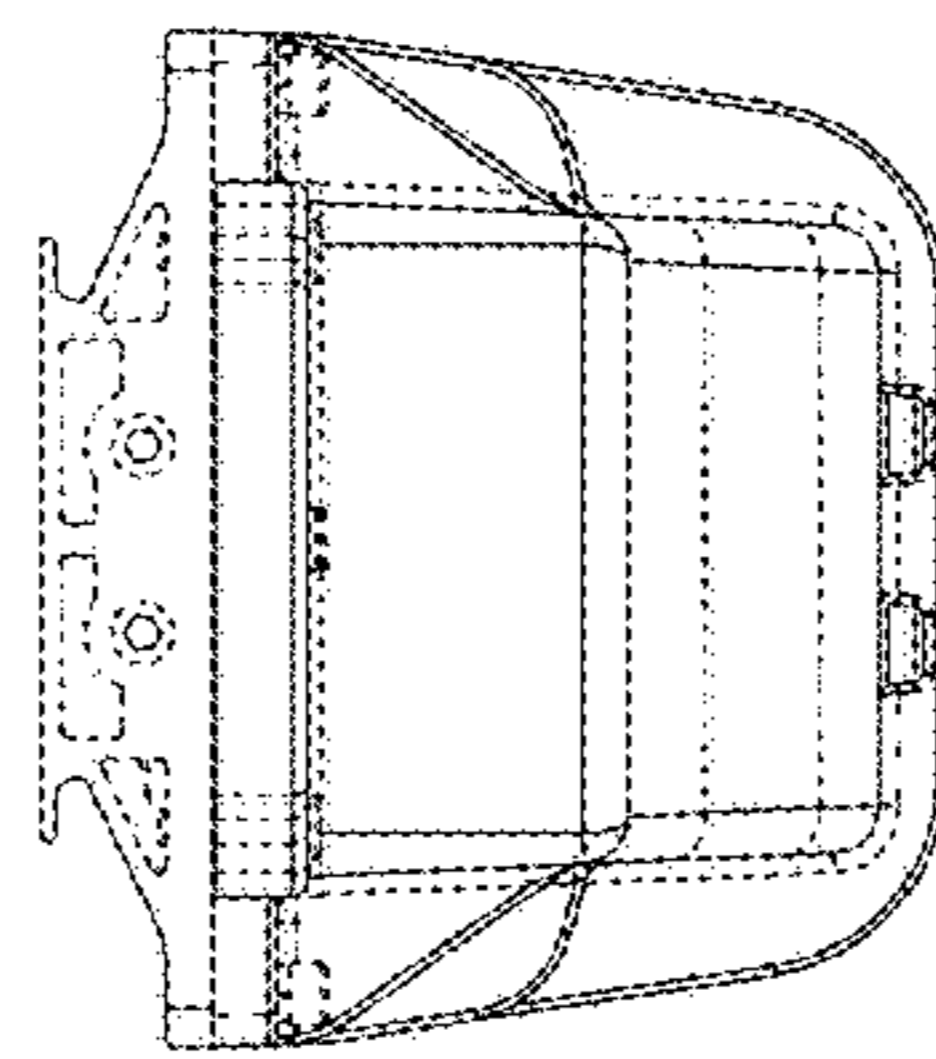


FIG. 4

FIG. 6

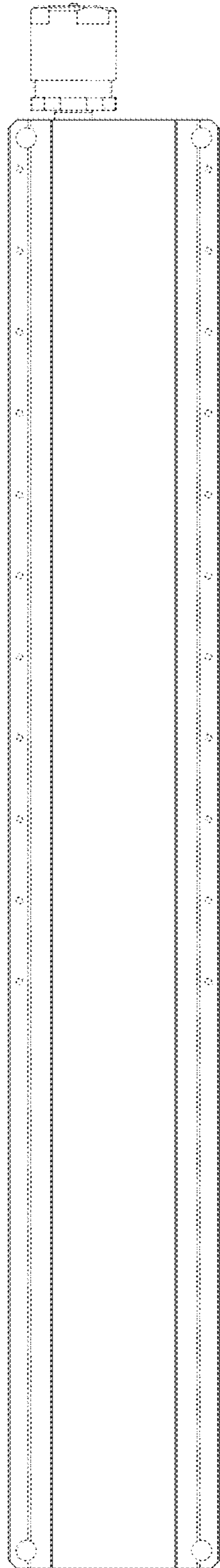
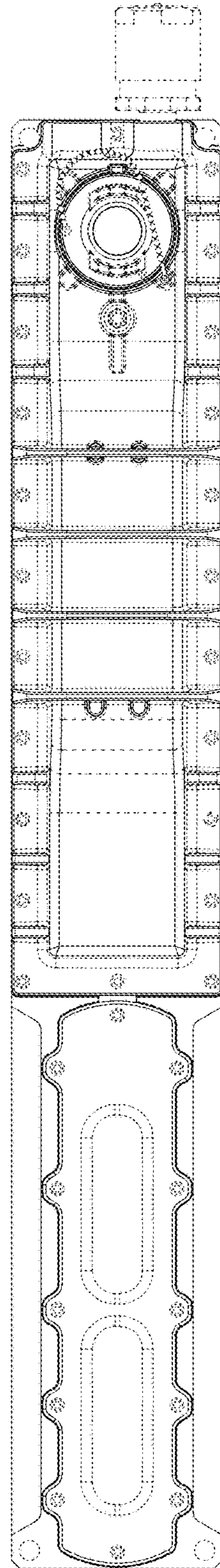


FIG. 7



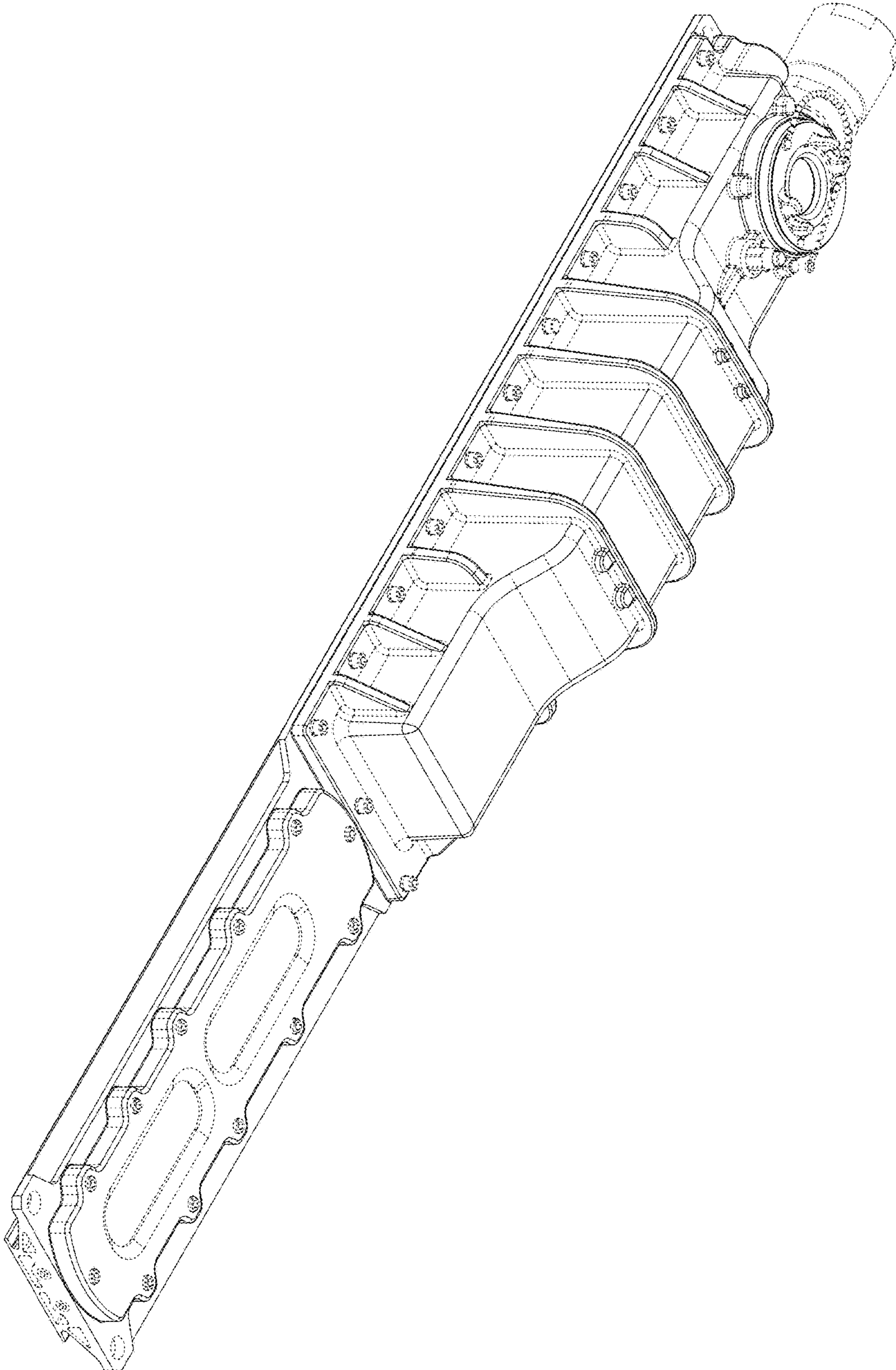


FIG. 8