

US00D841859S

(12) **United States Design Patent** (10) **Patent No.:** **US D841,859 S**  
**Yu** (45) **Date of Patent:** **\*\* Feb. 26, 2019**

(54) **LED HOUSING**  
(71) Applicant: **Chung Han Yu**, City of Industry, CA (US)  
(72) Inventor: **Chung Han Yu**, City of Industry, CA (US)  
(\*\*) Term: **15 Years**  
(21) Appl. No.: **29/599,296**  
(22) Filed: **Mar. 31, 2017**  
(51) **LOC (11) Cl.** ..... **26-03**  
(52) **U.S. Cl.**  
USPC ..... **D26/72; D26/85**  
(58) **Field of Classification Search**  
USPC ..... D26/72, 85, 87, 92, 118, 120, 122, 138, D26/142, 145, 155  
CPC .... F21S 8/03; F21S 8/033; F21S 8/035; F21S 8/036; F21S 8/037; F21V 1/146; F21V 3/0409; F21V 7/041; F21V 7/043; F21V 7/045; F21V 7/046; F21V 7/05; F21V 7/06  
See application file for complete search history.

D739,068 S \* 9/2015 Bryant ..... D26/82  
D753,864 S \* 4/2016 Dungan ..... D26/85  
D774,681 S \* 12/2016 Liang ..... D26/72  
D800,943 S \* 10/2017 Shundong ..... D26/85  
D819,255 S \* 5/2018 Kollarits ..... D26/85  
D825,813 S \* 8/2018 Xiang ..... D26/85  
D826,455 S \* 8/2018 Moon ..... D26/85  
D827,183 S \* 8/2018 Sonneman ..... D26/85

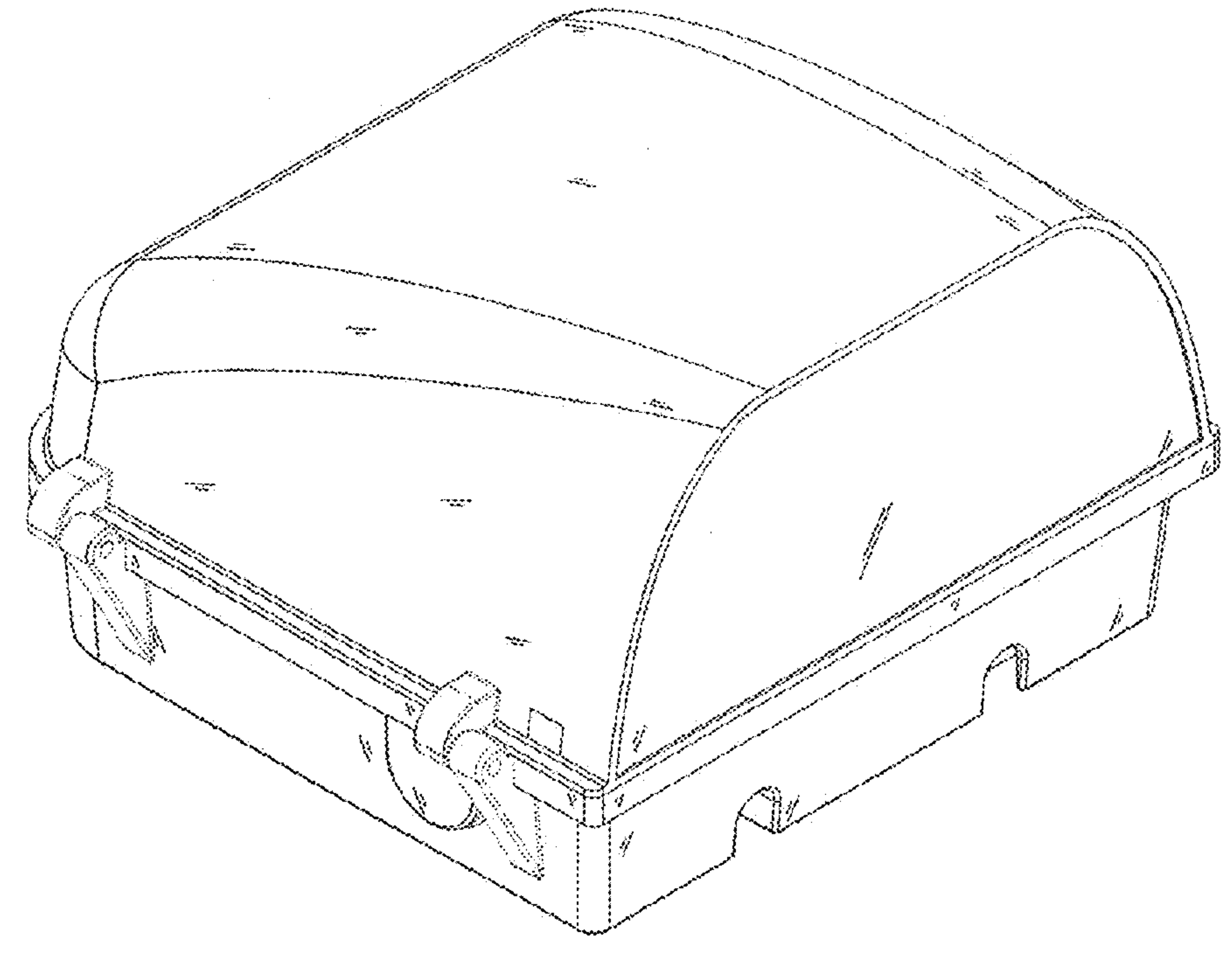
\* cited by examiner  
*Primary Examiner* — Brian N. Vinson  
(74) *Attorney, Agent, or Firm* — Saul Ewing Arnstein & Lehr LLP

(57) **CLAIM**  
The ornamental design for an LED housing, as shown and described.

**DESCRIPTION**  
FIG. 1 is a left, bottom and front perspective view of an LED housing showing my new design;  
FIG. 2 is a left side elevational view thereof;  
FIG. 3 is a right side elevational view thereof;  
FIG. 4 is a top plan view thereof;  
FIG. 5 is a bottom plan view thereof;  
FIG. 6 is a front elevational view thereof;  
FIG. 7 is a bottom plan view thereof; and,  
FIG. 8 is a top, rear, and right side perspective view thereof.  
The broken line disclosure represents portions of the housing which form no part of the claimed design.

(56) **References Cited**  
U.S. PATENT DOCUMENTS  
D653,377 S \* 1/2012 Guercio ..... D26/85  
D691,320 S \* 10/2013 Guercio ..... D26/118

**1 Claim, 5 Drawing Sheets**



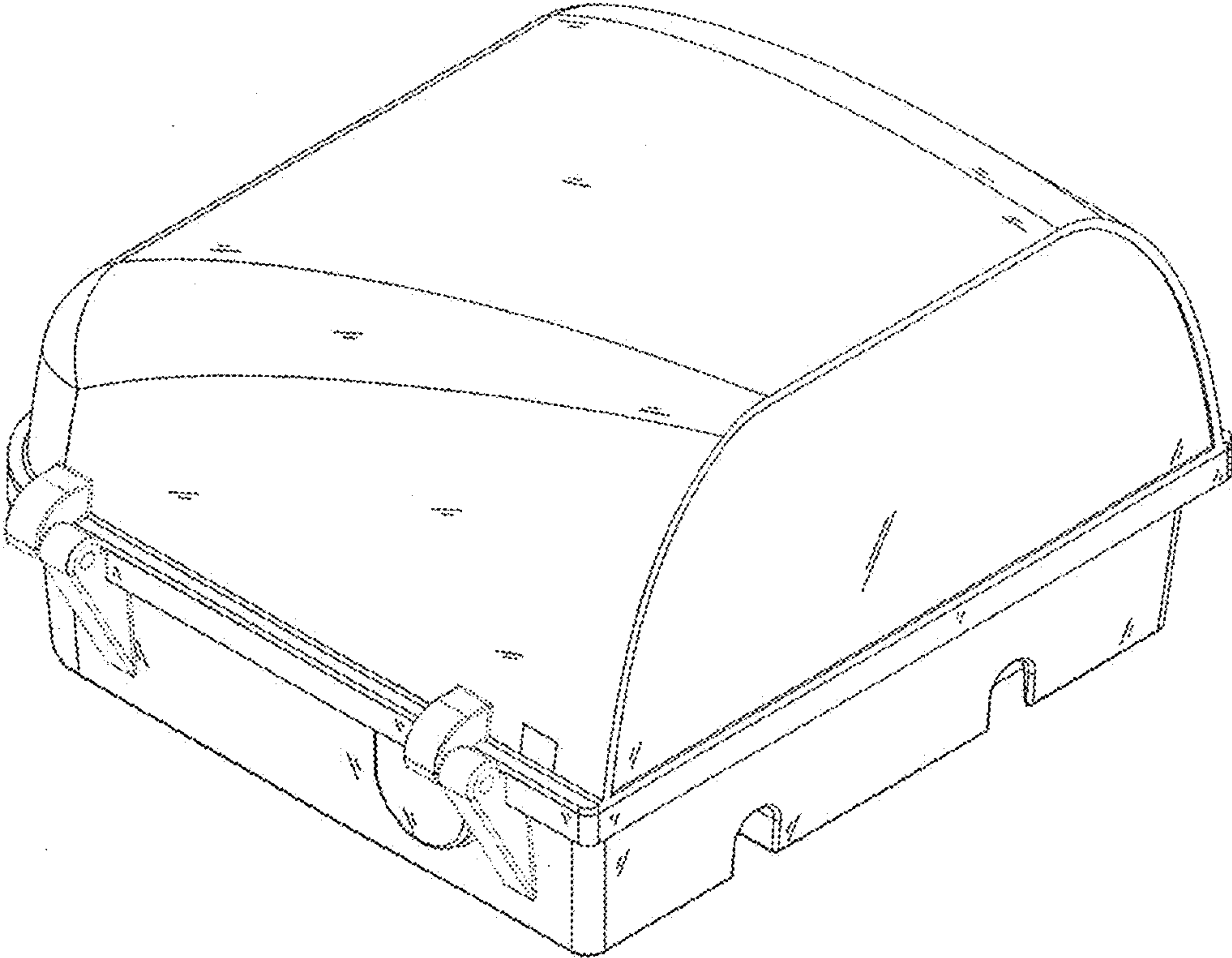


FIG. 1

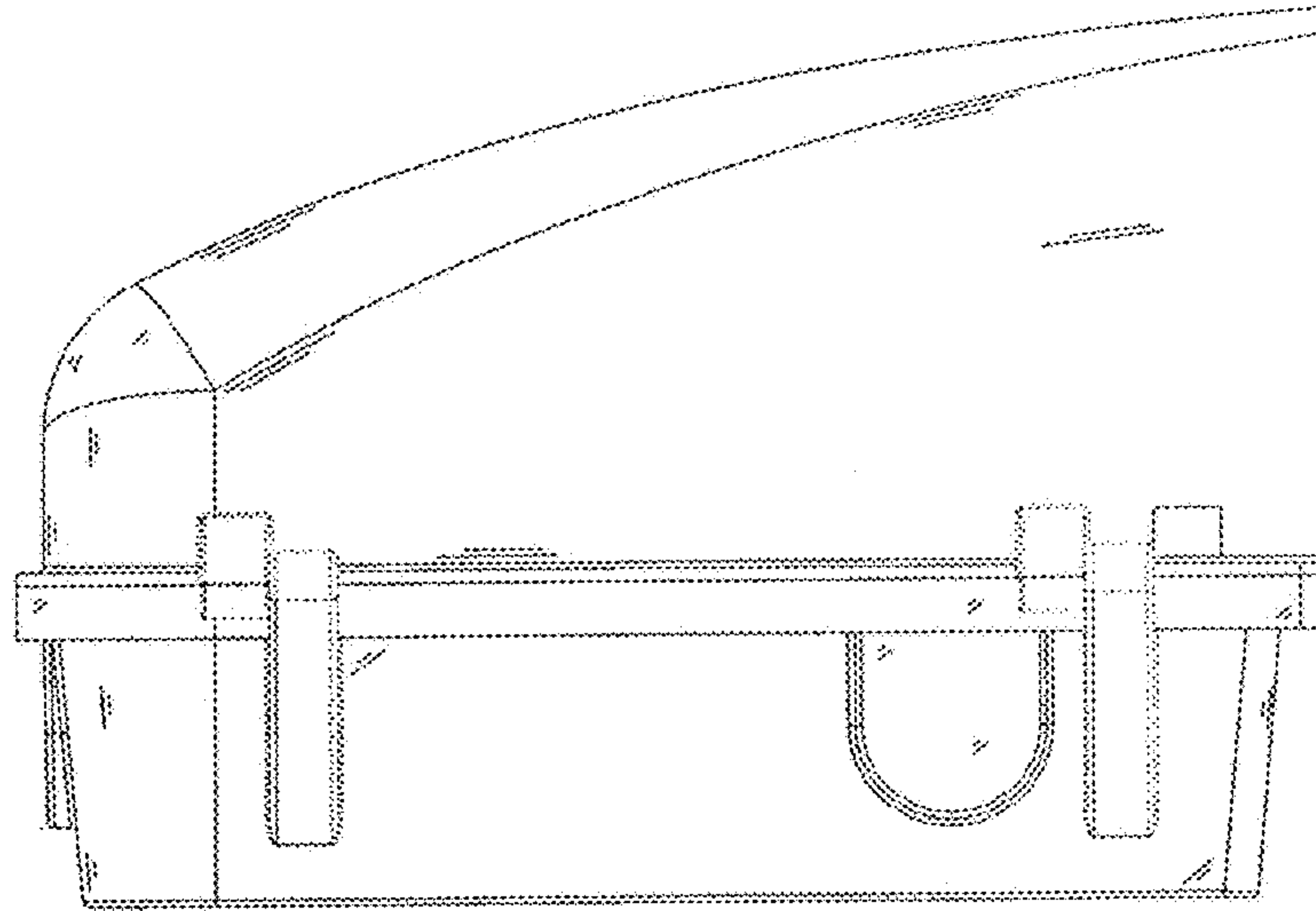


FIG. 2

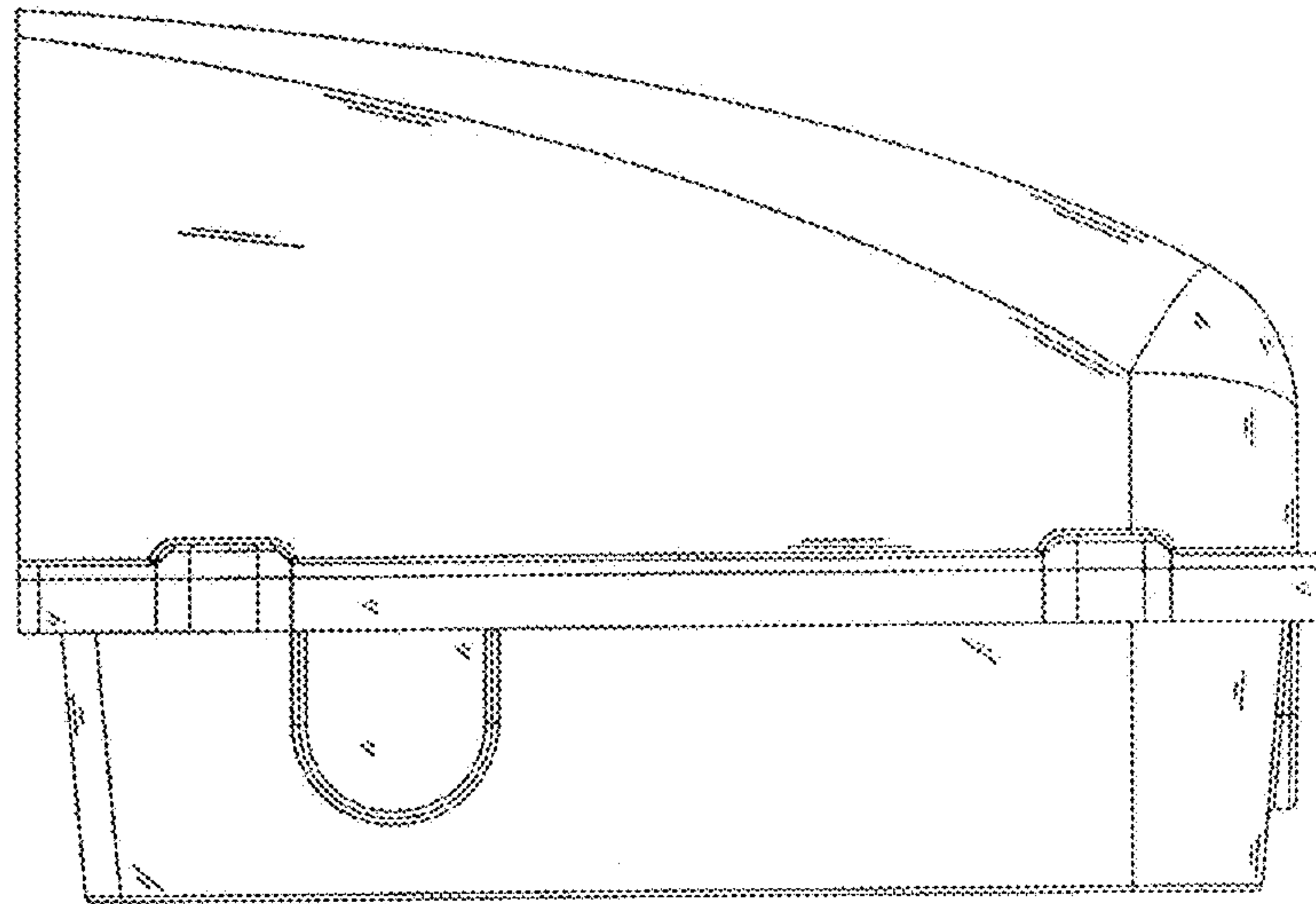


FIG. 3

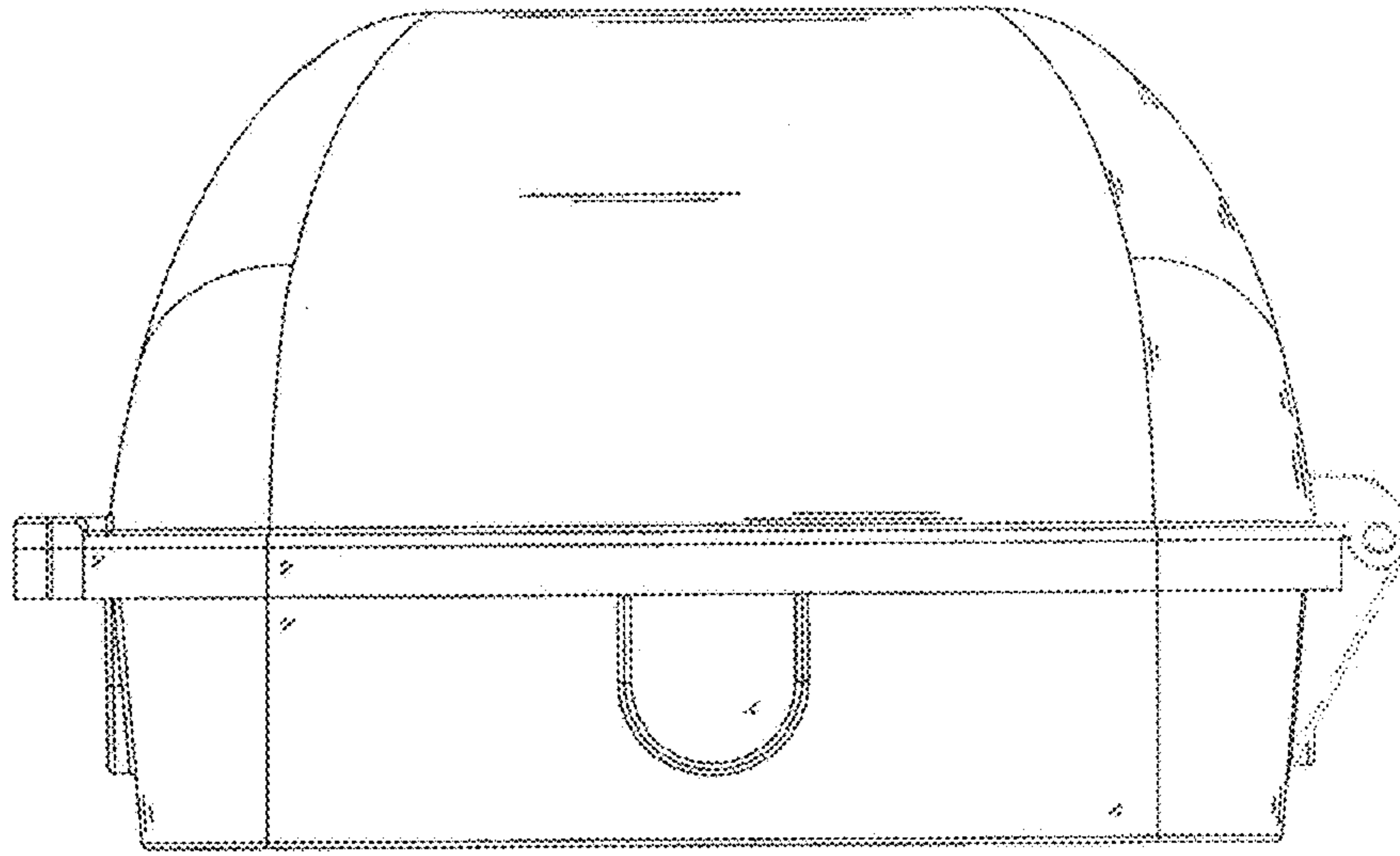


FIG. 4

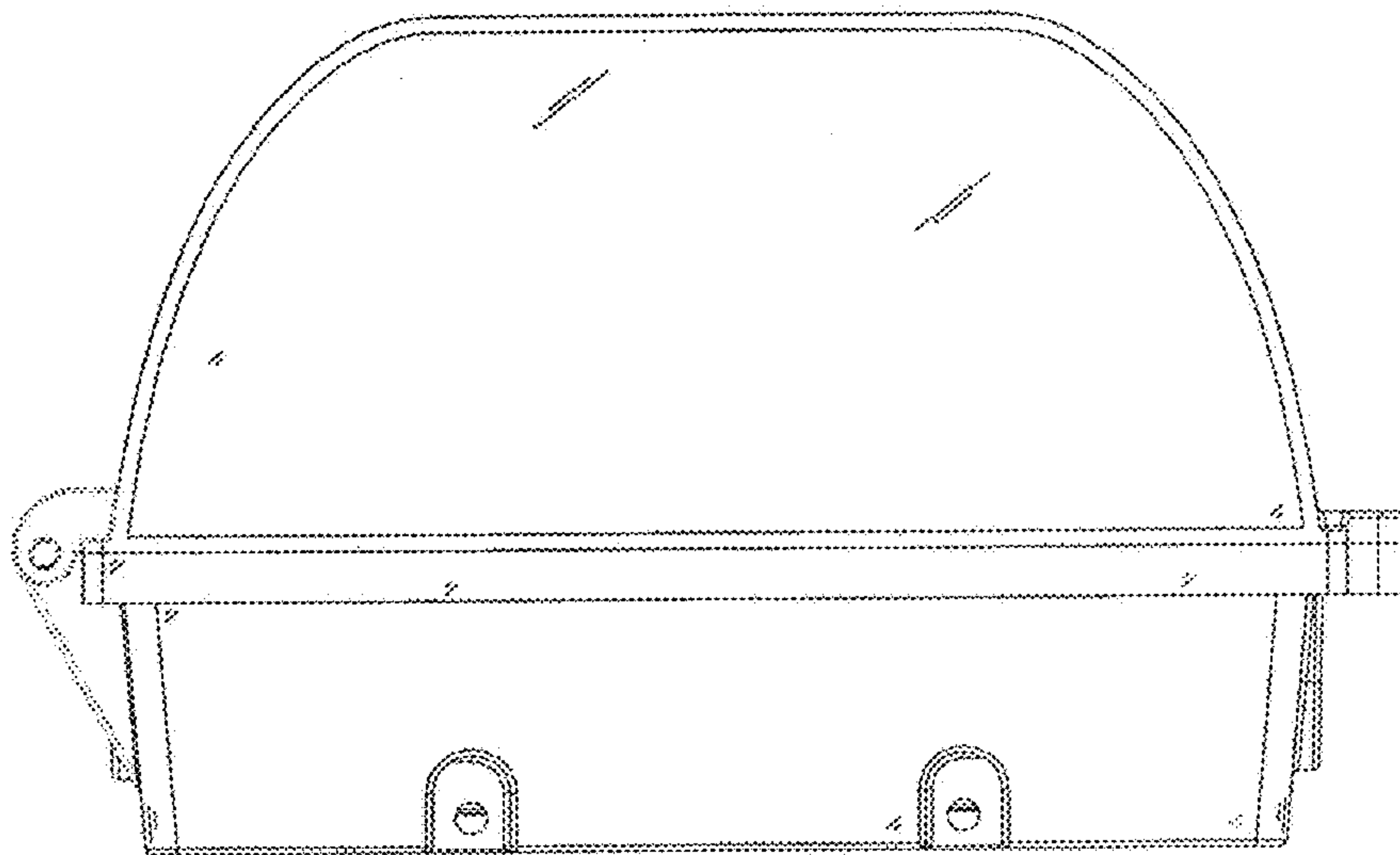


FIG. 5



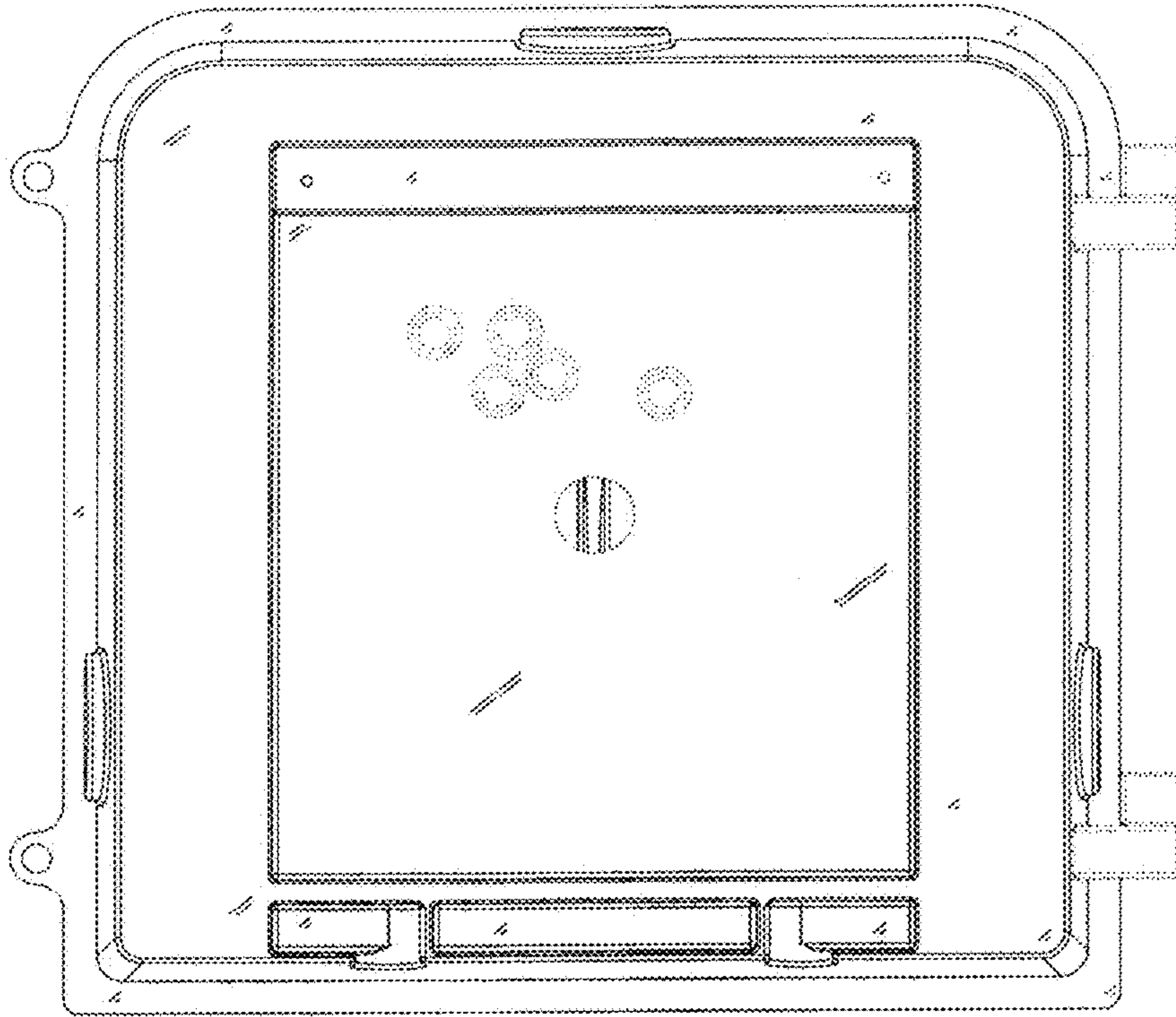


FIG. 6

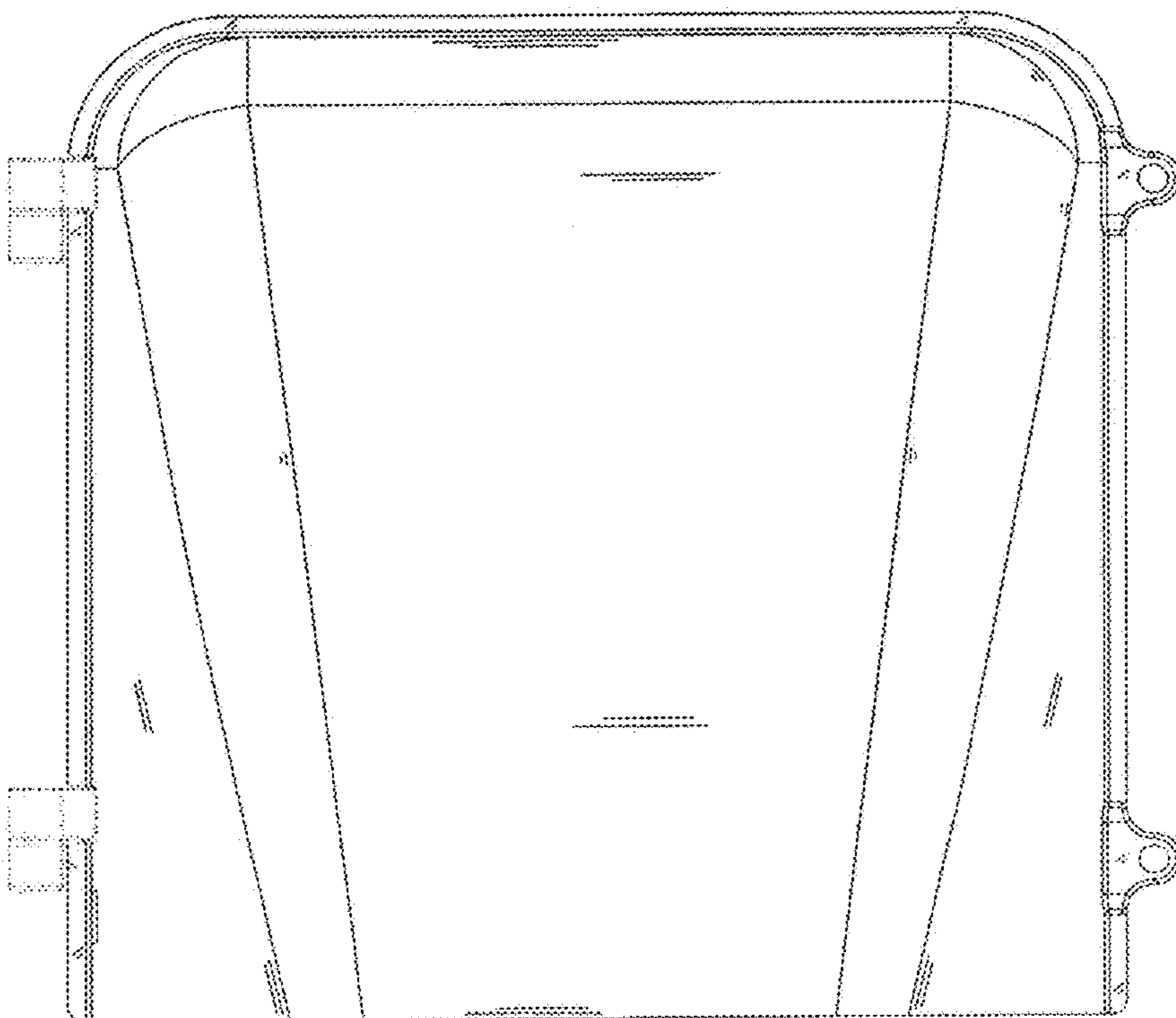


FIG. 7

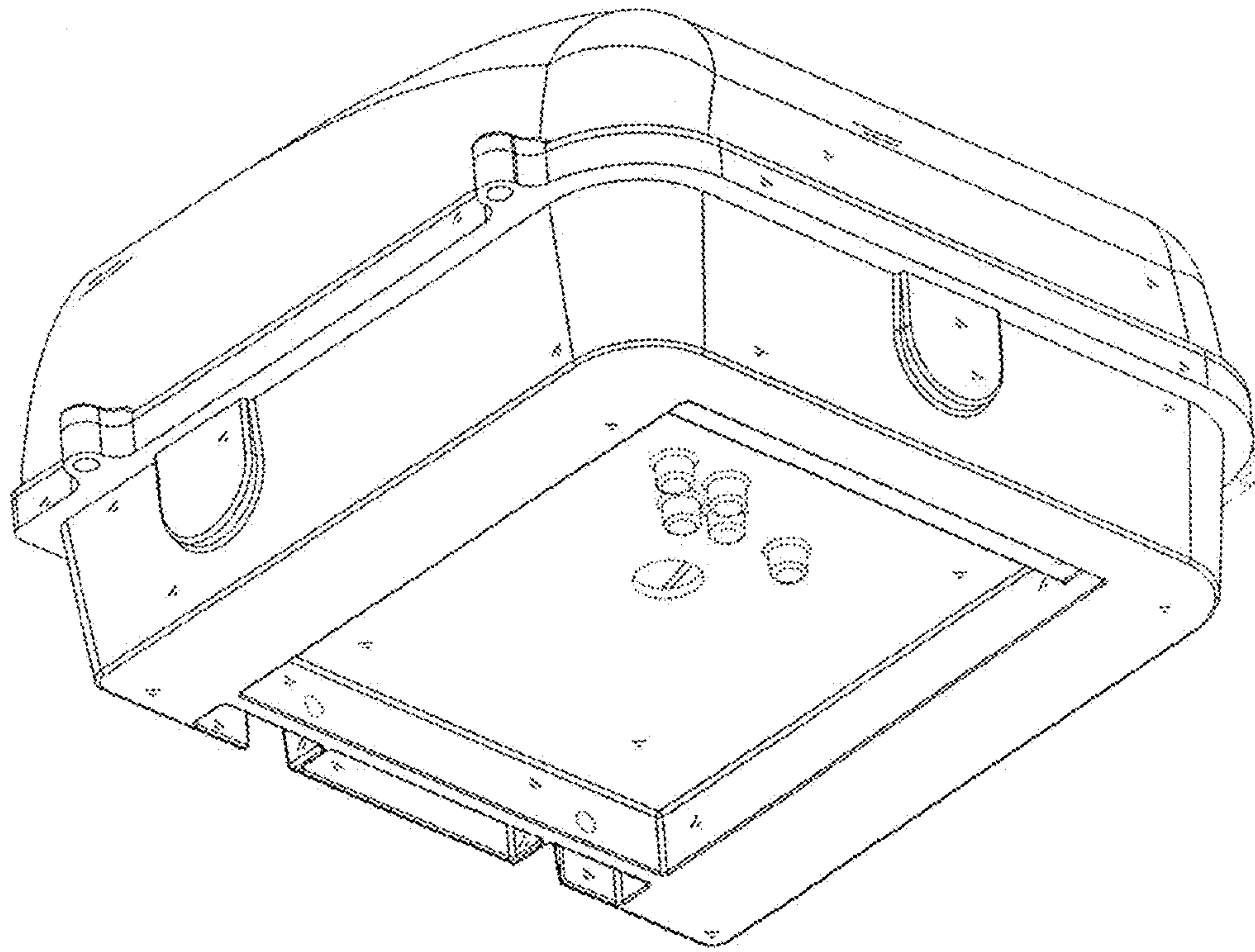


FIG. 8