



US00D841855S

(12) **United States Design Patent** (10) **Patent No.:** **US D841,855 S**
Gordin et al. (45) **Date of Patent:** **** Feb. 26, 2019**

(54) **ADJUSTABLE LIGHTING FIXTURE**

(71) Applicant: **Musco Corporation**, Oskaloosa, IA (US)

(72) Inventors: **Myron Gordin**, Oskaloosa, IA (US);
Luke C. McKee, Oskaloosa, IA (US);
Chris P. Lickiss, Newton, IA (US);
Kenneth G. Lewis, Jr., New Sharon, IA (US)

(73) Assignee: **Musco Corporation**, Oskaloosa, IA (US)

(**) Term: **15 Years**

(21) Appl. No.: **29/627,873**

(22) Filed: **Nov. 30, 2017**

(51) **LOC (11) Cl.** **26-03**

(52) **U.S. Cl.**
USPC **D26/63**

(58) **Field of Classification Search**
USPC D26/60-66, 72, 85, 87, 92
CPC . F21K 9/00; F21V 5/007; F21V 7/005; F21V 7/0083; F21V 11/04; F21V 11/14; F21V 15/01; F21V 19/001; F21V 21/002; F21V 21/06; F21V 21/0885; F21V 21/145; F21V 21/30; F21V 33/0024; F21V 7/05
See application file for complete search history.

(56) **References Cited**

U.S. PATENT DOCUMENTS

D391,382 S * 2/1998 Rahn D26/63
D411,025 S * 6/1999 Rahn D26/63

D472,339 S * 3/2003 Russello D26/63
7,997,761 B2 * 8/2011 Peck F21V 21/30
362/249.02
8,789,967 B2 * 7/2014 Gordin F21V 7/05
362/223
D771,854 S * 11/2016 Gordin D26/63
D808,053 S * 1/2018 Gordin D26/63
D809,693 S * 2/2018 Wan D26/63

* cited by examiner

Primary Examiner — Brian N. Vinson

(74) *Attorney, Agent, or Firm* — Jessica R. Boer

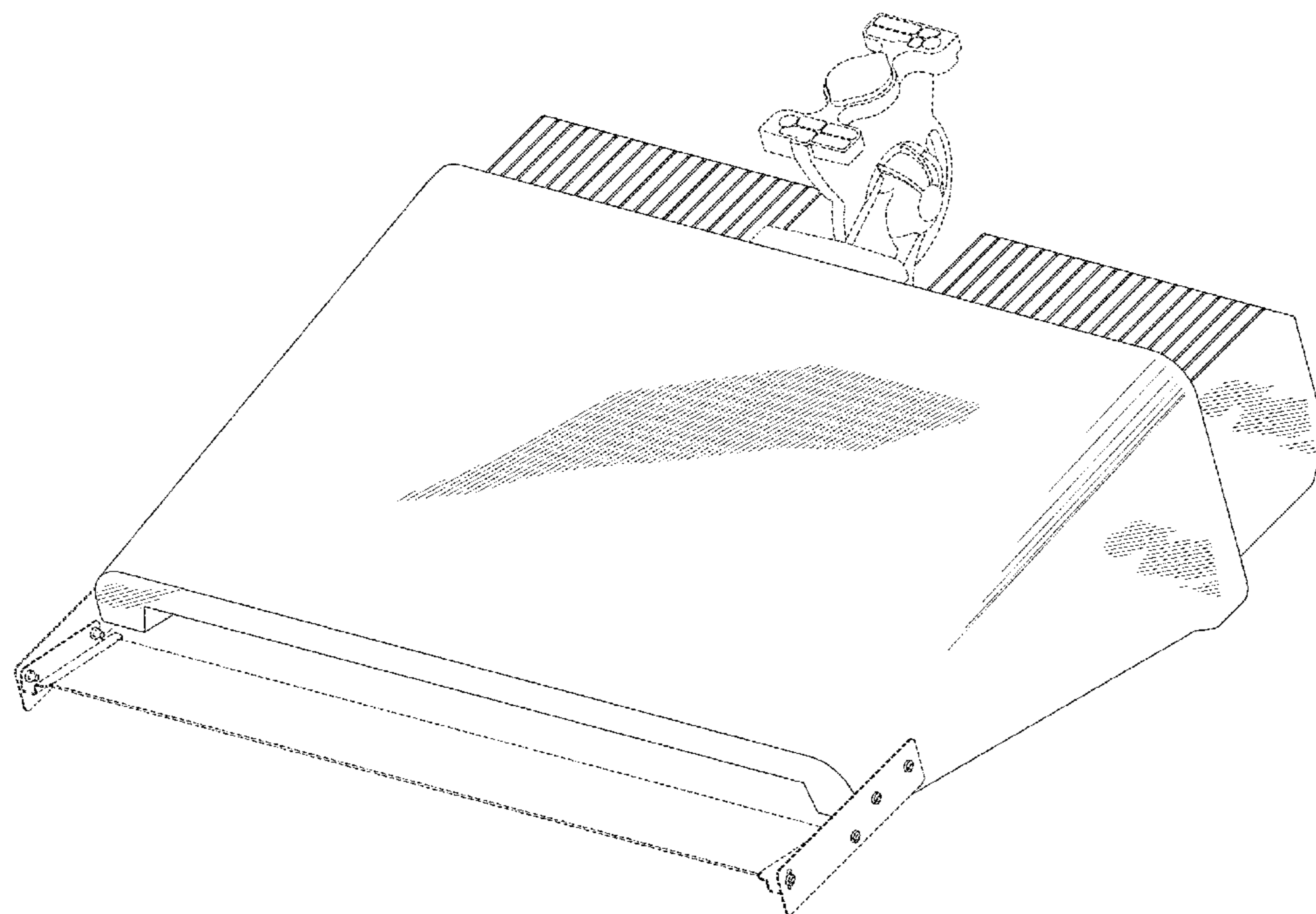
(57) **CLAIM**

The ornamental design for an adjustable lighting fixture, as shown and described.

DESCRIPTION

FIG. 1 is a perspective view of the claimed design;
FIG. 2 is an alternative perspective view of the claimed design;
FIG. 3 is a front elevation view of FIG. 1;
FIG. 4 is a back elevation view of FIG. 1;
FIG. 5 is a right side elevation of FIG. 1;
FIG. 6 is a left side elevation of FIG. 1;
FIG. 7 is a top plan view of FIG. 1; and,
FIG. 8 is a bottom plan view of FIG. 1.
The broken lines show portions of an adjustable lighting fixture that form no part of the claimed design.

1 Claim, 8 Drawing Sheets



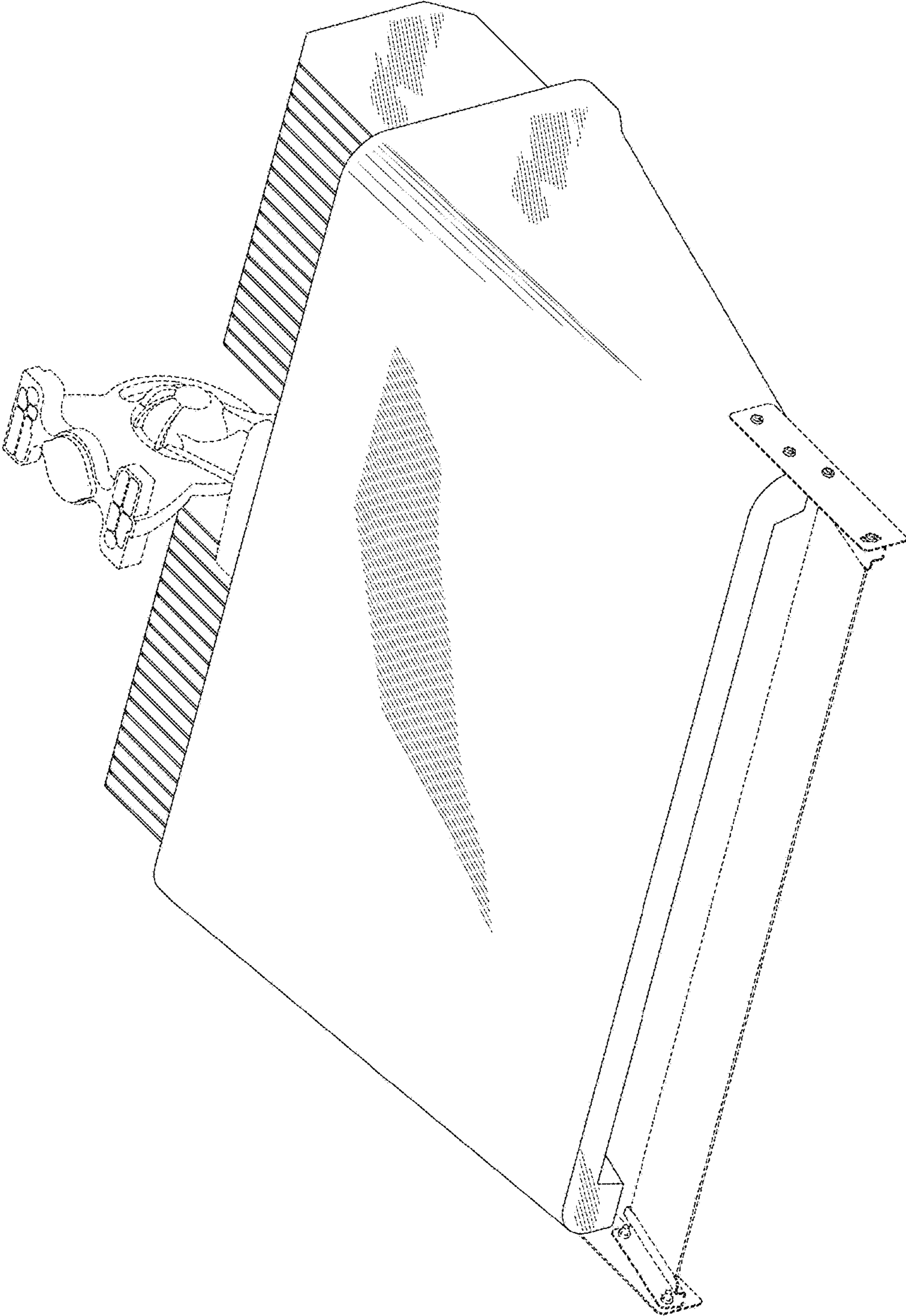


Figure 1

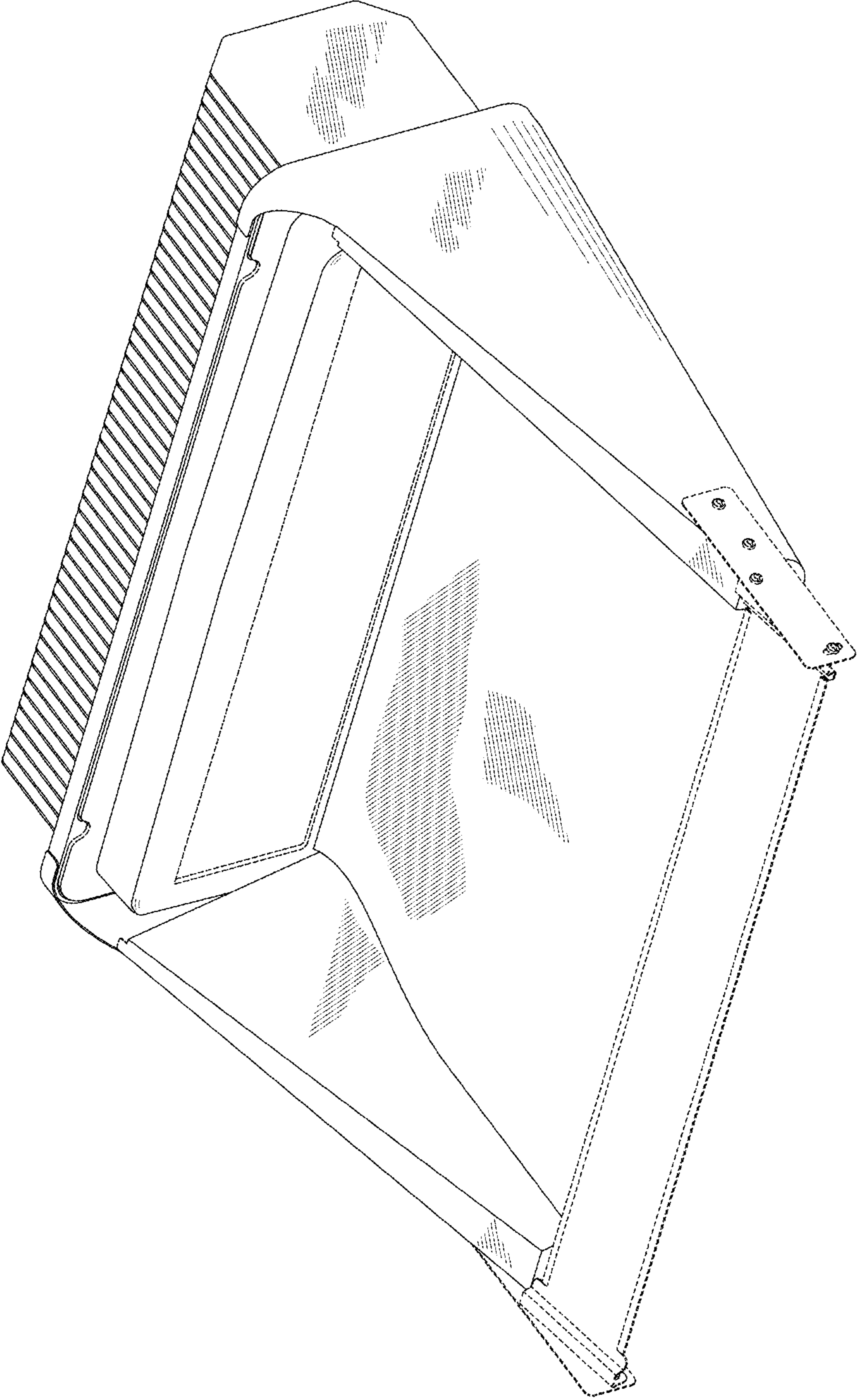


Figure 2

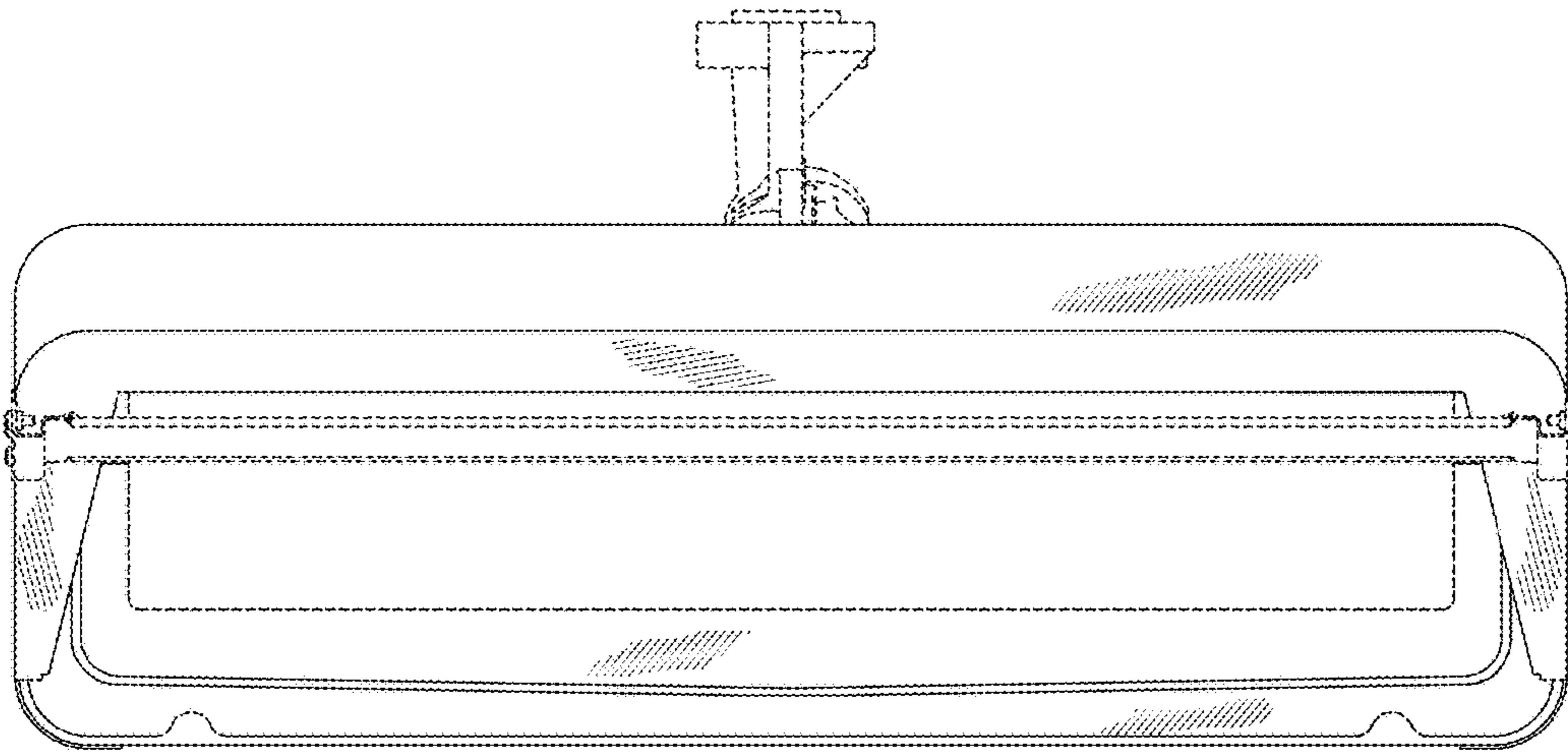


Figure 3

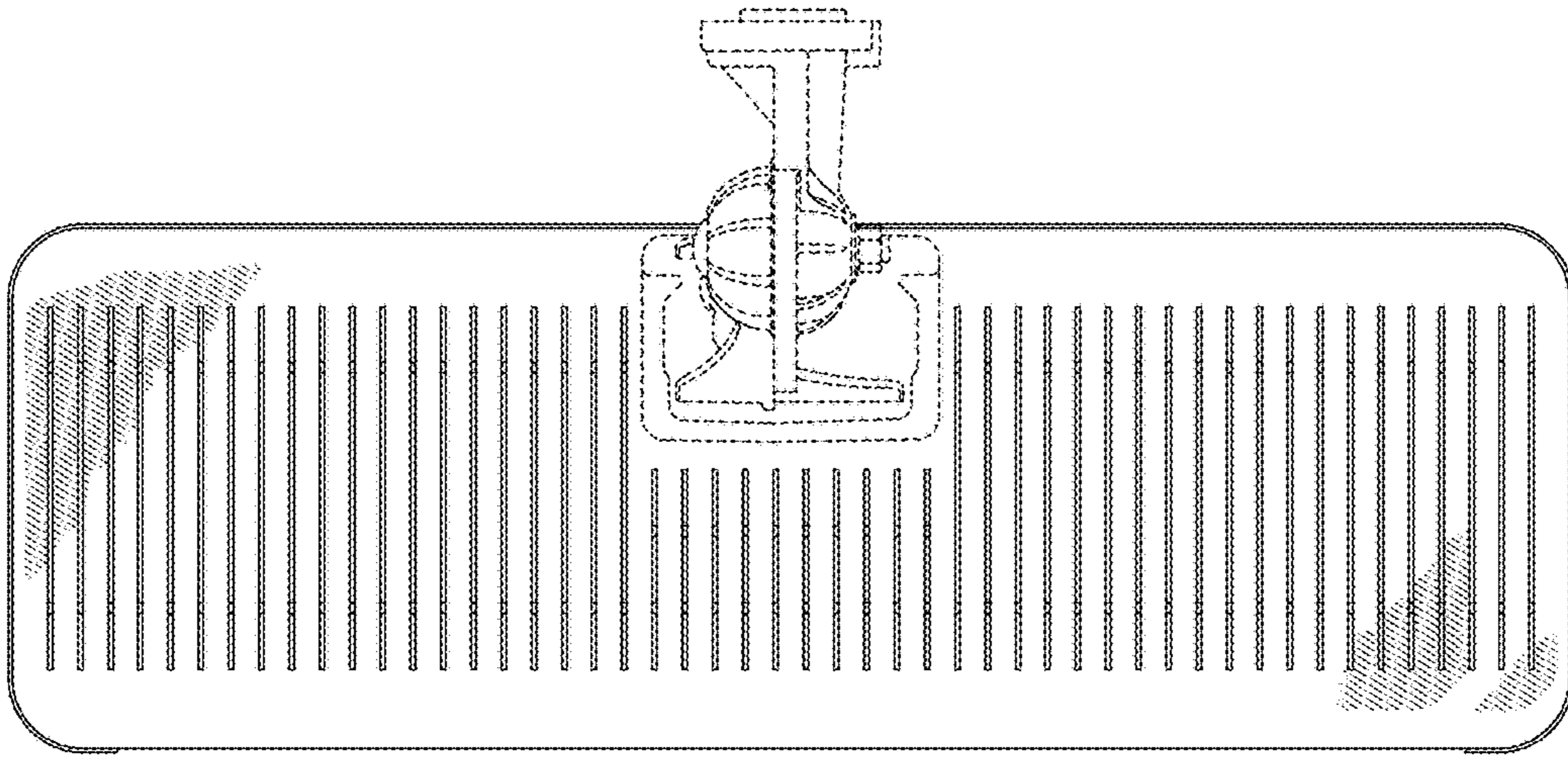


Figure 4

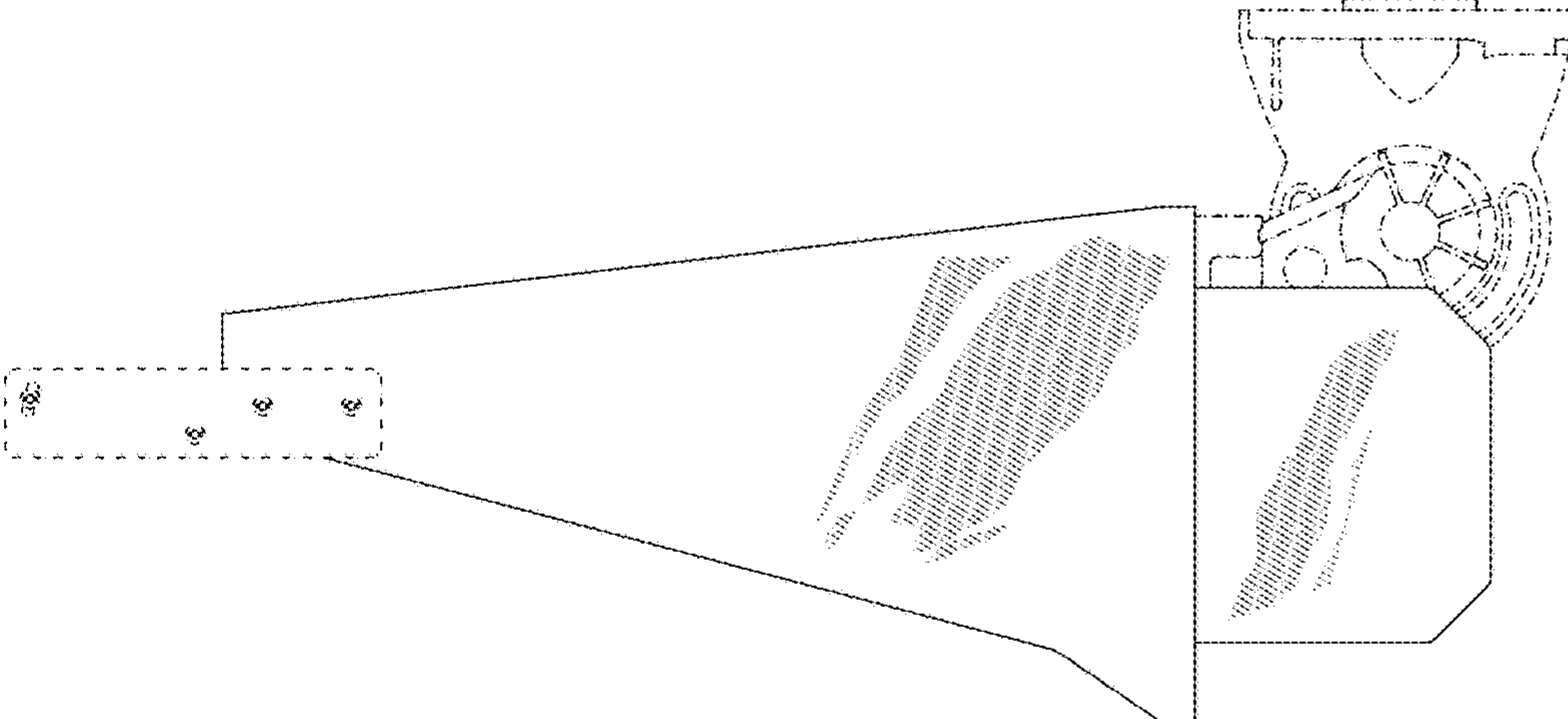


Figure 5

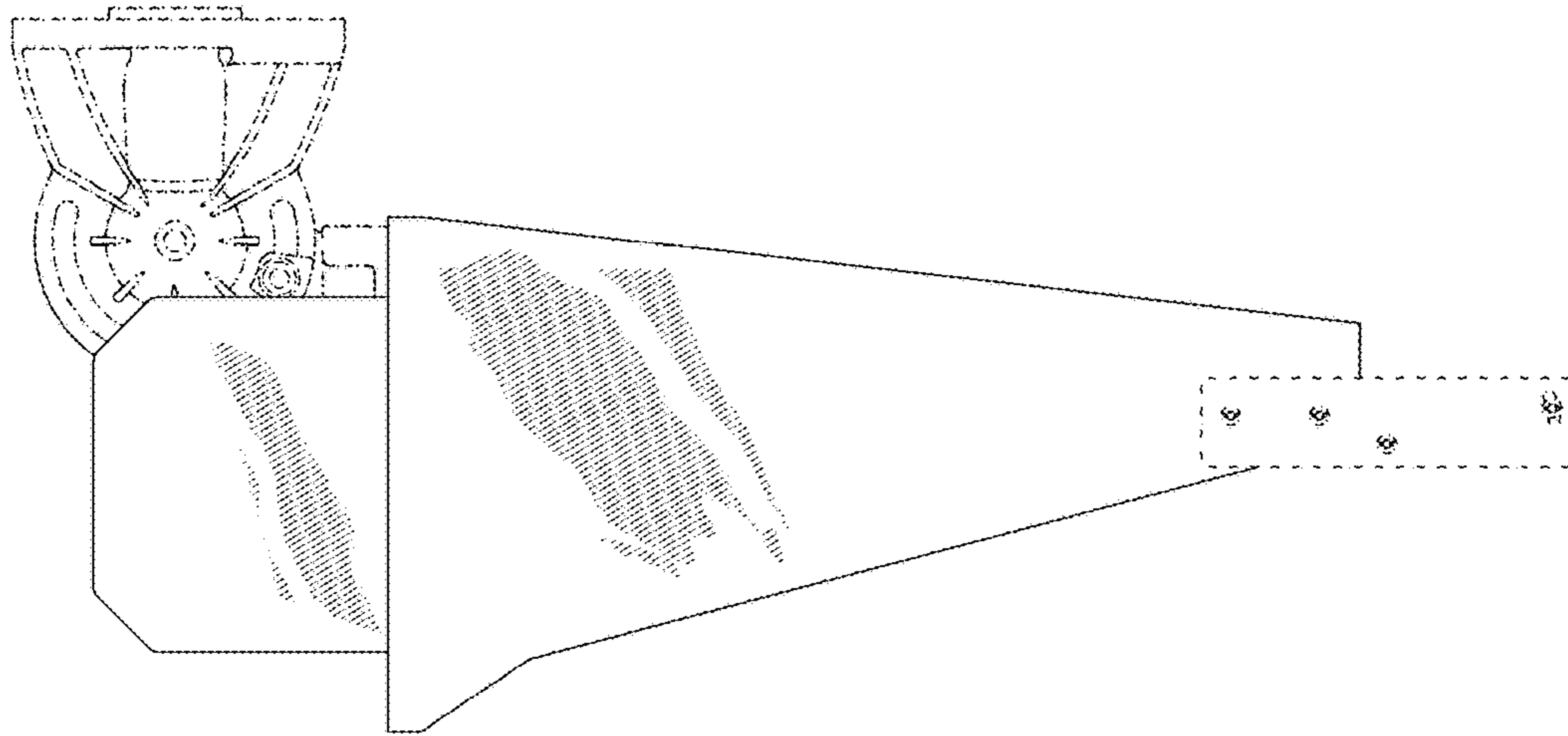


Figure 6

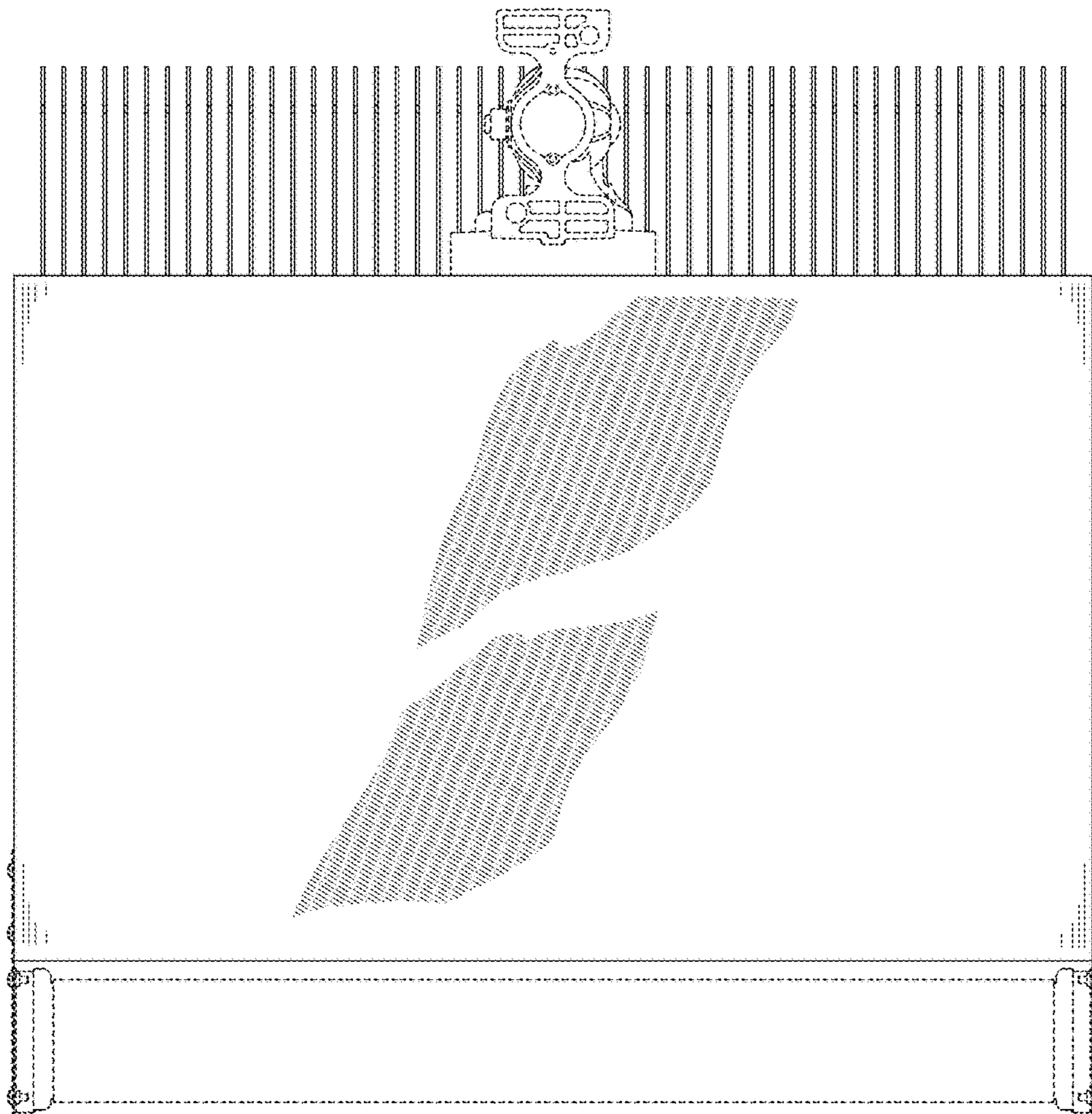


Figure 7

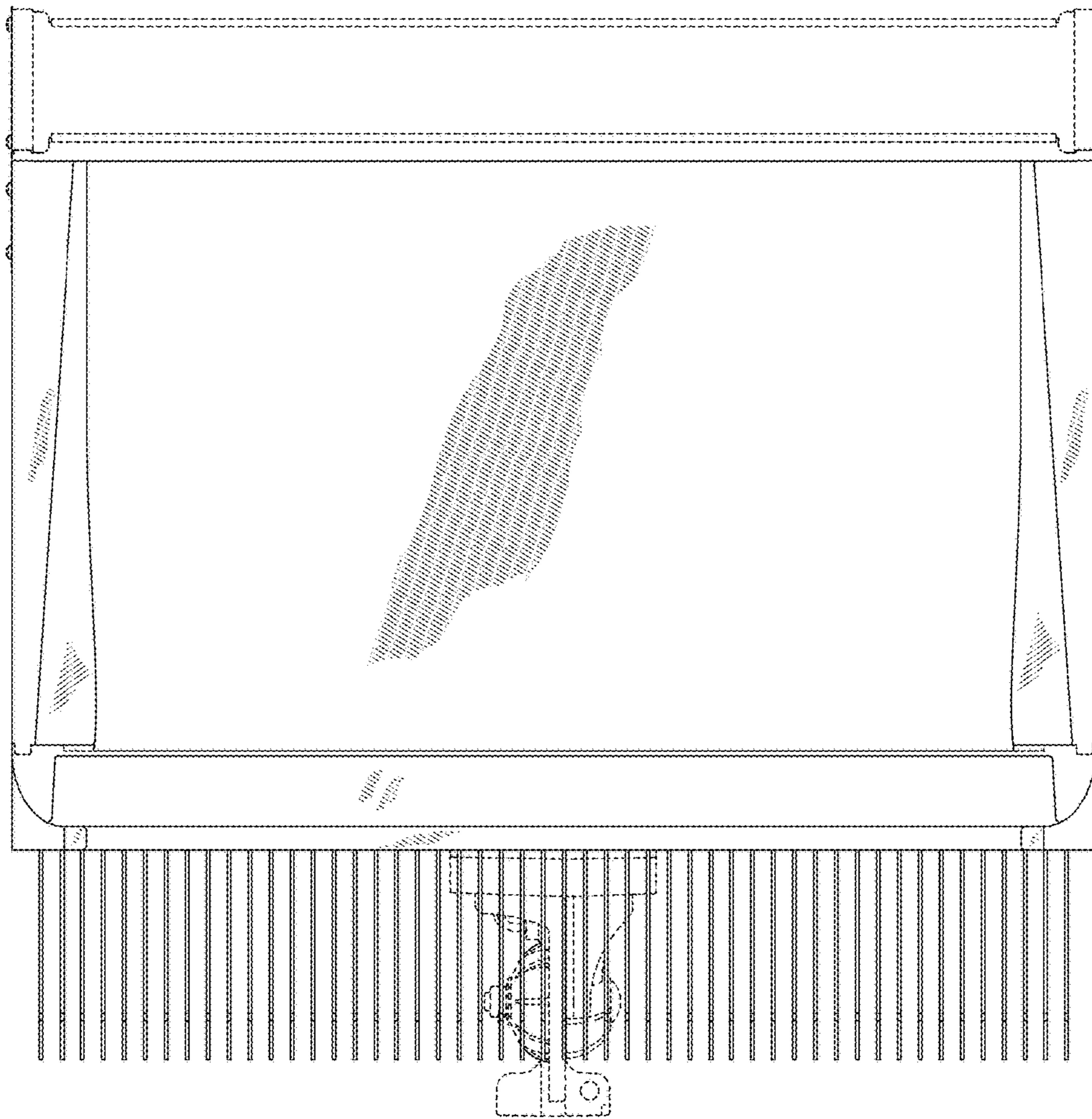


Figure 8