



US00D841853S

(12) **United States Design Patent**
Wu

(10) **Patent No.:** **US D841,853 S**

(45) **Date of Patent:** **** Feb. 26, 2019**

- (54) **LED WORK LIGHT ASSEMBLY**
- (71) Applicant: **Jiasheng Wu**, Reading, MA (US)
- (72) Inventor: **Jiasheng Wu**, Reading, MA (US)
- (**) Term: **15 Years**
- (21) Appl. No.: **29/623,157**
- (22) Filed: **Oct. 23, 2017**
- (51) **LOC (11) Cl.** **26-03**
- (52) **U.S. Cl.**
USPC **D26/63**
- (58) **Field of Classification Search**
USPC D26/1, 24, 61, 63, 65, 85, 92, 37
CPC F21V 21/14; F21V 15/01; F21V 14/02;
F21V 21/30; F21V 21/00; F21V 14/00;
F21S 8/00; F21S 8/003; F21S 8/043;
F21Y 2105/001
See application file for complete search history.

D679,845 S *	4/2013	Huang	D26/63
D736,442 S *	8/2015	Kovacik	D26/37
D754,383 S *	4/2016	Kovacik	D26/63
D780,969 S *	3/2017	Zhu	D26/63
D796,718 S *	9/2017	Zhou	D26/63

* cited by examiner

Primary Examiner — Brian N. Vinson
(74) *Attorney, Agent, or Firm* — Jie Tan; JT Law Services, PC

(57) **CLAIM**

The ornamental design for an LED work light assembly, as shown and described.

DESCRIPTION

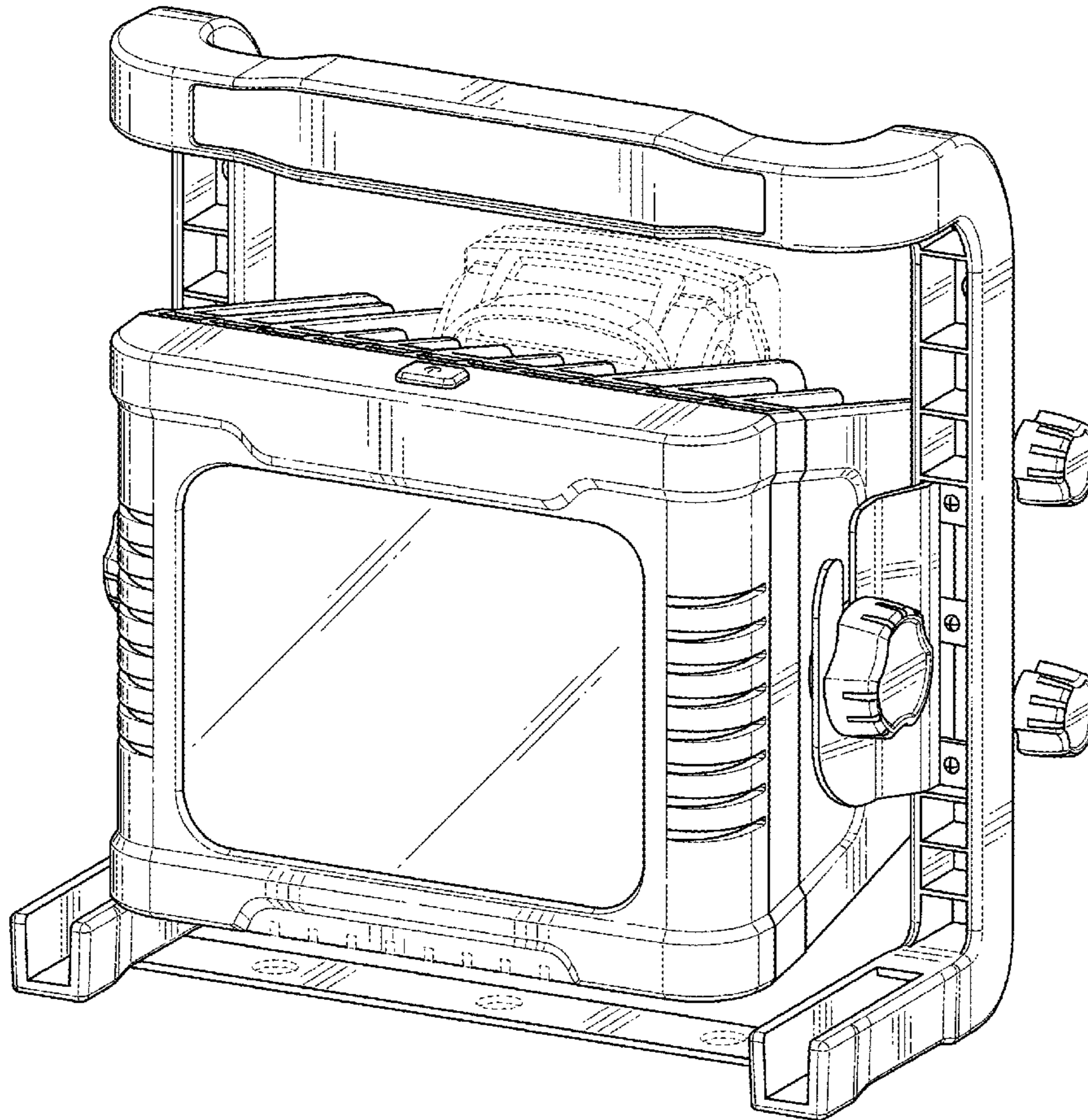
FIG. 1 is a top, front, and right side perspective view of an LED work light assembly showing my new design; FIG. 2 is a top, rear, and left side perspective view thereof; FIG. 3 is a rear elevational view thereof; FIG. 4 is a right side elevational view thereof; FIG. 5 is a left side elevational view thereof; FIG. 6 is a top plan view thereof; and, FIG. 7 is a bottom plan view thereof. The broken line disclosure of a power tool battery on the rear of the assembly forms no part of the claimed design.

(56) **References Cited**

U.S. PATENT DOCUMENTS

D403,094 S *	12/1998	Grossman	D26/63
D593,236 S *	5/2009	Ng	D26/37

1 Claim, 7 Drawing Sheets



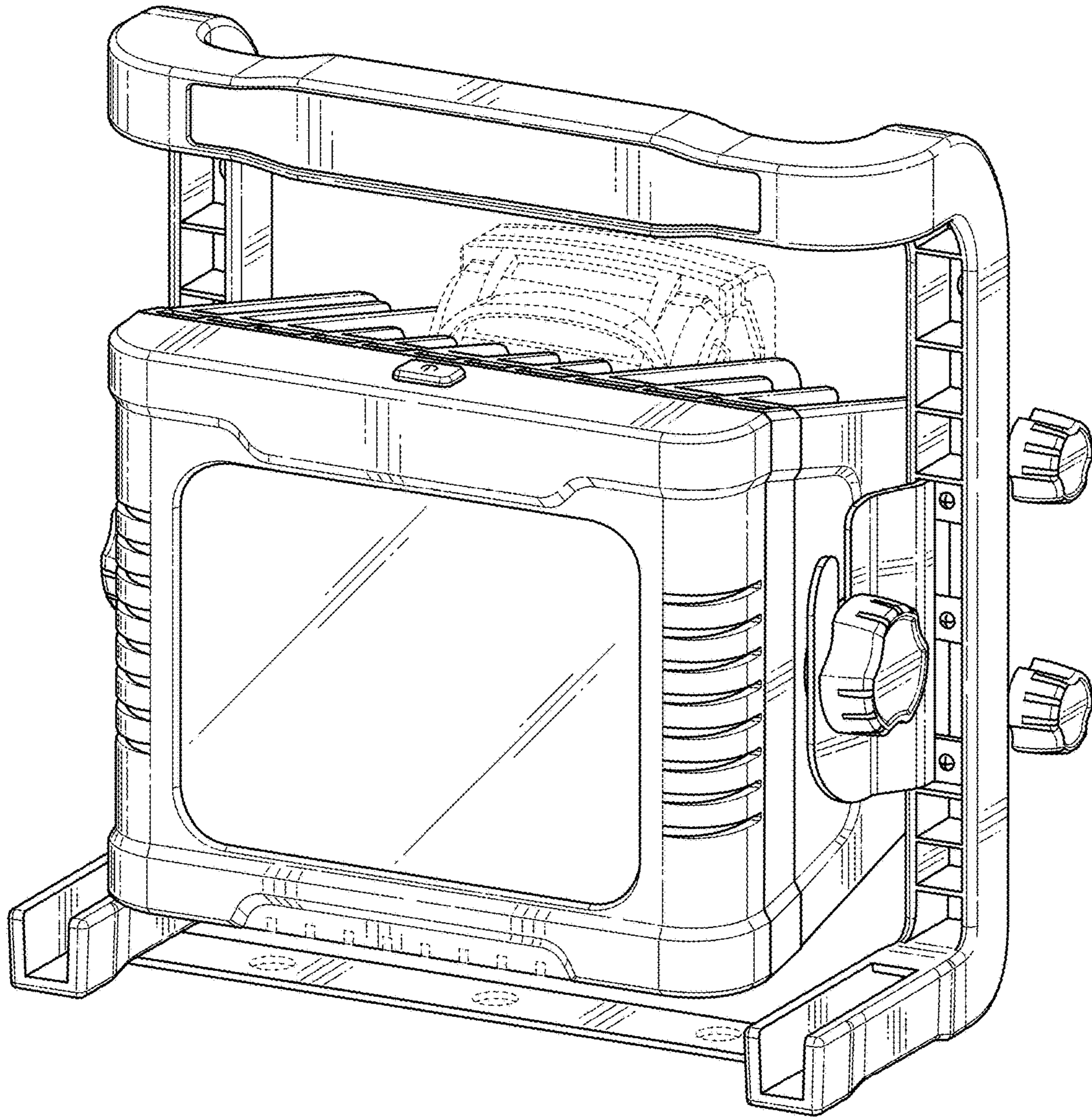


FIG. 1

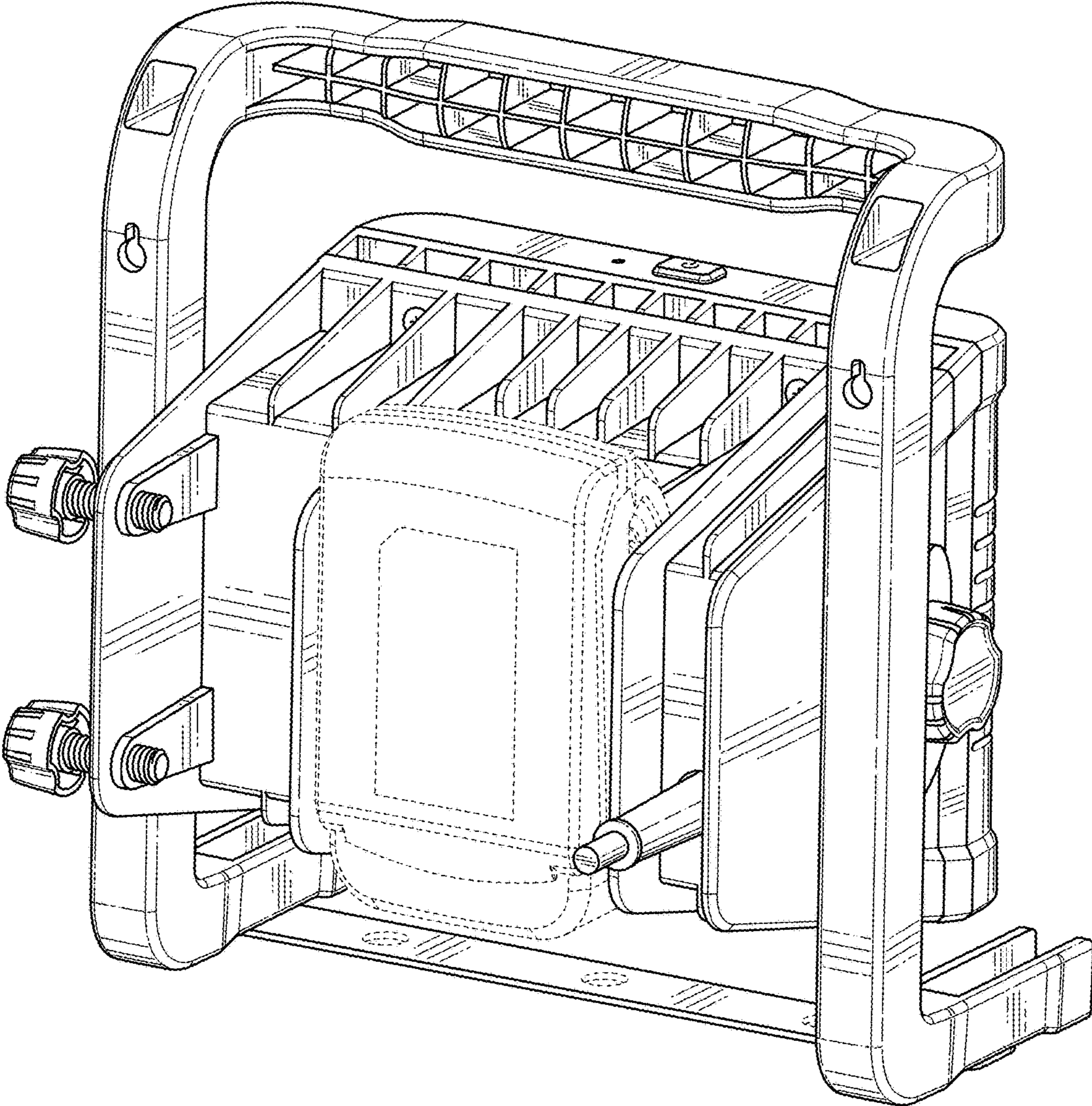


FIG. 2

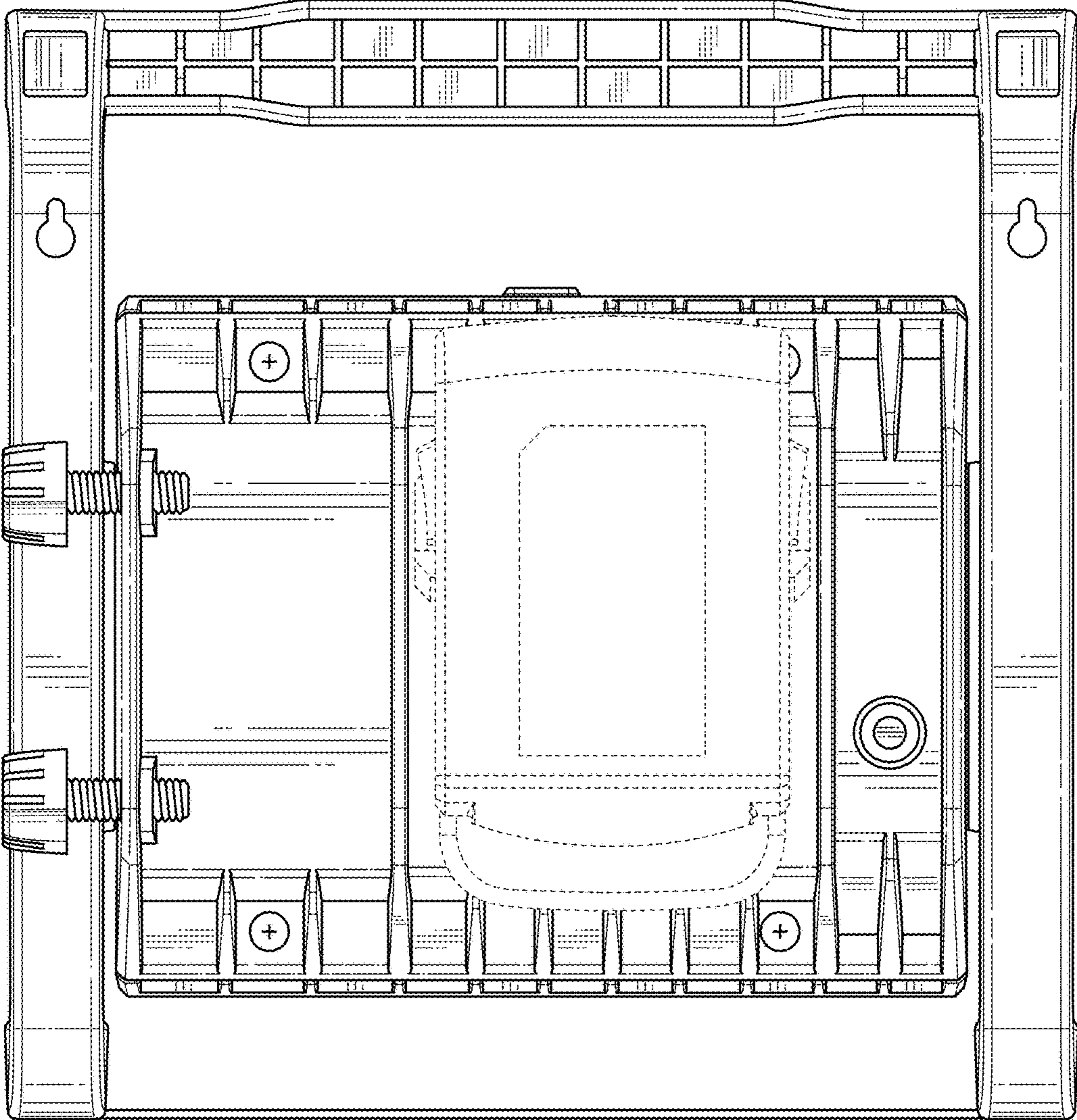


FIG. 3

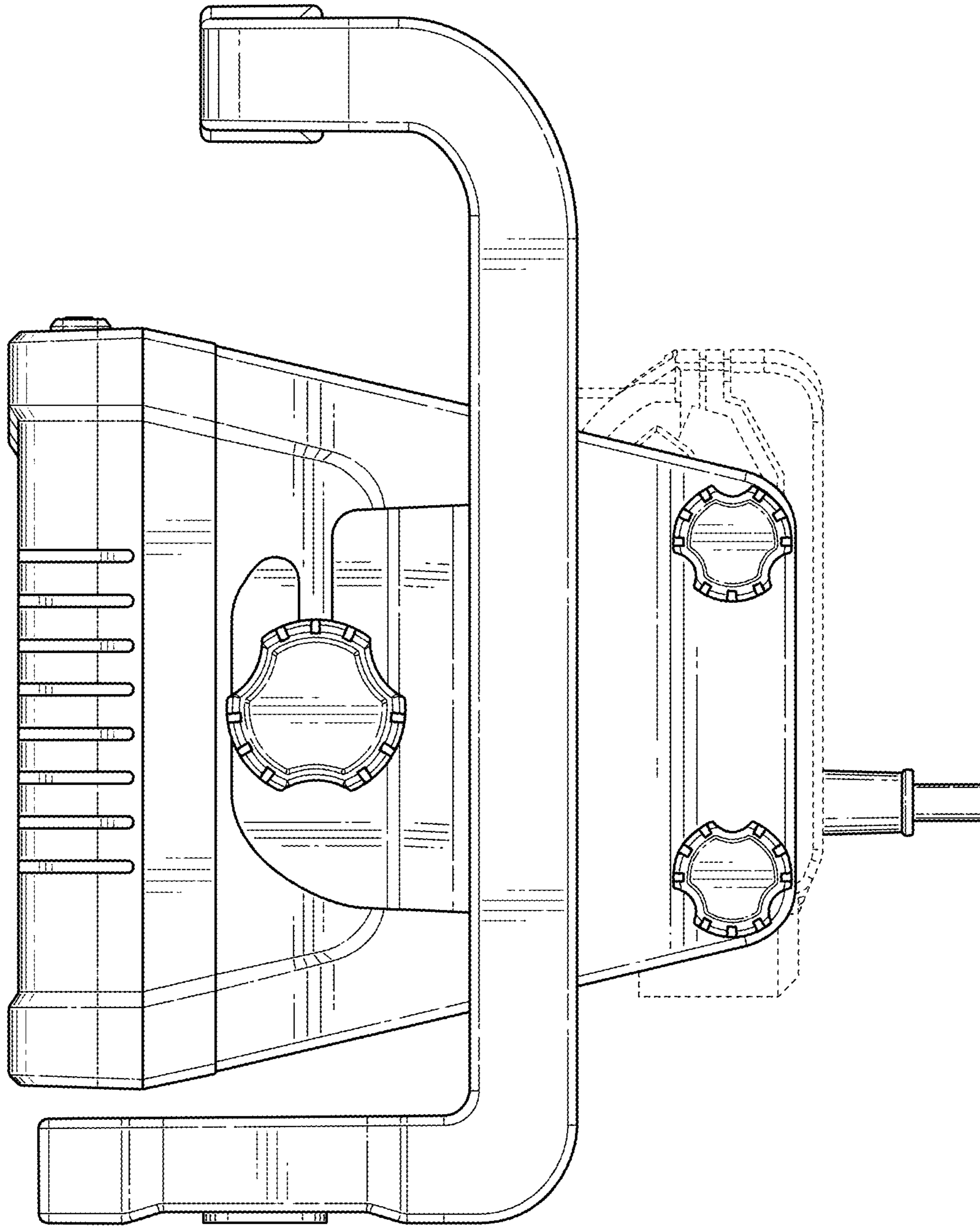


FIG. 4

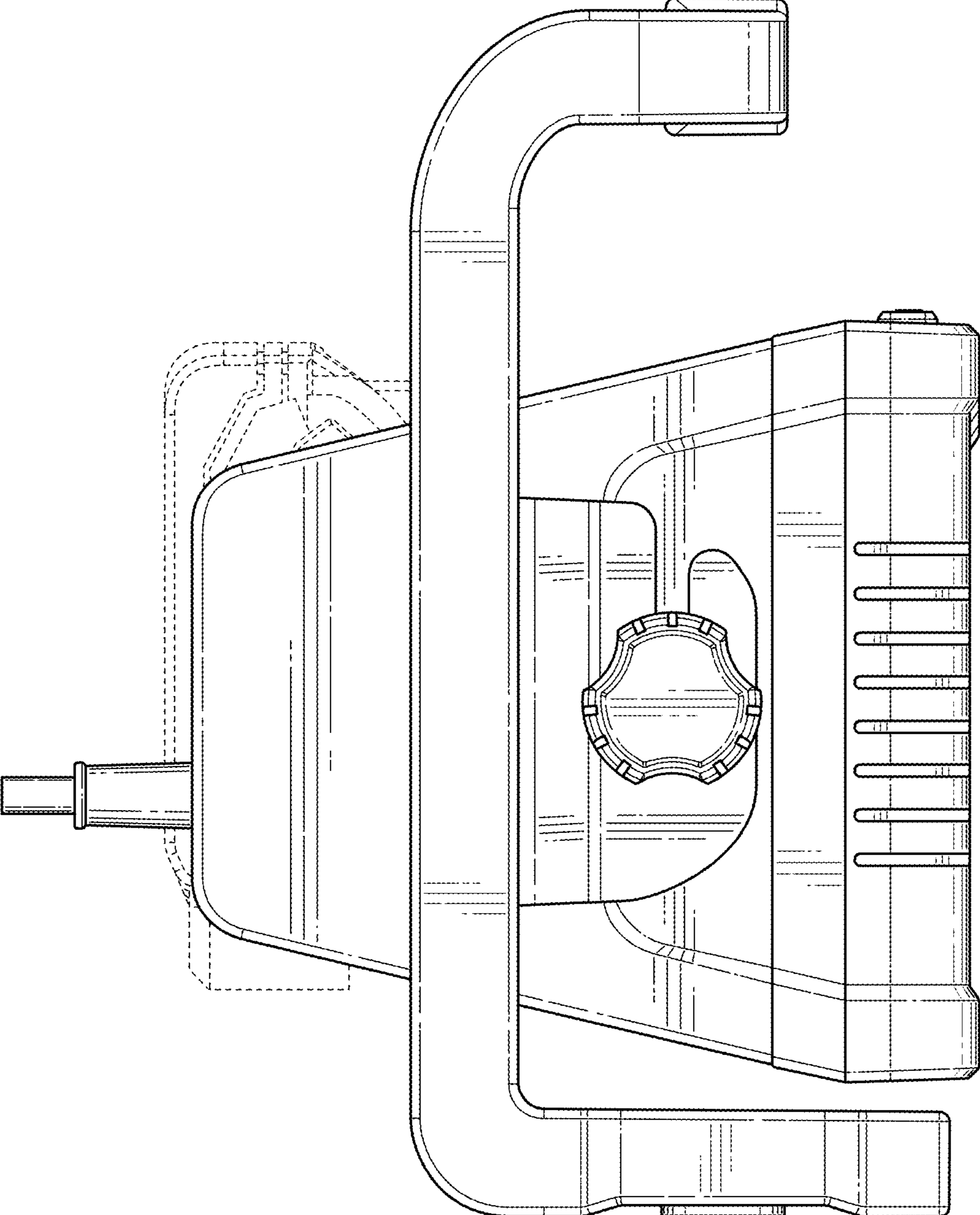


FIG. 5

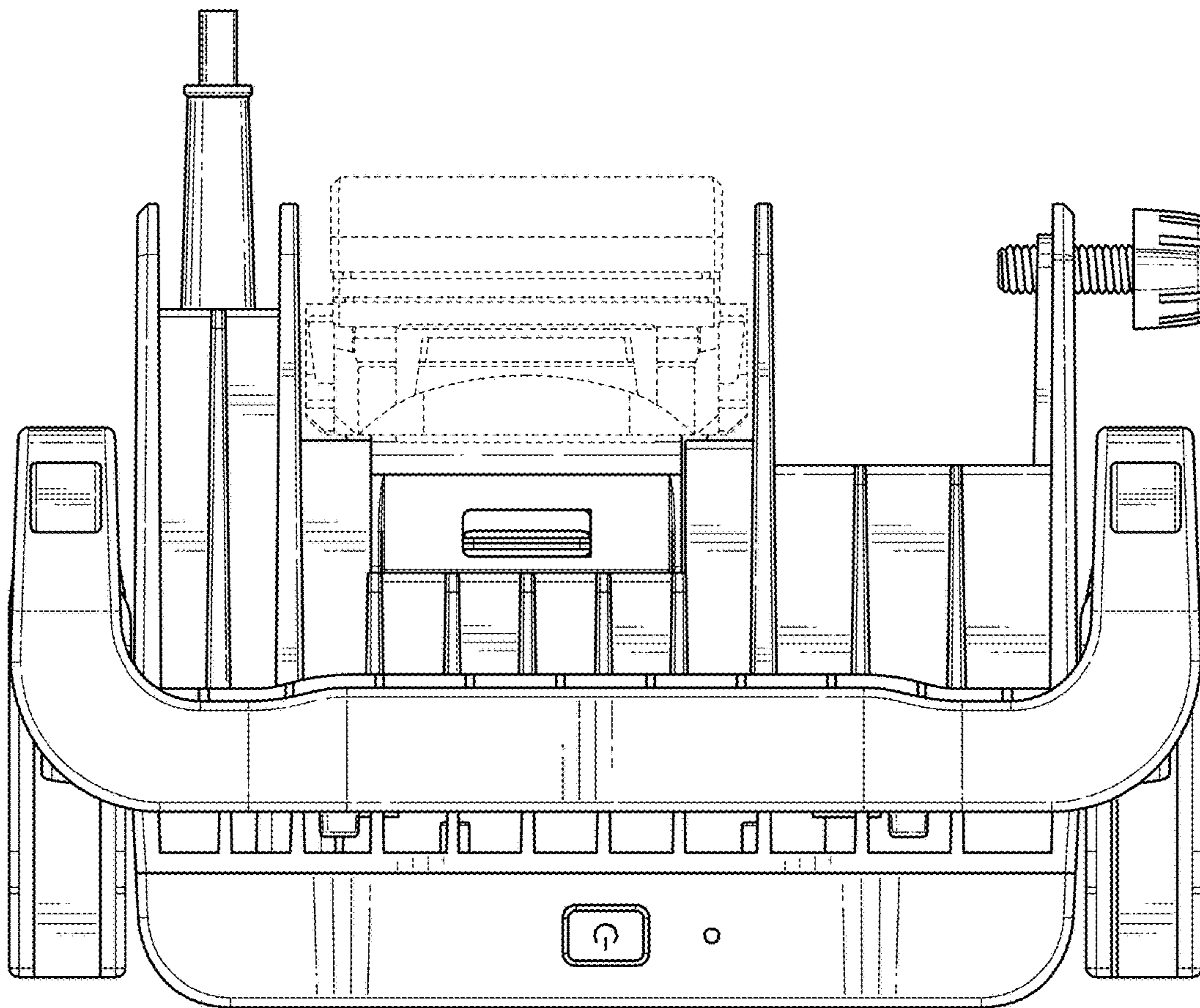


FIG. 6

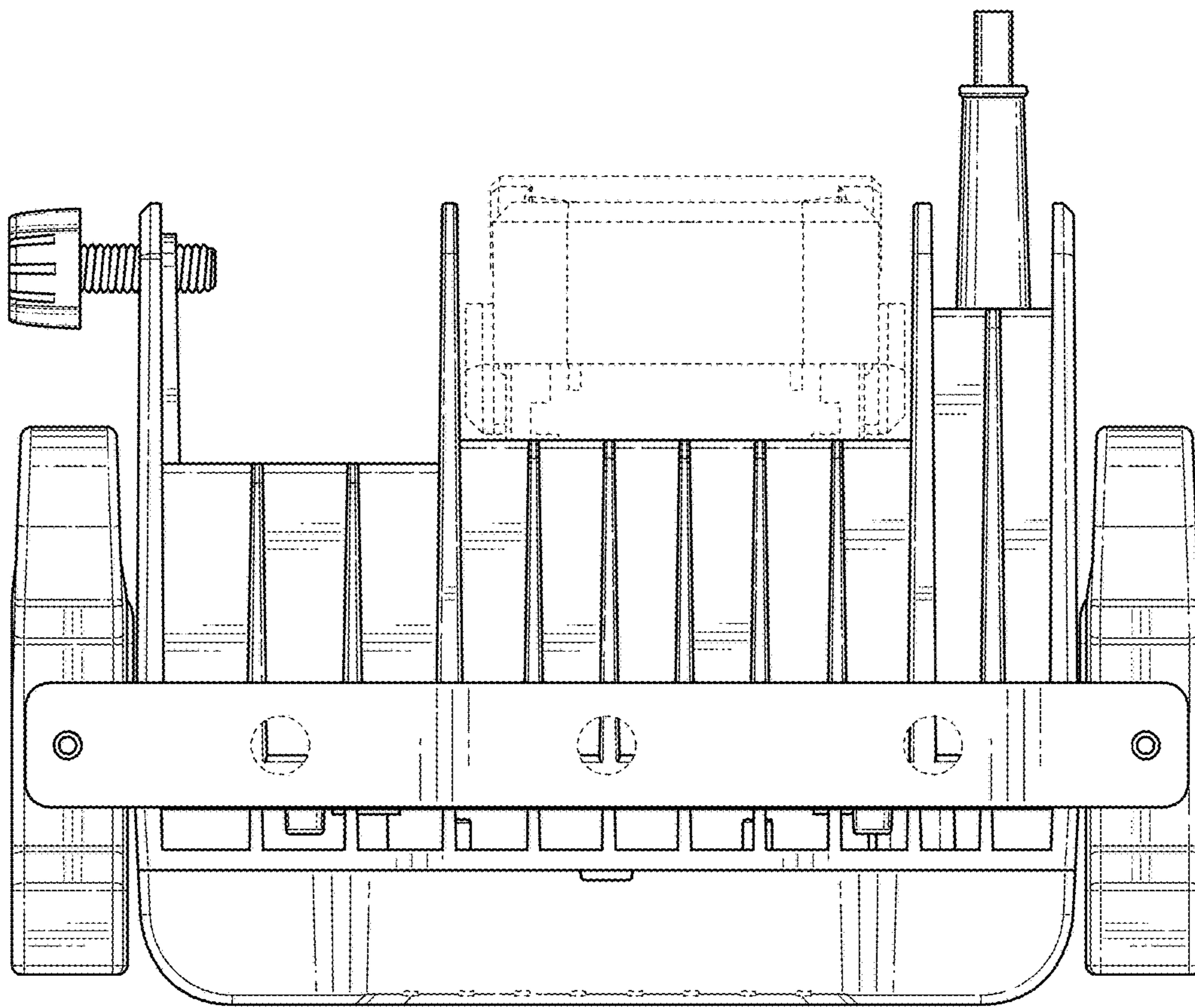


FIG. 7