



US00D841851S

(12) **United States Design Patent** (10) **Patent No.:** **US D841,851 S**
Wu (45) **Date of Patent:** **** Feb. 26, 2019**

(54) **FLASHLIGHT WITH HANDLE**
(71) Applicant: **Liuning Wu**, Ningbo (CN)
(72) Inventor: **Liuning Wu**, Ningbo (CN)
(73) Assignee: **Ningbo Worth International Trade Co., Ltd.**, Ningbo (CN)
(**) Term: **15 Years**
(21) Appl. No.: **29/588,263**
(22) Filed: **Dec. 19, 2016**
(51) **LOC (11) Cl.** **26-02**
(52) **U.S. Cl.**
USPC **D26/49**
(58) **Field of Classification Search**
USPC D26/37-51
CPC F21L 2003/00; F21L 4/00; F21L 4/005;
F21L 4/02; F21L 4/025; F21L 4/027;
F21L 4/04; F21L 4/08; F21L 2005/00;
F21L 7/00; F21L 11/00; F21L 13/00;
F21L 13/04; F21L 13/08; F21L 14/02;
F21L 17/00; F21L 19/00
See application file for complete search history.

(56) **References Cited**
U.S. PATENT DOCUMENTS
D437,066 S * 1/2001 Kohlhase D26/38
D445,926 S * 7/2001 Cheong D26/37
D445,927 S * 7/2001 Shiu D26/37
D494,695 S * 8/2004 Oas D26/37
D498,317 S * 11/2004 Yuen D26/38

D510,402 S * 10/2005 Owens D22/108
D518,209 S * 3/2006 Nagano D26/39
D518,210 S * 3/2006 Nagano D26/39
D551,369 S * 9/2007 Mah D26/37
D612,524 S * 3/2010 Booher D26/39
D638,157 S * 5/2011 Lee D26/49
D667,577 S * 9/2012 Wu D26/49
D706,474 S * 6/2014 Ferguson D26/39
D711,572 S * 8/2014 Kwon D26/37
D723,202 S * 2/2015 Windom D26/39
D724,592 S * 3/2015 Han D14/420
D743,595 S * 11/2015 Fischer D26/38
D803,441 S * 11/2017 Mandiola D26/38

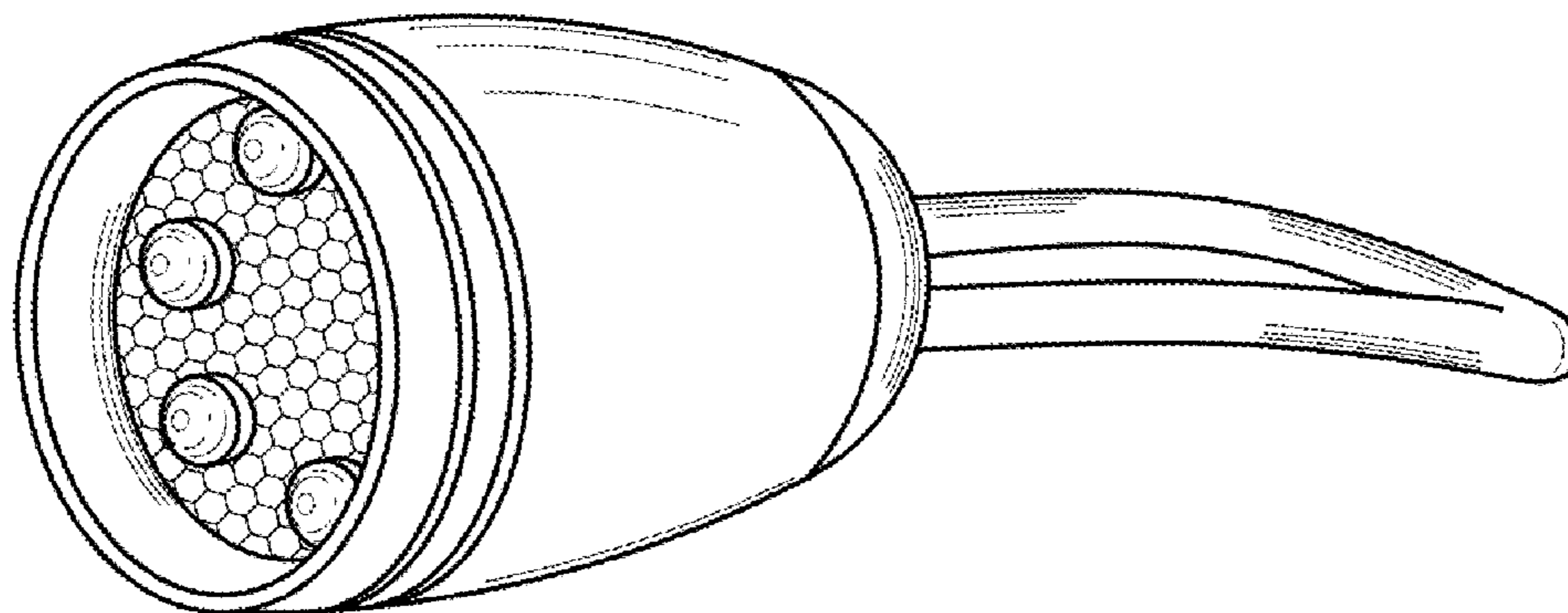
* cited by examiner

Primary Examiner — Lakiya G Rogers
Assistant Examiner — Carissa C Fitts
(74) *Attorney, Agent, or Firm* — Thomas I. Rozsa

(57) **CLAIM**
The ornamental design for a flashlight with handle, as shown and described.

DESCRIPTION
FIG. 1 is a rear side perspective view of the flashlight with handle, showing my new design;
FIG. 2 is a front side perspective view thereof;
FIG. 3 is a front view thereof;
FIG. 4 is a rear view thereof;
FIG. 5 is a left side view thereof;
FIG. 6 is a right side view thereof;
FIG. 7 is a top view thereof; and,
FIG. 8 is a bottom view thereof.

1 Claim, 4 Drawing Sheets



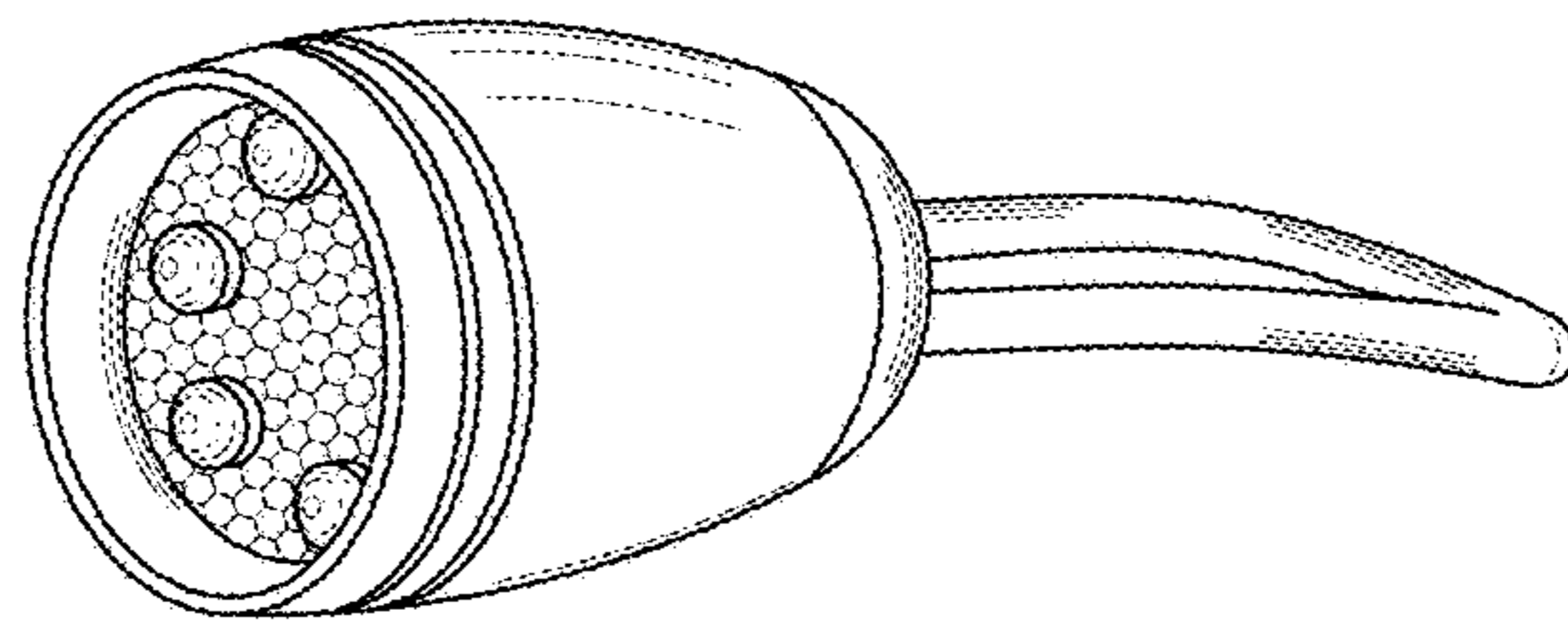


FIG. 1

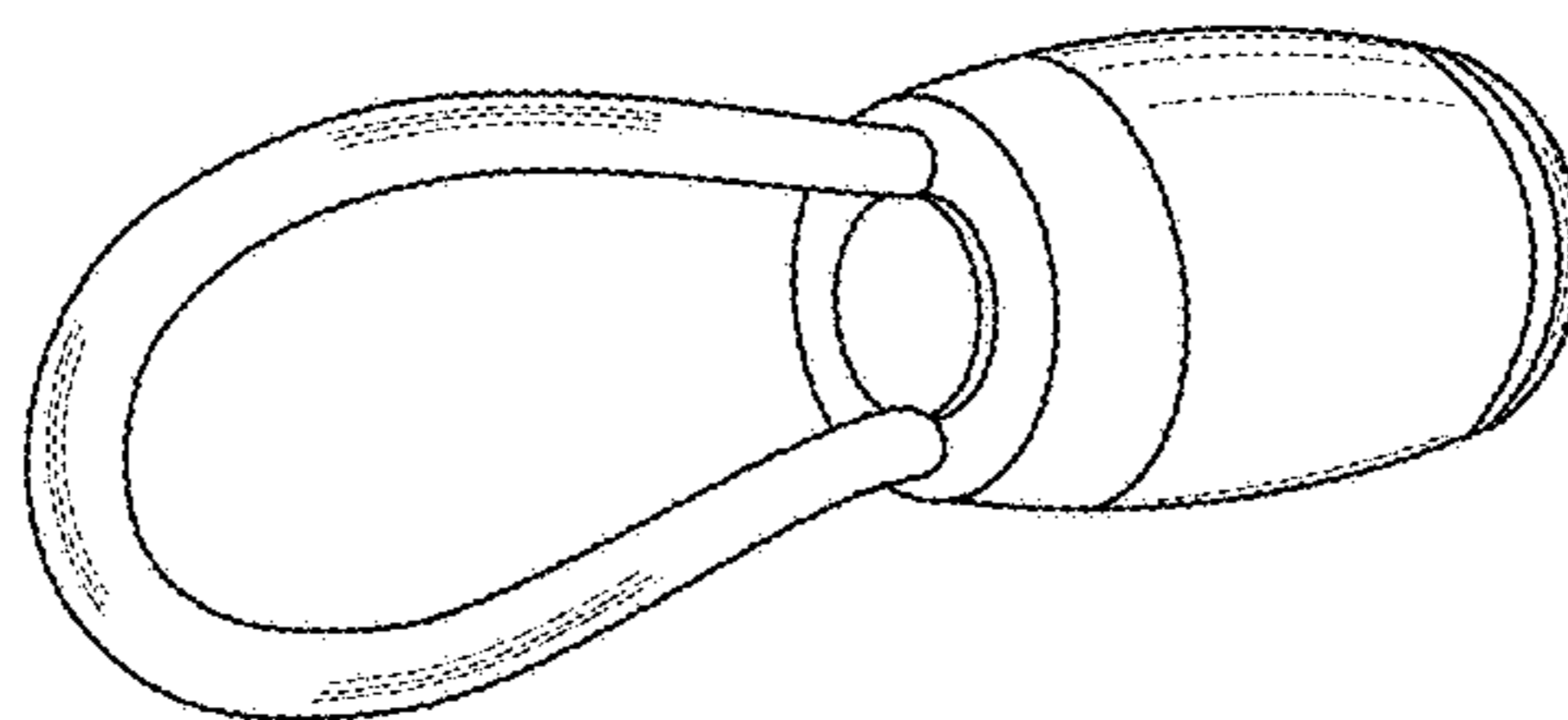


FIG. 2

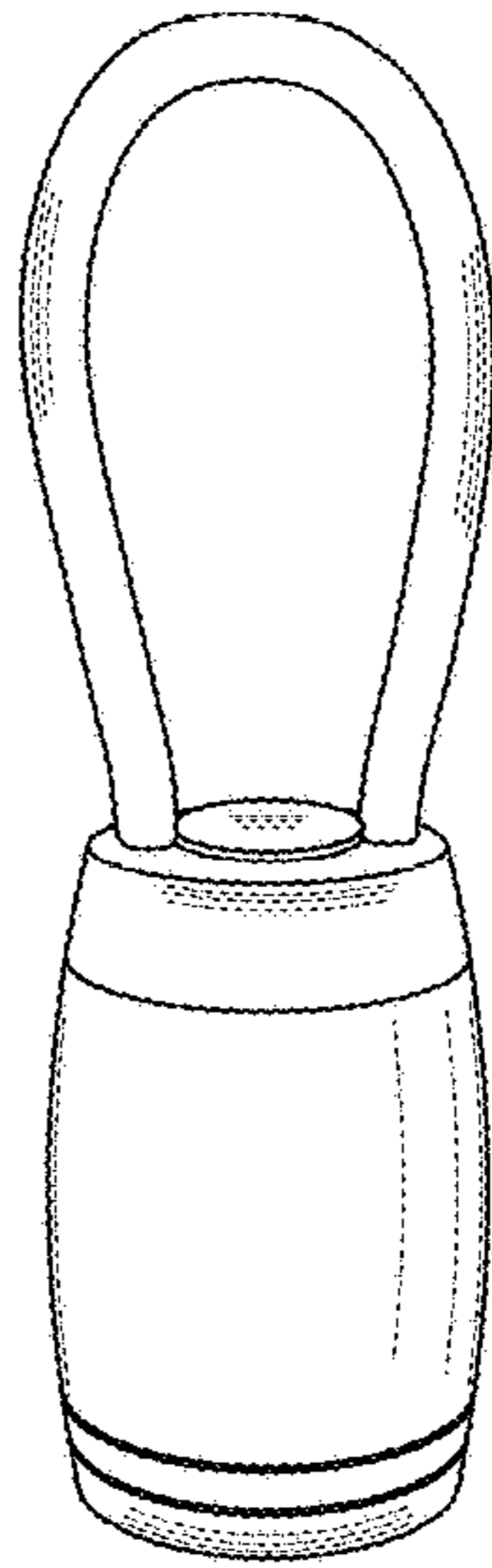


FIG. 3

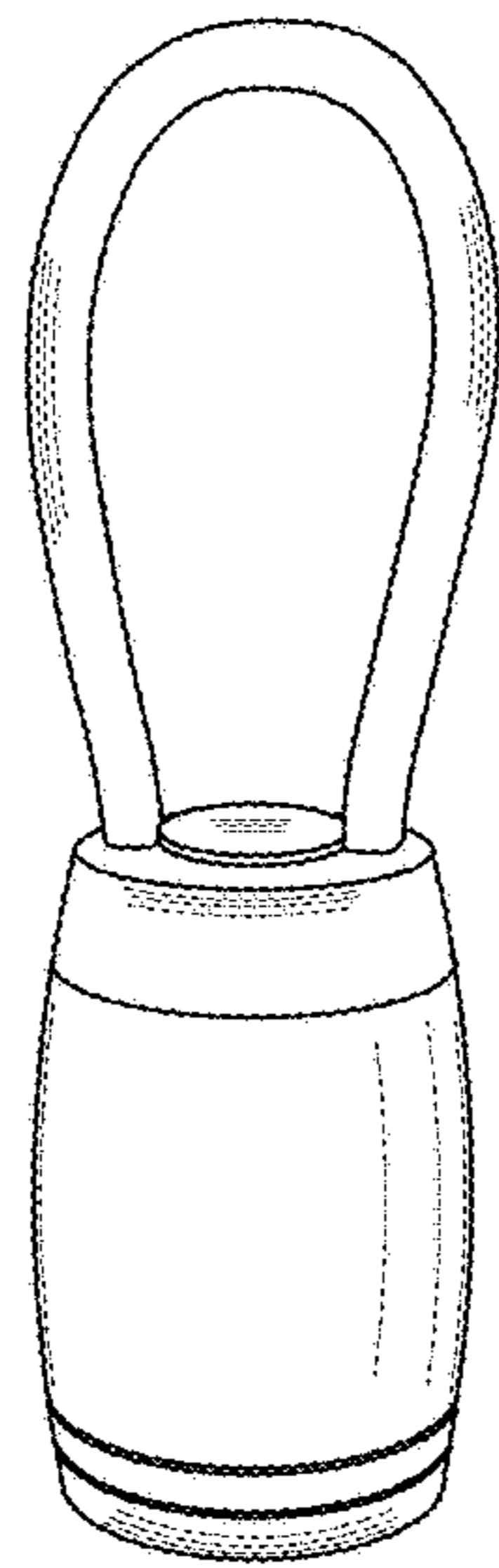


FIG. 4

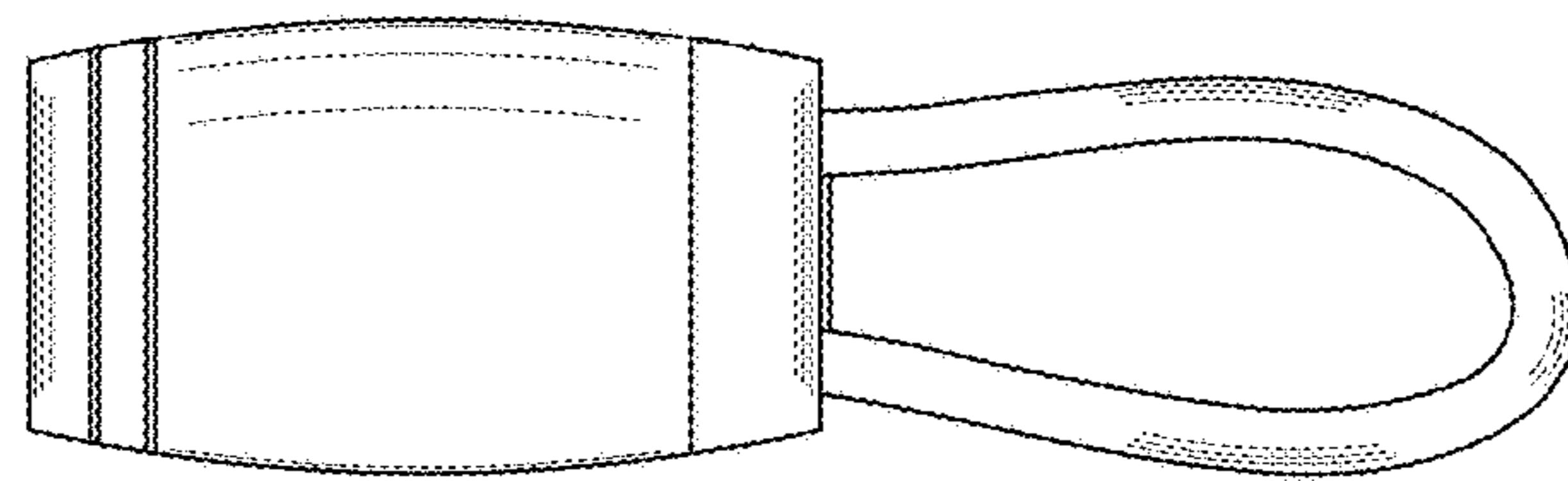


FIG. 5

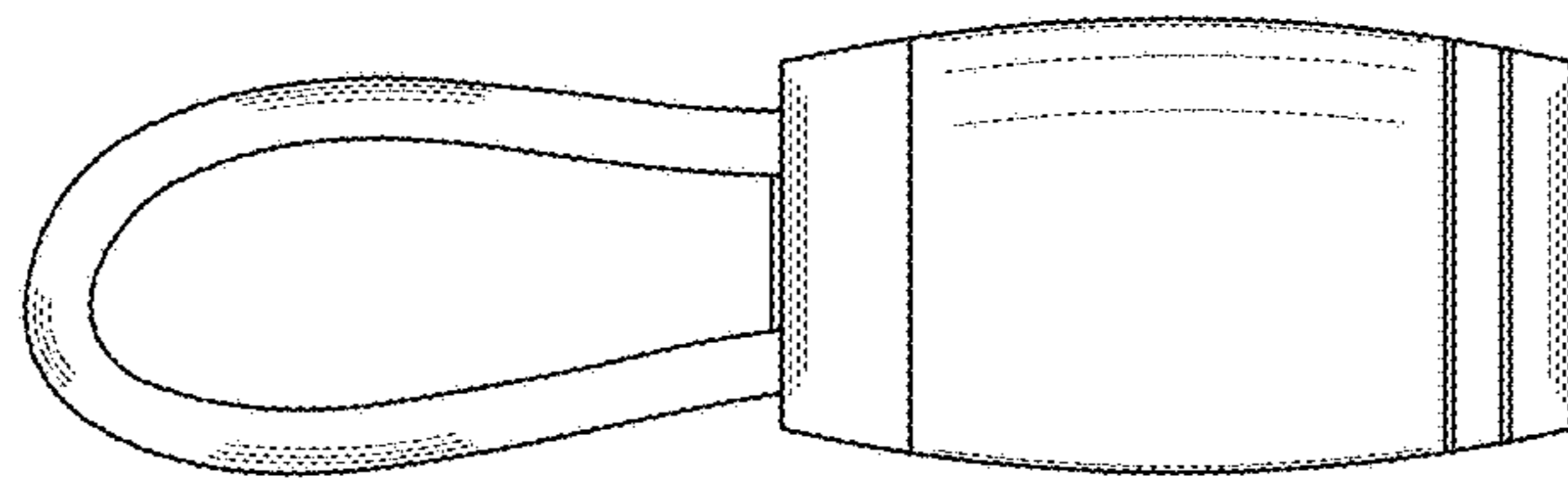


FIG. 6

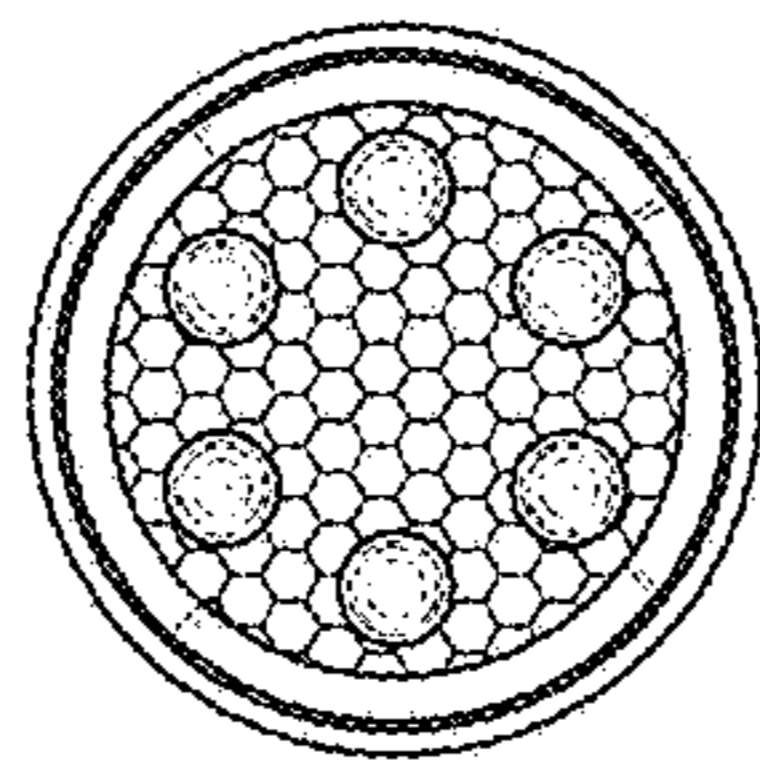


FIG. 7

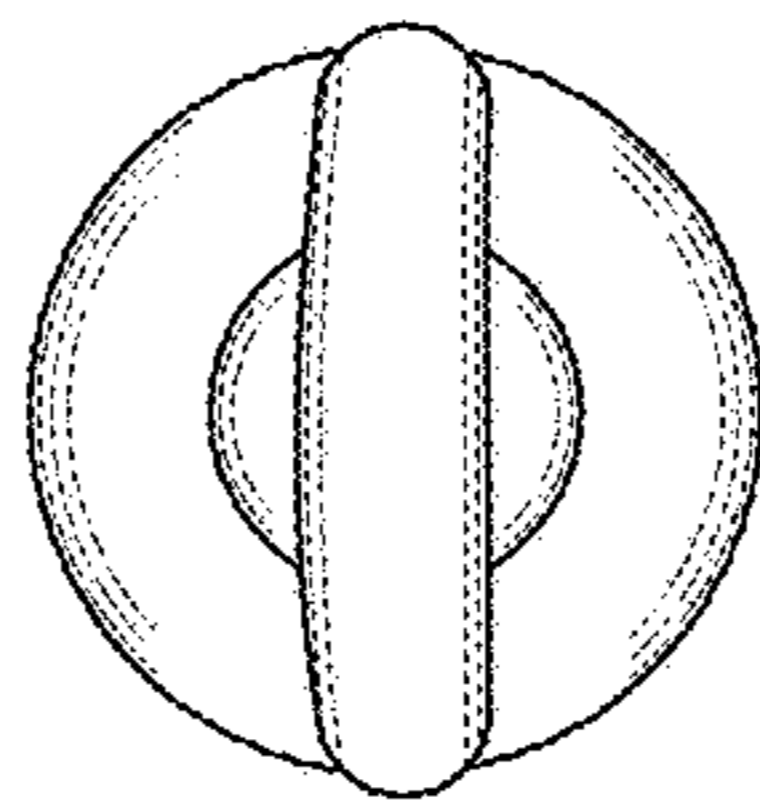


FIG. 8