



US00D841850S

(12) **United States Design Patent** (10) **Patent No.:** **US D841,850 S**  
**Williams** (45) **Date of Patent:** **\*\* Feb. 26, 2019**

(54) **HELMET ILLUMINATION DEVICE**

(71) Applicant: **JSP Limited**, Minster Lovell, Witney,  
Oxfordshire (GB)

(72) Inventor: **Mark Williams**, Minster Lovell (GB)

(73) Assignee: **JSP LIMITED**, Minster Lovell,  
Oxfordshire (GB)

(\*\*) Term: **15 Years**

(21) Appl. No.: **29/558,686**

(22) Filed: **Mar. 21, 2016**

(30) **Foreign Application Priority Data**

Oct. 14, 2015 (EM) ..... 002821983

(51) **LOC (11) Cl.** ..... **26-02**

(52) **U.S. Cl.**  
USPC ..... **D26/39**

(58) **Field of Classification Search**  
USPC ..... D26/37, 38, 39, 46, 51; 362/103–108,  
362/157, 158, 184, 186, 194–196,  
362/200–208, 253

CPC ..... F21V 33/00; F21V 14/025; F21V 21/406;  
F21Y 2101/02; F21L 17/00; F21L 13/08;  
F21L 2001/00; F21L 14/02

See application file for complete search history.

(56) **References Cited**

U.S. PATENT DOCUMENTS

D274,758 S \* 7/1984 Shing ..... D26/39  
D373,433 S \* 9/1996 Feinbloom ..... D26/39  
D383,229 S \* 9/1997 Kiichiro ..... D26/39  
D399,580 S \* 10/1998 Feinbloom ..... D26/39  
D441,111 S \* 4/2001 Van Der Bel ..... D24/231

D503,817 S \* 4/2005 Shiu ..... D26/39  
D531,335 S \* 10/2006 Garrity ..... D26/39  
D547,475 S \* 7/2007 Xu ..... D26/39  
D549,372 S \* 8/2007 Lee ..... D26/39  
D553,277 S \* 10/2007 Ho ..... D26/39  
D557,842 S \* 12/2007 Lee ..... D26/39  
D560,298 S \* 1/2008 Spartano ..... D26/39  
D586,932 S \* 2/2009 Feinbloom ..... D26/39  
D602,185 S \* 10/2009 Chang ..... D26/36  
D608,479 S \* 1/2010 Heine ..... D24/231

\* cited by examiner

*Primary Examiner* — Lakiya G Rogers

*Assistant Examiner* — Carissa C Fitts

(74) *Attorney, Agent, or Firm* — King & Schickli, PLLC

(57) **CLAIM**

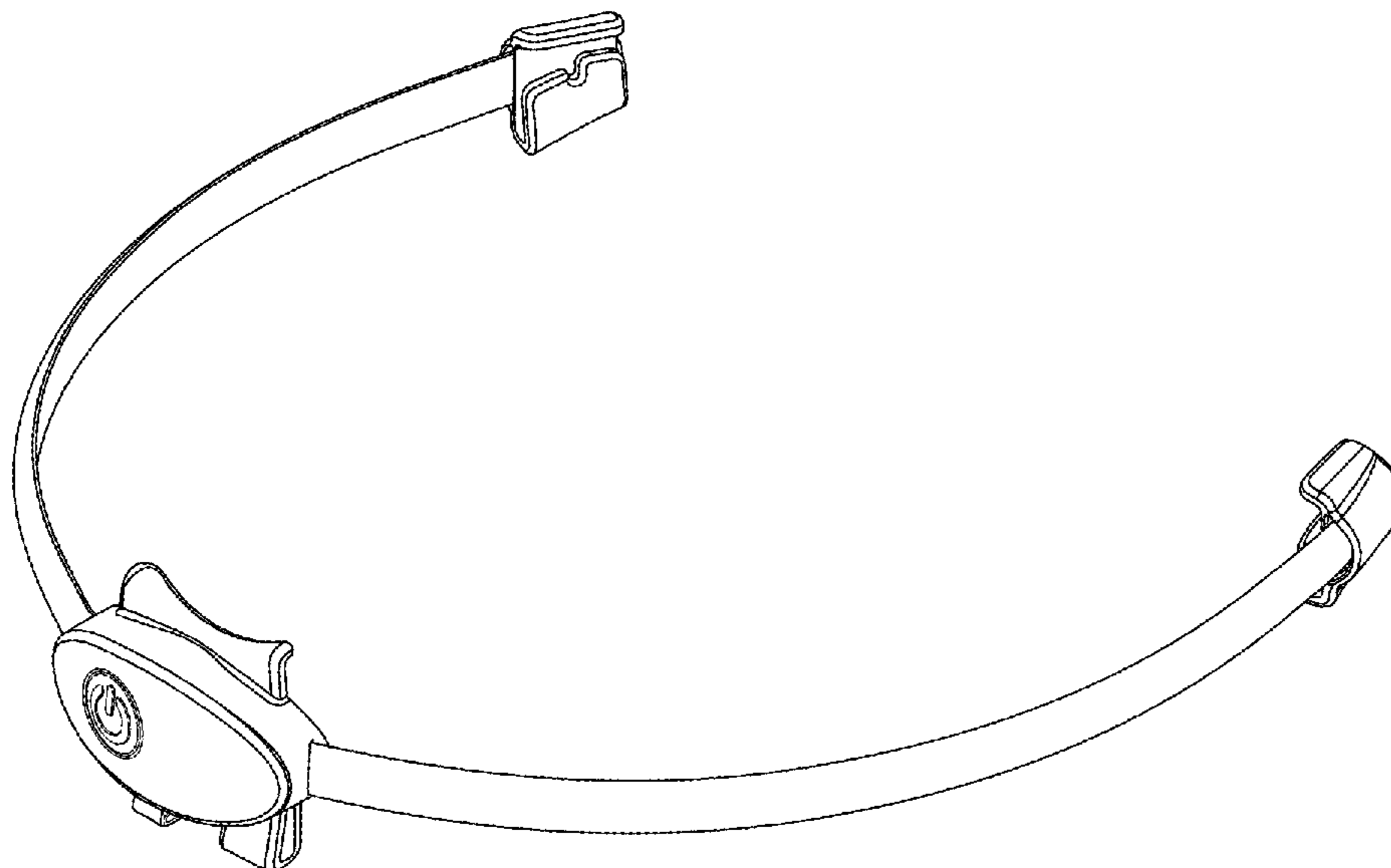
The ornamental design for a helmet illumination device, as shown and described.

**DESCRIPTION**

FIG. 1 is an isometric view of the design;  
FIG. 2 is a rear view of the design;  
FIG. 3 is a left side view of the design;  
FIG. 4 is a front side view of the design;  
FIG. 5 is a top view of the design;  
FIG. 6 is a bottom view of the design;  
FIG. 7 is an isometric view of the design in connection with a helmet;  
FIG. 8 is a rear view of the design of FIG. 7;  
FIG. 9 is a right side view of the design of FIG. 7;  
FIG. 10 is a front view of the design of FIG. 7;  
FIG. 11 is a top side view of the design of FIG. 7; and,  
FIG. 12 is a bottom view of the design of FIG. 7.

The broken lines in the drawings illustrate the environment of use of the claimed design, but form no part of the claimed design.

**1 Claim, 10 Drawing Sheets**



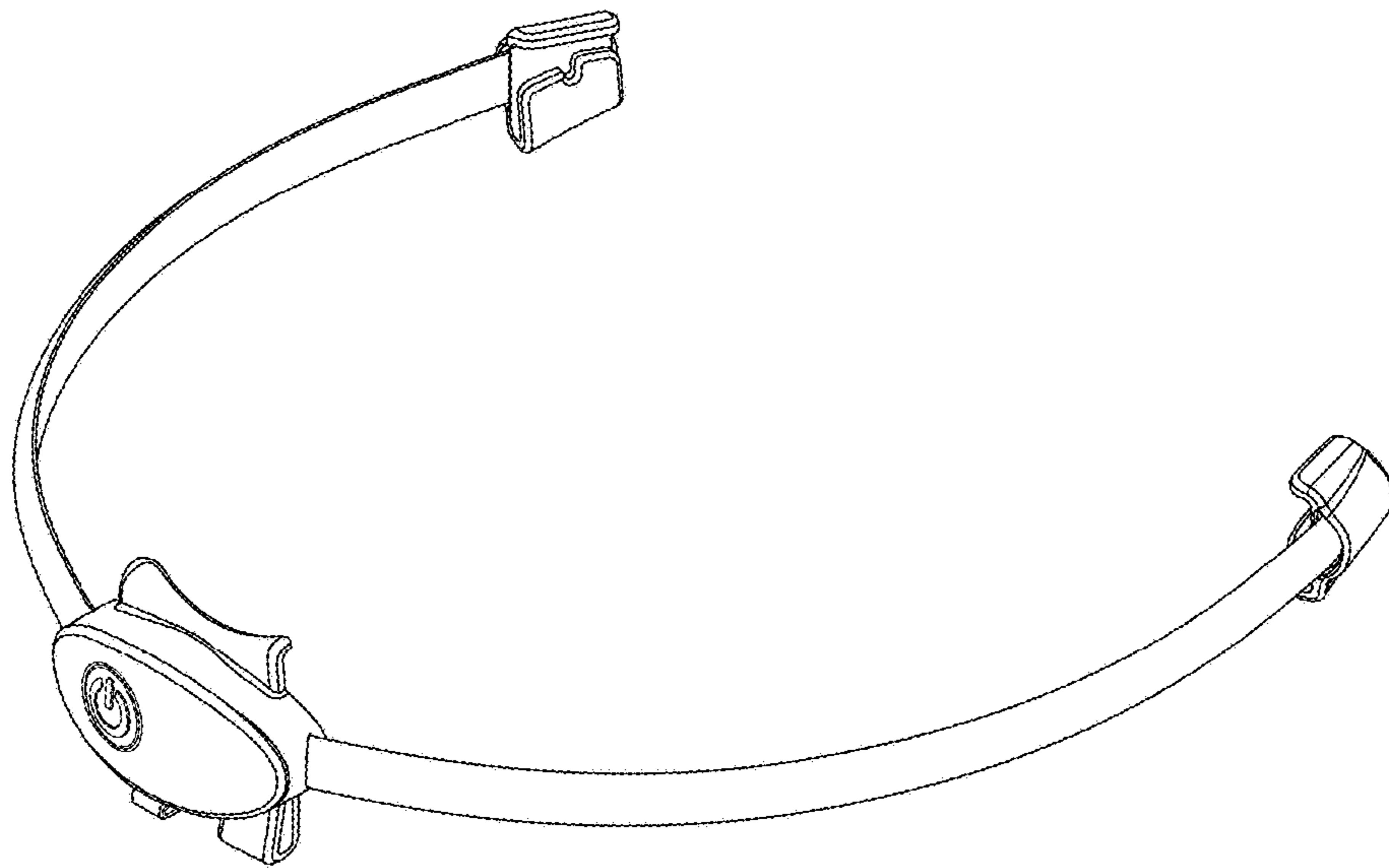


Fig. 1

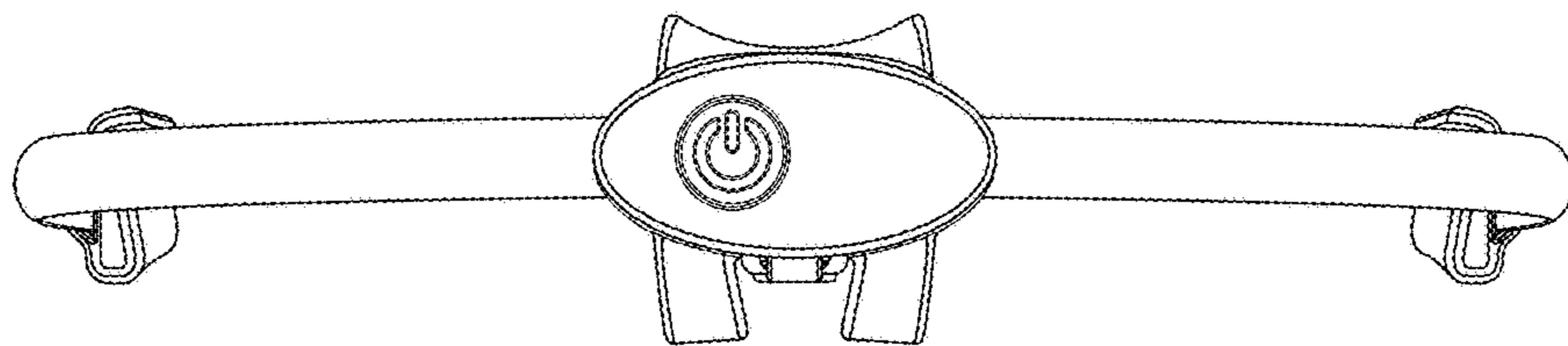


Fig. 2

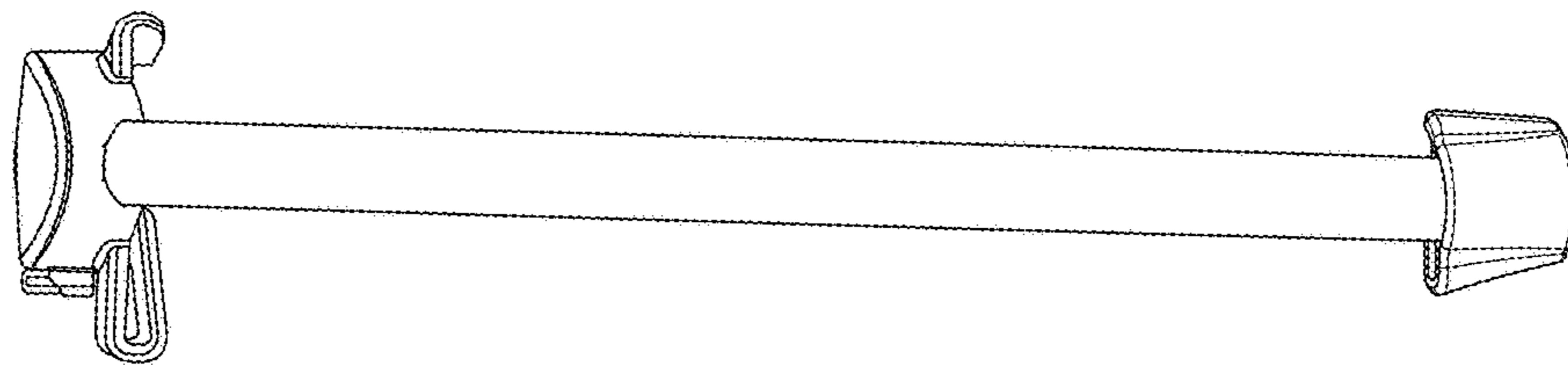


Fig. 3

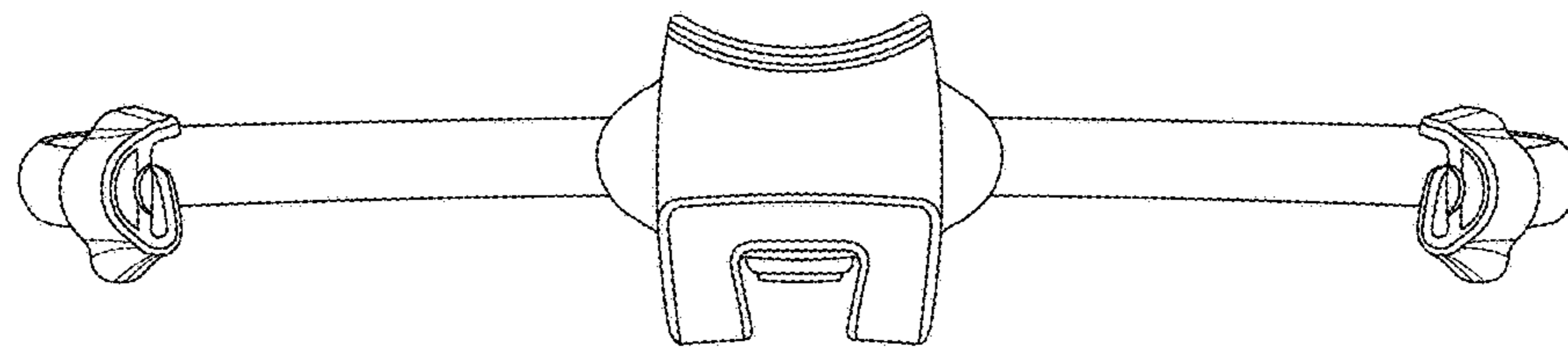


Fig. 4

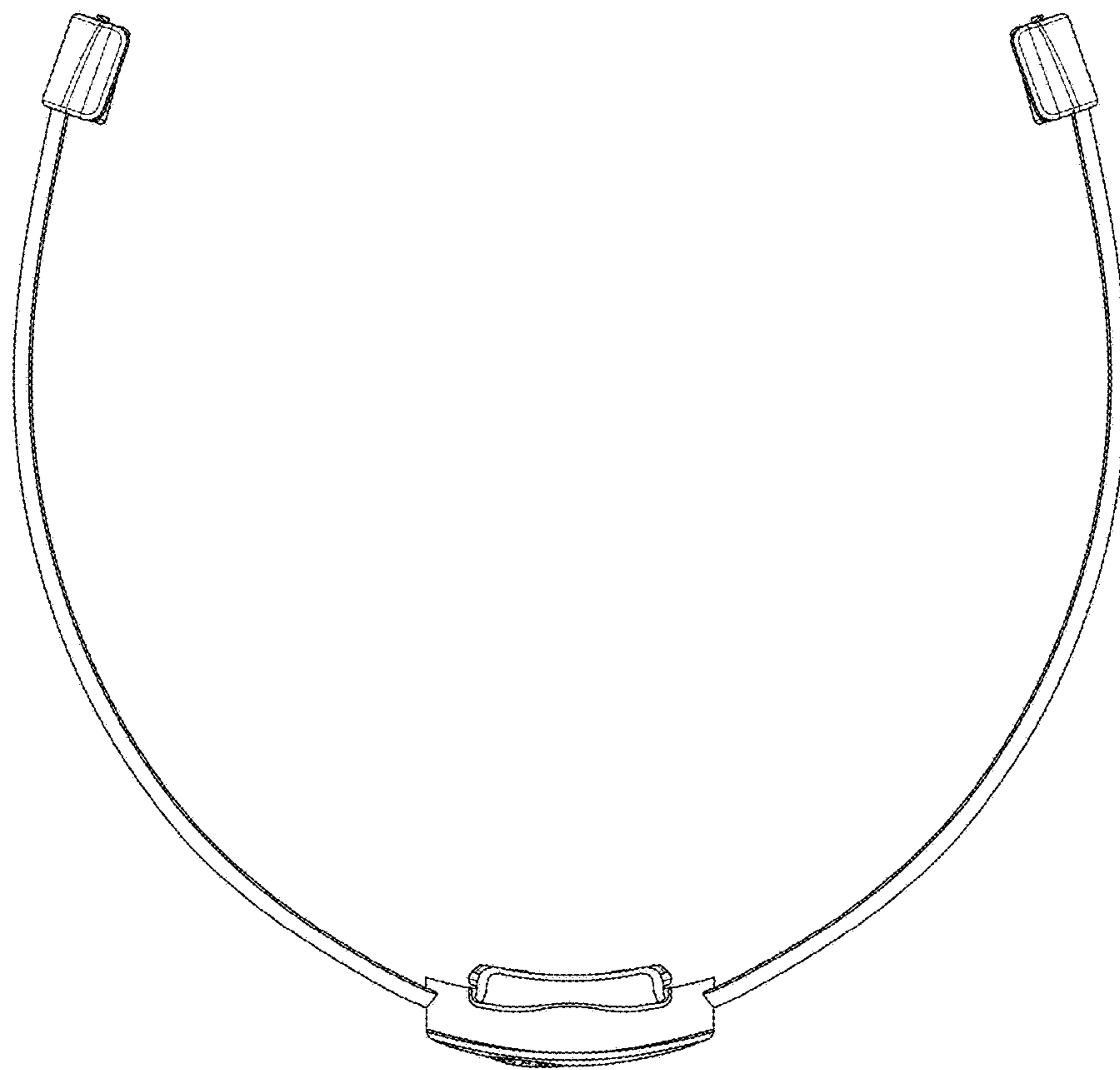


Fig. 5

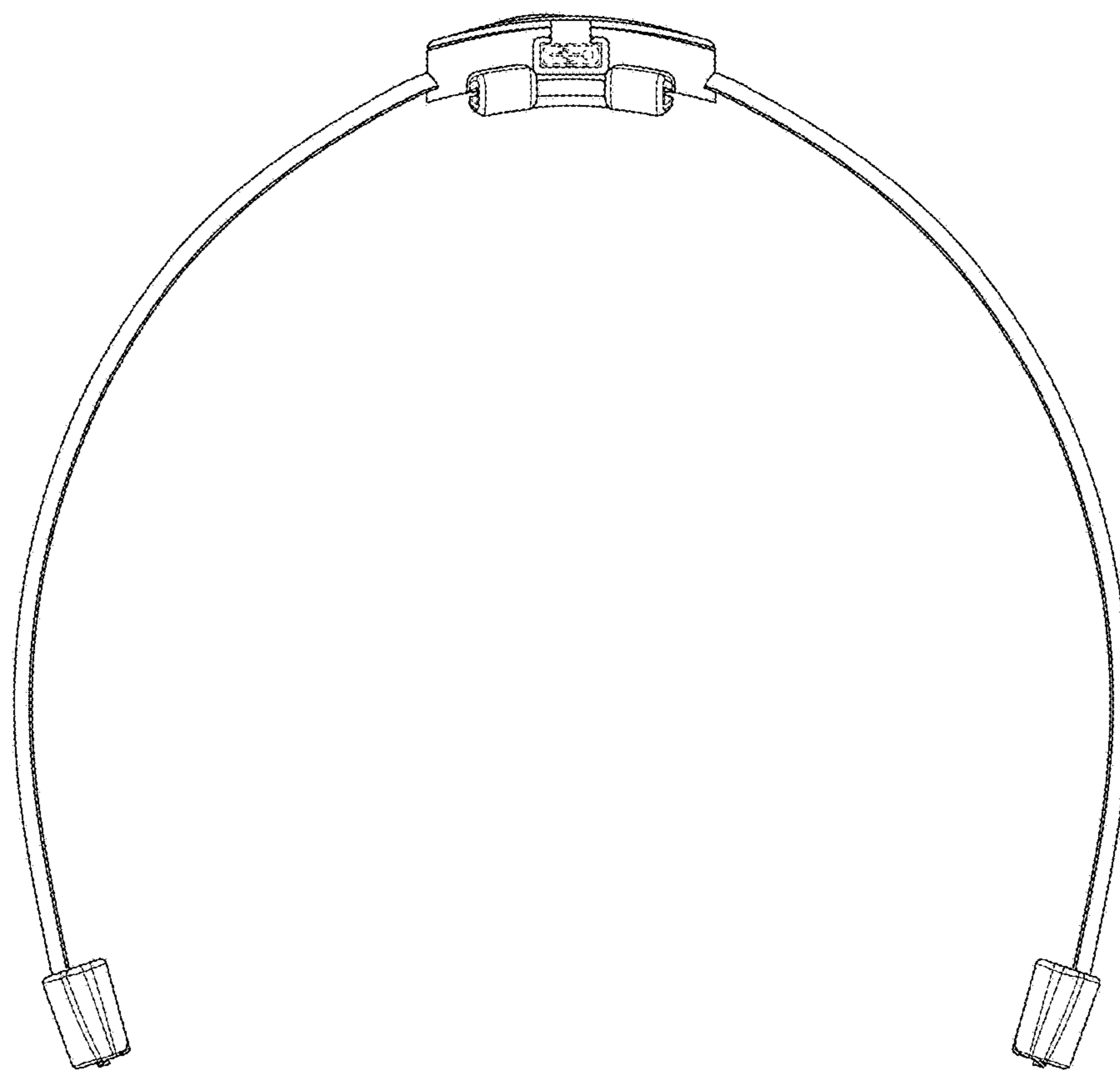


Fig. 6

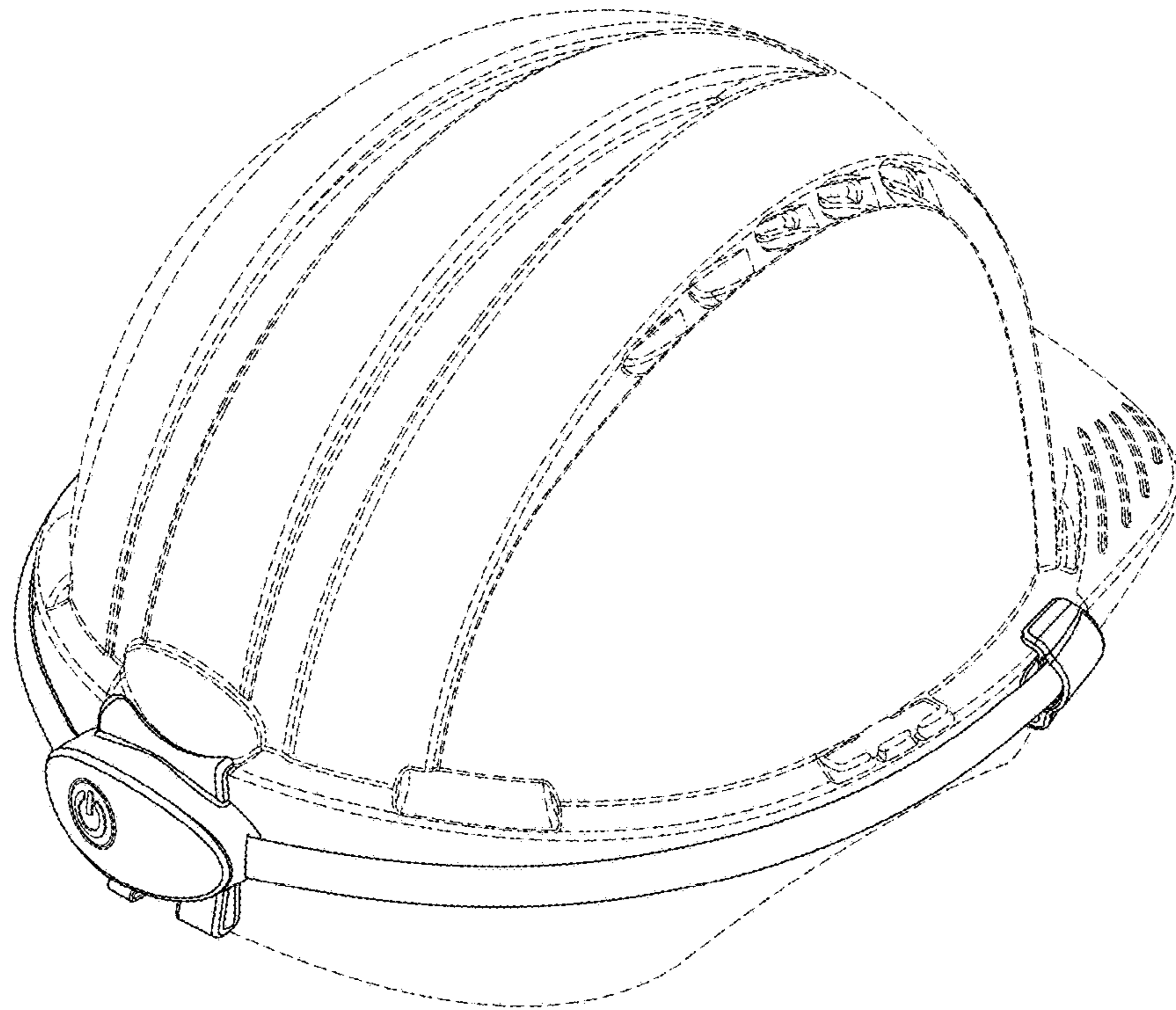


Fig. 7



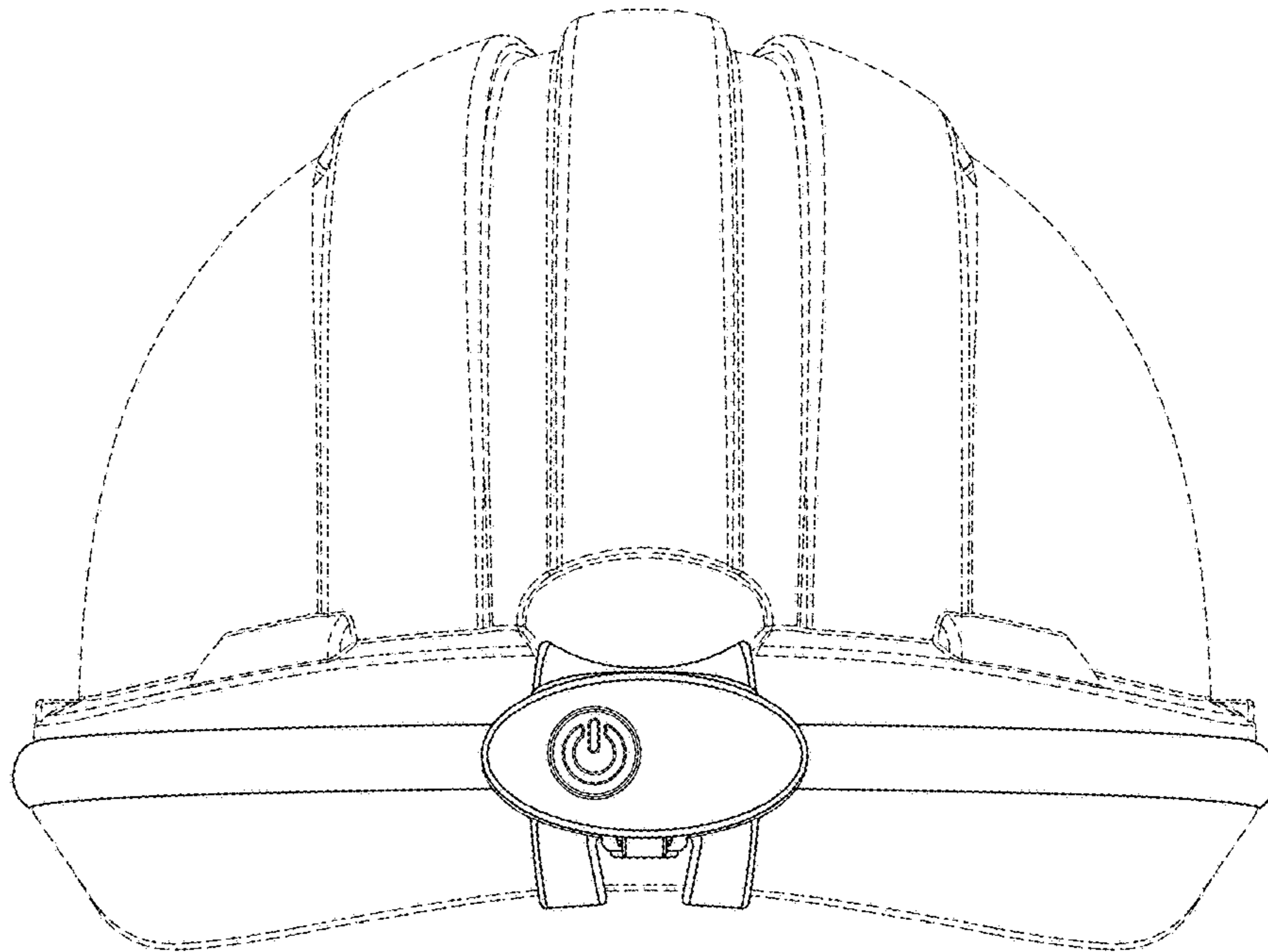


Fig. 8

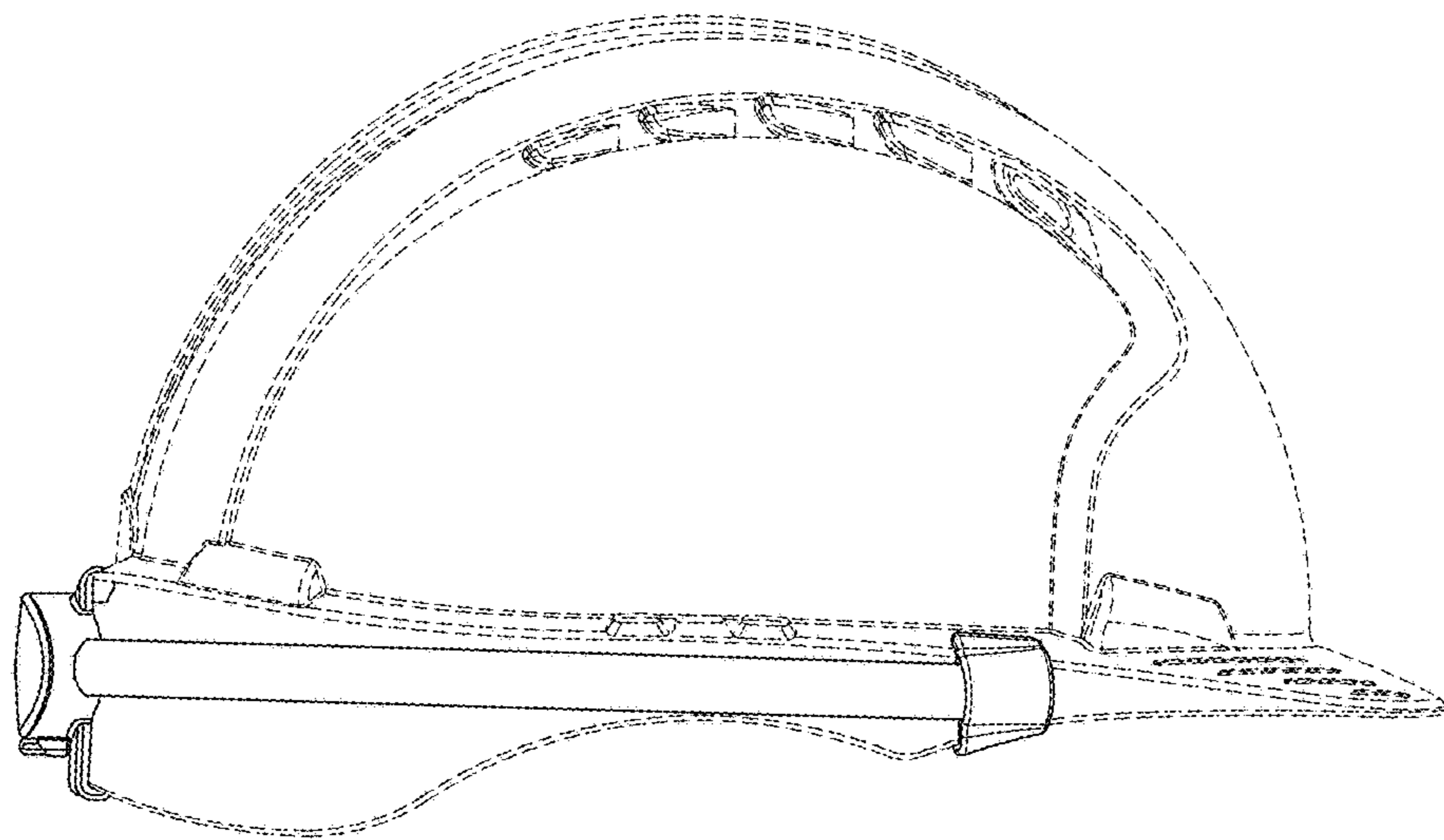


Fig. 9



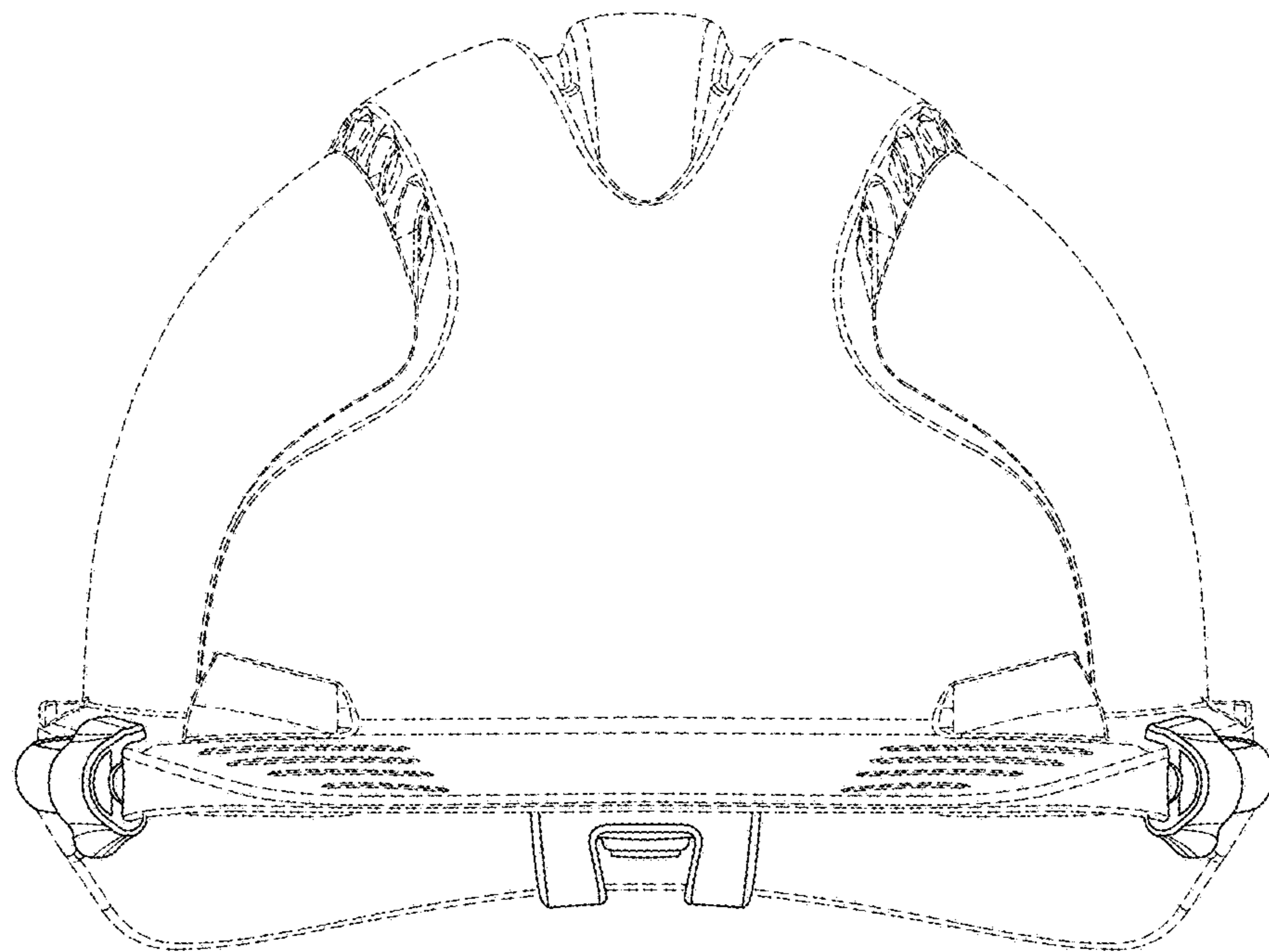


Fig. 10

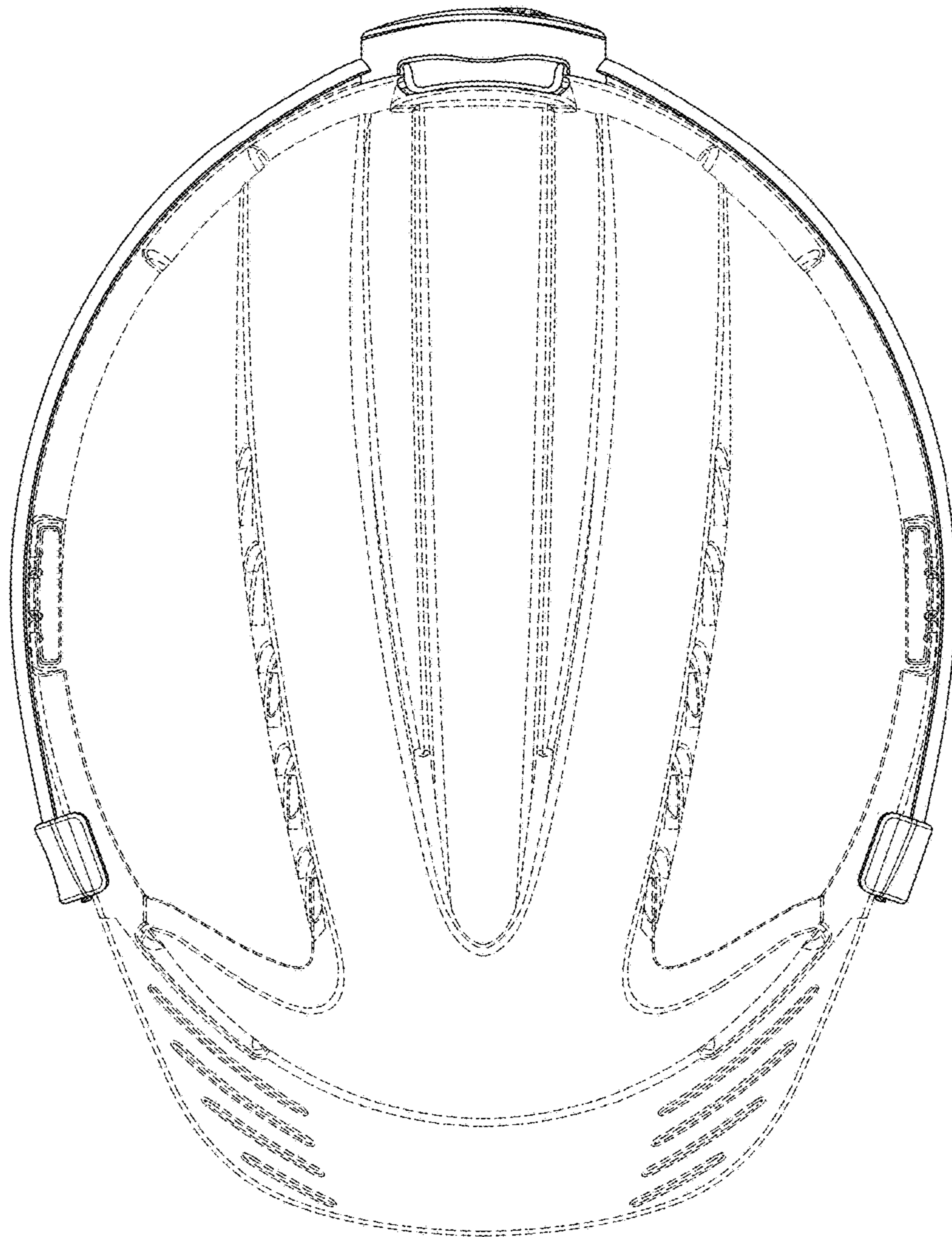


Fig. 11

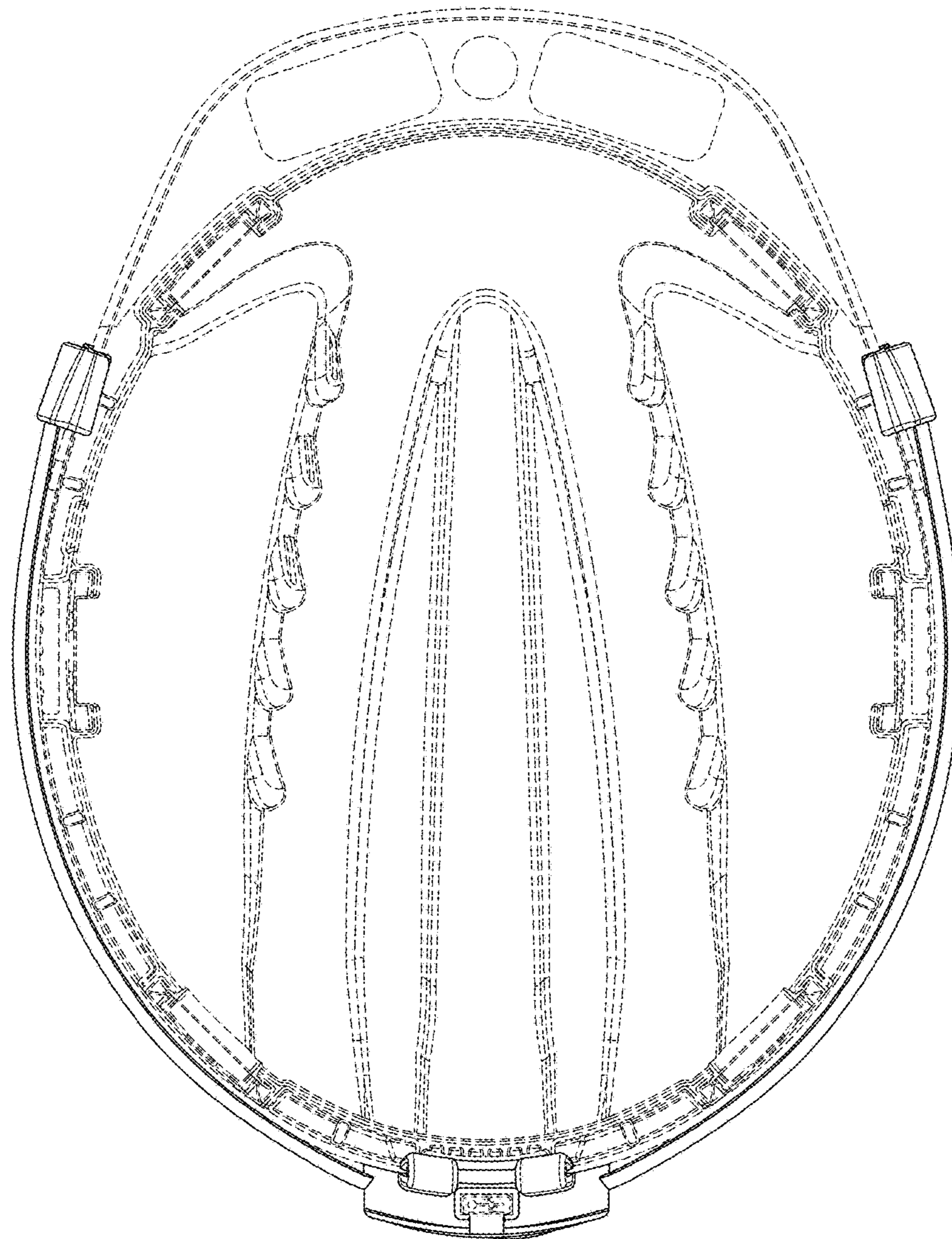


Fig. 12