



US00D841848S

(12) **United States Design Patent** (10) **Patent No.:** **US D841,848 S**
Poffler (45) **Date of Patent:** **** Feb. 26, 2019**

(54) **WORK LAMP**
(71) Applicant: **SCANGRIP A/S**, Svendborg (DK)
(72) Inventor: **Nikolaj Poffler**, Svendborg (DK)
(73) Assignee: **SCANGRIP A/S**, Svenborg (DK)
(**) Term: **15 Years**
(21) Appl. No.: **29/571,661**

D597,693 S * 8/2009 Kauffman D26/63
D608,038 S * 1/2010 Chan D26/60
D611,632 S * 3/2010 Diehl D26/50
D622,879 S * 8/2010 Kotsis D26/37
D625,870 S * 10/2010 Feigenbaum D26/63
D629,131 S * 12/2010 Seal D26/60
D679,845 S * 4/2013 Huang D26/37
D682,451 S * 5/2013 Hardy D26/60
D698,471 S * 1/2014 Poon D26/37
D756,014 S * 5/2016 Bao D26/65
D779,092 S * 2/2017 Xu D26/37
2006/0146523 A1* 7/2006 Yuen F21L 14/026
362/183

(22) Filed: **Jul. 20, 2016**

* cited by examiner

(30) **Foreign Application Priority Data**

Jan. 21, 2016 (EP) 002954123

Primary Examiner — Lakiya G Rogers

Assistant Examiner — Carissa C Fitts

(51) **LOC (11) Cl.** **26-02**

(74) *Attorney, Agent, or Firm* — Berg Hill Greenleaf

Ruscitti LLC

(52) **U.S. Cl.**
USPC **D26/37**

(57) **CLAIM**

(58) **Field of Classification Search**
USPC D26/37–51
CPC F21L 2003/00; F21L 4/00; F21L 4/005;
F21L 4/02; F21L 4/025; F21L 4/027;
F21L 4/04; F21L 4/08; F21L 2005/00;
F21L 7/00; F21L 11/00; F21L 13/00;
F21L 13/04; F21L 13/08; F21L 14/02;
F21L 17/00; F21L 19/00

The ornamental design for a work lamp, as shown and described.

DESCRIPTION

See application file for complete search history.

FIG. 1 is a rear elevation view of the work lamp of the invention;
FIG. 2 is a bottom plan view of the invention;
FIG. 3 is a front elevation view of the invention;
FIG. 4 is a front perspective view of the invention;
FIG. 5 is a right side elevation view of the invention;
FIG. 6 is a left side elevation view of the invention; and,
FIG. 7 is a top plan view of the invention.

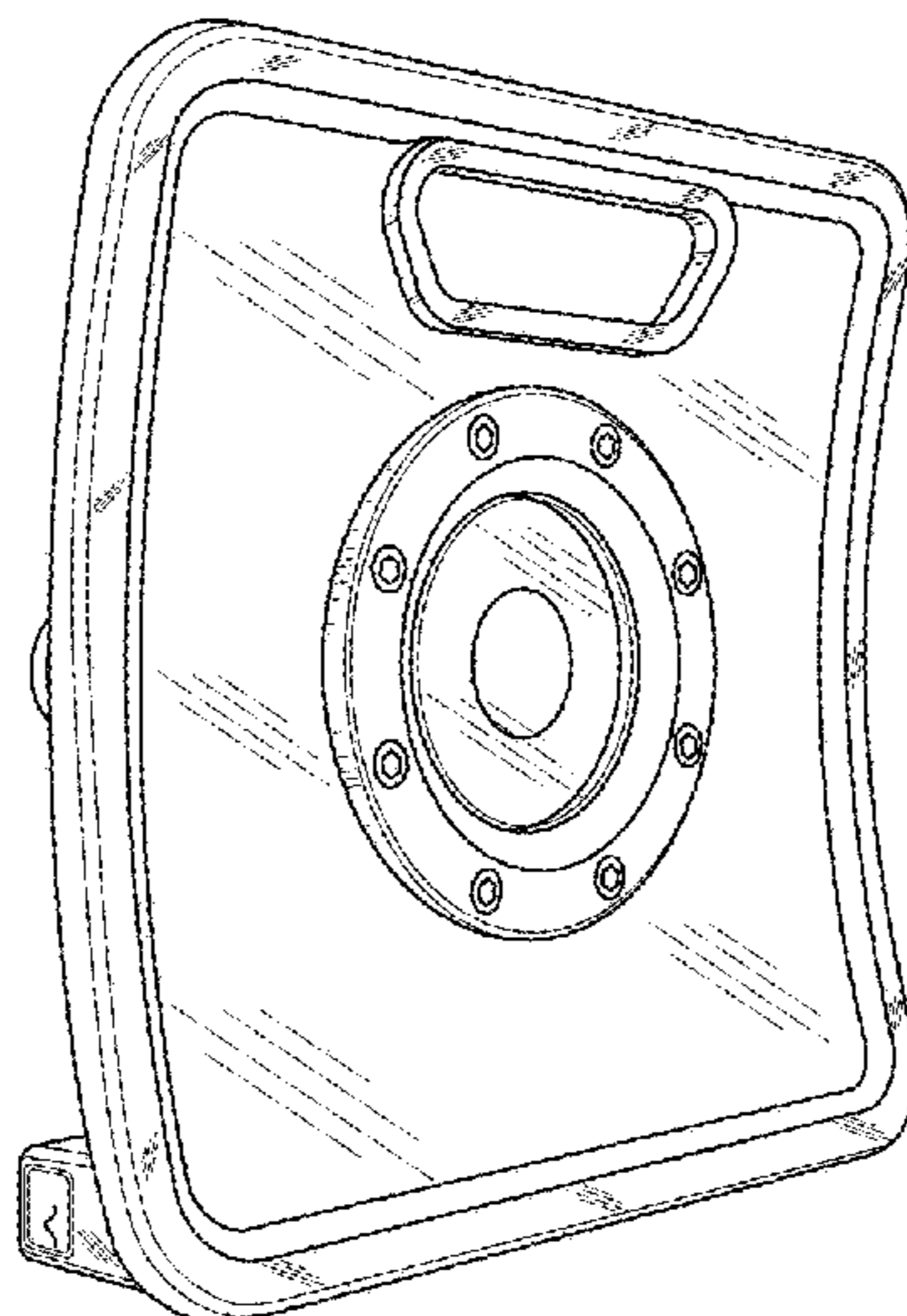
The broken lines show portions of the work lamp not claimed and form no part of the claimed design.

(56) **References Cited**

U.S. PATENT DOCUMENTS

D275,523 S * 9/1984 Ader D26/39
D549,859 S * 8/2007 Kovacik D26/37
D593,236 S * 5/2009 Ng D26/37
D593,693 S * 6/2009 Adamany D26/37

1 Claim, 7 Drawing Sheets



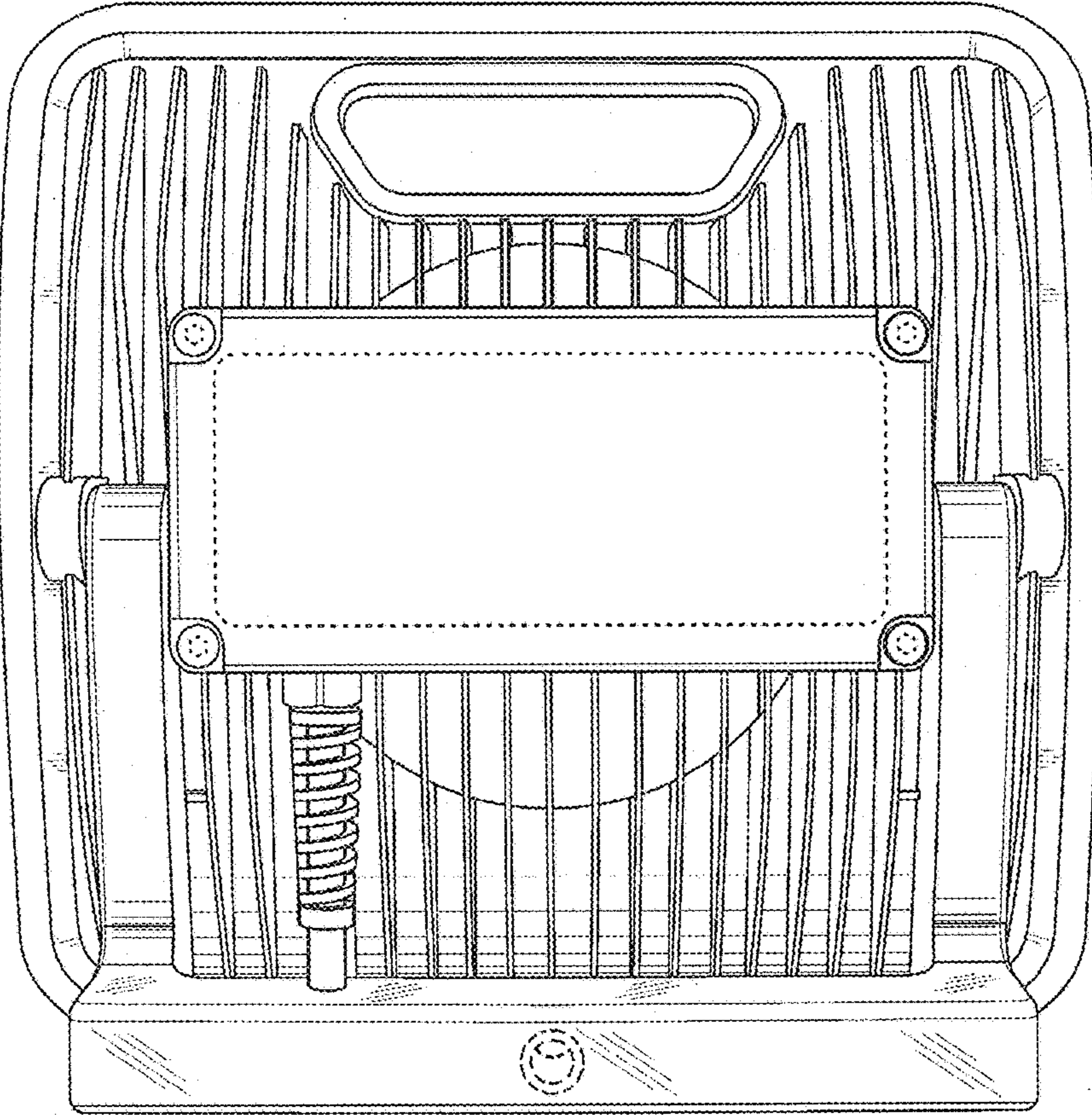


FIG. 1

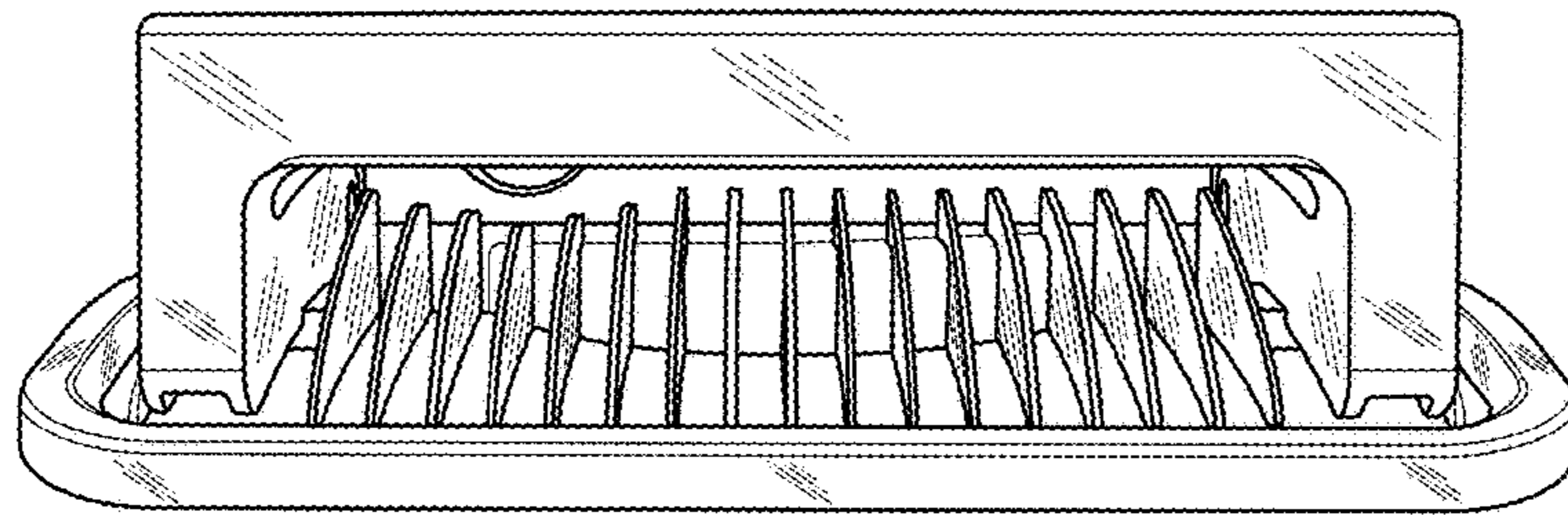


FIG. 2

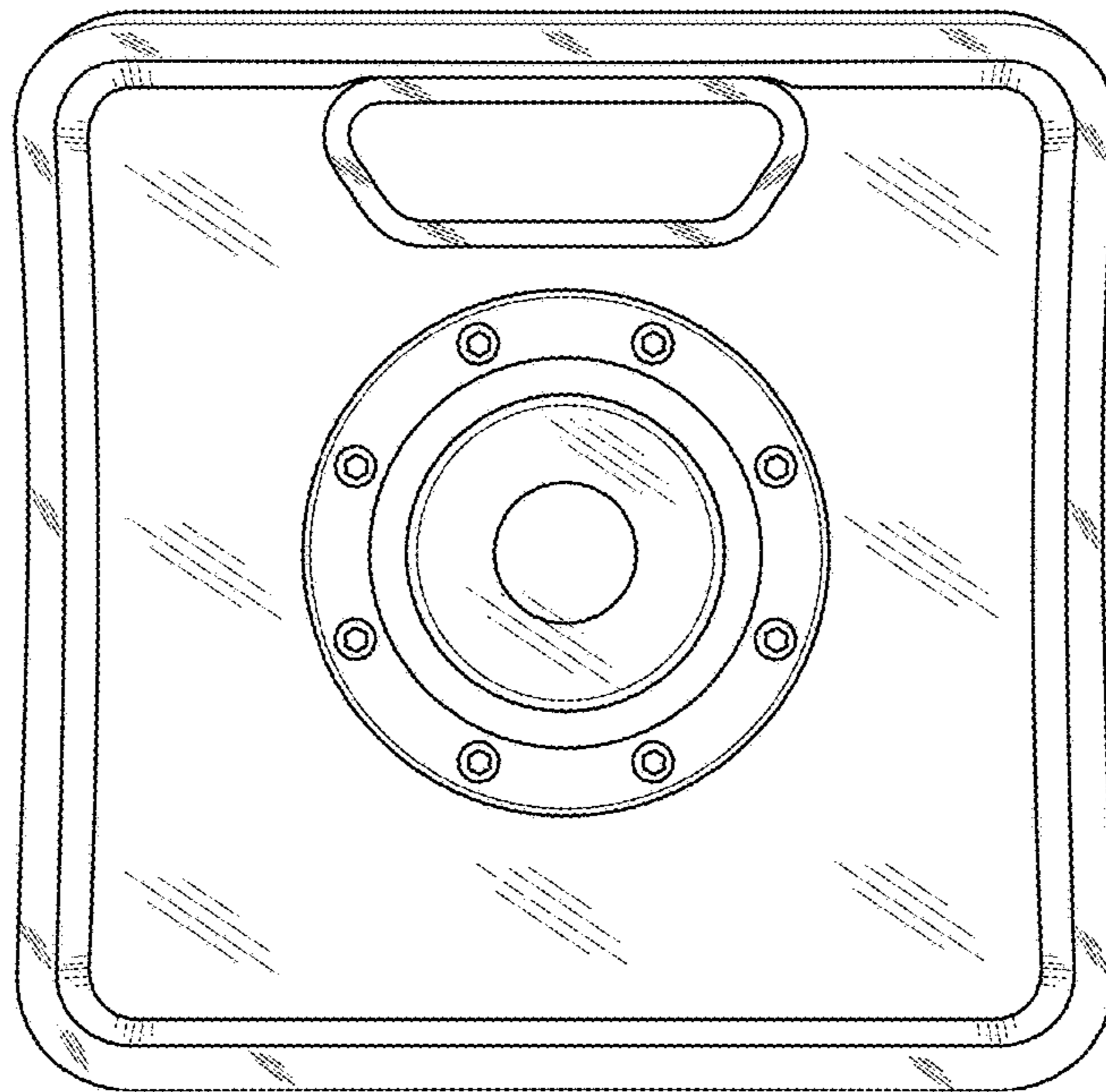


FIG. 3

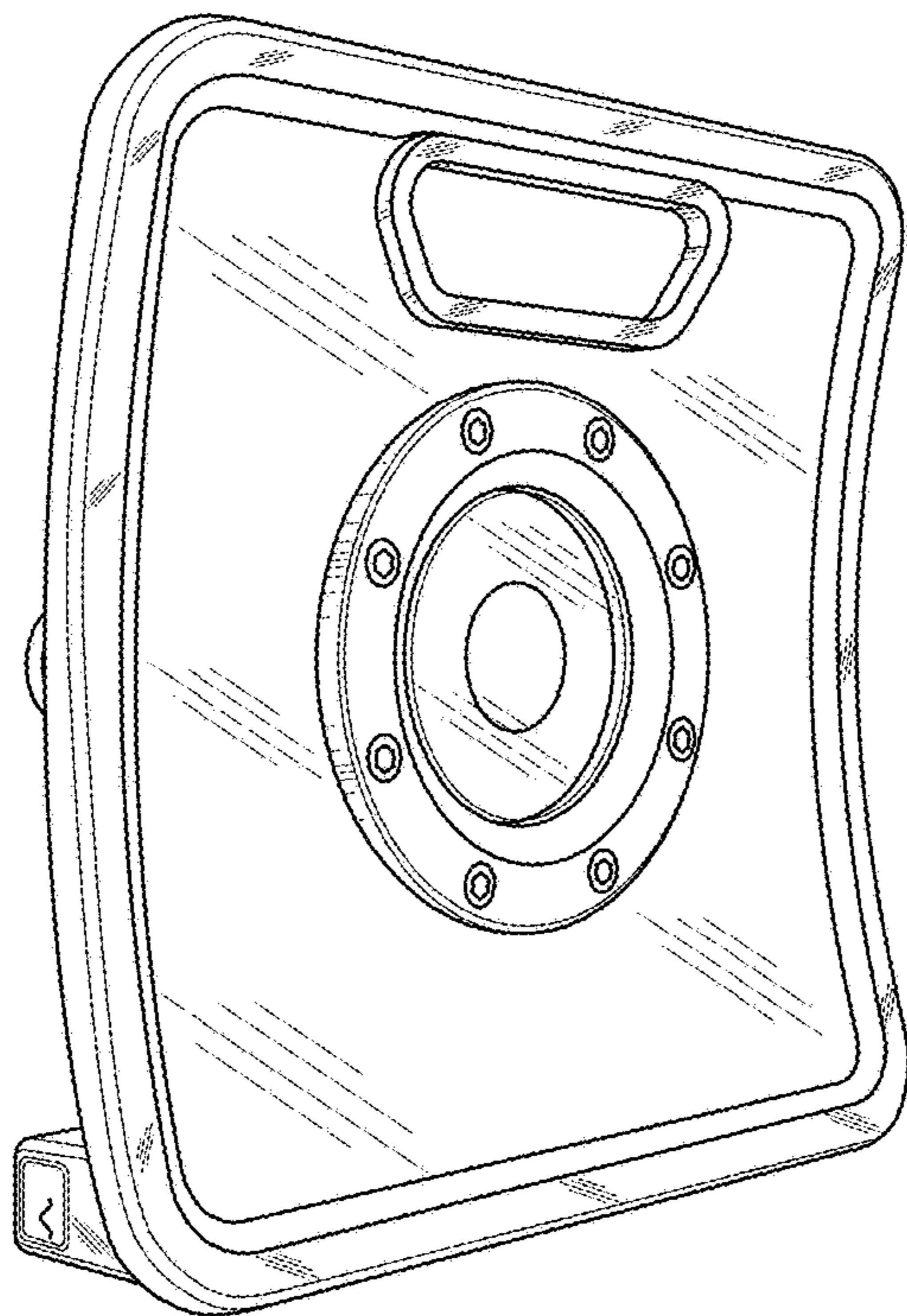


FIG. 4

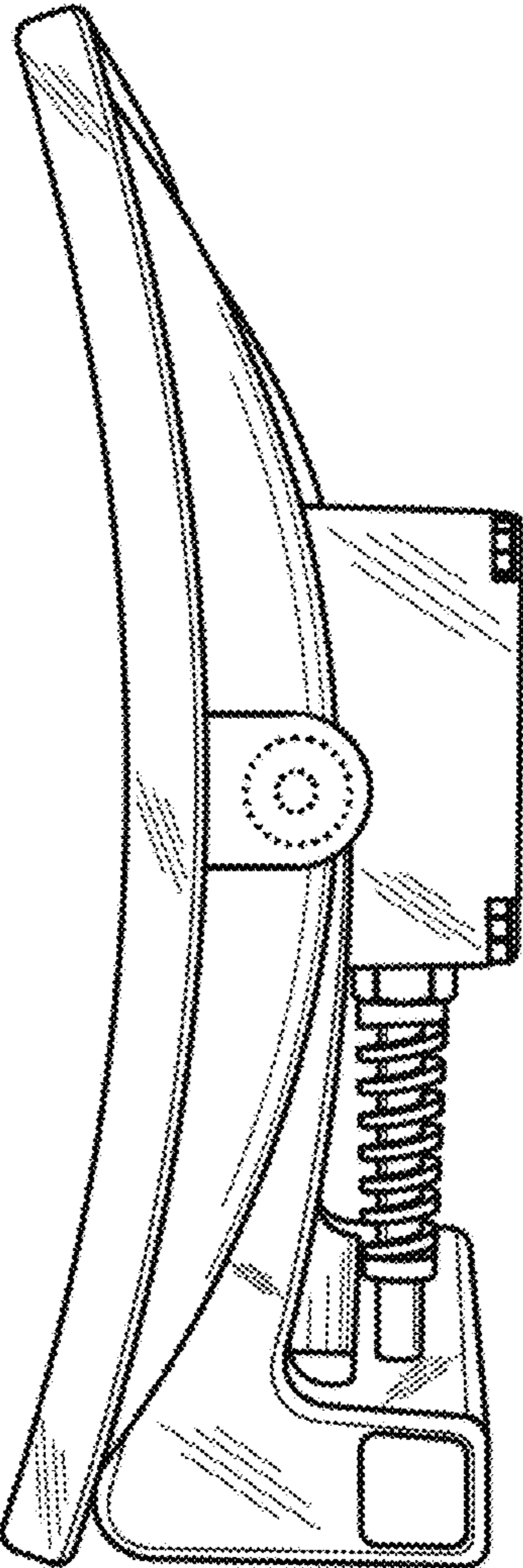


FIG. 5

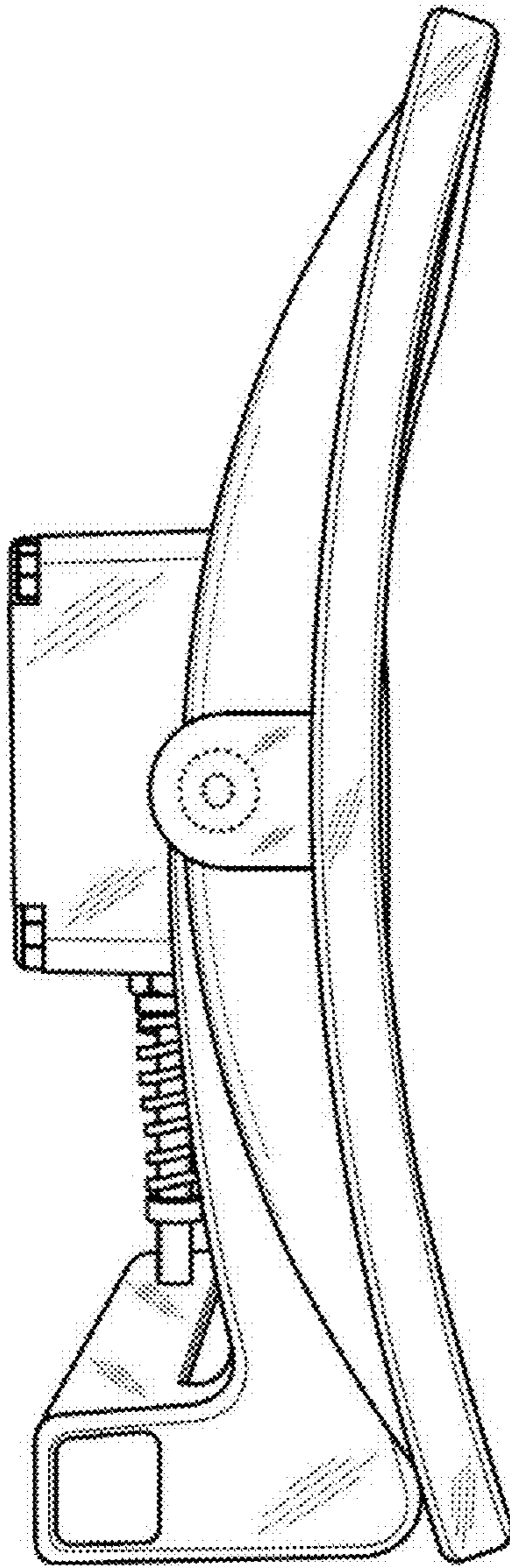


FIG. 6

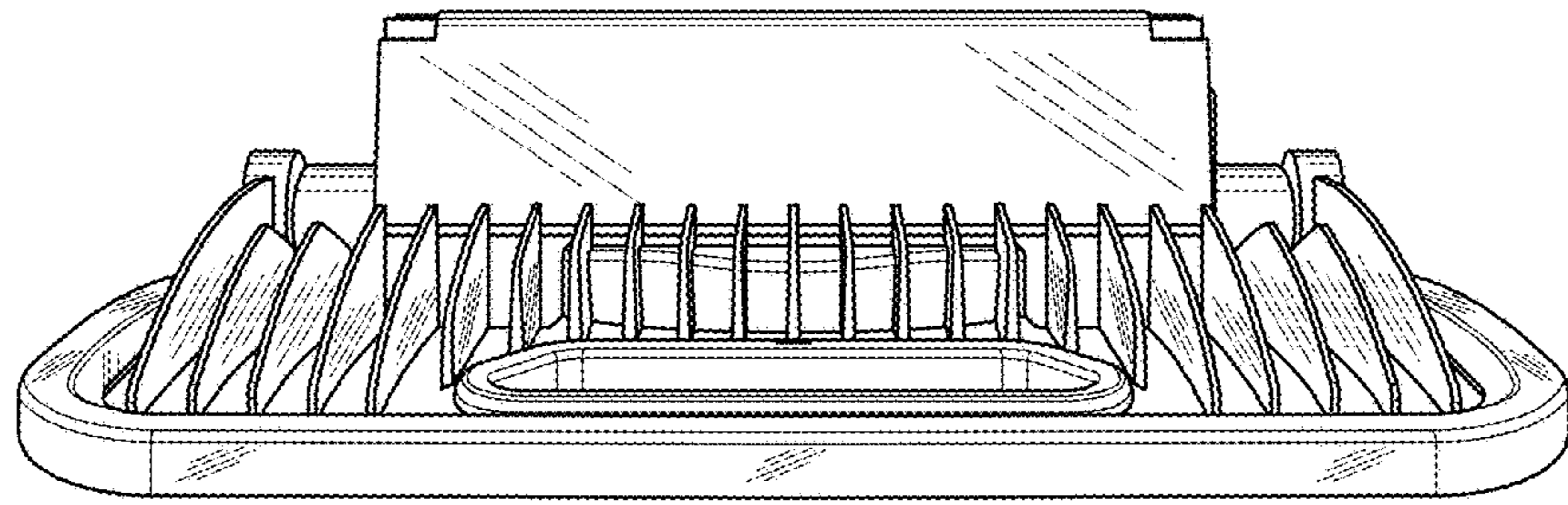


FIG. 7