

US00D841840S

(12) **United States Design Patent**
Ding et al.

(10) **Patent No.:** **US D841,840 S**
(45) **Date of Patent:** **** Feb. 26, 2019**

(54) **COMBINED LED LIGHT AND CAMERA**

D566,300 S * 4/2008 Lo D26/2
D581,555 S * 11/2008 To D26/2
D584,838 S * 1/2009 To D26/2
D610,722 S * 2/2010 Bi D26/2

(71) Applicant: **SENGLED CO., LTD.**, Shanghai (CN)

(72) Inventors: **Gang Ding**, Tongxiang (CN); **Jinxiang Shen**, Tongxiang (CN)

* cited by examiner

(73) Assignee: **SENGLED CO., LTD.**, Shanghai (CN)

Primary Examiner — Marcus A Jackson
(74) *Attorney, Agent, or Firm* — Anova Law Group, PLLC

(**) Term: **15 Years**

(21) Appl. No.: **29/627,796**

(57) **CLAIM**

(22) Filed: **Nov. 29, 2017**

The ornamental design for an combined LED light and camera, as shown and described.

(30) **Foreign Application Priority Data**

DESCRIPTION

Jun. 9, 2017 (CN) 2017 3 0234481

(51) **LOC (11) Cl.** **26-04**

(52) **U.S. Cl.**
USPC **D26/2**

(58) **Field of Classification Search**
USPC D26/1-4

CPC H01R 5/00; H01R 13/46; H01R 13/514;
H01R 31/048; H01R 19/54; H01J 5/00;
H01J 5/16; H01J 15/00; H01J 5/48; H01J
5/50; H01J 31/02; F21V 5/00

See application file for complete search history.

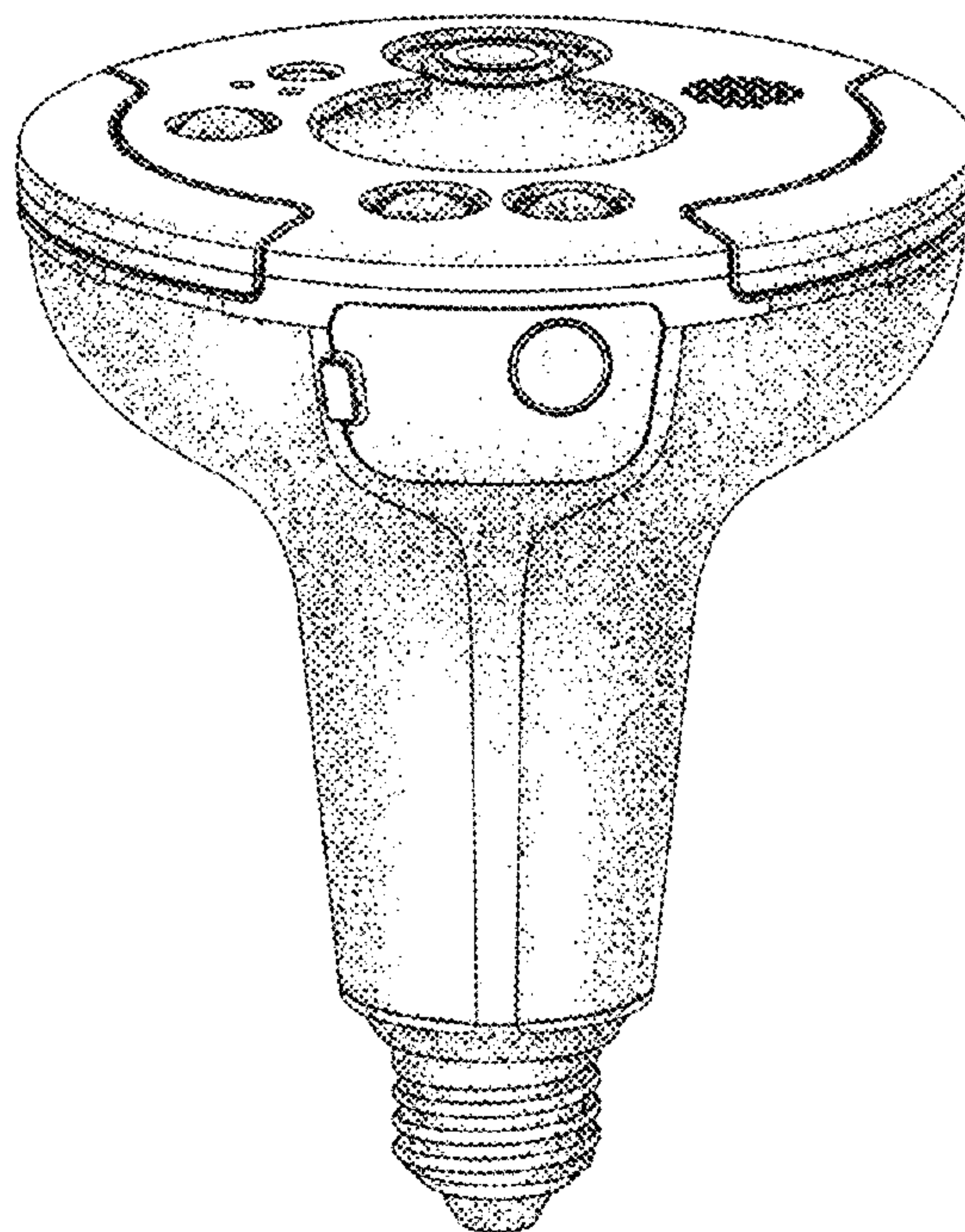
FIG. 1 is a perspective view of a combined LED light and camera in accordance with the present invention;
FIG. 2 is a front view of the combined LED light and camera shown in FIG. 1;
FIG. 3 is a back view of the combined LED light and camera shown in FIG. 1;
FIG. 4 is a left side view of the combined LED light and camera shown in FIG. 1;
FIG. 5 is a right side view of the combined LED light and camera shown in FIG. 1;
FIG. 6 is a top view of the combined LED light and camera shown in FIG. 1;
FIG. 7 is a bottom view of the combined LED light and camera shown in FIG. 1; and,
FIG. 8 is another perspective view of a combined LED light and camera in accordance with the present invention.

(56) **References Cited**

U.S. PATENT DOCUMENTS

D532,532 S * 11/2006 Maxik D26/2
D544,110 S * 6/2007 Hooker D26/2

1 Claim, 8 Drawing Sheets



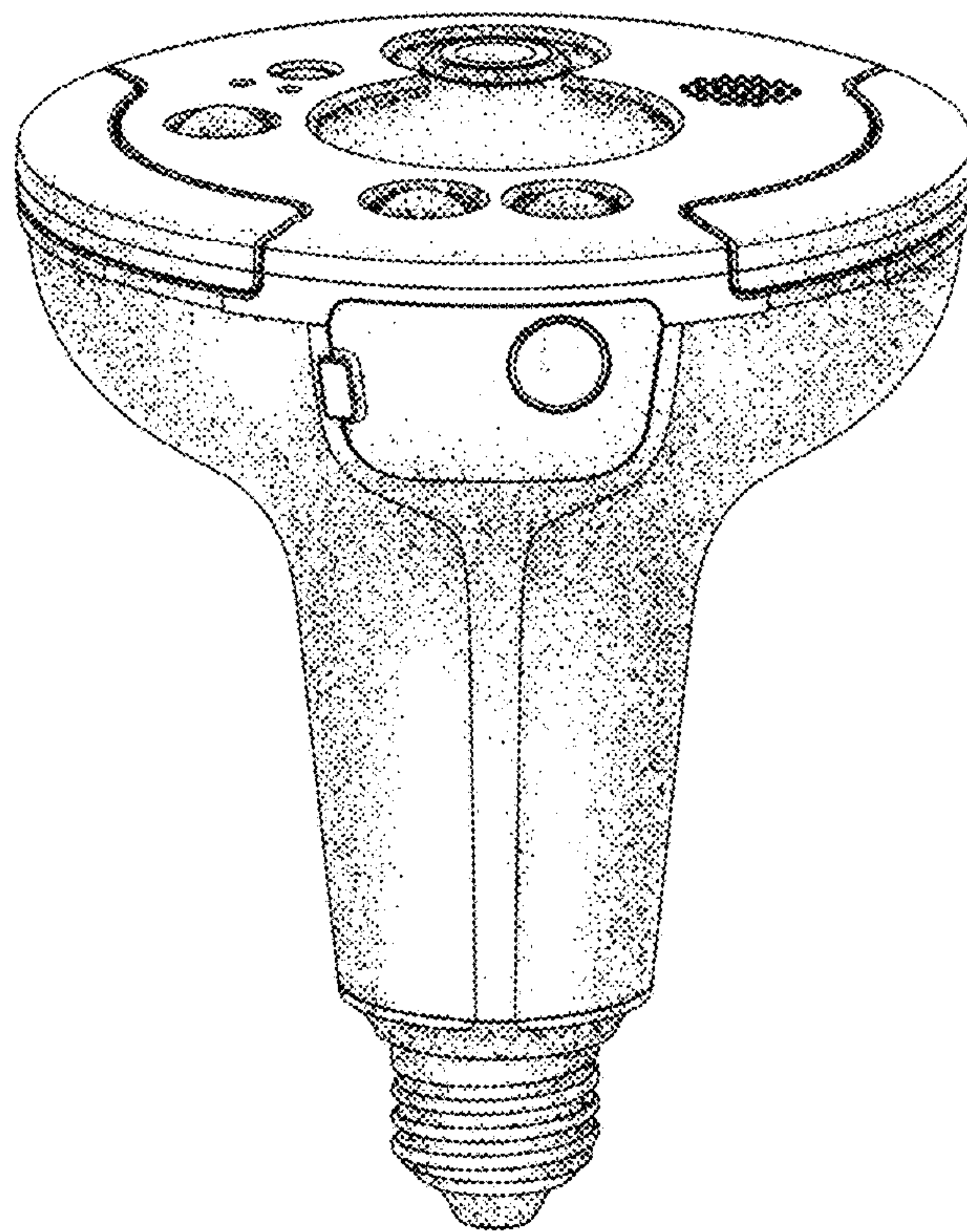


FIG. 1

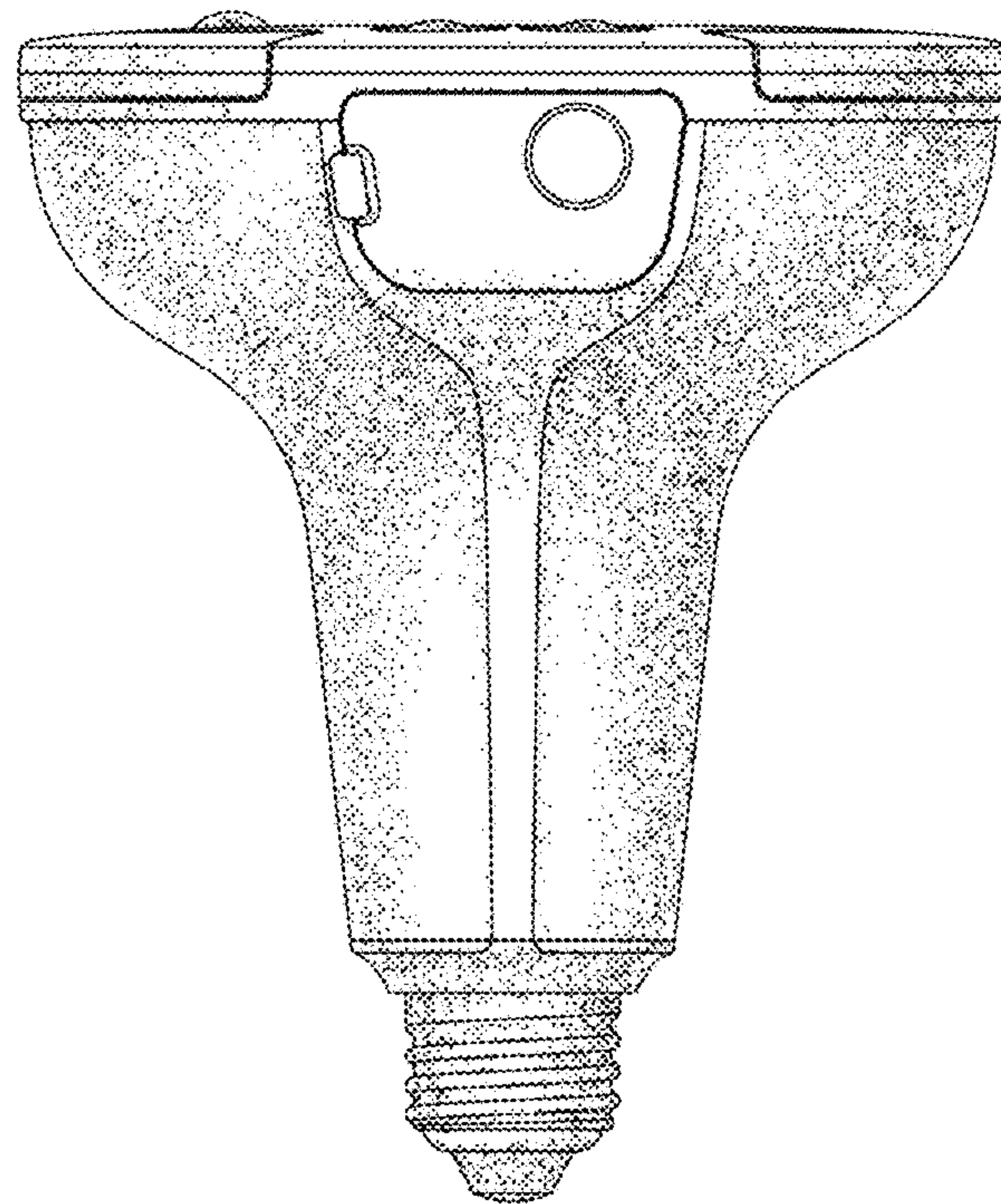


FIG. 2

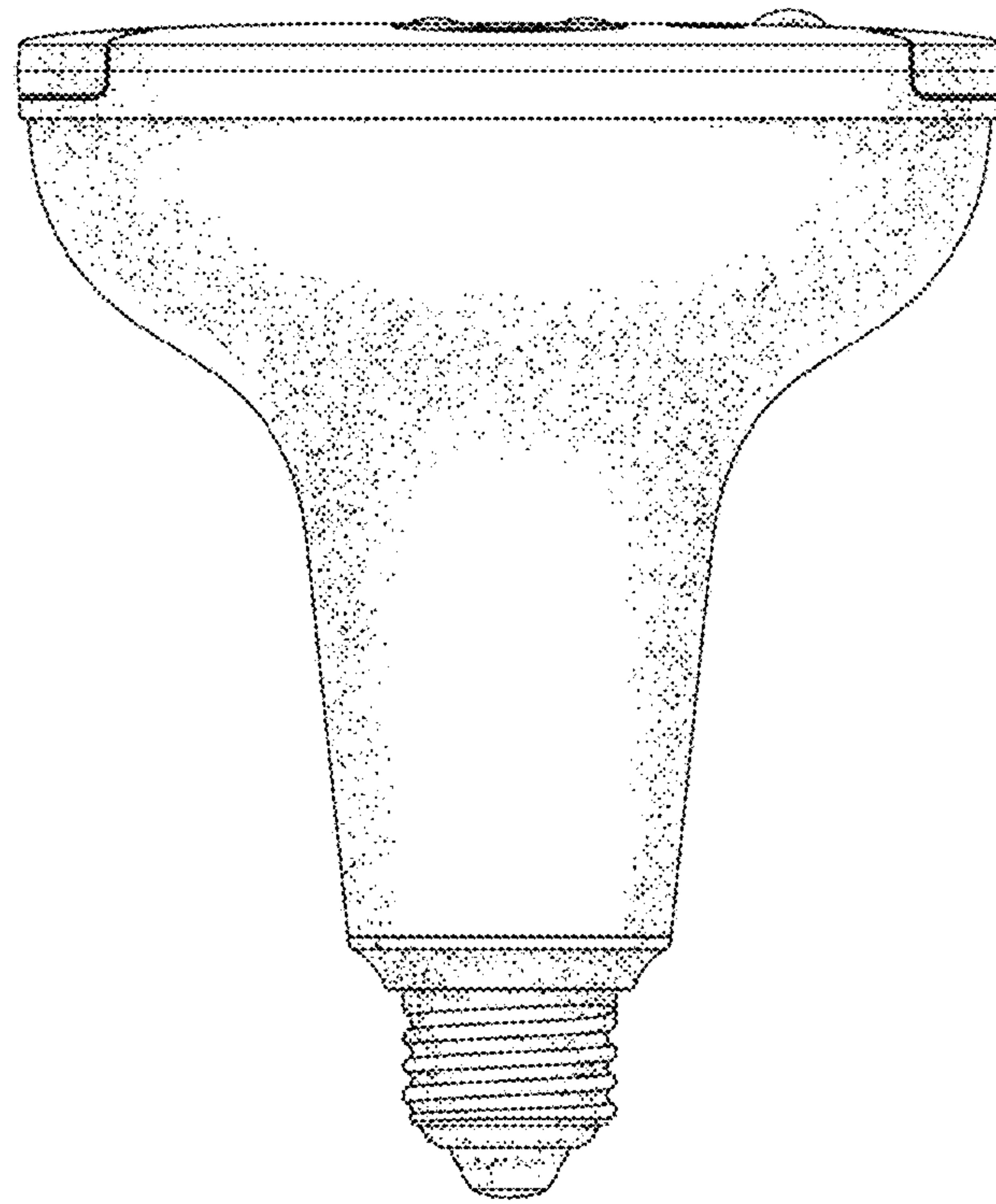


FIG. 3

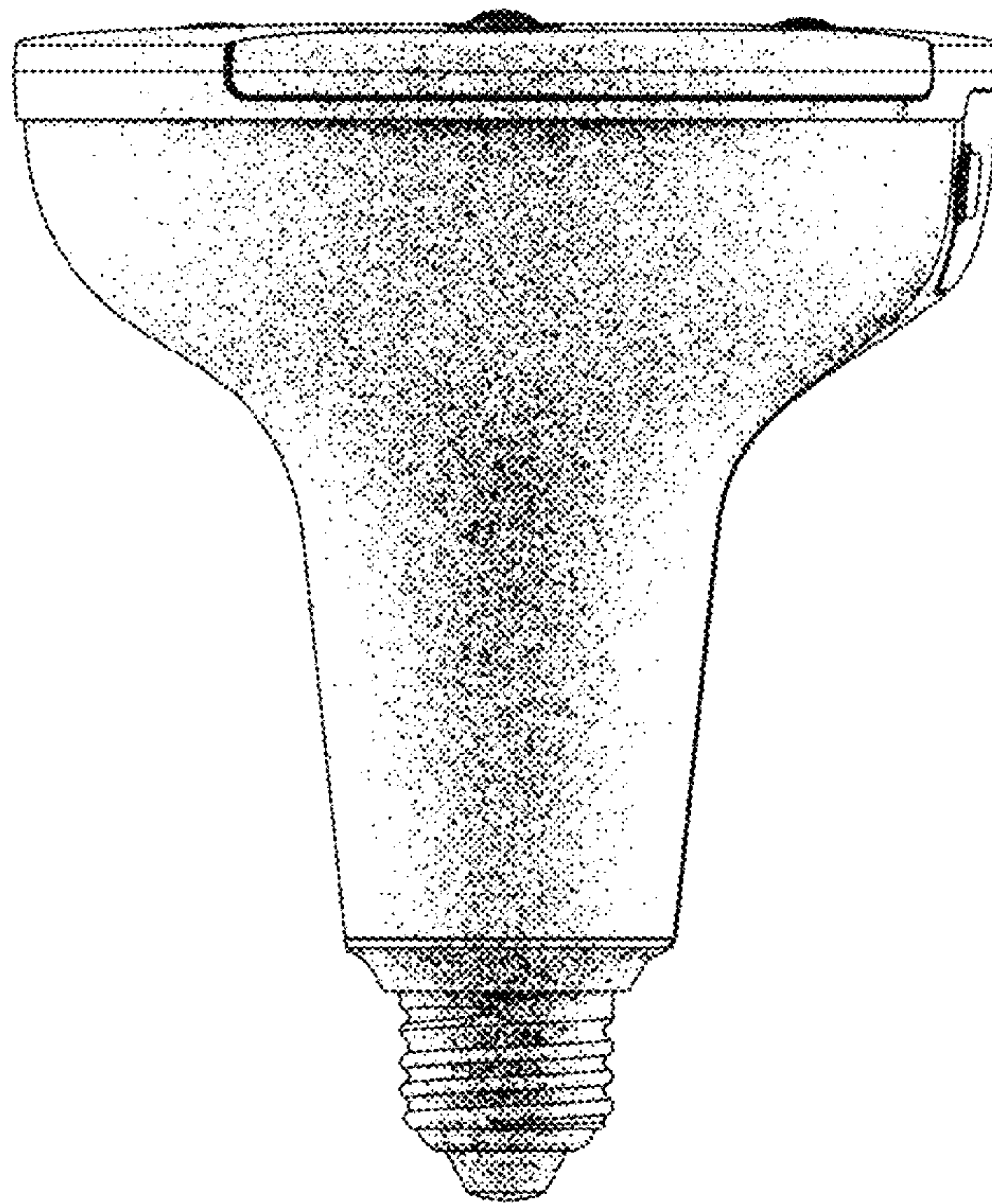


FIG. 4

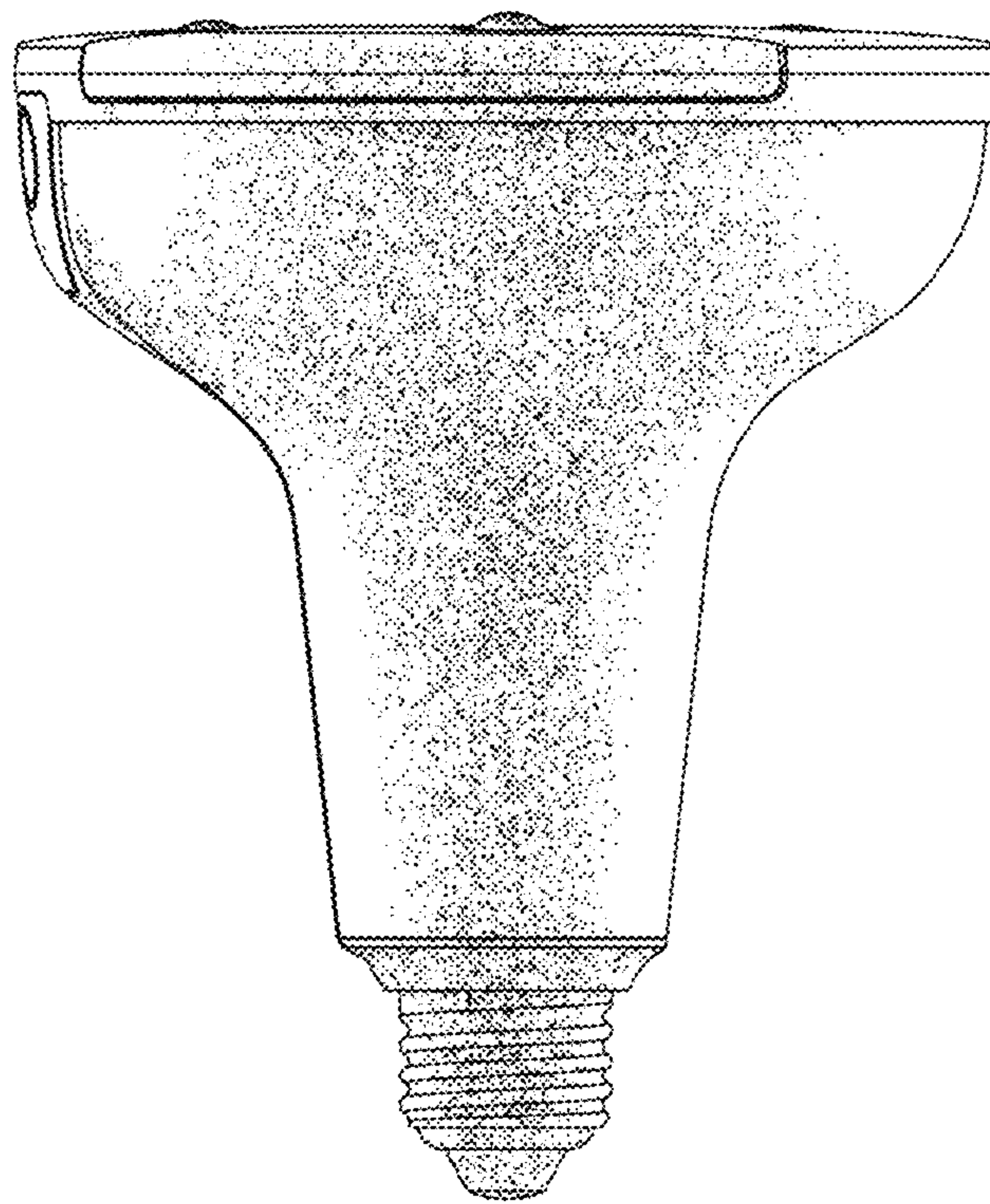


FIG. 5

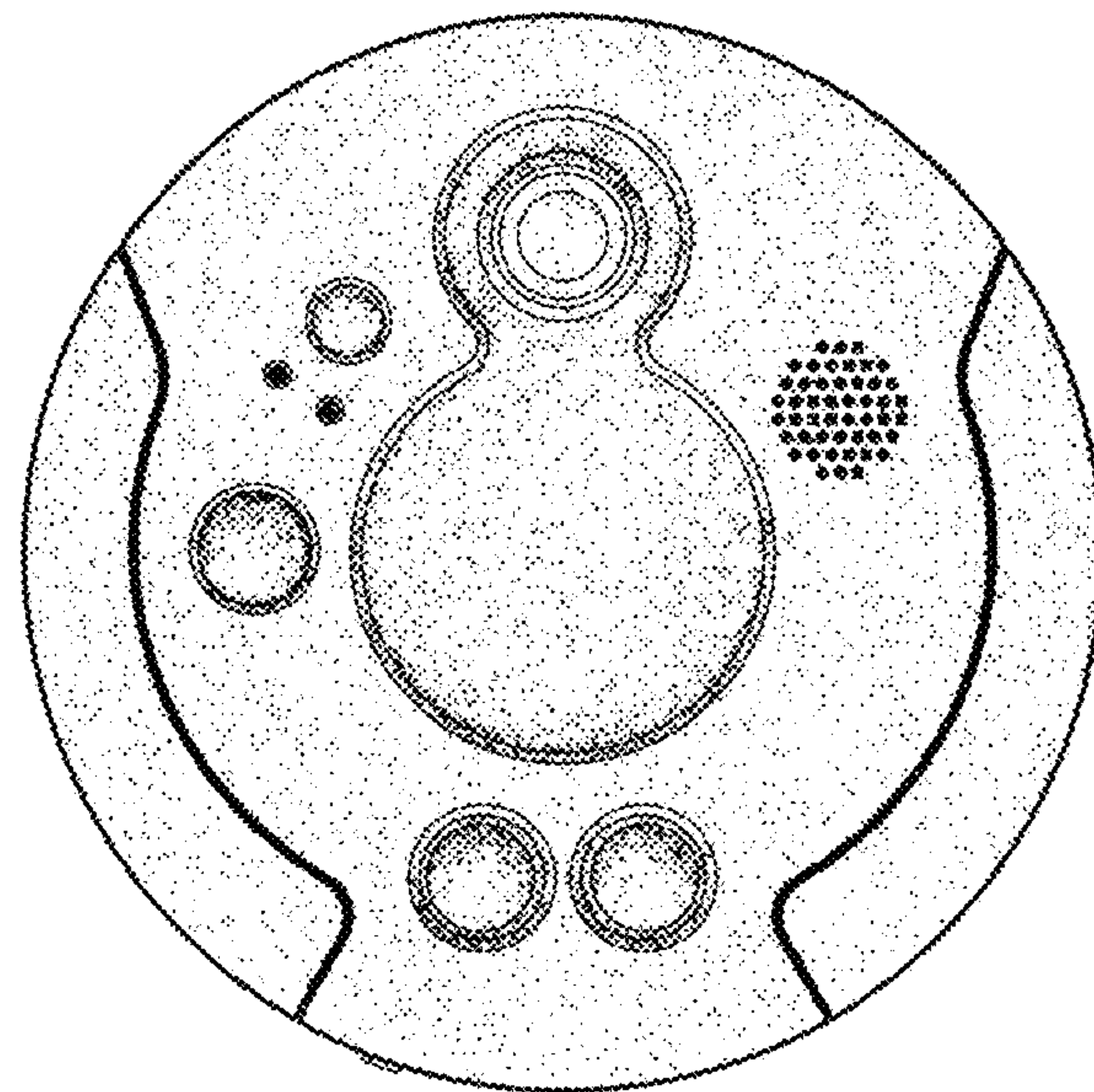


FIG. 6

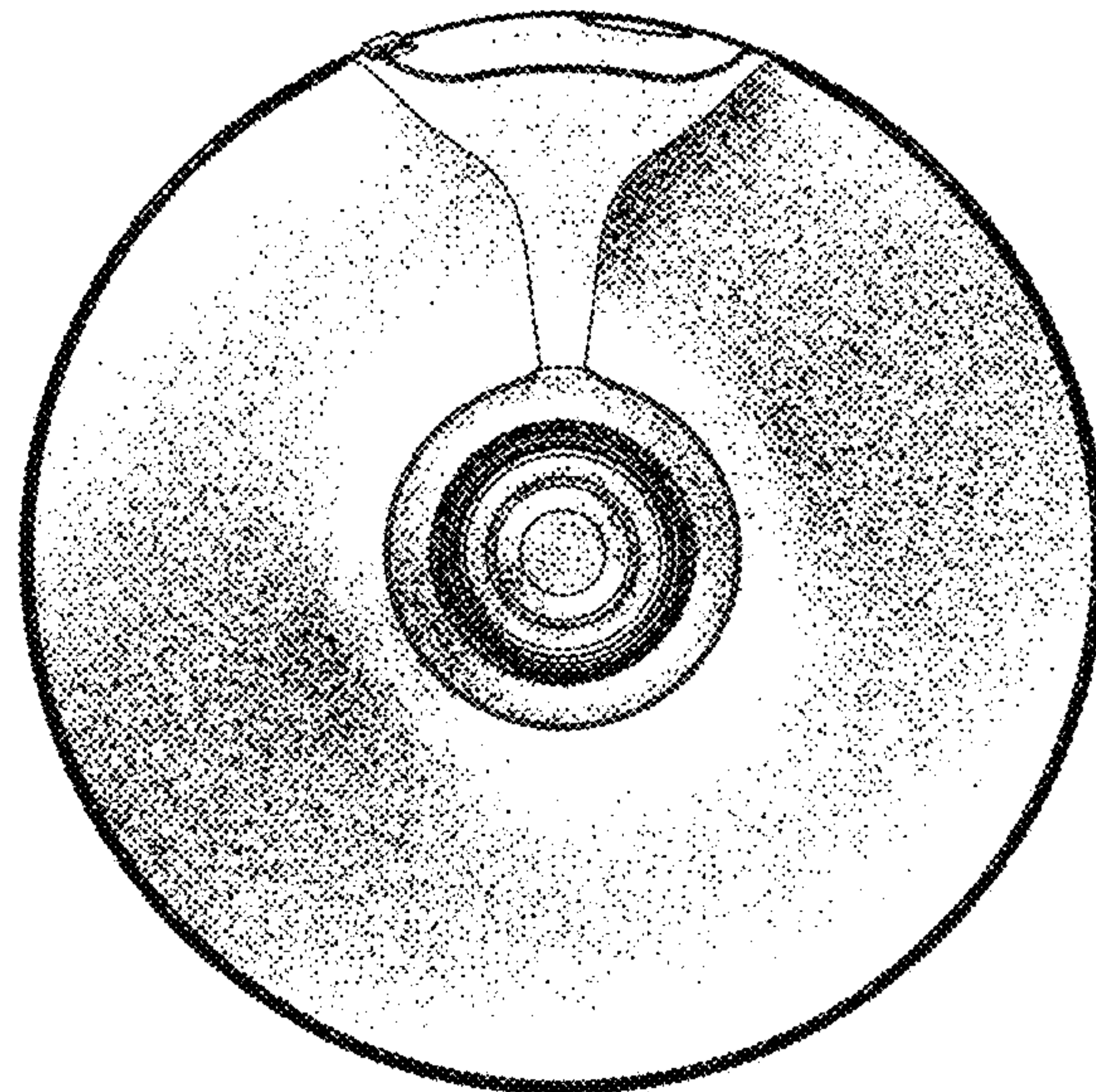


FIG. 7

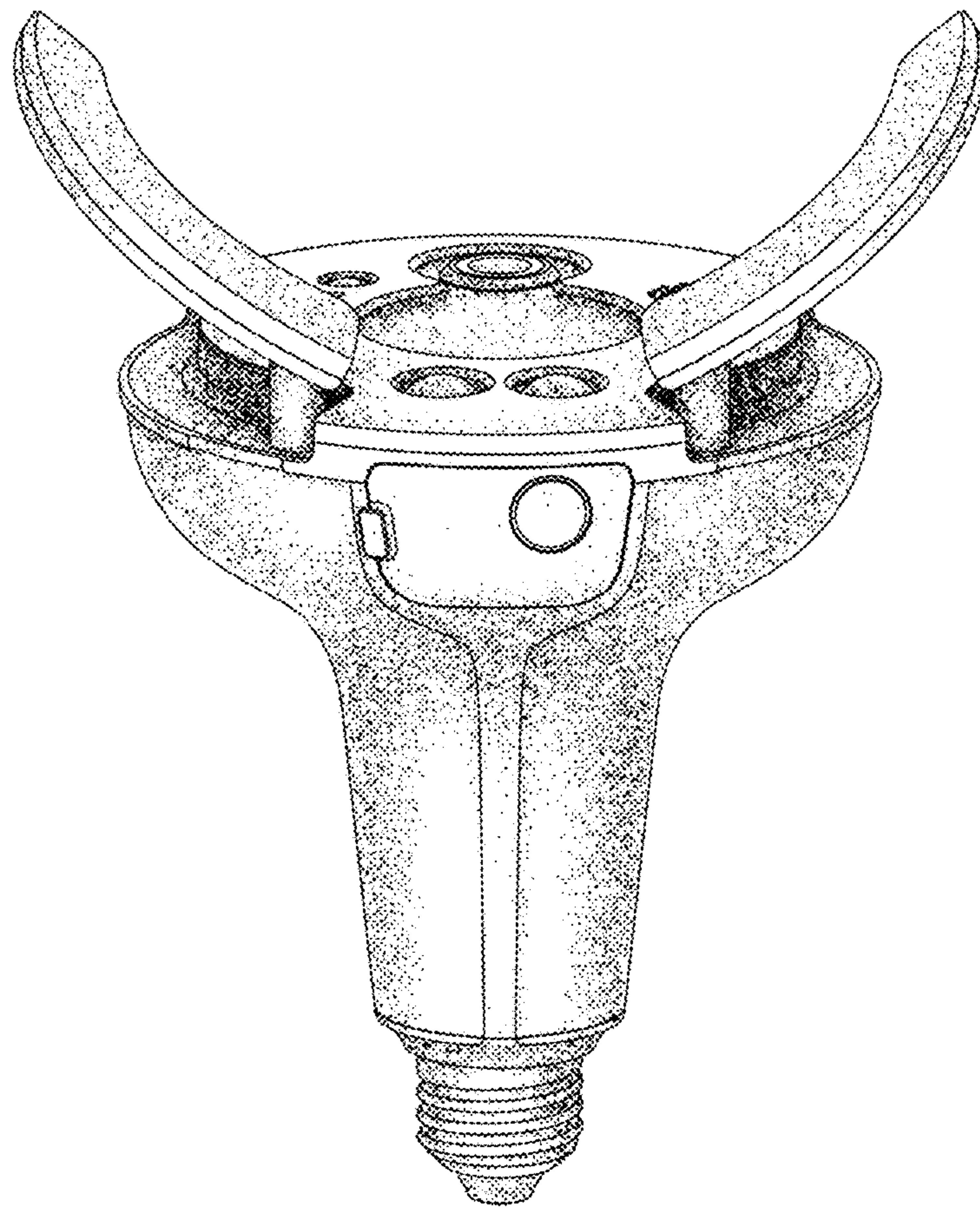


FIG. 8