



US00D841835S

(12) **United States Design Patent** (10) **Patent No.:** **US D841,835 S**
Hohwart (45) **Date of Patent:** **** *Feb. 26, 2019**

(54) **PANEL SUPPORT MEMBER**

E06B 3/9628; E04C 2003/026; E04C 3/00; E04C 3/005; E04C 3/02; E04C 3/04

(71) Applicant: **Todd A. Hohwart**, Saginaw, MI (US)

See application file for complete search history.

(72) Inventor: **Todd A. Hohwart**, Saginaw, MI (US)

(56) **References Cited**

(*) Notice: This patent is subject to a terminal disclaimer.

U.S. PATENT DOCUMENTS

(**) Term: **15 Years**

(21) Appl. No.: **29/629,777**

(22) Filed: **Dec. 15, 2017**

D267,347 S *	12/1982	Walsh	D25/124
D344,598 S *	2/1994	Ehmke	D25/124
D344,599 S *	2/1994	Ehmke	D25/124
D368,851 S *	4/1996	Cole	D8/376
D396,306 S *	7/1998	DiGiorgio	D25/125
D438,778 S *	3/2001	Ribe	D8/354
6,474,032 B1 *	11/2002	Wynn	E04F 19/02 52/405.2

(Continued)

Related U.S. Application Data

(63) Continuation of application No. 15/625,823, filed on Jun. 16, 2017.

Primary Examiner — Cynthia Ramirez

Assistant Examiner — L. Martinez

(51) **LOC (11) Cl.** **25-01**

(74) *Attorney, Agent, or Firm* — John D. Wright;

(52) **U.S. Cl.**

Dickinson Wright PLLC

USPC **D25/119**; D25/60

(57) **CLAIM**

(58) **Field of Classification Search**

I claim the ornamental design for a panel support member, as shown and described.

USPC D25/119–126, 136, 164, 199, 35, 48.2, D25/60; D26/138; D8/349, 354, 376, D8/377, 380, 381, 382; D6/702, 705, D6/705.6, 709, 709.2, 712

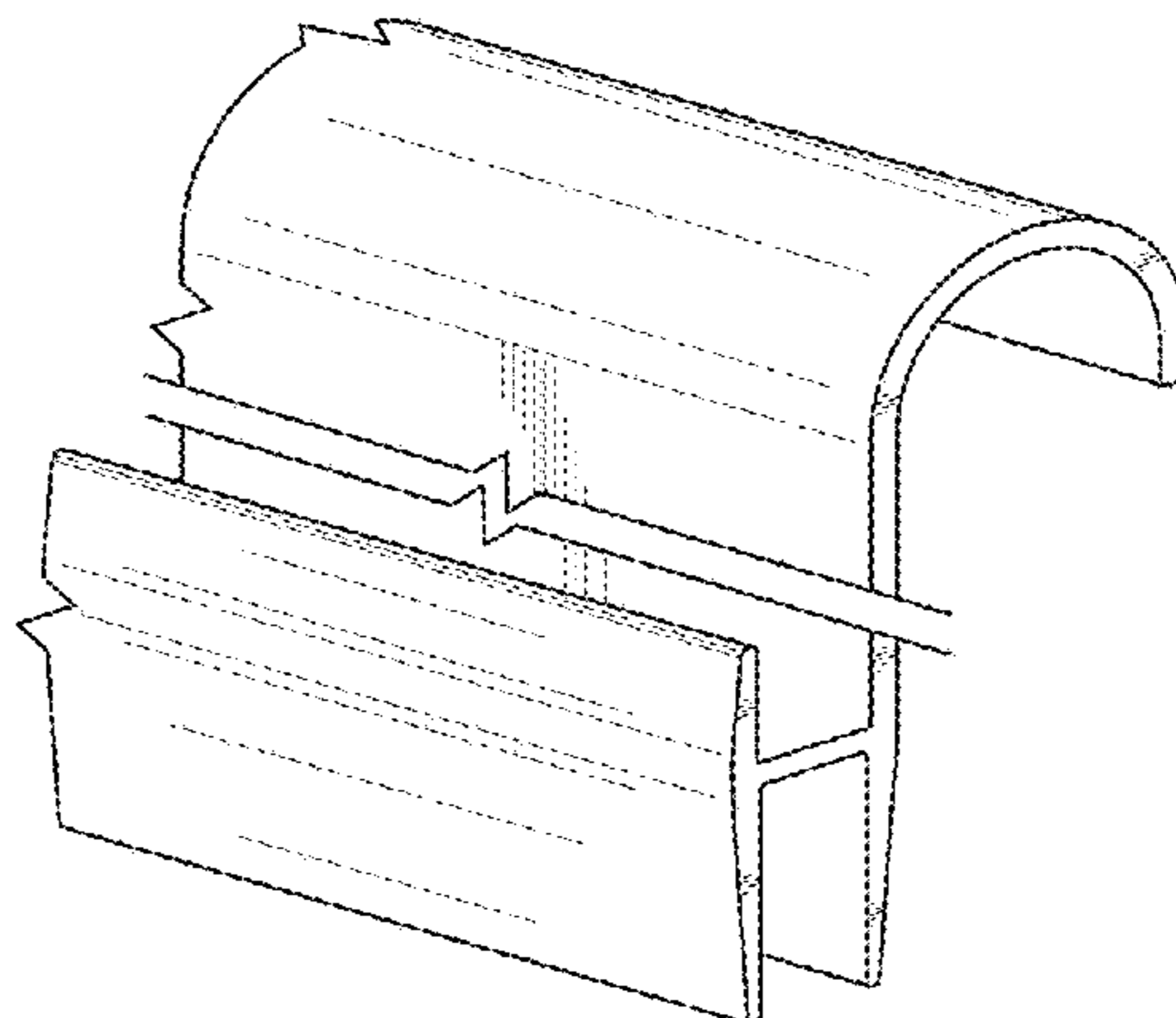
DESCRIPTION

CPC E04F 19/02; E04F 19/022; E04F 19/024; E04F 19/026; E04F 19/028; E04F 19/04; E04F 19/0436; E04F 19/0459; E04F 19/0463; E04F 19/0468; E04F 19/0481; E04F 19/0486; E04F 19/049; E04F 19/0495; E04F 19/06; E04F 19/061; E04F 19/062; E04F 19/063; E04F 19/064; E04F 19/065; E04F 19/066; E04F 19/067; E04F 19/068; E04F 2019/0413; E04F 2019/0454; E06B 1/00; E06B 1/02; E06B 1/04; E06B 1/045; E06B 1/12; E06B 1/26; E06B 1/28; E06B 1/30; E06B 1/32; E06B 1/34; E06B 1/342; E06B 1/36; E06B 1/52; E06B 3/30; E06B 3/301; E06B 3/96; E06B 3/9604; E06B 3/9612;

FIG. 1 is a perspective view of a panel support member showing my new design;
FIG. 2 is an end elevation view thereof, showing the panel support member in an environment of use;
FIG. 3 is a front view thereof;
FIG. 4 is a rear view thereof;
FIG. 5 is a top plan view thereof; and,
FIG. 6 is a bottom plan view thereof.

The dot-dot-dash lines in FIG. 2 illustrate environmental subject matter only and form no part of the claimed design. The panel support member is shown with a symbolic break in its length and height. The appearance of any portion of the panel support member beyond or between the jagged break lines forms no part of the claimed design.

1 Claim, 2 Drawing Sheets



(56)

References Cited

U.S. PATENT DOCUMENTS

D486,921 S * 2/2004 Zyburt D25/119
D507,352 S * 7/2005 Vanderbrugghen D25/126
7,200,970 B2 * 4/2007 Koenig, Jr. E04F 19/02
52/255
D620,622 S * 7/2010 Steel D25/164
D624,212 S * 9/2010 Sawyer D25/136
8,104,234 B1 * 1/2012 Sawyer E04F 19/064
52/309.8
D653,771 S * 2/2012 Olmsted D25/138
D679,419 S * 4/2013 Gori D25/119
D715,629 S * 10/2014 Grubb D8/377
8,966,839 B2 * 3/2015 Rebman E06B 3/28
52/202
9,085,903 B2 * 7/2015 Schlueter E04F 15/02005
D744,318 S * 12/2015 Laengle D8/354
D745,189 S * 12/2015 Stoesser D25/125
D794,830 S * 8/2017 Altieri, Jr. D25/48.2
D804,714 S * 12/2017 Seehof D26/138
D807,570 S * 1/2018 Klus D26/138
D808,066 S * 1/2018 Young D26/138
9,856,659 B1 * 1/2018 Paras E04F 19/0495
D814,656 S * 4/2018 Tay D6/383
D815,757 S * 4/2018 Braun D25/119
9,945,117 B2 * 4/2018 Cobb E06B 1/52
D818,186 S * 5/2018 Trzesniowski D26/138
D818,191 S * 5/2018 Trzesniowski D26/138
D818,634 S * 5/2018 Sherman D26/138

* cited by examiner

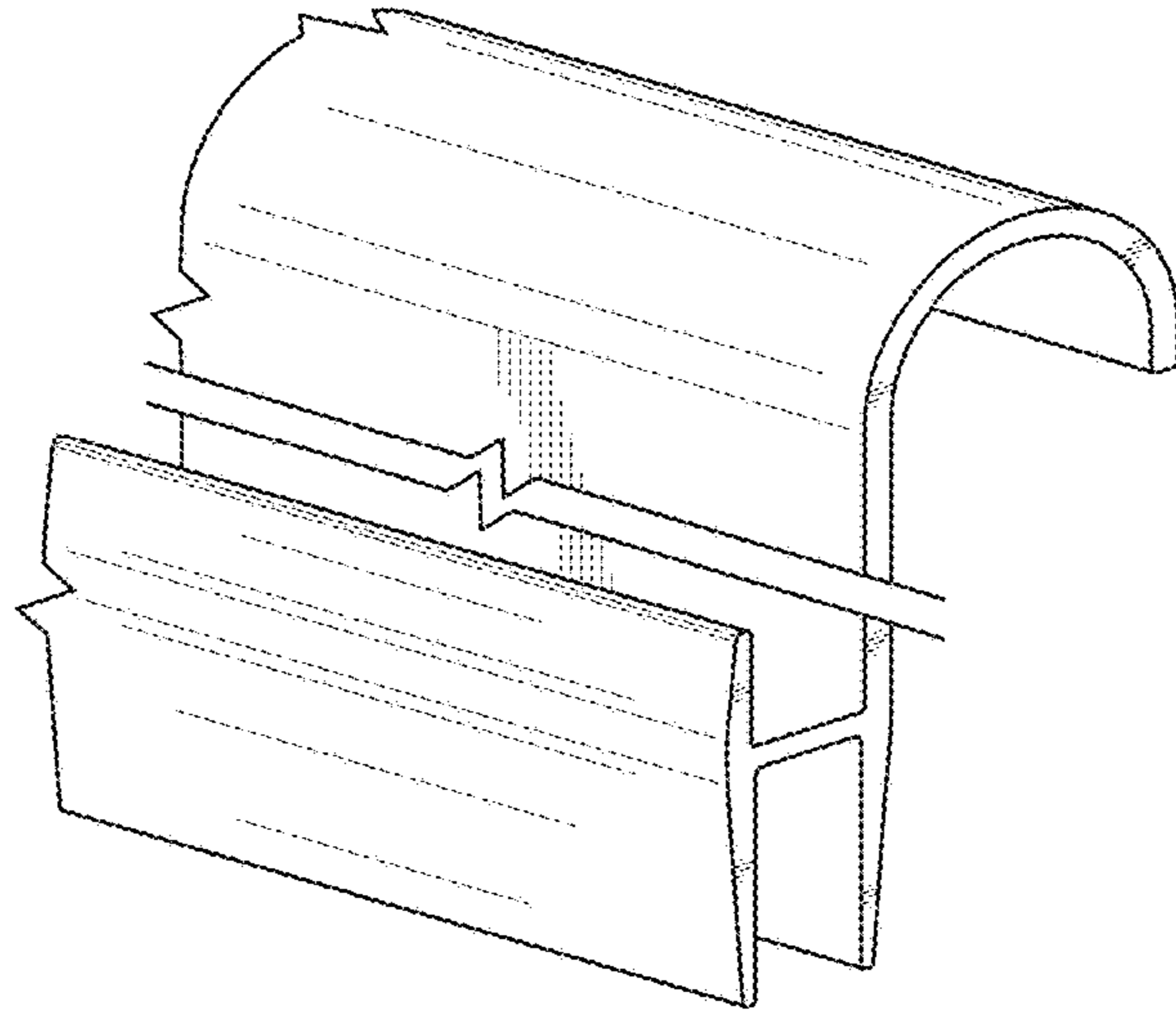


FIG. 1

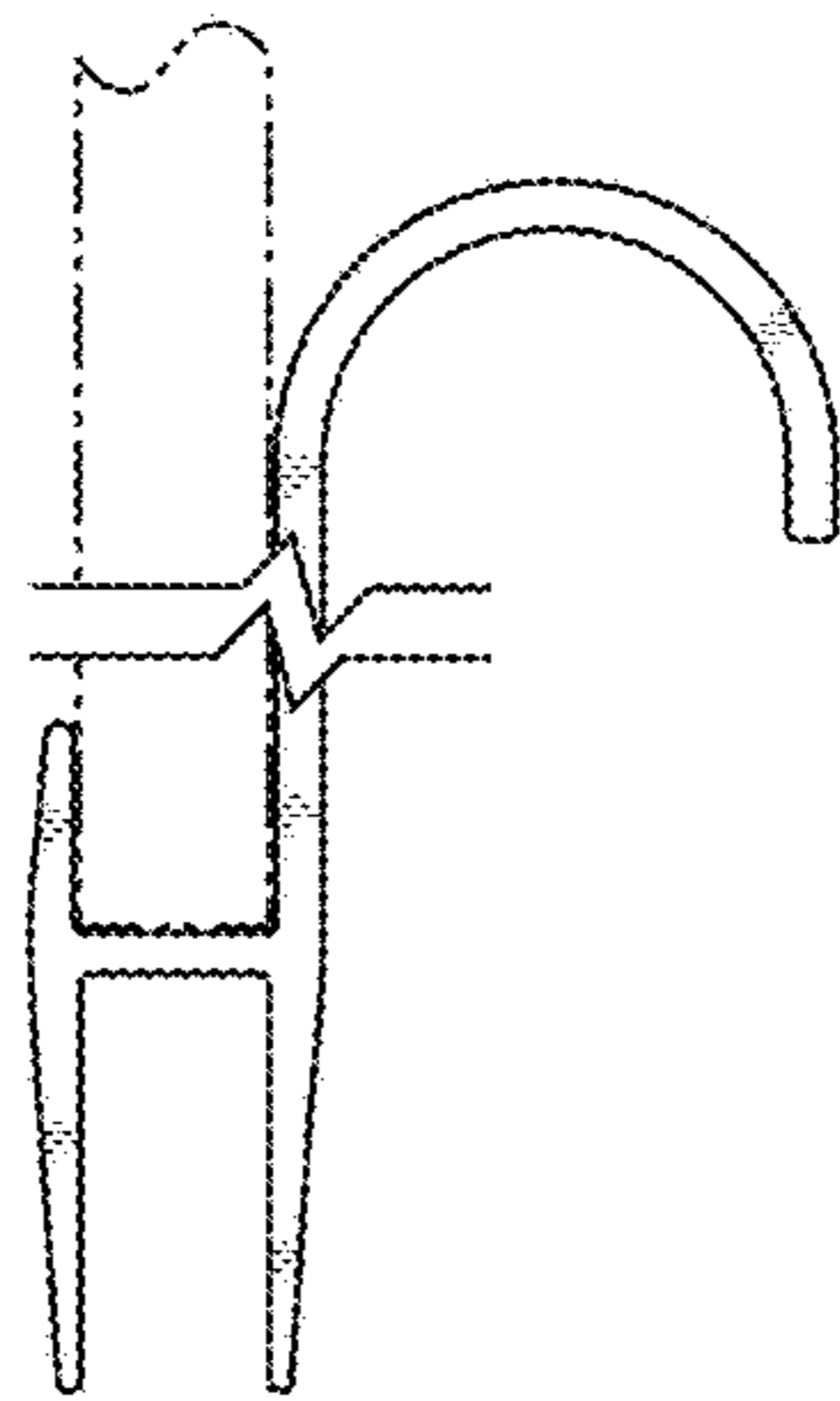


FIG. 2

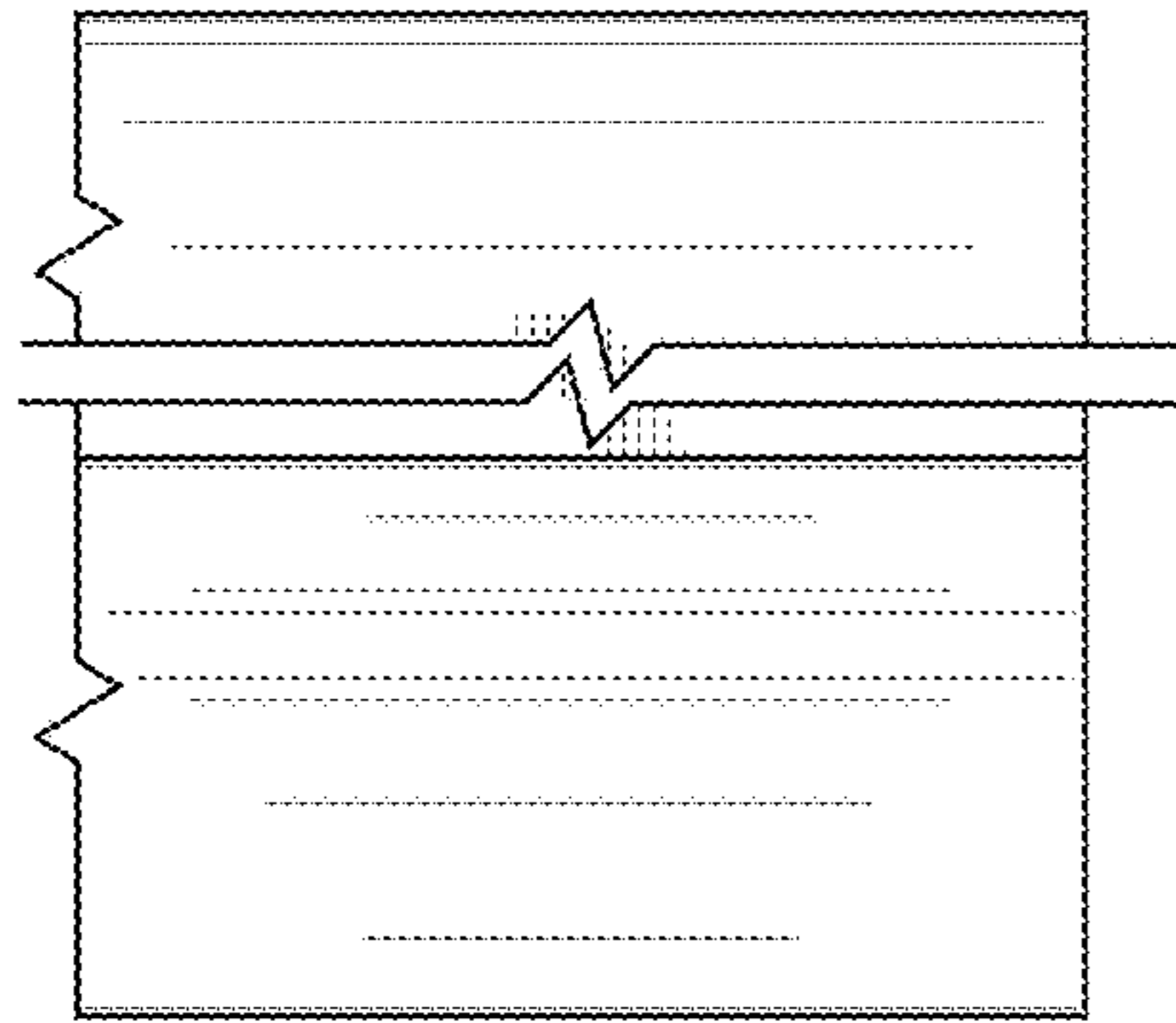


FIG. 3

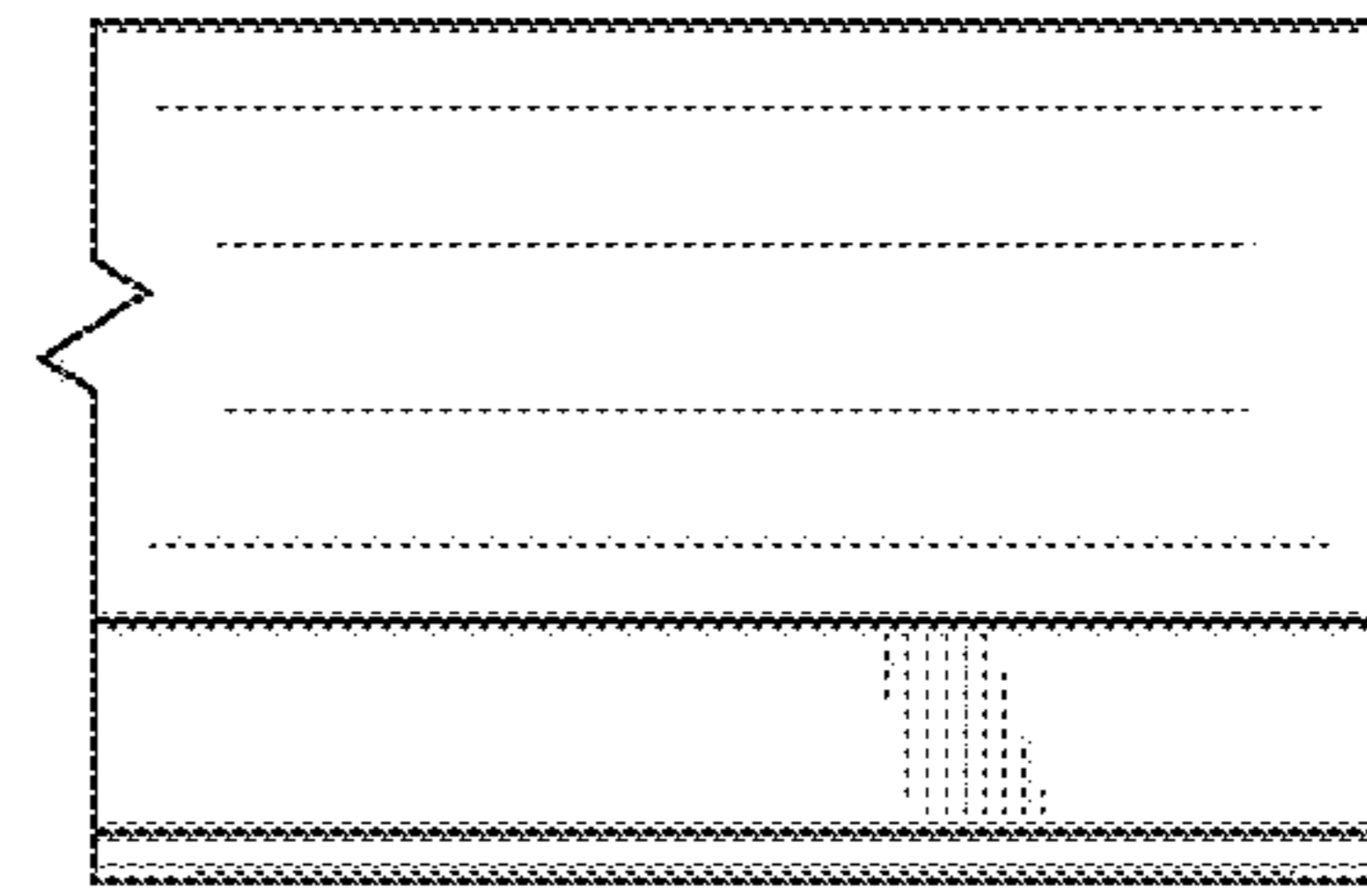


FIG. 5

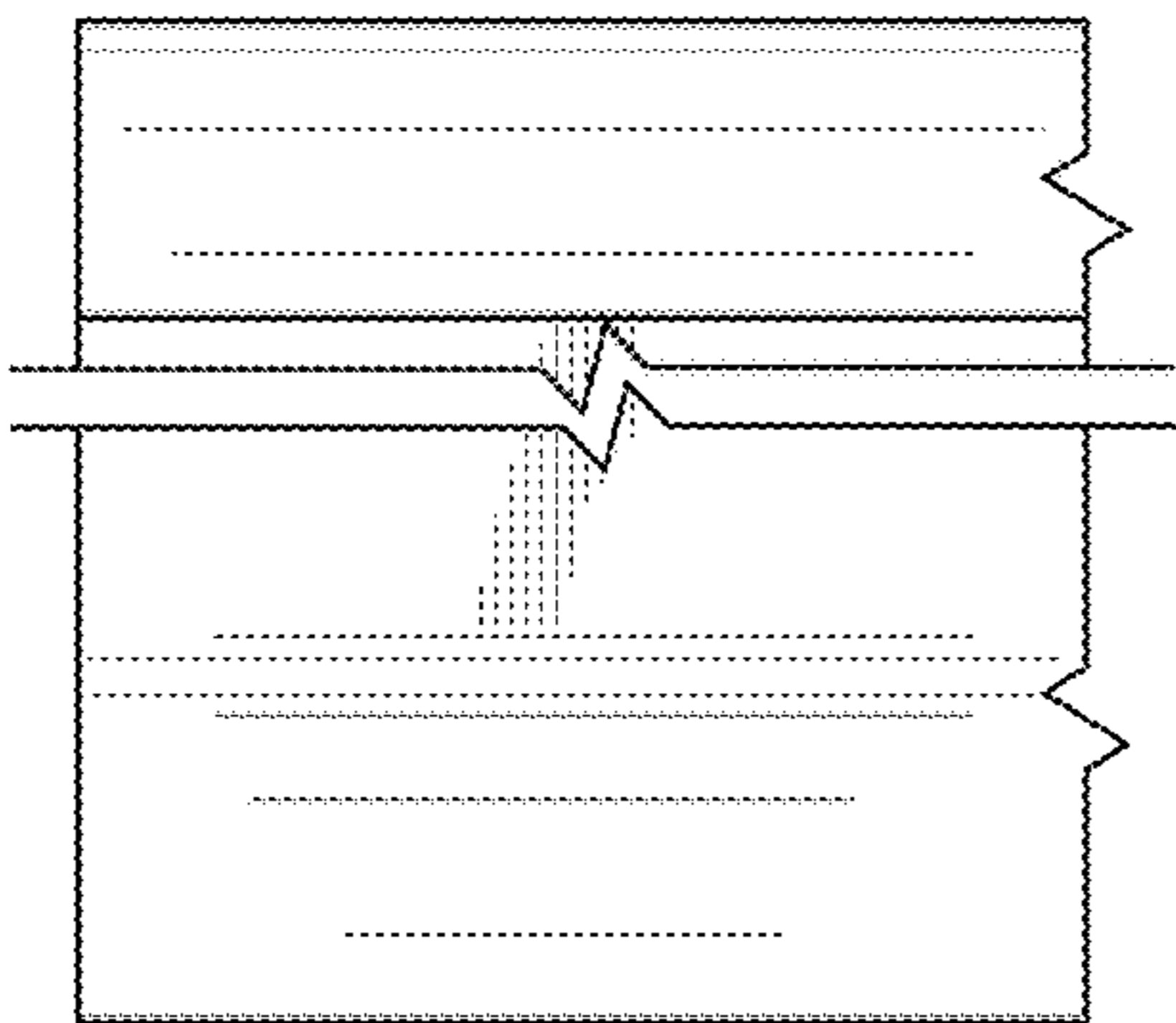


FIG. 4



FIG. 6