



US00D841833S

(12) **United States Design Patent** (10) **Patent No.:** **US D841,833 S**
Apanovich et al. (45) **Date of Patent:** **** Feb. 26, 2019**

- (54) **CHANNEL REVEAL WITH RIBBED AND PERFORATED FLANGES**
- (71) Applicant: **CLARKWESTERN DIETRICH BUILDING SYSTEMS LLC**, West Chester, OH (US)
- (72) Inventors: **Nick Joseph Apanovich**, Tampa, FL (US); **Erenio Reyes**, Miami, FL (US); **Hernando Garcia**, Doral, FL (US); **James Michael Wielinga**, Parkland, FL (US)
- (73) Assignee: **Clarkwestern Dietrich Building Systems LLC**, West Chester, OH (US)
- (**) Term: **15 Years**
- (21) Appl. No.: **29/590,212**
- (22) Filed: **Jan. 9, 2017**
- (51) **LOC (11) Cl.** **25-99**
- (52) **U.S. Cl.**
USPC **D25/119; D25/199**
- (58) **Field of Classification Search**
USPC **D25/60, 119-125, 164, 199; D23/393**
(Continued)

Primary Examiner — Cynthia Ramirez
Assistant Examiner — L. Martinez
 (74) *Attorney, Agent, or Firm* — Frost Brown Todd, LLC

(57) **CLAIM**

The ornamental design for a channel reveal with ribbed and perforated flanges, as shown and described.

DESCRIPTION

FIG. 1 is a top perspective view of a channel reveal with ribbed and perforated flanges, showing our new design; FIG. 2 is a bottom perspective view of the channel reveal with ribbed and perforated flanges of FIG. 1; FIG. 3 is a front elevational view of the channel reveal with ribbed and perforated flanges of FIG. 1; FIG. 4 is a rear elevational view of the channel reveal with ribbed and perforated flanges of FIG. 1; FIG. 5 is a left elevational view of the channel reveal with ribbed and perforated flanges of FIG. 1; FIG. 6 is a right elevational view of the channel reveal with ribbed and perforated flanges of FIG. 1; FIG. 7 is a top plan view of the channel reveal with ribbed and perforated flanges of FIG. 1; and, FIG. 8 is a bottom plan view of the channel reveal with ribbed and perforated flanges of FIG. 1. The broken lines in FIGS. 1-8 are included for purposes of illustrating portions of the channel reveal with ribbed and perforated flanges that form no part of the claimed design. The channel reveal with ribbed and perforated flanges is shown with a symbolic break in its length. The symbolic break is depicted using dash-dot lines and brackets. The appearance of any portion of the channel reveal with ribbed and perforated flanges between and including the break lines forms no part of the claimed design.

(56) **References Cited**

U.S. PATENT DOCUMENTS

- 1,224,077 A 4/1917 Grove et al.
 - 1,736,873 A 11/1929 Barton
- (Continued)

FOREIGN PATENT DOCUMENTS

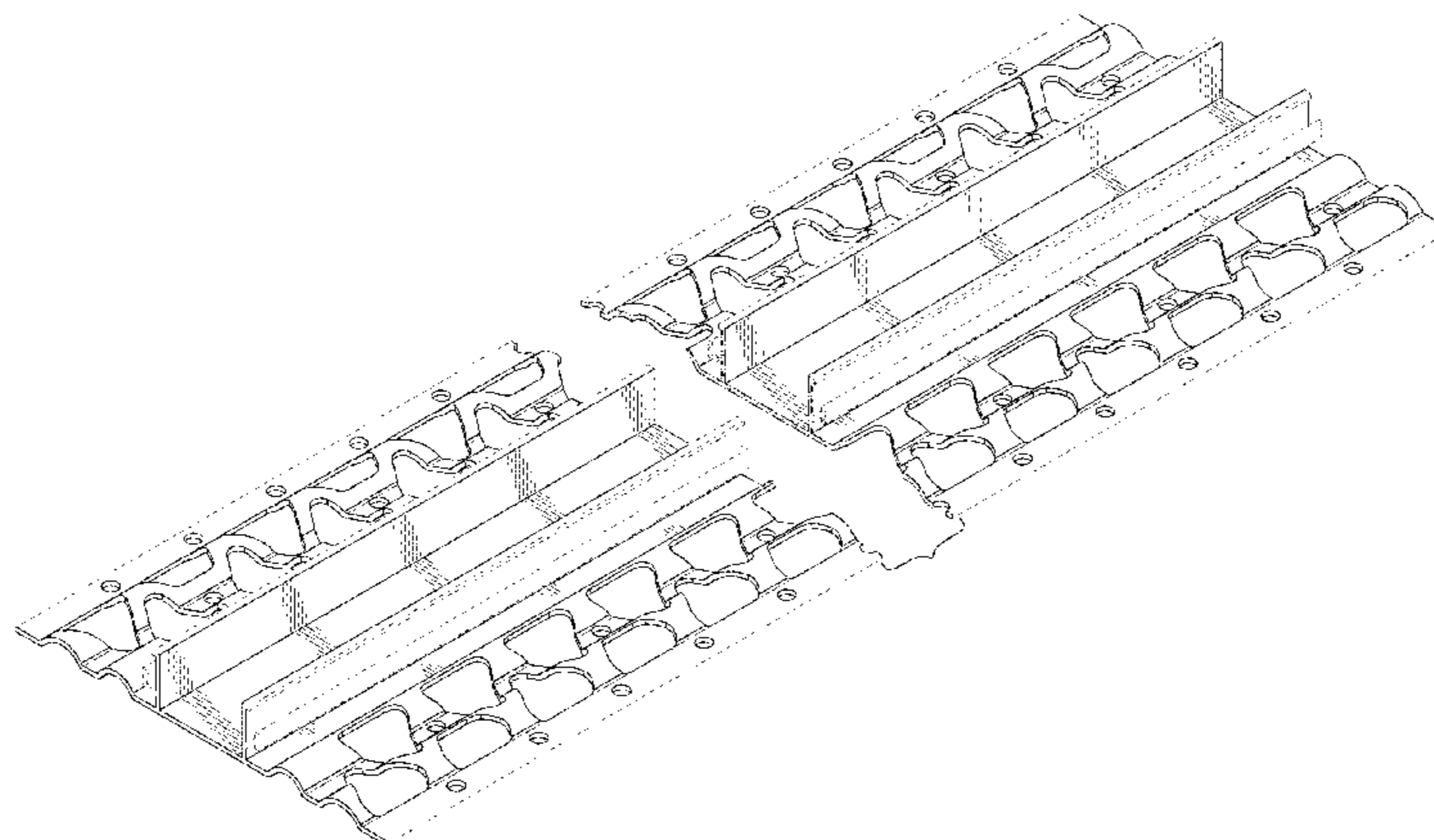
- AU 653276 9/1994
 - BE 1019998 A3 3/2013
- (Continued)

OTHER PUBLICATIONS

"#40 Two-Piece Expansion Joint," ClarkDietrich Building Systems, 2015, 1 pg., downloaded Dec. 6, 2016 from <http://www.clarkdietrich.com/products/metal-expansion-control-joints/40-two-piece-expansion-joint>.

(Continued)

1 Claim, 6 Drawing Sheets



(58) **Field of Classification Search**

CPC E04F 13/04; E04F 13/042; E04F 13/045;
 E04F 13/06; E04F 13/068; E04F 13/07;
 E04F 2013/061; E04F 2013/063; E04F
 2013/065; E04F 2013/066; E04F 19/02;
 E04F 19/022; E04F 19/024; E04F 19/026;
 E04F 19/028; E04F 19/04; E04F 19/0436;
 E04F 19/06; E04B 1/54; E04B 1/68;
 E04B 1/6801; E04B 1/6803; E04B
 1/6806; E04B 1/6807; E04B 1/6809;
 E04B 1/681; E04B 1/6812; E04B 1/6813;
 E04B 1/6815; E04B 1/6816

See application file for complete search history.

6,698,144 B1 3/2004 Larson
 6,751,919 B2* 6/2004 Calixto E04B 1/6816
 404/49
 D503,227 S 3/2005 Rodolfo et al.
 D503,469 S 3/2005 Rodolfo et al.
 D529,630 S 10/2006 Zarb
 7,200,970 B2 4/2007 Koenig, Jr. et al.
 D551,783 S 9/2007 Lowman
 7,296,387 B2 11/2007 Milu
 D575,139 S 8/2008 LePoire et al.
 7,634,883 B1* 12/2009 Larson E04F 13/06
 52/393

7,654,049 B2 2/2010 Koenig, Jr. et al.
 7,673,428 B1 3/2010 Smythe
 7,757,450 B2 7/2010 Reyes et al.
 D652,532 S 1/2012 Letham
 D652,955 S 1/2012 Budzik
 D656,603 S 3/2012 Egan et al.
 8,511,016 B2 8/2013 Smythe, Jr.
 D693,483 S 11/2013 Krieger
 8,584,416 B2 11/2013 Chenier et al.
 8,615,950 B1 12/2013 Gomes
 D700,717 S 3/2014 Campacci
 D703,306 S 4/2014 Little et al.
 D703,307 S 4/2014 Little et al.
 D711,556 S 8/2014 Singh
 8,869,491 B2 10/2014 Little et al.
 8,875,468 B2 11/2014 Dhinjan
 8,910,437 B2 12/2014 Robertson
 D742,546 S 11/2015 Singh
 9,200,454 B2 12/2015 Little et al.
 9,303,413 B2 4/2016 Koenig, Jr. et al.
 D761,971 S 7/2016 Apanovich et al.
 D762,310 S 7/2016 Apanovich et al.
 9,422,730 B2 8/2016 Curtis et al.
 9,428,917 B2* 8/2016 Rodler E04F 13/06
 9,435,114 B1* 9/2016 Preston E04F 13/06
 D768,877 S 10/2016 Mumford, Sr.
 D768,878 S 10/2016 Mumford, Sr.
 D768,879 S 10/2016 Mumford, Sr.
 D768,880 S 10/2016 Mumford, Sr.
 D768,881 S 10/2016 Mumford, Sr.
 D768,882 S 10/2016 Mumford, Sr.
 D769,459 S 10/2016 Mumford, Sr.
 D769,460 S 10/2016 Mumford, Sr.
 D769,461 S 10/2016 Mumford, Sr.
 D769,462 S 10/2016 Mumford, Sr.
 D771,838 S 11/2016 Mumford, Sr.
 9,494,235 B2 11/2016 Winslow et al.
 D774,214 S 12/2016 Mumford, Sr.
 D792,610 S* 7/2017 Smith D25/119
 D800,344 S 10/2017 Apanovich et al.
 D800,345 S* 10/2017 Apanovich D25/119
 D800,346 S* 10/2017 Apanovich D25/119
 D800,921 S 10/2017 Apanovich et al.
 2005/0172571 A1 8/2005 Koenig, Jr. et al.
 2006/0150553 A1* 7/2006 Reyes E04F 13/06
 52/393
 2007/0022685 A1 2/2007 Koenig, Jr. et al.
 2012/0110936 A1 5/2012 Egan et al.
 2014/0260019 A1 9/2014 Conboy
 2016/0340908 A1* 11/2016 Apanovich E04F 13/06
 2016/0348357 A1* 12/2016 Smith E04F 13/06
 2018/0051470 A1 2/2018 Smith et al.

(56)

References Cited

U.S. PATENT DOCUMENTS

1,853,310 A 4/1932 Marks
 1,958,391 A* 5/1934 Hall E01C 11/123
 404/47
 2,167,998 A 8/1939 Reid
 2,224,148 A* 12/1940 Fischer E01C 11/14
 404/61
 2,350,790 A 6/1944 McCarthy
 2,679,156 A* 5/1954 McFarland E04F 13/04
 52/371
 D200,699 S 3/1965 Pappas
 3,192,577 A 7/1965 Thomas
 3,295,268 A* 1/1967 Gaither E04F 13/06
 52/255
 3,412,512 A 11/1968 Hollister
 3,515,373 A* 6/1970 Abbe E04H 17/063
 256/32
 3,754,367 A 8/1973 O’Kinski et al.
 D230,583 S 3/1974 La Borde
 3,964,220 A* 6/1976 Rutkowski E04F 13/06
 52/100
 D250,420 S 11/1978 Ward
 4,374,442 A* 2/1983 Hein E01D 19/06
 14/73.1
 4,825,612 A* 5/1989 Tupman E04F 19/062
 52/288.1
 5,269,624 A 12/1993 Kramer
 5,365,713 A 11/1994 Nicholas et al.
 5,419,084 A 5/1995 Sankey et al.
 5,423,154 A* 6/1995 Maylon E04F 13/06
 52/364
 5,477,643 A* 12/1995 Koenig, Jr. E04F 13/06
 52/100
 5,531,051 A* 7/1996 Chenier, Jr. E04F 13/06
 52/255
 5,625,986 A 5/1997 Mansfield et al.
 5,649,784 A* 7/1997 Ricaud E01C 11/103
 14/73.1
 5,699,638 A* 12/1997 Maylon E04F 13/06
 52/255
 5,761,866 A* 6/1998 Maylon E04F 13/06
 156/258
 5,946,870 A 9/1999 Bifano et al.
 5,970,671 A 10/1999 Bifano et al.
 6,119,429 A 9/2000 Bifano et al.
 6,134,847 A 10/2000 Bifano et al.
 6,189,273 B1* 2/2001 Larson E04F 13/06
 52/255
 6,293,064 B1 9/2001 Larson
 6,298,609 B1 10/2001 Bifano et al.
 D456,528 S* 4/2002 Maylon D25/121
 D459,007 S* 6/2002 Campacci D25/119
 6,470,638 B1 10/2002 Larson
 D471,991 S* 3/2003 Maylon D25/119
 D477,420 S* 7/2003 Butcher D25/119
 6,609,341 B2* 8/2003 Maylon E04F 13/06
 52/364
 6,691,476 B1 2/2004 Kunz

FOREIGN PATENT DOCUMENTS

CA 19534 S 3/1954
 CA 22772 S 10/1959
 CA 22773 S 10/1959
 CA 2259875 A1 10/1999
 CA 2259877 A1 10/1999
 CA 93969 S 11/2001
 CA 107604 S 12/2005
 CA 107605 S 12/2005
 CA 107606 S 12/2005
 CA 107607 S 12/2005
 CA 127416 S 9/2009
 CA 2771711 A1 3/2011

(56)

References Cited

FOREIGN PATENT DOCUMENTS

CA	2816036	A	3/2011
CA	139128	S	1/2012
CA	146178	S	11/2013
CA	151311	S	8/2014
CA	158042	S	6/2015
DE	29615211	U1	10/1996
EP	0161532	A2	11/1985
EP	0324918	A1	7/1989
EP	0473393	A1	3/1992
GB	361490	A	11/1931
GB	2233381	A	1/1991
WO	WO 2007/012897	A1	2/2007
WO	WO 2014/023620	A1	2/2014

OTHER PUBLICATIONS

"#40 Zinc Two-Piece Expansion Joint," ClarkDietrich Building Systems, 2015, 1 pg., downloaded Dec. 6, 2016 from <http://www.clarkdietrich.com/products/zinc-expansion-control-joints/40-zinc-two-piece-expansion-joint>.

"F" Channel Reveal Intersections," Vinyl Corp., Stucco & Plaster Accessories Catalog, Sep. 2013, p. 1-26, downloaded Nov. 29, 2016 from http://www.vinylcorp.com/sites/default/files/imce/pdf/VinylCorp_Stucco%26Plaster-CatalogSection-2013.pdf.

"F" Channel Reveals (Perforated)," Vinyl Corp, 2015, 1 pg., downloaded Nov. 30, 2016 from <http://www.vinylcorp.com/products/drywall-veneer/channel-reveals/f-channel-reveals-perforated>.

"F" Channel Reveals (Surface Application)," Vinyl Corp, 2015, 1 pg., downloaded Nov. 30, 2016 from <http://www.vinylcorp.com/products/drywall-veneer/channel-reveals/f-channel-reveals-surface-application>.

"F" Channel Reveals (Unperforated)," Vinyl Corp, 2015, 1 pg., downloaded Nov. 30, 2016 from <http://www.vinylcorp.com/products/drywall-veneer/channel-reveals/f-channel-reveals-unperforated>.

"F" Channel Reveals," Vinyl Corp., 2015, 2 pgs., downloaded Nov. 29, 2016 from <http://www.vinylcorp.com/products/stucco-plaster/channel-reveals/f-channel-reveals>.

"F" Series Architectural Soffit Vent," Vinyl Corp., 2015, 1 pg., downloaded Nov. 29, 2016 from <http://www.vinylcorp.com/products/stucco-plaster/architectural-soffit-vents/f-series-architectural-soffit-vent>.

"1/4" Drip "V" Screeds," Vinyl Corp., 2015, 1 pg., downloaded Nov. 29, 2016 from <http://www.vinylcorp.com/products/stucco-plaster/drip-screed-reveals/14-drip-v-screeds>.

"ACJB—Ground Reveal," Vinyl Corp, 2015, 1 pg., downloaded Nov. 30, 2016 from <http://www.vinylcorp.com/products/acoustical-ceiling/reveals/acjb-ground-reveals>.

"ACOF—Ground Reveals," Vinyl Corp, 2015, 1 pg., downloaded Nov. 30, 2016 from <http://www.vinylcorp.com/products/acoustical-ceiling/reveals/acof-ground-reveals>.

"ACUDR—Reveal Board," Vinyl Corp, 2015, 1 pg., downloaded Nov. 30, 2016 from <http://www.vinylcorp.com/products/acoustical-ceiling/reveal-board/acudr-reveal-board>.

"ACUFR—Acoustical Reveals," Vinyl Corp, 2015, 1 pg., downloaded Nov. 30, 2016 from <http://www.vinylcorp.com/products/acoustical-ceiling/reveals/acufr-acoustical-reveals>.

"ACUT—Acoustical Reveals," Vinyl Corp, 2015, 1 pg., downloaded Nov. 30, 2016 from <http://www.vinylcorp.com/products/acoustical-ceiling/reveals/acut-acoustical-reveals>.

"ACUW—Reveal Board," Vinyl Corp, 2015, 1 pg., downloaded Nov. 30, 2016 from <http://www.vinylcorp.com/products/acoustical-ceiling/reveal-board/acuw-reveal-board>.

"ACUWR—Reveal Board," Vinyl Corp, 2015, 1 pg., downloaded Nov. 30, 2016 from <http://www.vinylcorp.com/products/acoustical-ceiling/reveal-board/acuwr-reveal-board>.

"Architectural Soffit Vent," Vinyl Corp., 2015, 1 pg., downloaded Nov. 29, 2016 from <http://www.vinylcorp.com/products/stucco-plaster/architectural-soffit-vents/architectural-soffit-vent>.

"Architectural Surface Mounted "F" Reveal," Vinyl Corp, 2015, 1 pg., downloaded Nov. 29, 2016 from <http://www.vinylcorp.com/products/eifs-defs/defs-reveals/architectural-surface-mounted-f-reveal>.

"Architectural Surface Mounted Reveal—ADVC Series," Vinyl Corp, 2015, 1 pg., downloaded Nov. 30, 2016 from <http://www.vinylcorp.com/products/drywall-veneer/architectural-reveals/architectural-surface-mounted-reveal-advc-series>.

"Architectural Surface Mounted Reveal—AFDCV Series," Vinyl Corp, 2015, 1 pg., downloaded Nov. 30, 2016 from <http://www.vinylcorp.com/products/drywall-veneer/architectural-reveals/architectural-surface-mounted-reveal-afdcv-series>.

"Architectural Surface Mounted Reveal," Vinyl Corp, 2015, 1 pg., downloaded Nov. 29, 2016 from <http://www.vinylcorp.com/products/eifs-defs/defs-reveals/architectural-surface-mounted>.

"Casing Beads with Reveal," Vinyl Corp., 2015, 1 pg., downloaded Nov. 29, 2016 from <http://www.vinylcorp.com/products/stucco-plaster/casing-beads/casing-beads-reveal>.

"Channel Reveal Intersections," Vinyl Corp., Drywall & Veneer Accessories Catalog, Sep. 2013, p. 3-14, downloaded Nov. 30, 2016 from http://www.vinylcorp.com/sites/default/files/imce/pdf/VinylCorp_Drywall%26Veneer-CatalogSection-2013.pdf.

"Channel Reveal Intersections," Vinyl Corp., Stucco & Plaster Accessories Catalog, Sep. 2013, p. 1-22, downloaded Nov. 29, 2016 from http://www.vinylcorp.com/sites/default/files/imce/pdf/VinylCorp_Stucco%26Plaster-CatalogSection-2013.pdf.

"Channel Reveals (Perforated Flanges)," Vinyl Corp., 2015, 1 pg., downloaded Nov. 30, 2016 from <http://www.vinylcorp.com/products/drywall-veneer/channel-reveals/channel-reveals-perforated-flanges>.

"Channel Reveals (Surface Application)," Vinyl Corp, 2015, 1 pg., downloaded Nov. 30, 2016 from <http://www.vinylcorp.com/products/drywall-veneer/channel-reveals/channel-reveals-surface-application>.

"Channel Reveals (Unperforated Flanges)," Vinyl Corp, 2015, 1 pg., downloaded Nov. 30, 2016 from <http://www.vinylcorp.com/products/drywall-veneer/channel-reveals/channel-reveals-unperforated-flanges>.

"Channel Reveals Bandmaker™ Series Intersections," Vinyl Corp., Stucco & Plaster Accessories Catalog, Sep. 2013, p. 1-24, downloaded Nov. 29, 2016 from http://www.vinylcorp.com/sites/default/files/imce/pdf/VinylCorp_Stucco%26Plaster-CatalogSection-2013.pdf.

"Channel Reveals Bandmaker™ Series," Vinyl Corp., 2015, 2 pgs., downloaded Nov. 29, 2016 from <http://www.vinylcorp.com/products/stucco-plaster/channel-reveals/channel-reveals-bandmaker%E2%84%A2-series>.

"Channel Reveals Inverse Intersections," Vinyl Corp., Drywall & Veneer Accessories Catalog, Sep. 2013, p. 3-16, downloaded Nov. 30, 2016 from http://www.vinylcorp.com/sites/default/files/imce/pdf/VinylCorp_Drywall%26Veneer-CatalogSection-2013.pdf.

"Channel Reveals," Vinyl Corp., 2015, 3 pgs., downloaded Nov. 29, 2016 from <http://www.vinylcorp.com/products/stucco-plaster/channel-reveals/channel-reveals>.

"Control Joints & Reveal Combinations," Vinyl Corp., 2015, 2 pgs., downloaded Nov. 29, 2016 from <http://www.vinylcorp.com/products/stucco-plaster/control-joints/control-joints-reveal-combinations>.

"Control Joints & Vent Reveal Combinations," Vinyl Corp., 2015, 1 pg., downloaded Nov. 29, 2016 from <http://www.vinylcorp.com/products/stucco-plaster/soffit-vents/control-joints-vent-reveal-combinations>.

"CSH Drum, Channel Special Creed Size," Vinyl Corp., 2015, 1 pg., downloaded Nov. 29, 2016 from <http://www.vinylcorp.com/products/stucco-plaster/channel-reveals/csh-drum-channel-special-creed-size>.

"CXJR Corner Reveals," Vinyl Corp., 2015, 1 pg., downloaded Nov. 29, 2016 from <http://www.vinylcorp.com/products/stucco-plaster/miscellaneous-accessories/cxjr-corner-reveals>.

"DCI—"V" Reveal," Vinyl Corp, 2015, 1 pg., downloaded Nov. 30, 2016 from <http://www.vinylcorp.com/products/drywall-veneer/miscellaneous-accessories/dci-v-reveal>.

"DCR-V Reverse Reveal," Vinyl Corp, 2015, 1 pg., downloaded Nov. 30, 2016 from <http://www.vinylcorp.com/products/drywall-veneer/miscellaneous-accessories/dcr-v-reverse-reveal>.

(56)

References Cited

OTHER PUBLICATIONS

- "Drip Screed Reveals," Vinyl Corp., 2015, 1 pg., downloaded Nov. 29, 2016 from <http://www.vinylcorp.com/products/stucco-plaster/drip-screed-reveals/drip-screed-reveals>
- "DX Expansion Joint," Vinyl Corp., 2015, 1 pg., downloaded Nov. 30, 2016 from <http://www.vinylcorp.com/products/drywall-veneer/miscellaneous-accessories/dx-expansion-joint>.
- "Expansion Joints (Slip Joint)," Vinyl Corp., 2015, 1 pg., downloaded Nov. 29, 2016 from <http://www.vinylcorp.com/products/stucco-plaster/expansions-joints/expansion-joints-slip-joint>.
- "F Series Control Joint & Vent," Vinyl Corp., 2015, 2 pgs., downloaded Nov. 29, 2016 from <http://www.vinylcorp.com/products/stucco-plaster/soffit-vents/f-series-control-joint-vent>.
- "FCS Soffit Vents," Vinyl Corp., 2015, 2 pgs., downloaded Nov. 29, 2016 from <http://www.vinylcorp.com/products/stucco-plaster/soffit-vents/fcs-soffit-vents>.
- "FDCV Vented Reveals (Surface Application)," Vinyl Corp., 2015, 1 pg., downloaded Nov. 30, 2016 from <http://www.vinylcorp.com/products/drywall-veneer/vented-reveals/fdcv-vented-reveals-surface-application>.
- "Miscellaneous Soffit Vents," Vinyl Corp, 2015, 2 pgs., downloaded Nov. 29, 2016 from <http://www.vinylcorp.com/products/eifs-defs/eifs-soffit-vents-drips/miscellaneous-soffit-vents>.
- "Miscellaneous Soffit Vents," Vinyl Corp., 2015, 2 pgs., downloaded Nov. 29, 2016 from <http://www.vinylcorp.com/products/eifs-defs/defs-soffit-vents-drips/miscellaneous-soffit-vents>.
- "Miscellaneous Soffit Vents," Vinyl Corp., 2015, 2 pgs., downloaded Nov. 29, 2016 from <http://www.vinylcorp.com/products/stucco-plaster/soffit-vents/miscellaneous-soffit-vents>.
- "Partition Endcaps (3-5/8" & 2-1/2")," Vinyl Corp., 2015, 2 pgs., downloaded Nov. 30, 2016 from <http://www.vinylcorp.com/products/drywall-veneer/channel-reveals/partition-endcaps-3-58-2-12>.
- "PB "F" Channel Reveals (Perforated Flanges—1/16" to 3/32" Systems)," Vinyl Corp, 2015, 1 pg., downloaded Nov. 29, 2016 from <http://www.vinylcorp.com/products/eifs-defs/defs-reveals/pb-f-channel-reveals-perforated-flanges>.
- "PB "F" Channel Reveals (Surface Mount—1/16" to 3/32" Systems)," Vinyl Corp, 2015, 1 pg., downloaded Nov. 29, 2016 from <http://www.vinylcorp.com/products/eifs-defs/defs-reveals/pb-f-channel-reveals>.
- "PB "F" Vented Reveals (Surface Mount—1/16" to 3/32" Systems)," Vinyl Corp, 2015, 1 pg., downloaded Nov. 29, 2016 from <http://www.vinylcorp.com/products/eifs-defs/defs-reveals/pd-f-vented-reveals>.
- "PB Channel Reveal Intersections," Vinyl Corp., EIFS & DEFS Accessories Catalog, Sep. 2013, p. 2-16, downloaded Nov. 29, 2016 from http://www.vinylcorp.com/sites/default/files/imce/pdf/VinylCorp_EIFS%26DEFS-CatalogSection-2013.pdf.
- "PB Channel Reveals (Perforated Flanges—1/16" to 3/32" Systems)," Vinyl Corp, 2015, 1 pg., downloaded Nov. 29, 2016 from <http://www.vinylcorp.com/products/eifs-defs/defs-reveals/pd-channel-reveals-perforated-flanges>.
- "PB Channel Reveals (Surface Mount—1/16" to 3/32" Systems)," Vinyl Corp, 2015, 1 pg., downloaded Nov. 29, 2016 from <http://www.vinylcorp.com/products/eifs-defs/defs-reveals/pd-channel-reveals>.
- "PB Soffit Drips," Vinyl Corp, 2015, 1 pg., downloaded Nov. 30, 2016 from <http://www.vinylcorp.com/products/eifs-defs/eifs-soffit-vents-drips/pb-soffit-drips>.
- "PB Soffit Vents," Vinyl Corp, 2015, 2 pgs., downloaded Nov. 29, 2016 from <http://www.vinylcorp.com/products/eifs-defs/eifs-soffit-vents-drips/pb-soffit-vents>.
- "PB Soffit Vents," Vinyl Corp, 2015, 2 pgs., downloaded Nov. 29, 2016 from <http://www.vinylcorp.com/products/eifs-defs/defs-soffit-vents-drips/pb-soffit-vents>.
- "PB Vented Reveals (Surface Mount—1/16" to 3/32" Systems)," Vinyl Corp, 2015, 1 pg., downloaded Nov. 29, 2016 from <http://www.vinylcorp.com/products/eifs-defs/defs-reveals/pb-vented-reveals>.
- "PB Vented Shadow Reveals (3" Vent Reveal Width)," Vinyl Corp, 2015, 1 pgs., downloaded Nov. 29, 2016 from <http://www.vinylcorp.com/products/eifs-defs/eifs-reveals/pb-vented-shadow-reveals-3-vent-reveal-width>.
- "PM Channel Reveals (Surface Application)," Vinyl Corp, 2015, 1 pg., downloaded Nov. 29, 2016 from <http://www.vinylcorp.com/products/eifs-defs/eifs-reveals/pm-channel-reveals>.
- "PM Channel Reveals," Vinyl Corp, 2015, 1 pg. downloaded Nov. 29, 2016 from <http://www.vinylcorp.com/products/eifs-defs/defs-reveals/pm-channel-reveals>.
- "PM Channel Shallow Reveals," Vinyl Corp, 2015, 1 pg., downloaded Nov. 29, 2016 from <http://www.vinylcorp.com/products/eifs-defs/eifs-reveals/pm-channel-shallow-reveals>.
- "PM Channel Shallow Reveals," Vinyl Corp, 2015, 1 pg., downloaded Nov. 29, 2016 from <http://www.vinylcorp.com/products/eifs-defs/defs-reveals/pm-channel-shallow-reveals>.
- "SDCS Self Drain Channel," Vinyl Corp., 2015, 3 pgs., downloaded Nov. 29, 2016 from <http://www.vinylcorp.com/products/stucco-plaster/channel-reveals/sdcs-self-drain-channel>.
- "Shadow Reveals (SA 5/8" Board)," Vinyl Corp, 2015, 1 pg., downloaded Nov. 30, 2016 from <http://www.vinylcorp.com/products/drywall-veneer/shadow-reveals/shadow-reveals-sa-58-board>.
- "Shadow Reveals (SA with 3/8" Removable Leg)," Vinyl Corp, 2015, 1 pg. downloaded Nov. 30, 2016 from <http://www.vinylcorp.com/products/drywall-veneer/shadow-reveals/shadow-reveals-sa-38-removable-leg>.
- "Shadow Reveals (Slip Joint)," Vinyl Corp., 2015, 2 pgs., downloaded Nov. 29, 2016 from <http://www.vinylcorp.com/products/stucco-plaster/soffit-vents/shadow-reveals-slip-joint>.
- "Soffit Vent (Two Piece Narrow Overhang)," Vinyl Corp., 2015, 2 pgs., downloaded Nov. 29, 2016 from <http://www.vinylcorp.com/products/stucco-plaster/soffit-vents/soffit-vents-two-piece-narrow-overhang>.
- "Soffit Vent Control Joint Combination," Vinyl Corp., 2015, 1 pg. downloaded Nov. 29, 2016 from <http://www.vinylcorp.com/products/stucco-plaster/soffit-vents/soffit-vent-control-joint-combination>.
- "Soffit Vents (One Piece with Edge Clips)" Vinyl Corp., 2015, 2 pgs. downloaded Nov. 29, 2016 from <http://www.vinylcorp.com/products/stucco-plaster/soffit-vents/soffit-vents-one-piece-edge-clips>.
- "Soffit Vents (One Piece)," Vinyl Corp., 2015, 2 pgs. downloaded Nov. 29, 2016 from <http://www.vinylcorp.com/products/stucco-plaster/soffit-vents/soffit-vents-one-piece>.
- "Soffit Vents (Three Piece with Edge Clip)," Vinyl Corp., 2015, 3 pgs., downloaded Nov. 29, 2016 from <http://www.vinylcorp.com/products/stucco-plaster/soffit-vents/soffit-vents-three-piece-edge-clip>.
- "Soffit Vents (Three Piece)," Vinyl Corp., 2015, 2 pgs., downloaded Nov. 29, 2016 from <http://www.vinylcorp.com/products/stucco-plaster/soffit-vents/soffit-vents-three-piece>.
- "Soffit Vents," Vinyl Corp, 2015, 2 pgs., downloaded Nov. 29, 2016 from <http://www.vinylcorp.com/products/eifs-defs/defs-soffit-vents-drips/soffit-vents>.
- "Soffit Vents," Vinyl Corp, 2015, 2 pgs., downloaded Nov. 30, 2016 from <http://www.vinylcorp.com/products/drywall-veneer/miscellaneous-accessories/soffit-vents>.
- "Surface Mount Vents," Vinyl Corp, 2015, 1 pg., downloaded Nov. 29, 2016 from <http://www.vinylcorp.com/products/eifs-defs/eifs-soffit-vents-drips/surface-mount-vents>.
- "Surface Mount Vents," Vinyl Corp, 2015, 1 pg., downloaded Nov. 29, 2016 from <http://www.vinylcorp.com/products/eifs-defs/defs-soffit-vents-drips/surface-mount-vents>.
- "Vented Drip Screeds," Vinyl Corp., 2015, 2 pgs., downloaded Nov. 29, 2016 from <http://www.vinylcorp.com/products/stucco-plaster/drip-screed-reveals/vented-drip-screeds>.
- "Vented Reveals (Surface Application)," Vinyl Corp, 2015, 1 pg., downloaded Nov. 30, 2016 from <http://www.vinylcorp.com/products/drywall-veneer/vented-reveals/vented-reveals-surface-application>.
- "Vented Shadow Reveals (Surface Mount)," Vinyl Corp, 2015, 1 pg., downloaded Nov. 30, 2016 from <http://www.vinylcorp.com/products/drywall-veneer/shadow-reveals/vented-shadow-reveals-surface-mount>.

(56)

References Cited

OTHER PUBLICATIONS

“Vented Shadow Reveals,” Vinyl Corp., 2015, 2 pgs. downloaded Nov. 29, 2016 from <http://www.vinylcorp.com/products/stucco-plaster/soffit-vents/vented-shadow-reveals>.

“Wide Expansion Joints (Slip Joint),” Vinyl Corp., 2015, 1 pg., downloaded Nov. 29, 2016 from <http://www.vinylcorp.com/products/stucco-plaster/expansion-joints/wide-expansion-joints-slip-joint>.

U.S. Office Action, Non-Final, dated Feb. 8, 2017 for U.S. Appl. No. 29/553,901, 11 pgs.

U.S. Office Action, Non-Final, dated Feb. 8, 2017 for U.S. Appl. No. 29/553,903, 9 pgs.

U.S. Office Action, Non-Final, dated Feb. 8, 2017 for U.S. Appl. No. 29/553,907, 8 pgs.

U.S. Office Action, Non-Final, dated May 18, 2017 for U.S. Appl. No. 29/553,909, 8 pgs.

Design U.S. Appl. No. 29/590,207, filed Jan. 9, 2017.

Design U.S. Appl. NO. 29/590,209, filed Jan. 9, 2017.

Design U.S. Appl. No. 29/590,216, filed Jan. 9, 2017.

* cited by examiner

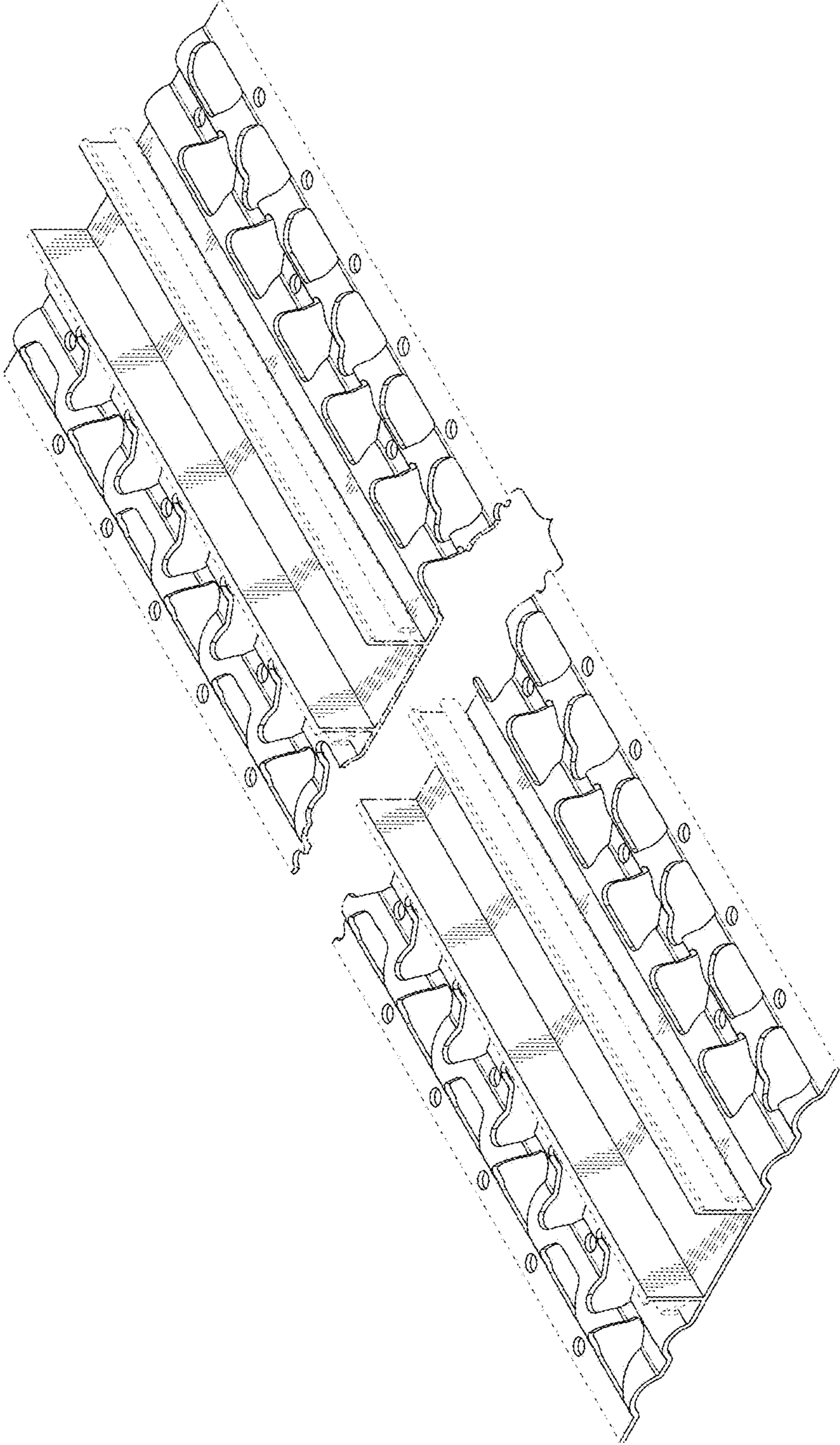


FIG. 1

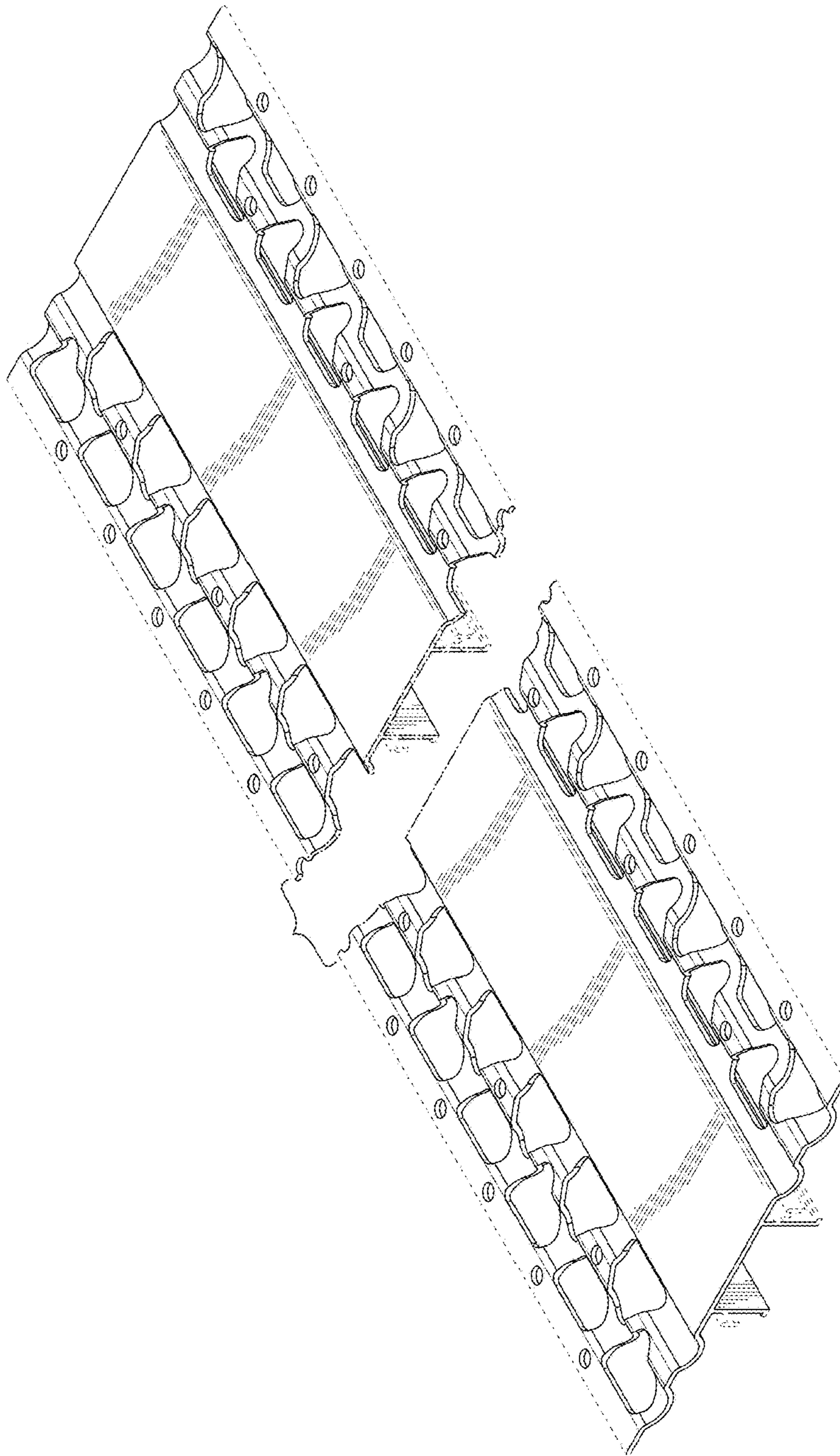


FIG. 2

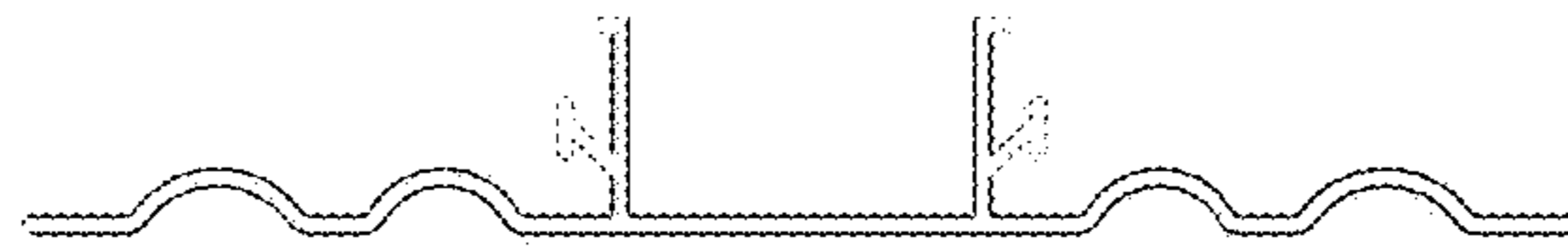


FIG. 3



FIG. 4

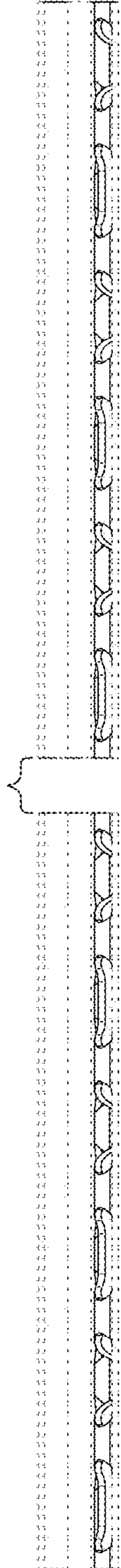


FIG. 5

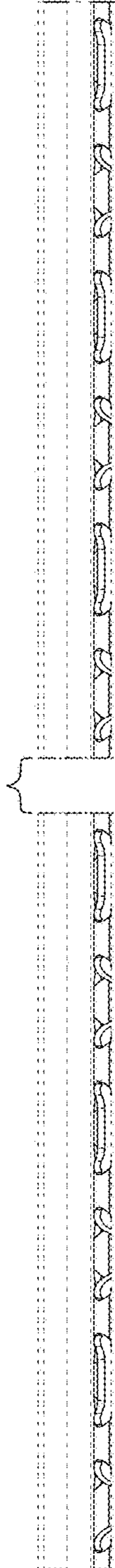


FIG. 6

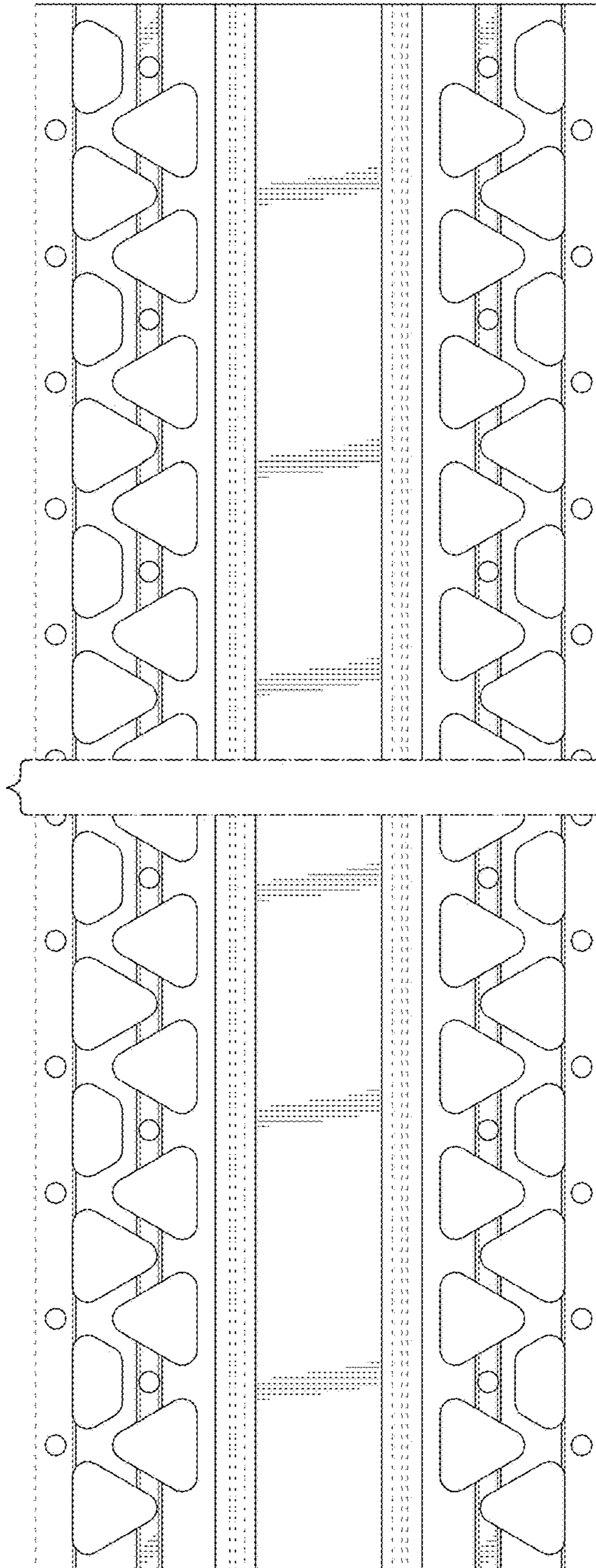


FIG. 7

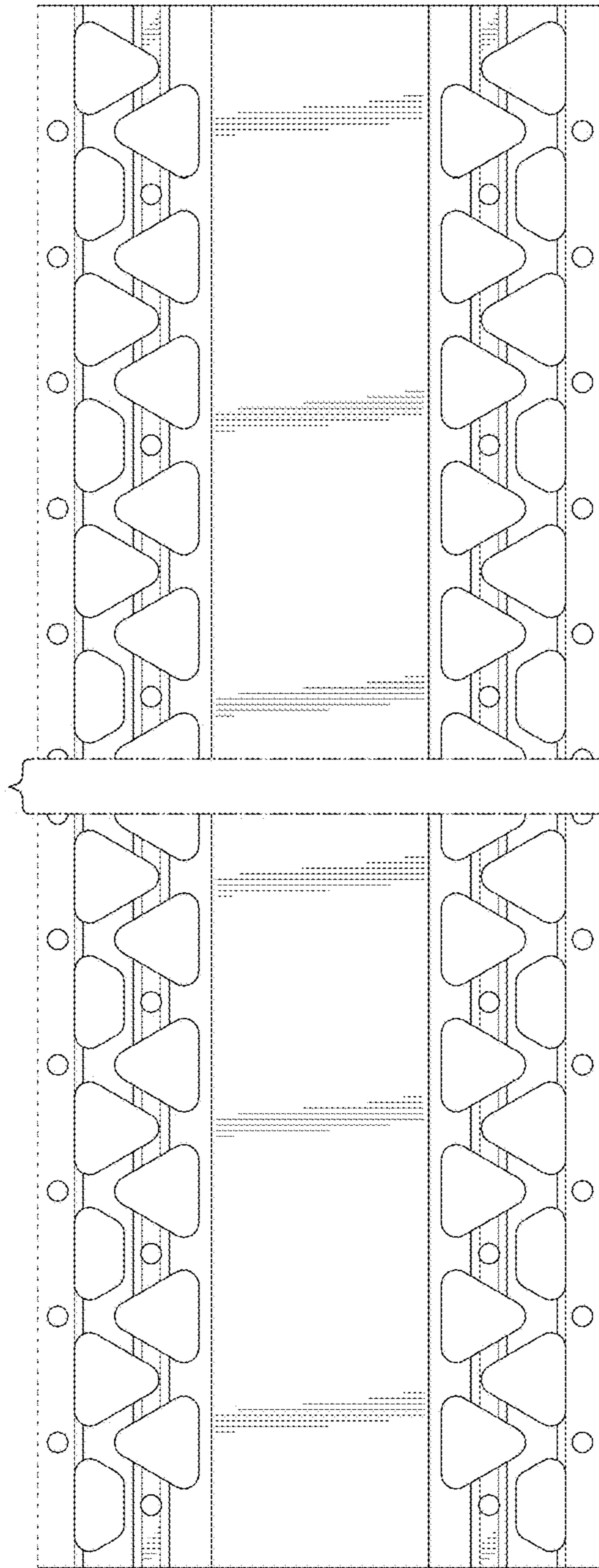


FIG. 8