



US00D841831S

(12) **United States Design Patent**  
**Shimobayashi et al.**

(10) **Patent No.:** **US D841,831 S**  
(45) **Date of Patent:** **\*\* Feb. 26, 2019**

(54) **MEDICAL CLEANING AND DISINFECTION APPARATUS**

D717,965 S \* 11/2014 Sanga ..... D24/217  
D735,883 S \* 8/2015 Bauer ..... D24/231  
D776,293 S \* 1/2017 Cerasi ..... D24/217  
D794,211 S \* 8/2017 Ang ..... D24/232

(71) Applicant: **OLYMPUS CORPORATION**, Tokyo (JP)

(Continued)

(72) Inventors: **Koji Shimobayashi**, Tokyo (JP);  
**Chikayoshi Meguro**, Tokyo (JP);  
**Hiromasa Akahori**, Tokyo (JP)

**OTHER PUBLICATIONS**

Olympus Endoscope Reprocessing With OER-Pro, posted at youtube.com, posted on Feb. 12, 2016, [online], [site visited Nov. 15, 2017]. Available from Internet: URL:https://www.youtube.com/watch?v=WZqzlnekS2M.\*

(73) Assignee: **OLYMPUS CORPORATION**, Tokyo (JP)

(Continued)

(\*\*) Term: **15 Years**

*Primary Examiner* — Anhdao Doan

(21) Appl. No.: **29/579,011**

*Assistant Examiner* — Mary Shannon Malley

(22) Filed: **Sep. 27, 2016**

(74) *Attorney, Agent, or Firm* — Scully, Scott, Murphy & Presser, P.C.

(30) **Foreign Application Priority Data**

(57) **CLAIM**

Mar. 28, 2016 (JP) ..... 2016-006698

The ornamental design for a medical cleaning and disinfection apparatus, as shown and described.

(51) **LOC (11) Cl.** ..... **24-01**

(52) **U.S. Cl.**  
USPC ..... **D24/217**

**DESCRIPTION**

(58) **Field of Classification Search**  
USPC ..... D24/216–218, 227–232; D32/1, 25;  
D14/341, 347, 126, 133  
CPC ..... A61L 2/26; A61L 2/24; A61L 2/17; A61L 2/18; A61L 2/025; A61L 2202/122; A61L 2202/10; A61L 2202/11; A61L 2202/14; A61L 2202/23; A61L 2202/24; A61L 2202/182; A61B 1/123; A61B 2090/701  
See application file for complete search history.

FIG. 1 is a perspective view of a medical cleaning and disinfection apparatus, showing our new design;  
FIG. 2 is a front view thereof;  
FIG. 3 is a rear view thereof;  
FIG. 4 is a top view thereof in which a lid is shown in a closed configuration;  
FIG. 5 is a bottom view thereof;  
FIG. 6 is a left side view thereof;  
FIG. 7 is a right side view thereof; and,  
FIG. 8 is an enlarged sectional view, taken along line 8-8 in FIG. 2 of the portion thereof indicated by lines a-a and b-b in FIG. 7.

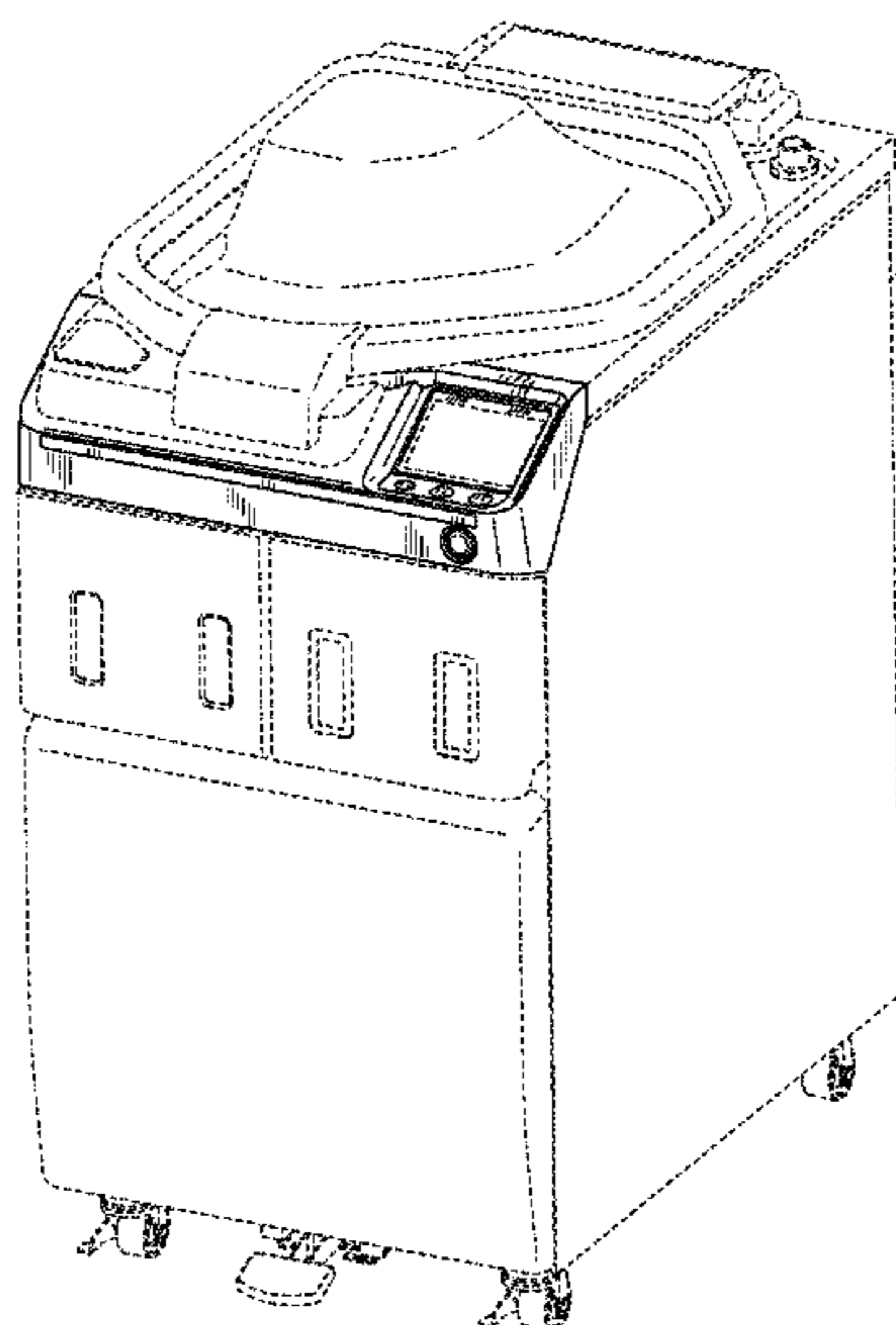
(56) **References Cited**

**U.S. PATENT DOCUMENTS**

D313,679 S \* 1/1991 Sakamoto ..... D32/6  
D433,147 S \* 10/2000 Florkey ..... D24/217  
D693,018 S \* 11/2013 Zdinak ..... D10/81  
D702,353 S \* 4/2014 Fujimoto ..... D24/164

The broken lines show portions of the medical cleaning and disinfection apparatus that form no part of the claimed design.

**1 Claim, 7 Drawing Sheets**



(56)

**References Cited**

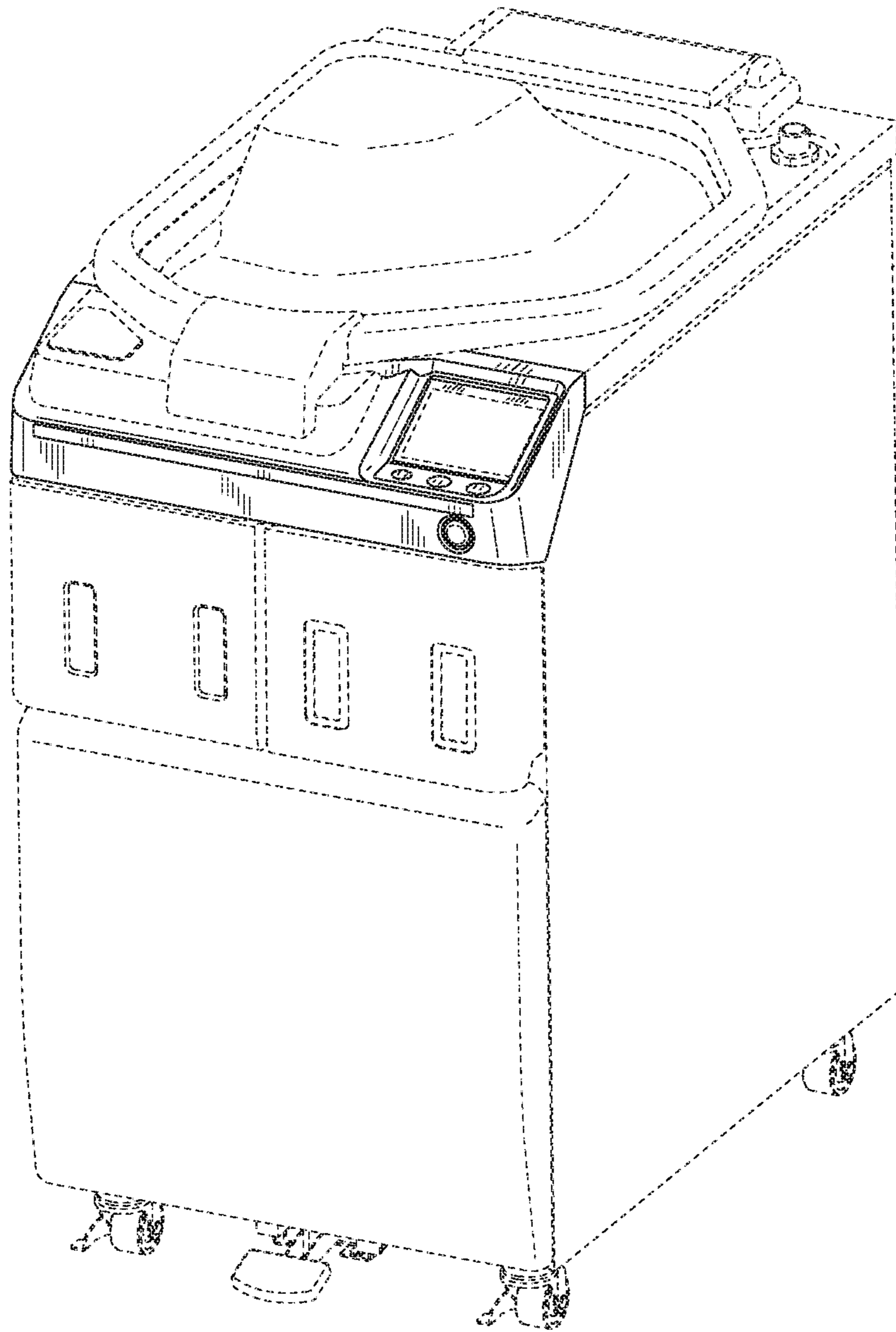
U.S. PATENT DOCUMENTS

2015/0320303 A1\* 11/2015 Kawase ..... A61B 1/00057  
600/117

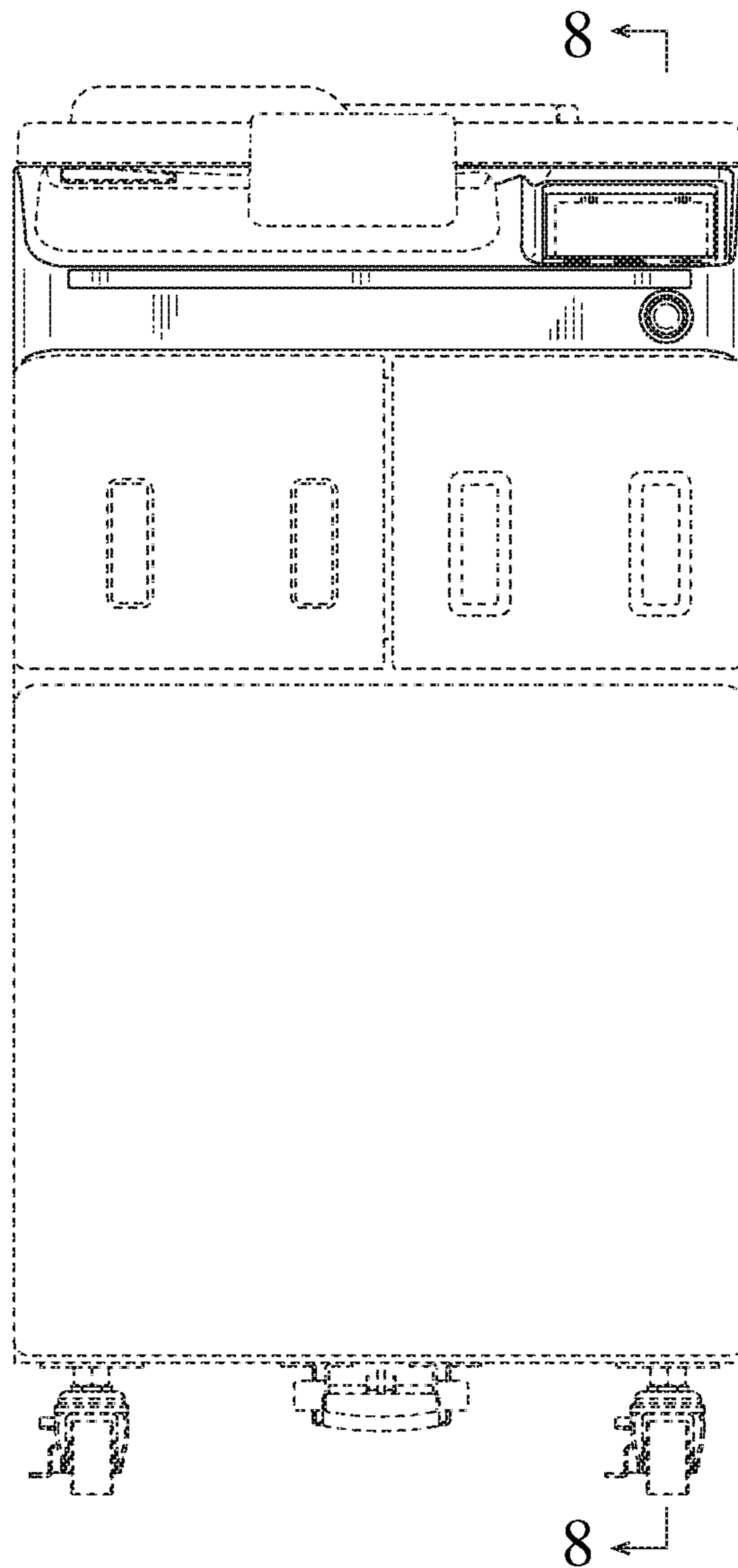
OTHER PUBLICATIONS

2014 Endoscope Product Spotlights, posted at hponline.com, Nov. 2014 issue, [online], [site visited Nov. 14, 2017]. Available from Internet: URL:<https://www.hponline.com/inside/2014-11/1411-EndoSpots.html>.\*

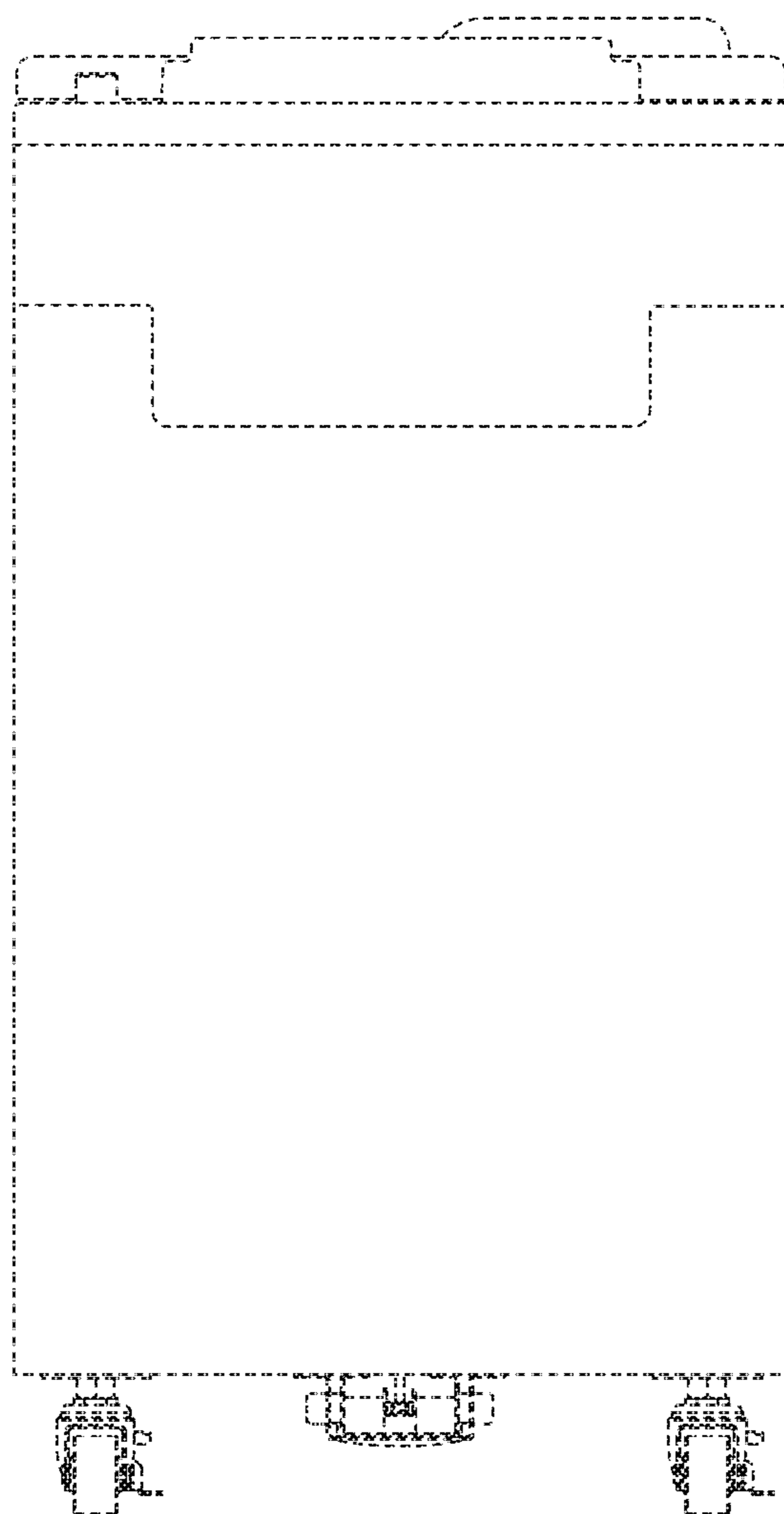
\* cited by examiner



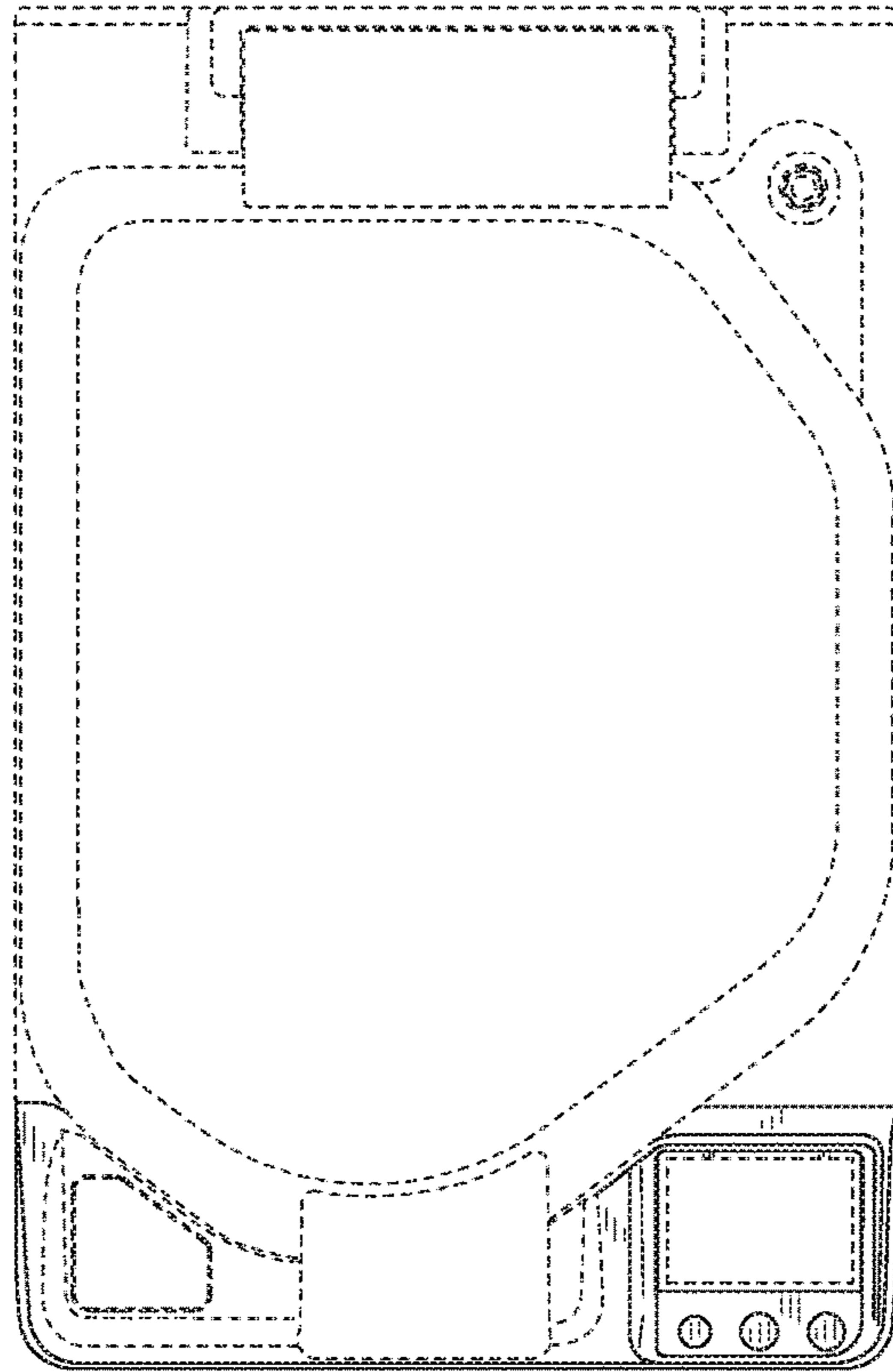
*Fig. 1*



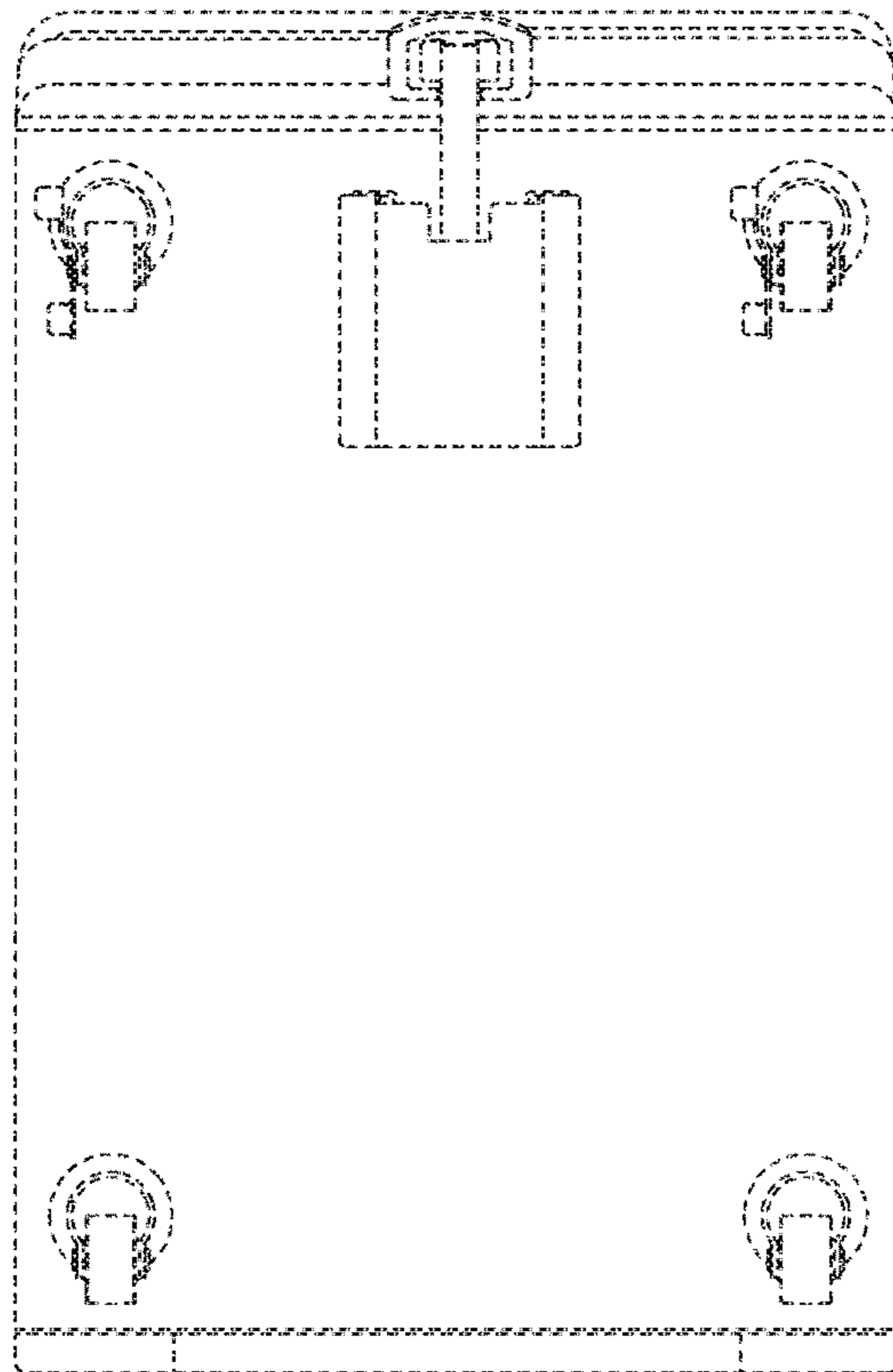
*Fig. 2*



*Fig. 3*

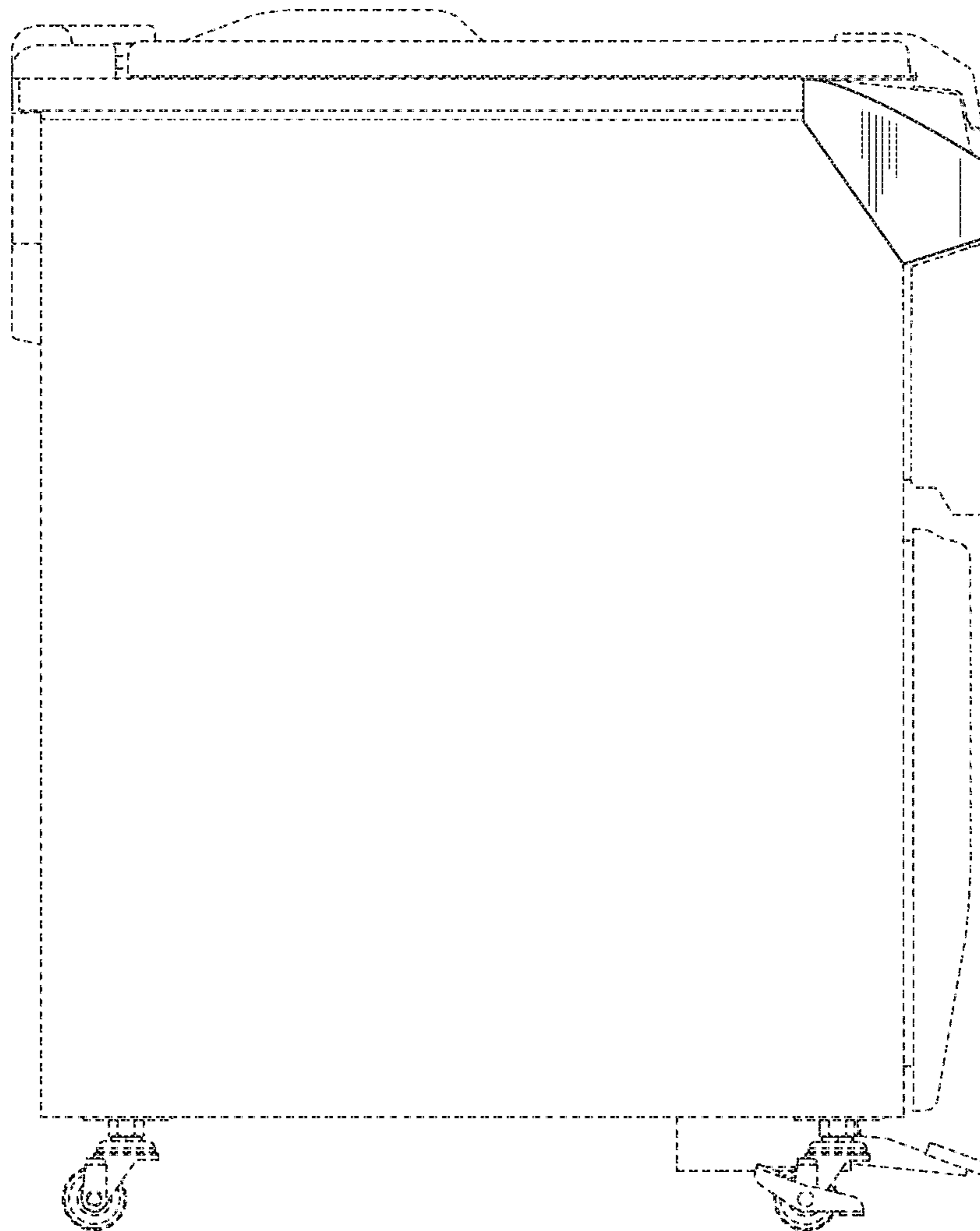


*Fig. 4*

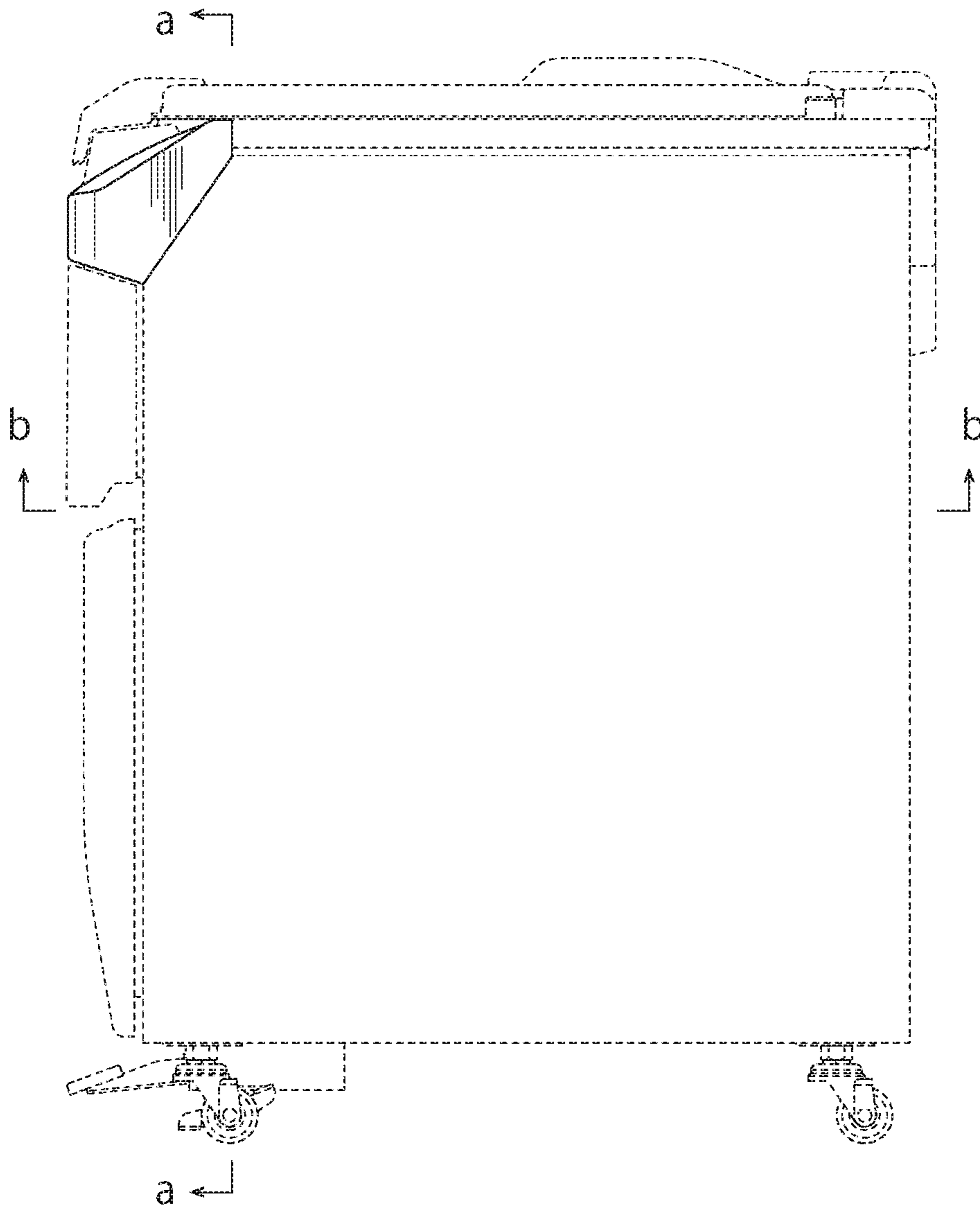


*Fig. 5*



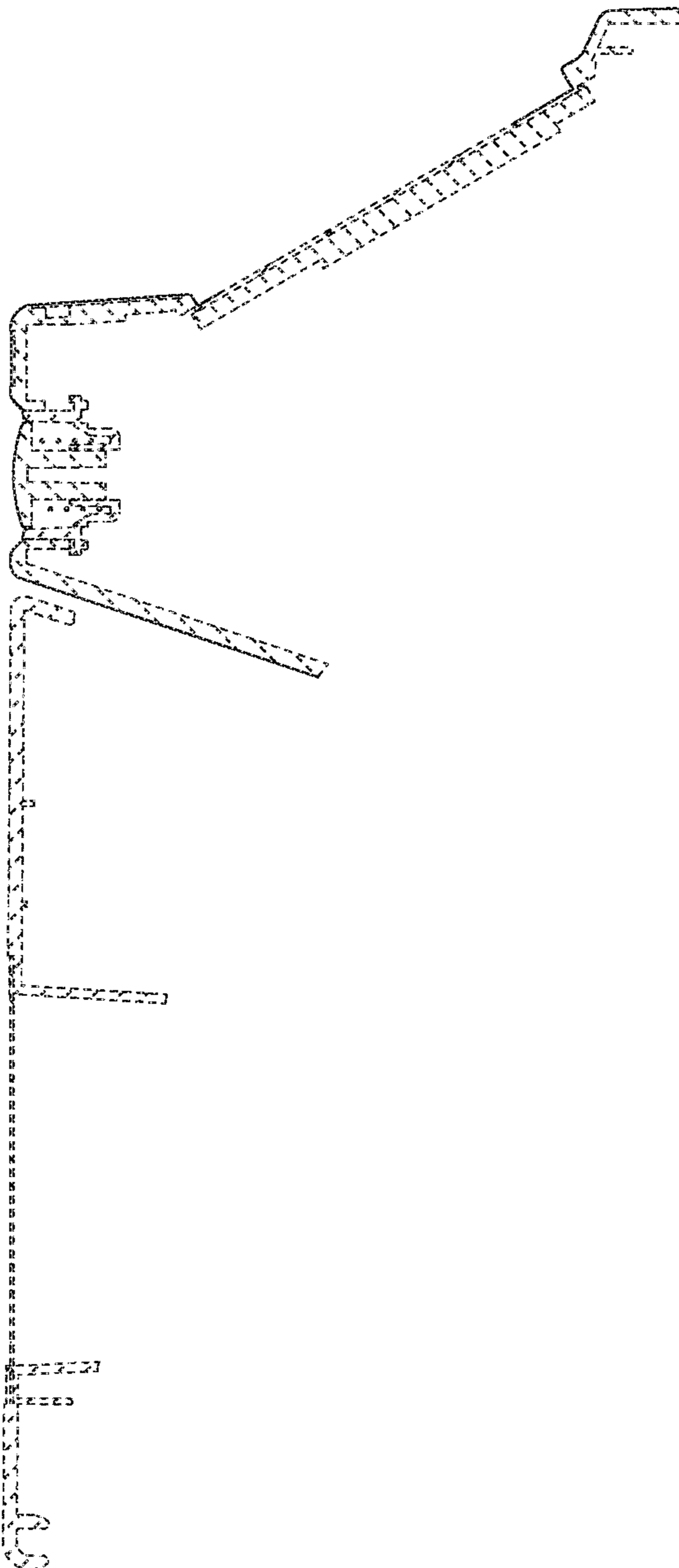


*Fig. 6*



*Fig. 7*





*Fig. 8*