



US00D841830S

(12) **United States Design Patent** (10) **Patent No.:** **US D841,830 S**  
**Hu** (45) **Date of Patent:** **\*\* Feb. 26, 2019**

(54) **MASSAGER**  
(71) Applicant: **Jun Hao Hu**, Guangdong (CN)  
(72) Inventor: **Jun Hao Hu**, Guangdong (CN)  
(\*\*) Term: **15 Years**  
(21) Appl. No.: **29/619,424**  
(22) Filed: **Sep. 29, 2017**  
(51) **LOC (11) Cl.** ..... **28-03**  
(52) **U.S. Cl.**  
USPC ..... **D24/215**  
(58) **Field of Classification Search**  
USPC .... 601/2, 15, 19, 27-32, 46, 48, 52, 78, 79,  
601/84-85, 93-94, 99, 112, 113, 114,  
601/120, 121, 125, 129, 131, 134, 135,  
601/DIG. 12, DIG. 14, DIG. 15, DIG. 16,  
601/DIG. 17; D24/133, 188, 200, 211,  
D24/212, 213, 214, 215; D28/91.1;  
D9/723, 726, 727; D4/100, 102  
CPC ..... A61H 2201/0153; A61H 7/007; A61H  
15/0085; A61H 2015/0014; A61H 7/005;  
A61B 17/1325; A61F 7/00  
See application file for complete search history.

D623,295 S \* 9/2010 Rhoades ..... D24/133  
D645,565 S \* 9/2011 Smith ..... D24/200  
D652,919 S \* 1/2012 Sherwood ..... D24/133  
8,523,791 B2 \* 9/2013 Castel ..... A61F 7/00  
601/15  
D693,932 S \* 11/2013 Nichols ..... D24/214  
D736,399 S \* 8/2015 Nichols ..... D24/214  
D738,516 S \* 9/2015 Karim ..... D24/200  
D757,953 S \* 5/2016 Philips ..... D24/200  
D759,256 S \* 6/2016 Chen ..... D24/200  
D759,831 S \* 6/2016 Levi ..... D24/200  
D771,389 S \* 11/2016 Since ..... D24/200  
D780,933 S \* 3/2017 Uchida ..... D24/200  
D794,854 S \* 8/2017 Zepter ..... D24/200  
D819,221 S \* 5/2018 Lei ..... D24/200  
2004/0236254 A1 \* 11/2004 Nichols ..... A61H 7/005  
601/6

\* cited by examiner

*Primary Examiner* — Cynthia Ramirez  
*Assistant Examiner* — Michael A Maharajh

(57) **CLAIM**

The ornamental design for a massager, as shown and described.

**DESCRIPTION**

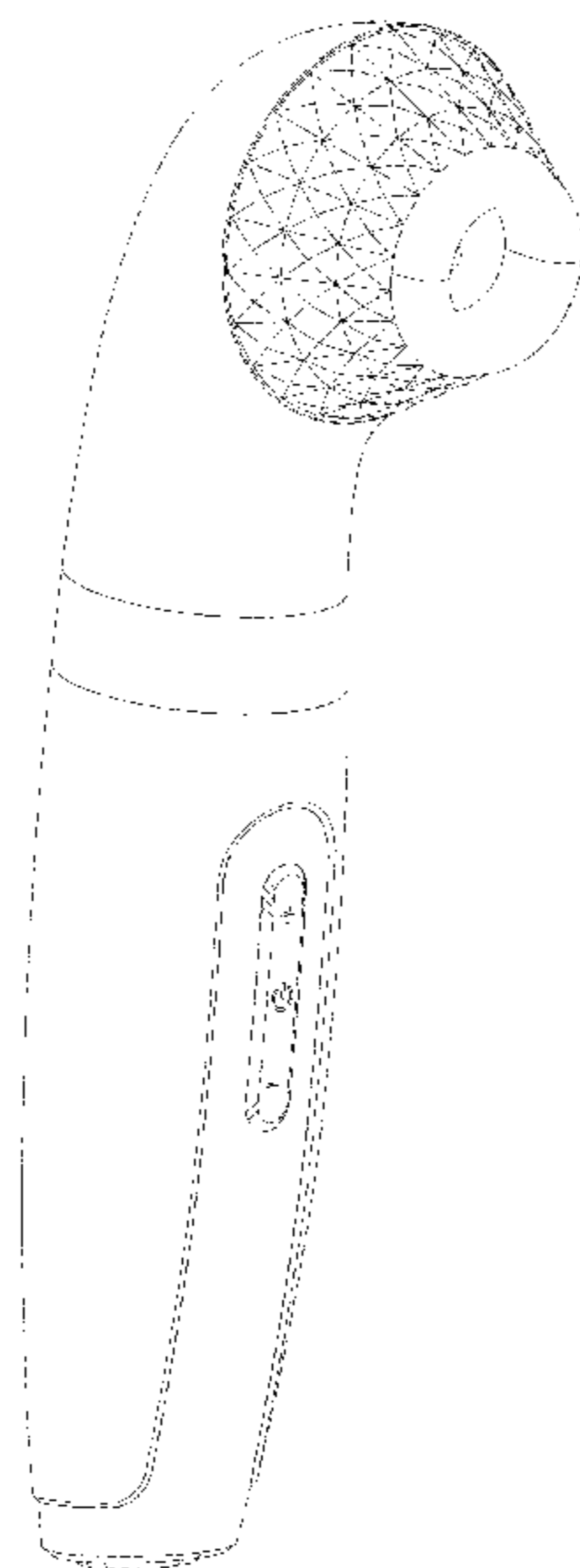
FIG. 1 is a perspective view of a massager showing my new design;  
FIG. 2 is a front elevation view thereof;  
FIG. 3 is a rear elevation view thereof;  
FIG. 4 is an enlarged top plan view thereof;  
FIG. 5 is an enlarged bottom plan view thereof;  
FIG. 6 is a left side elevation view thereof; and,  
FIG. 7 is a right side elevation view thereof.  
The broken lines shown in the figures are for the purpose of illustrating portions of the massager, which form no part of the claimed design.

**1 Claim, 7 Drawing Sheets**

(56) **References Cited**

**U.S. PATENT DOCUMENTS**

D226,583 S \* 3/1973 Welch ..... D24/214  
D323,034 S \* 1/1992 Reinstein ..... D24/200  
D331,467 S \* 12/1992 Wollman ..... D24/200  
D374,934 S \* 10/1996 Lie ..... D24/215  
D430,938 S \* 9/2000 Lee ..... D24/214  
D448,852 S \* 10/2001 Engelen ..... D24/215  
D484,606 S \* 12/2003 Ahn ..... D24/200  
D548,843 S \* 8/2007 Kertz ..... D24/188  
D609,817 S \* 2/2010 Piller ..... D24/215



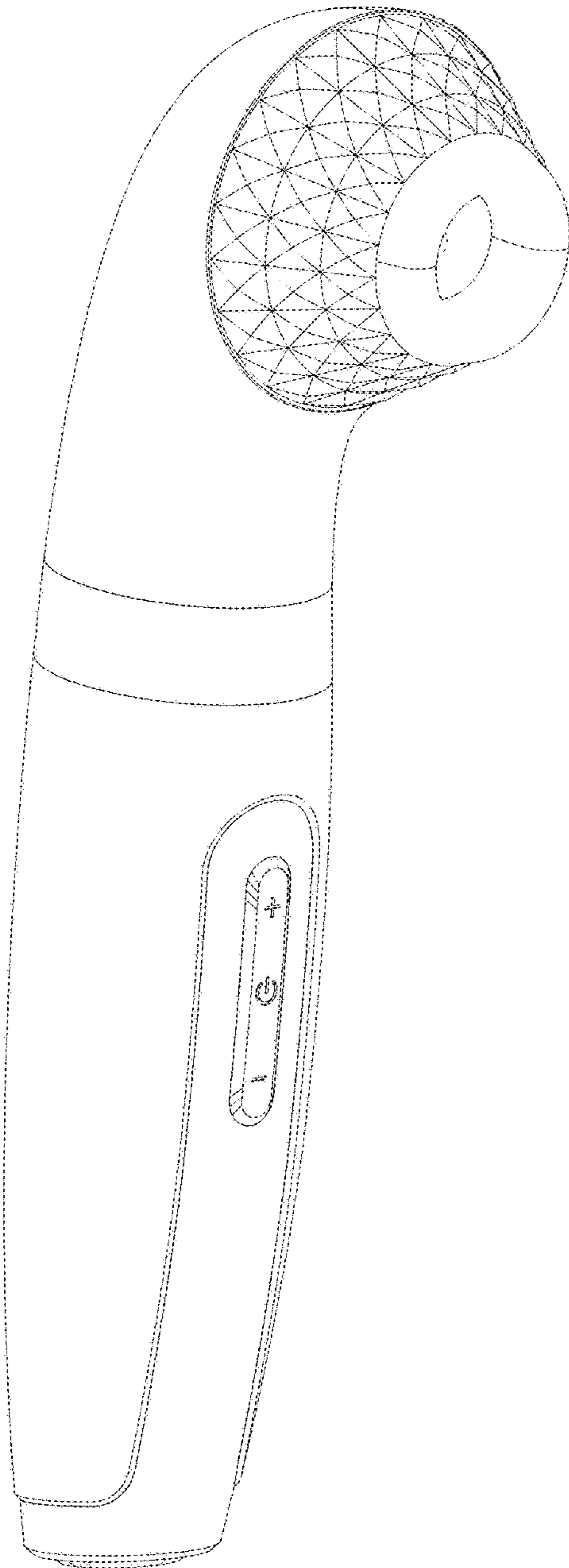


FIG.1

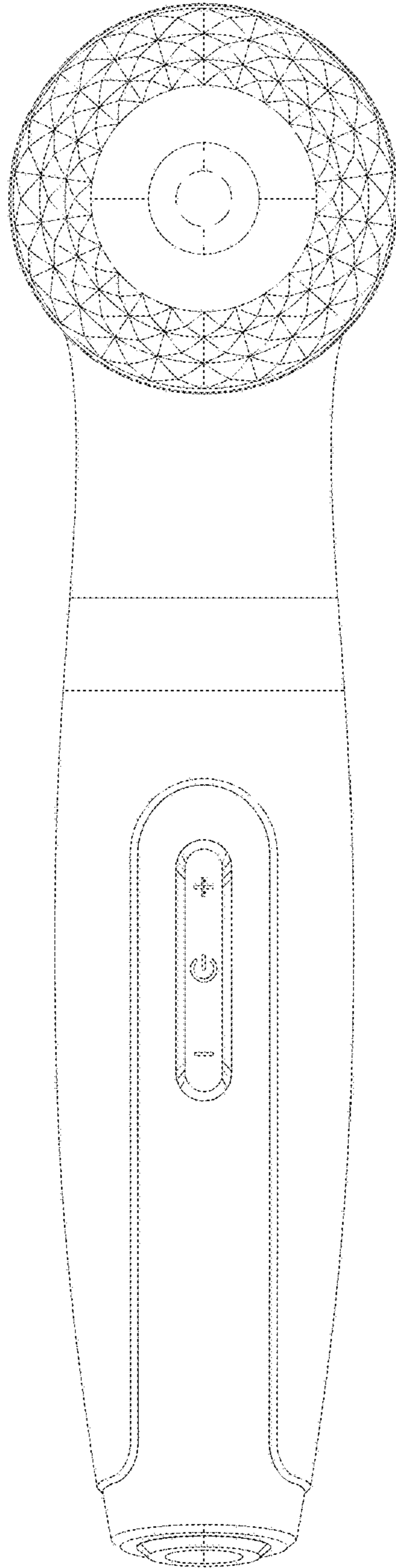


FIG.2

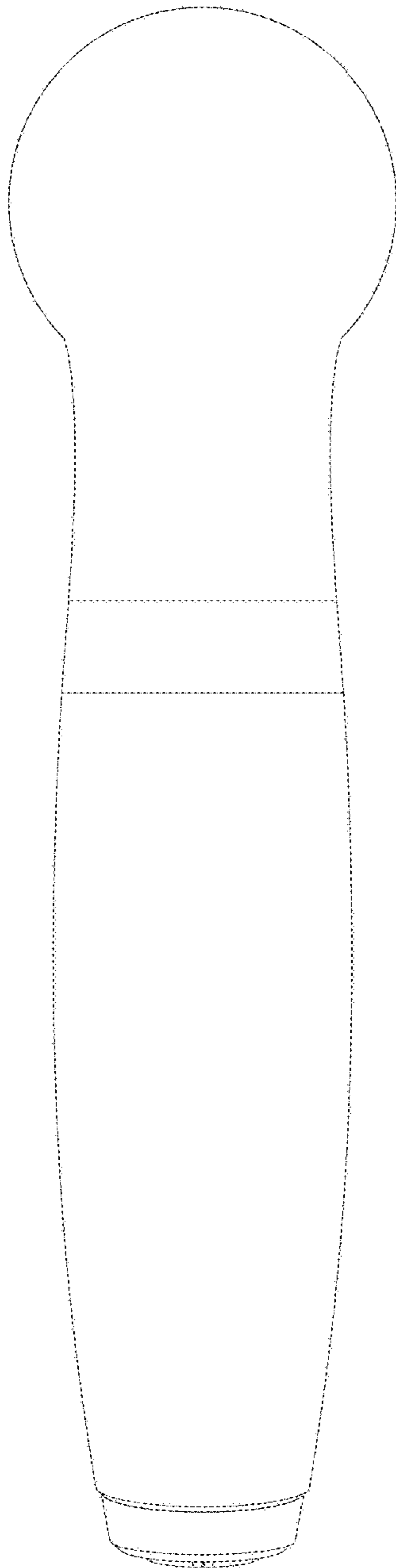


FIG.3

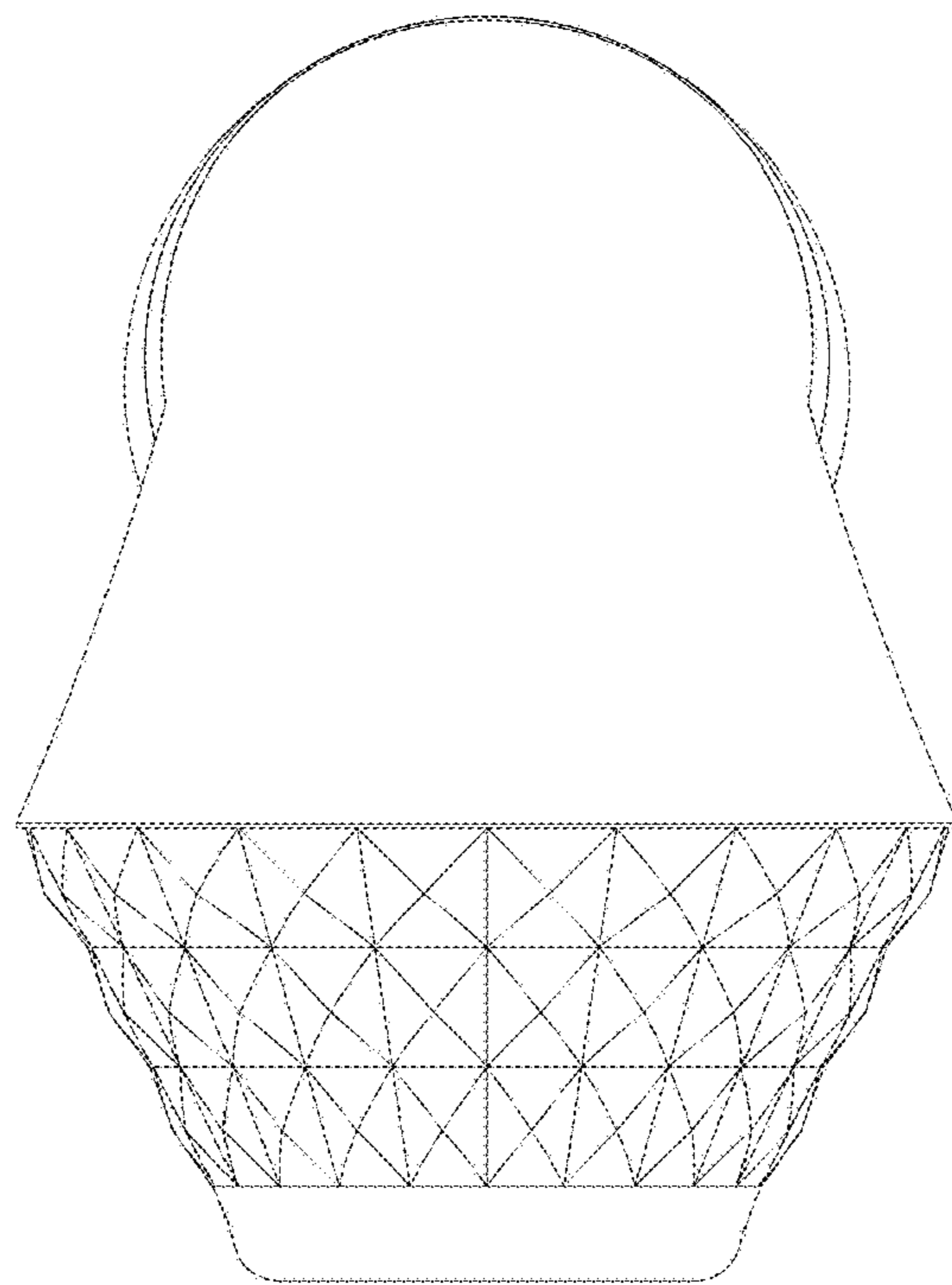


FIG. 4

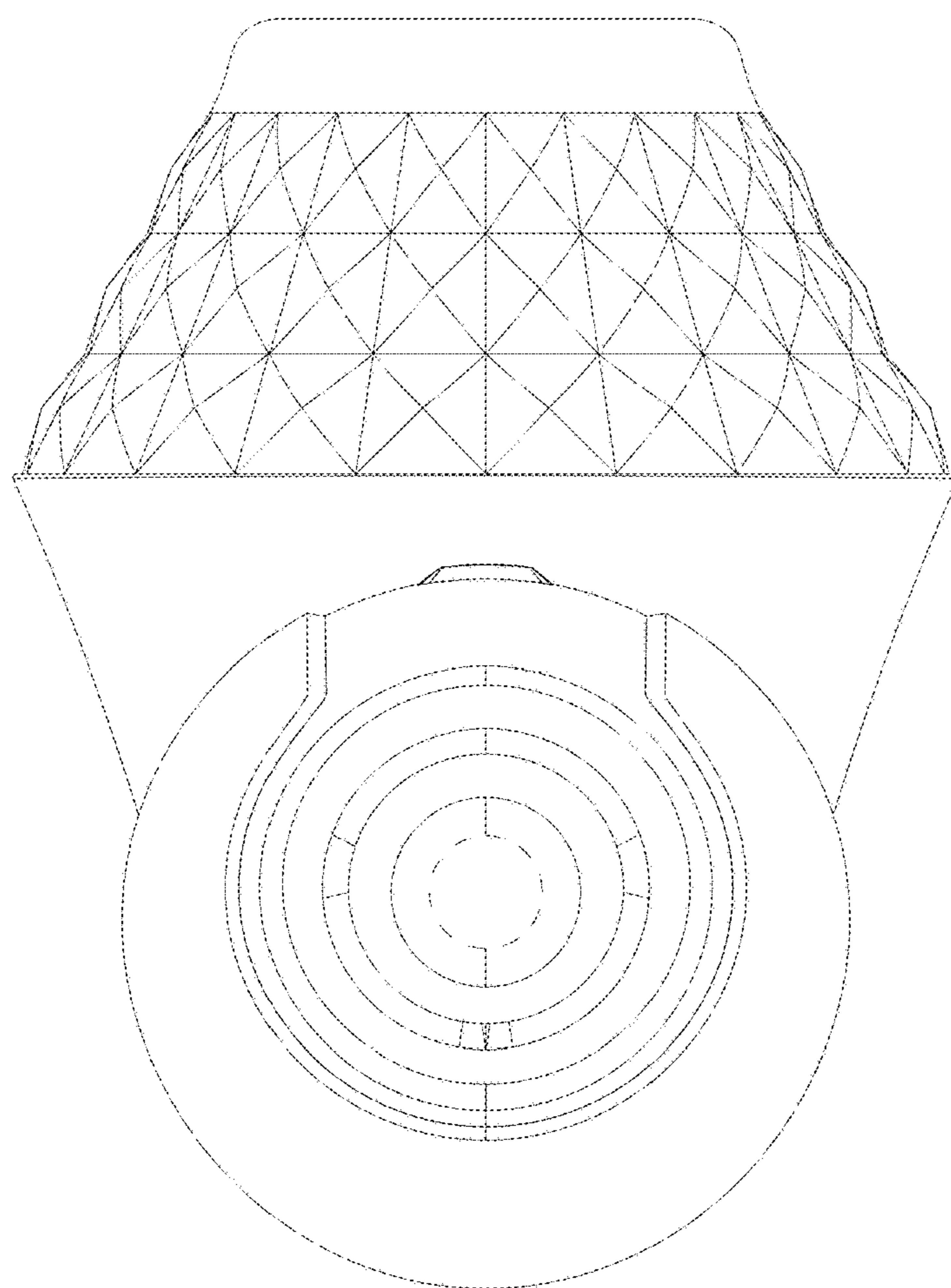


FIG.5

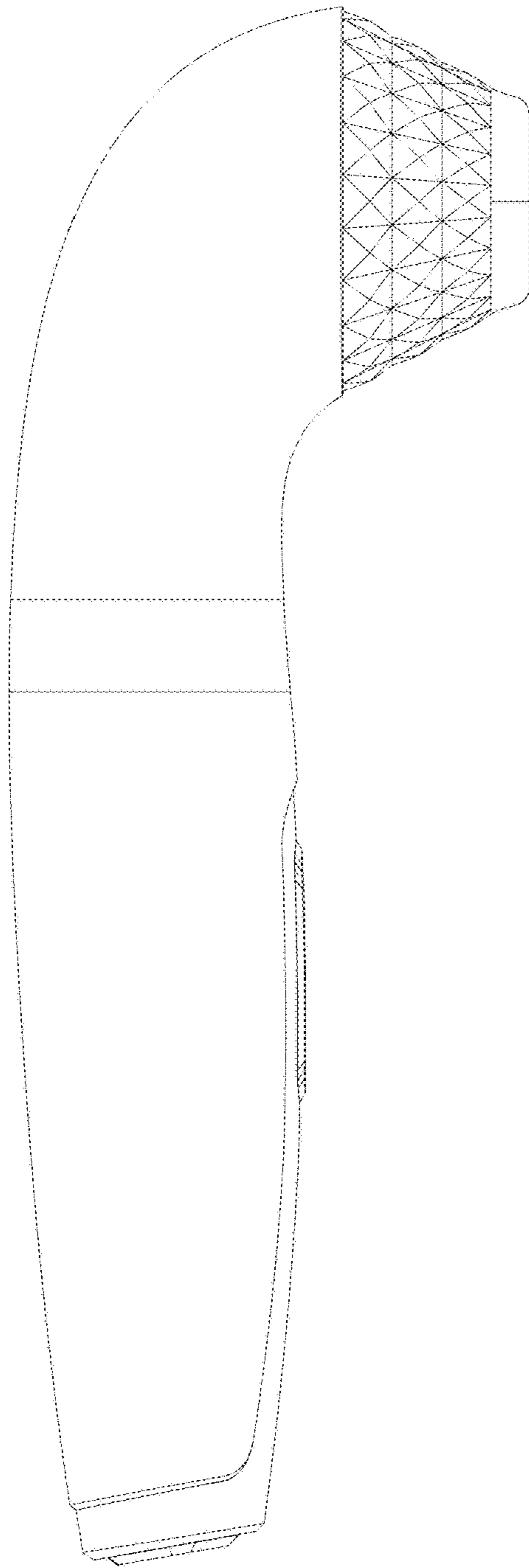


FIG.6

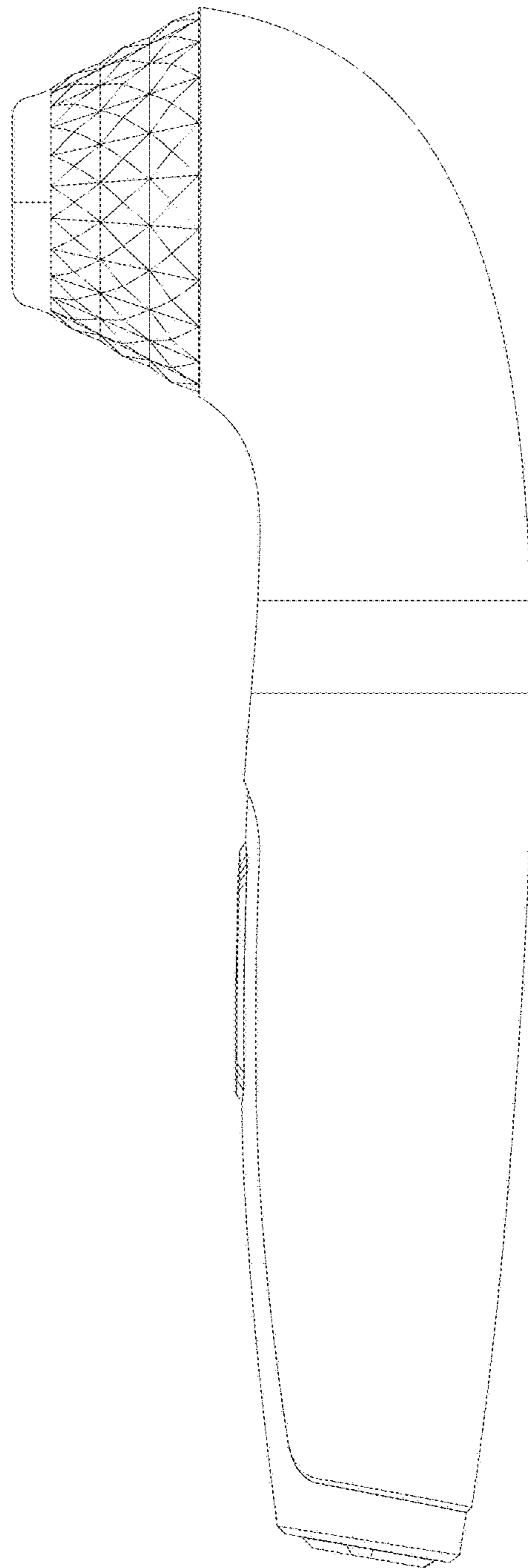


FIG.7