



US00D841827S

(12) **United States Design Patent**  
**Zedaker**

(10) **Patent No.:** **US D841,827 S**

(45) **Date of Patent:** **\*\* Feb. 26, 2019**

(54) **HAND-HELD ROLLER MASSAGE TOOL**

(71) Applicant: **James E. Zedaker**, Phoenix, AZ (US)

(72) Inventor: **James E. Zedaker**, Phoenix, AZ (US)

(\*\*) Term: **15 Years**

(21) Appl. No.: **29/590,689**

(22) Filed: **Jan. 12, 2017**

(51) **LOC (11) Cl.** ..... **28-03**

(52) **U.S. Cl.**  
USPC ..... **D24/215**

(58) **Field of Classification Search**  
USPC ..... 601/15, 18, 19, 27, 28, 29, 30, 31, 32,  
601/46, 47, 48, 52, 72, 99, 112, 113, 118,  
601/135, 137, DIG. 12, DIG. 14, DIG. 15,  
601/DIG. 16, DIG. 17; D24/200, 211,  
D24/212, 213, 214, 215; D30/160;  
600/38

CPC ..... A61H 15/0085; A61H 19/44; A61H  
2007/009; A61H 2201/0134; A61H 7/007

See application file for complete search history.

D762,309 S *	7/2016	Cohen	.....	D24/211
D765,871 S *	9/2016	Downare	.....	D24/211
D777,340 S *	1/2017	Nelson	.....	D24/211
D791,958 S *	7/2017	Ho	.....	D24/200
D800,330 S *	10/2017	Loos	.....	D24/211
D806,889 S *	1/2018	Holland	.....	D24/211
2006/0161080 A1 *	7/2006	Chen	.....	A61H 7/003 601/131
2015/0223970 A1 *	8/2015	Holland	.....	A61F 7/10 601/19
2017/0231851 A1 *	8/2017	Faussett	.....	A61H 1/008 601/135

\* cited by examiner

*Primary Examiner* — Cynthia Ramirez

*Assistant Examiner* — Michael A Maharajh

(74) *Attorney, Agent, or Firm* — Venjuris, P.C.

(57) **CLAIM**

The ornamental design for a hand-held roller massage tool, as shown and described.

**DESCRIPTION**

FIG. 1 is a top front perspective view of a hand-held roller massage tool embodying the new design;

FIG. 2 is a side view of the hand-held roller massage tool of FIG. 1;

FIG. 3 is a top view of the hand-held roller massage tool of FIG. 1; and,

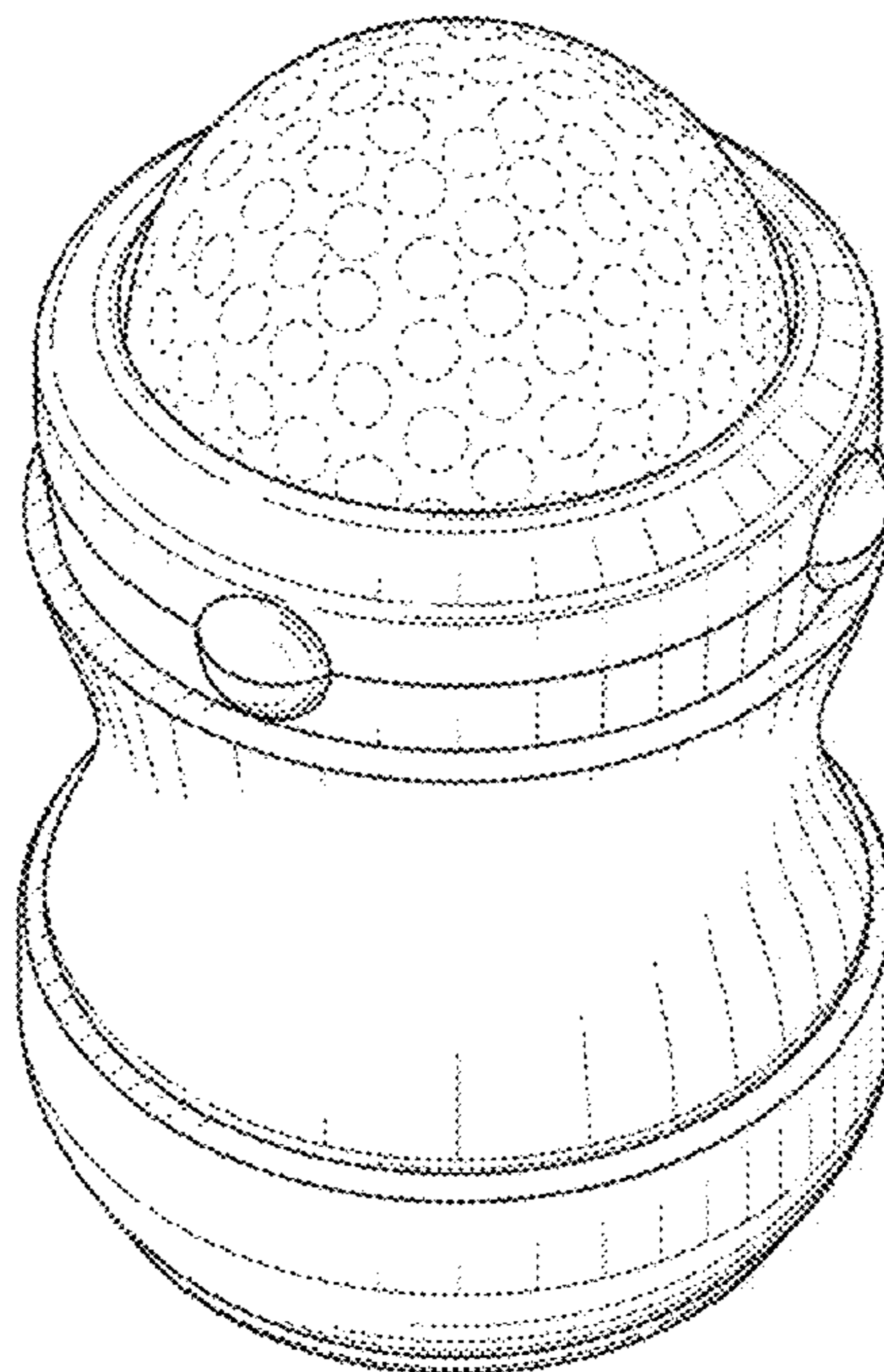
FIG. 4 is a bottom view of the hand-held roller massage tool of FIG. 1.

**1 Claim, 2 Drawing Sheets**

(56) **References Cited**

U.S. PATENT DOCUMENTS

D378,539 S *	3/1997	Scott	.....	D24/211
D403,076 S *	12/1998	York	.....	D24/214
D454,644 S *	3/2002	York	.....	D24/214
D469,880 S *	2/2003	York	.....	D24/214
D502,264 S *	2/2005	Timmer	.....	D24/211
D649,654 S *	11/2011	Levine	.....	D24/215
D667,131 S *	9/2012	Faussett	.....	D24/215
D687,159 S *	7/2013	Cho	.....	D24/215
D694,421 S *	11/2013	Anderson	.....	D24/215



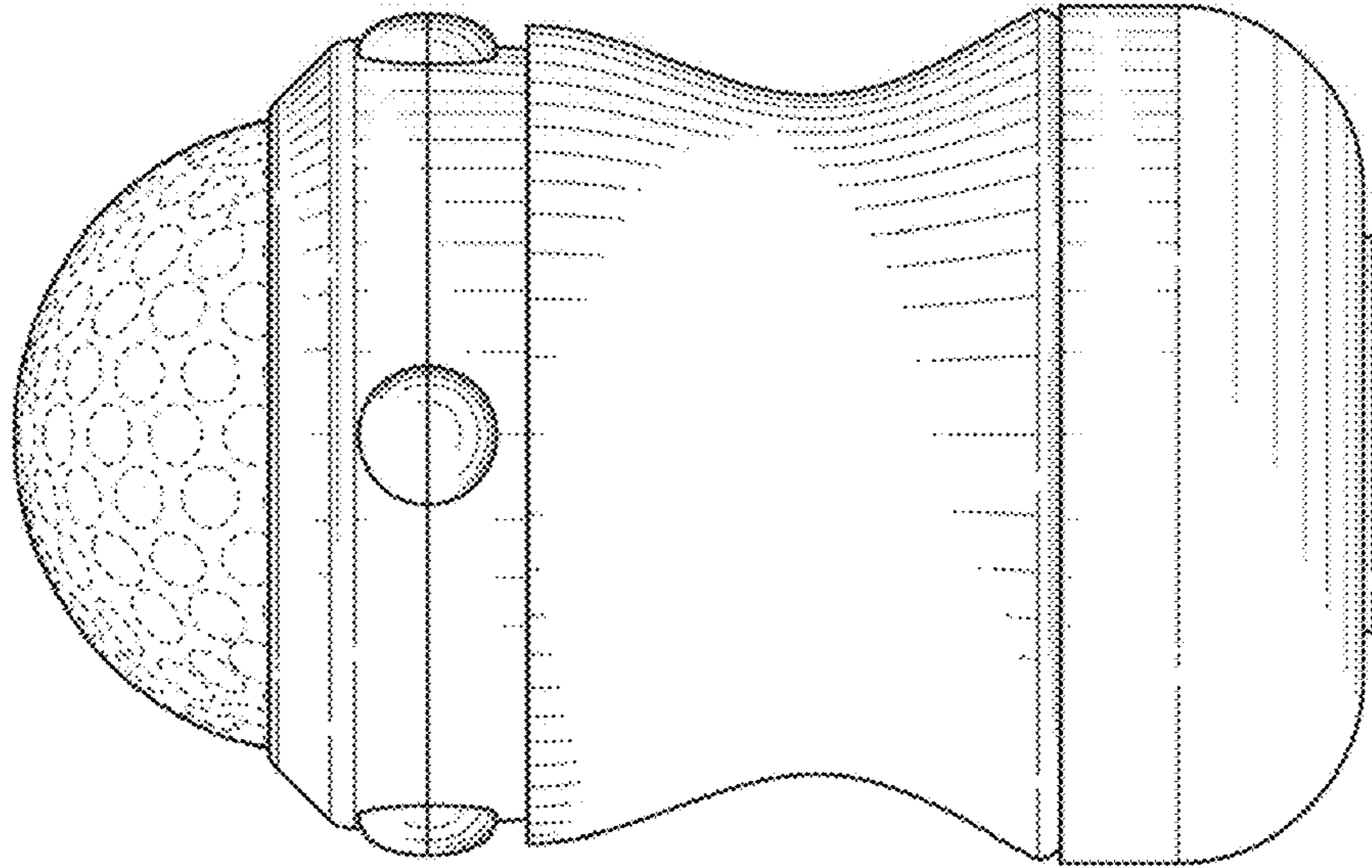


FIG. 2

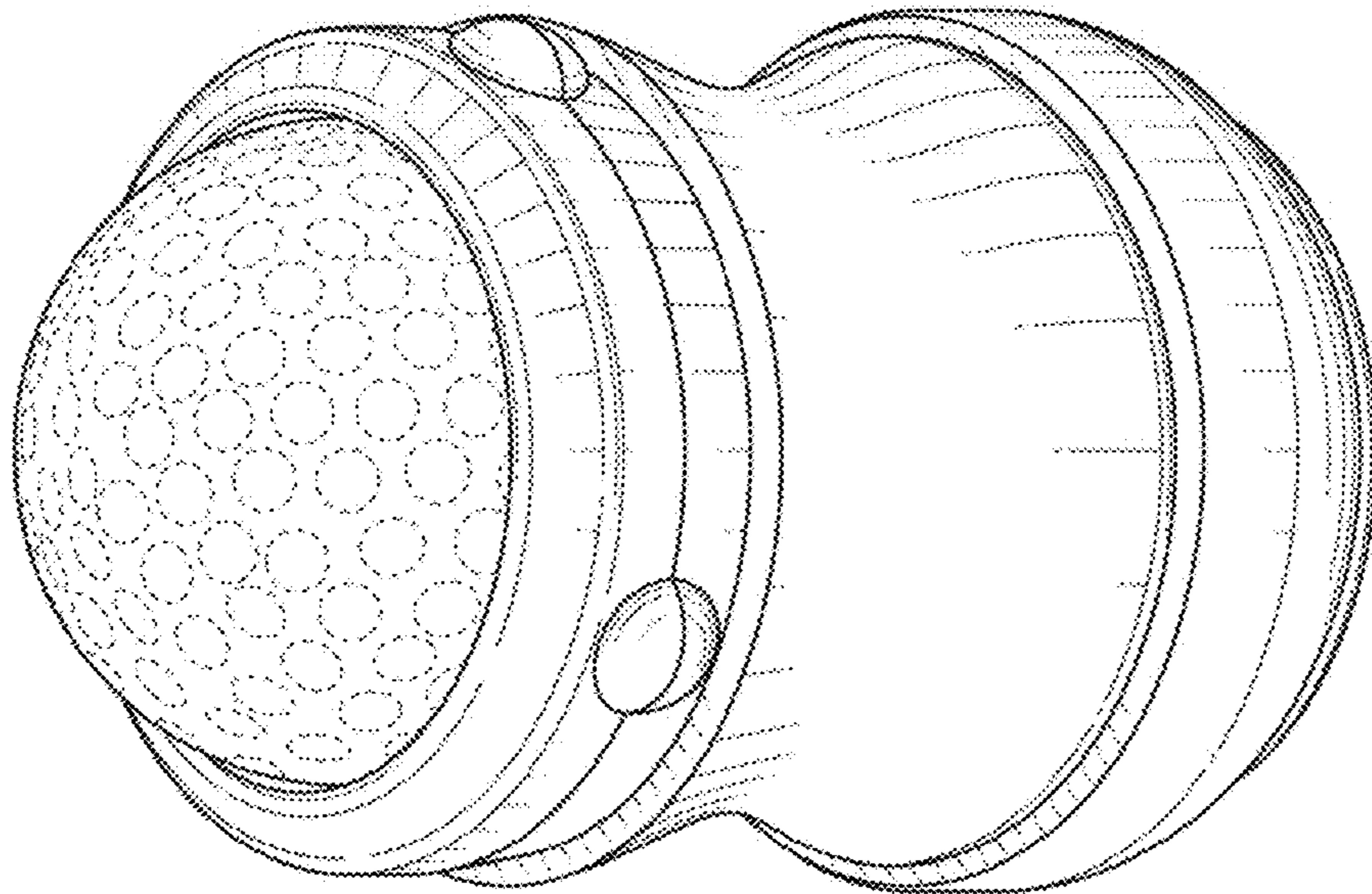


FIG. 1

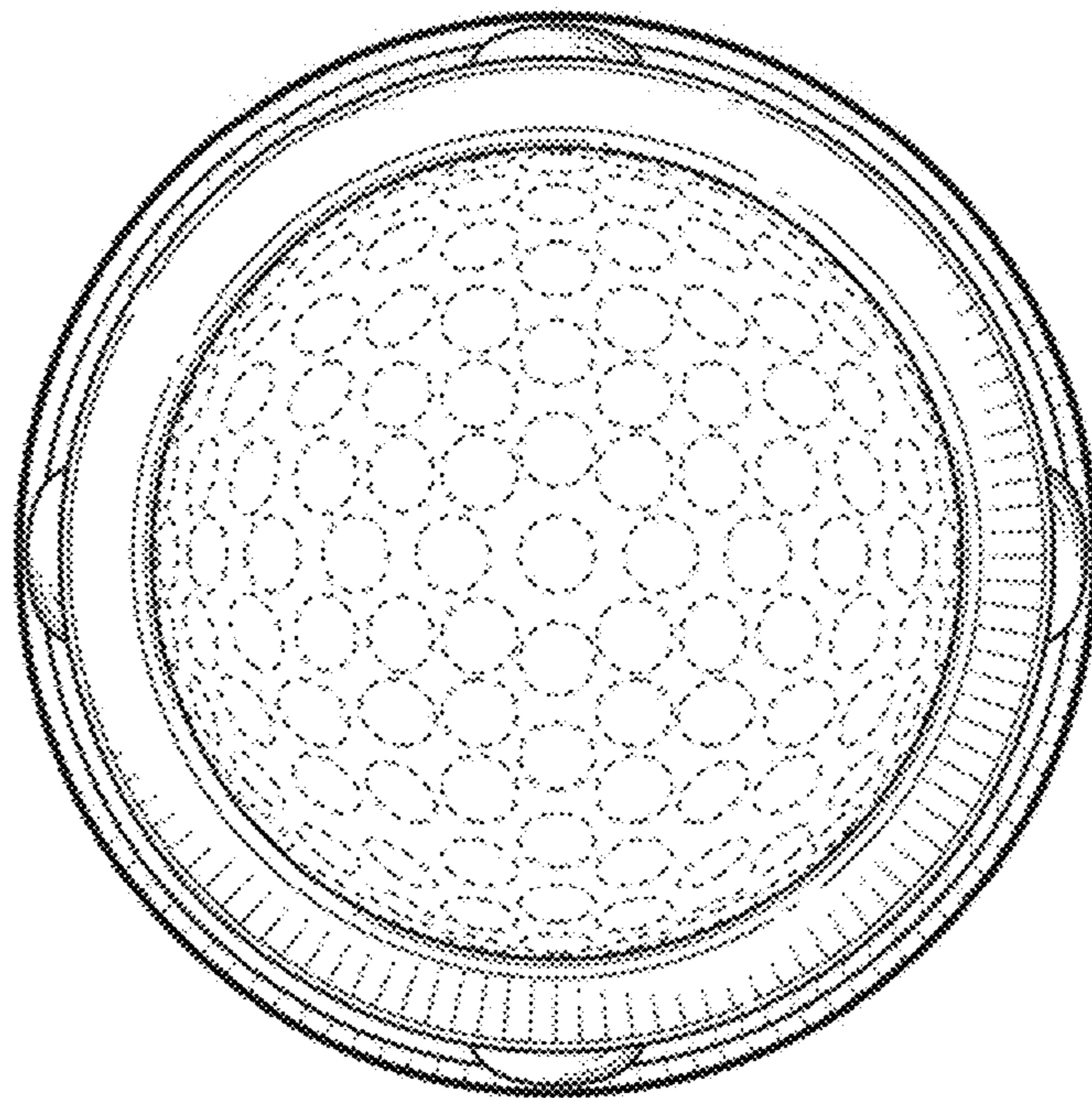


FIG. 3

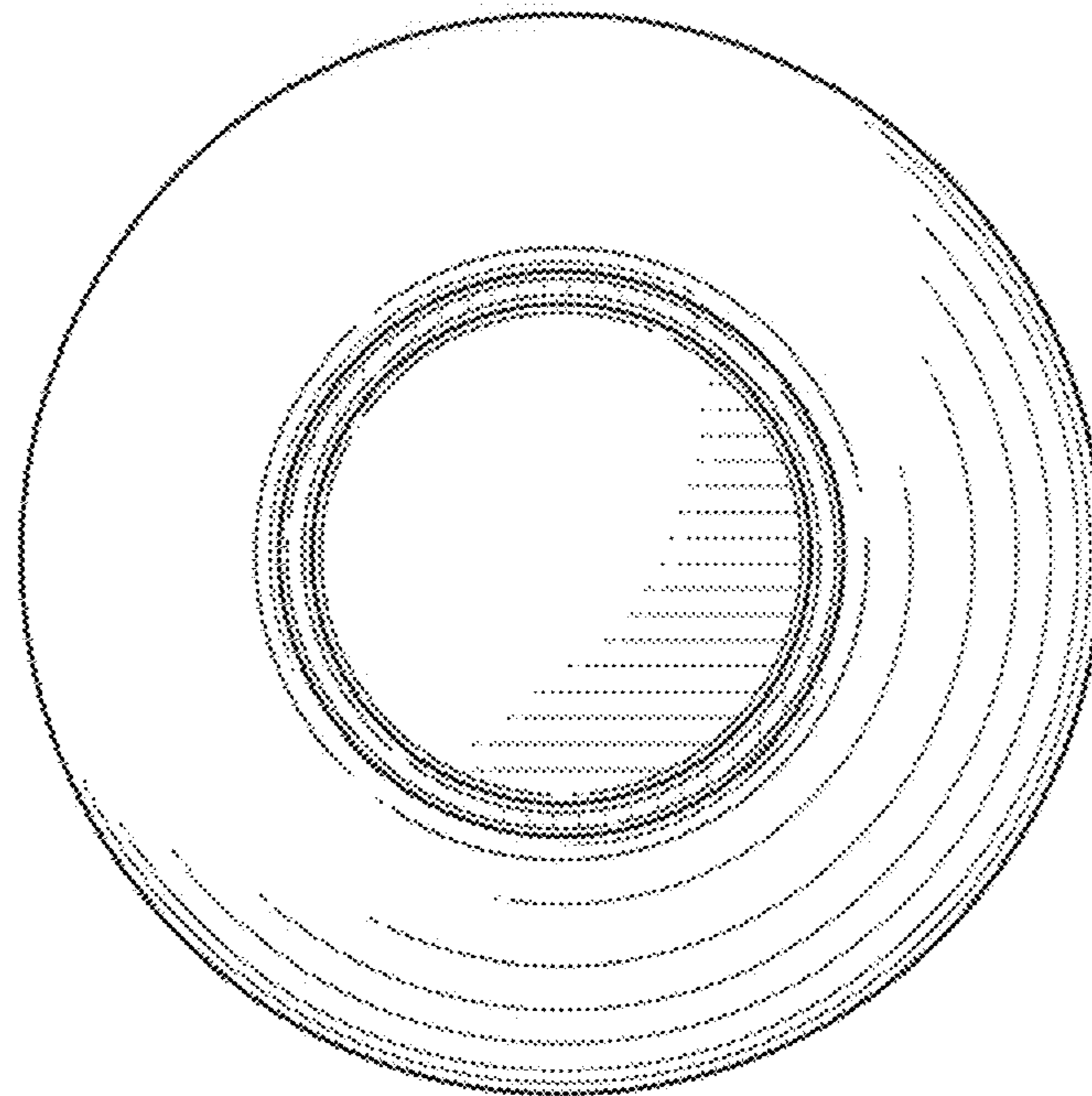


FIG. 4