



US00D841822S

(12) **United States Design Patent**  
**Hagenauer**

(10) **Patent No.:** **US D841,822 S**

(45) **Date of Patent:** **\*\* Feb. 26, 2019**

(54) **SOOTHER**  
(71) Applicant: **KONINKLIJKE PHILIPS N.V.**,  
Eindhoven (NL)  
(72) Inventor: **Georg Johann Hagenauer**, Amsterdam  
(NL)  
(73) Assignee: **KONINKLIJKE PHILIPS N.V.**,  
Eindhoven (NL)

D409,309 S \* 5/1999 Tollman ..... D24/194  
D419,240 S \* 1/2000 Leick ..... D24/194  
D445,902 S \* 7/2001 Luehne-Porath ..... D24/194  
D532,521 S \* 11/2006 Struckmeier ..... D24/194  
7,144,416 B2 \* 12/2006 Struckmeier ..... A61J 17/001  
606/236  
D541,422 S \* 4/2007 Pils ..... D24/194  
D559,391 S \* 1/2008 Kliegman ..... D24/194  
D572,368 S \* 7/2008 Kliegman ..... D24/194  
D574,963 S \* 8/2008 Kliegman ..... D24/194  
D594,559 S \* 6/2009 Kliegman ..... D24/194  
D612,945 S \* 3/2010 Roehrig ..... D24/194  
D616,557 S \* 5/2010 Roehrig ..... D24/194  
D626,653 S \* 11/2010 Roehrig ..... D24/194  
8,066,738 B2 \* 11/2011 Kliegman ..... A61J 17/001  
606/234  
D656,619 S \* 3/2012 Valderrama ..... D24/194

(\*\*) Term: **15 Years**  
(21) Appl. No.: **35/503,350**

(22) Filed: **Jan. 10, 2017**

(80) **Hague Agreement Data**

Int. Filing Date: **Jan. 10, 2017**  
Int. Reg. No.: **DM/094256**  
Int. Reg. Date: **Jan. 10, 2017**  
Int. Reg. Pub. Date: **Jul. 14, 2017**

*Primary Examiner* — Rhea Shields

(57) **CLAIM**

The ornamental design for a soother, as shown and described.

(30) **Foreign Application Priority Data**

Jul. 24, 2016 (EM) ..... 003317981-0001  
Jul. 24, 2016 (EM) ..... 003317981-0002

(51) **LOC (11) Cl.** ..... **24-04**  
(52) **U.S. Cl.**  
USPC ..... **D24/194**

(58) **Field of Classification Search**  
USPC ..... D24/194; D7/653, 401.2; D21/662;  
606/234, 235, 236  
CPC .... A61J 17/001; A63H 3/003; A63B 21/0004;  
A46B 5/023  
See application file for complete search history.

(56) **References Cited**

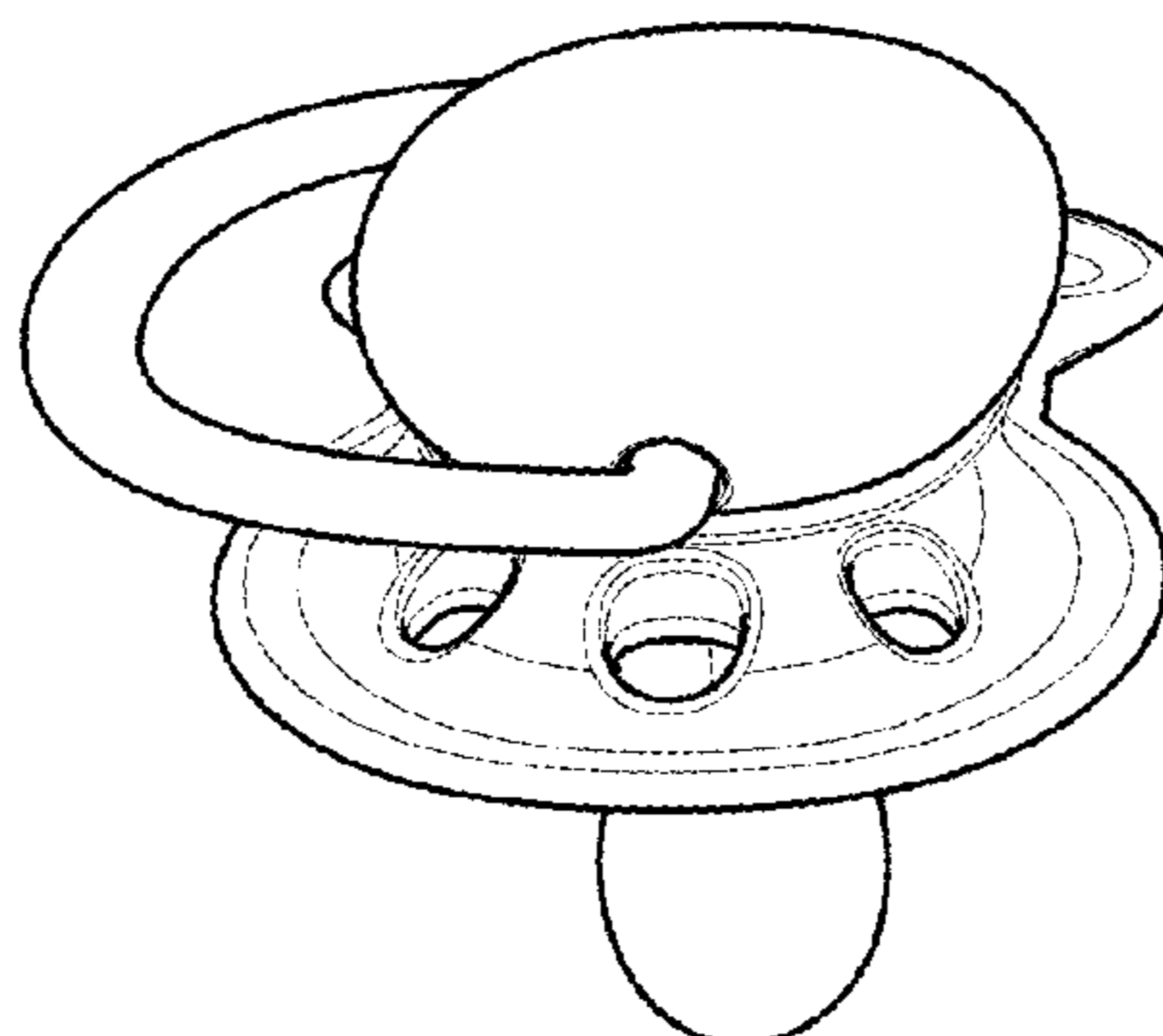
**U.S. PATENT DOCUMENTS**

D340,525 S \* 10/1993 Rohrig ..... D24/194  
D393,074 S \* 3/1998 Fields ..... D24/194

**DESCRIPTION**

1.-2. Soother  
1.1 is a perspective view showing the soother of my design;  
1.2 is a front elevational view thereof;  
1.3 is a rear elevational view thereof;  
1.4 is a left side elevational view thereof;  
1.5 is a right side elevational view thereof;  
1.6 is a top plan view thereof; and  
1.7 is a bottom plan view thereof.  
2.1 is a perspective view showing the soother of my design;  
2.2 is a front elevational view thereof;  
2.3 is a rear elevational view thereof;  
2.4 is a left side elevational view thereof;  
2.5 is a right side elevational view thereof;  
2.6 is a top plan view thereof; and  
2.7 is a bottom plan view thereof.

**1 Claim, 6 Drawing Sheets**



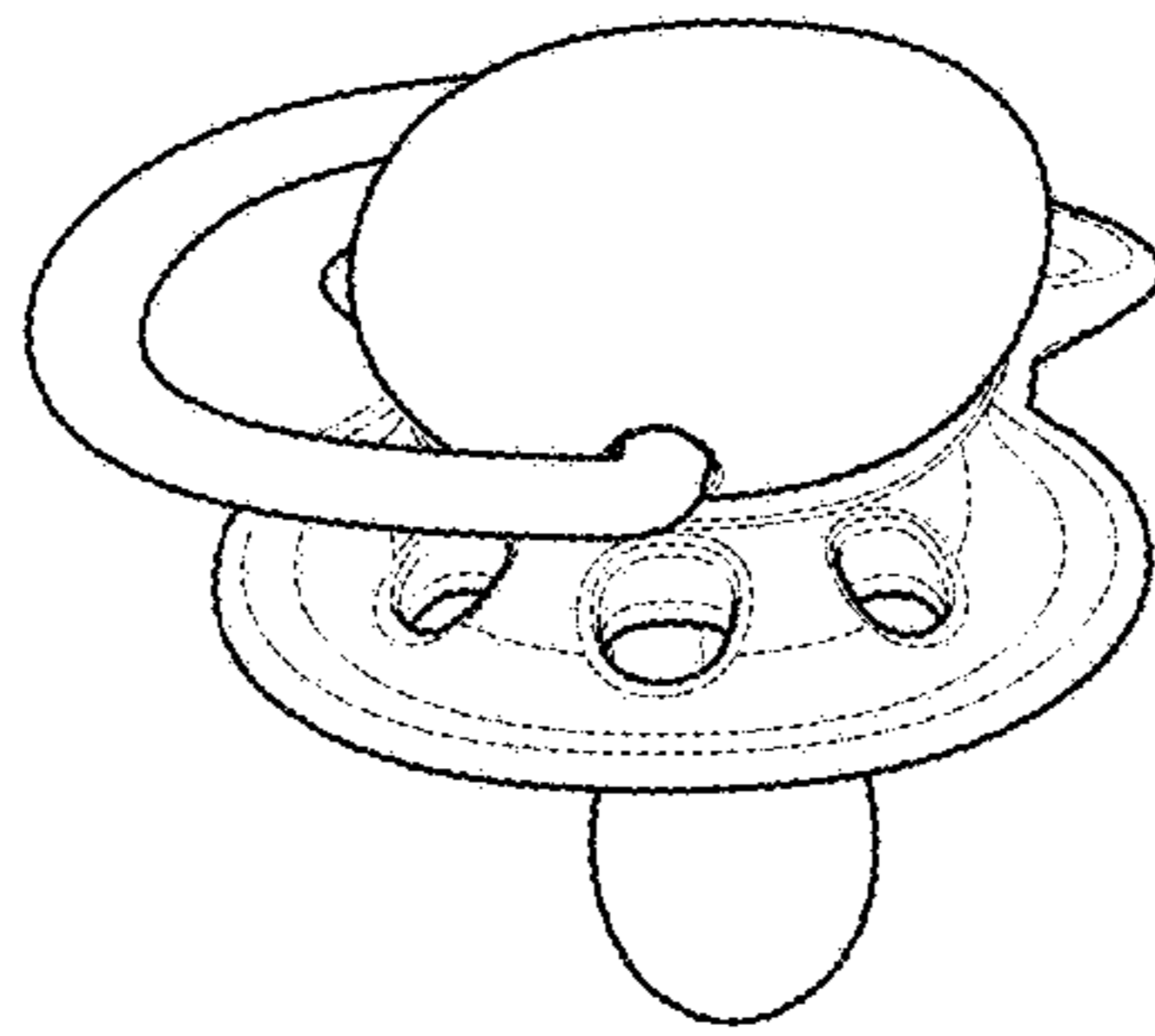
(56)

**References Cited**

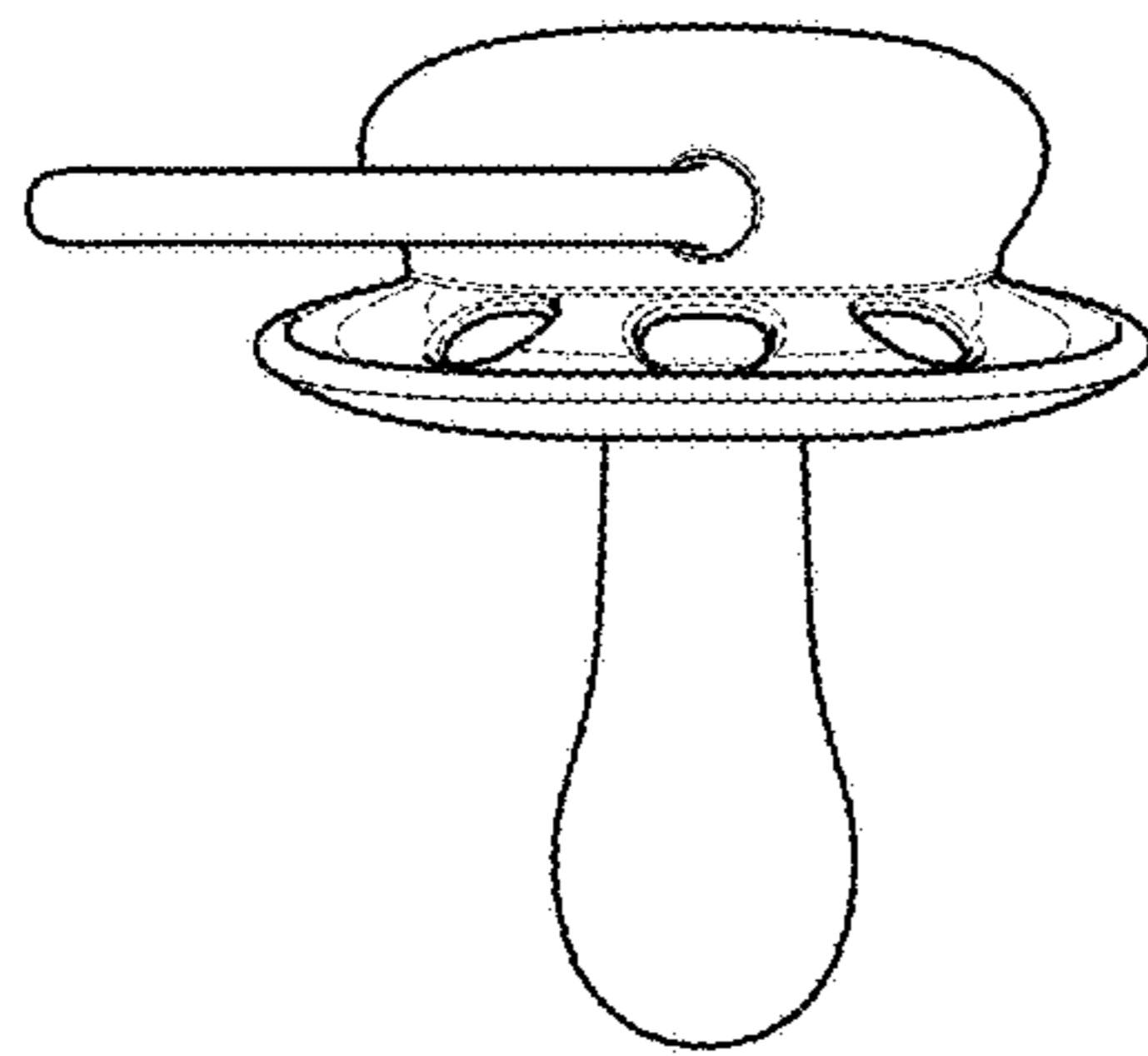
U.S. PATENT DOCUMENTS

8,133,259	B2 *	3/2012	Roehrig .....	A61J 17/001 606/234
D662,600	S *	6/2012	Rhodes, II .....	D24/194
8,211,144	B2 *	7/2012	Rohrig .....	A46B 5/023 606/235
RE43,730	E *	10/2012	Pils .....	D24/194
D674,496	S *	1/2013	Roehrig .....	D24/194
D675,686	S *	2/2013	Maki .....	A63B 21/0004 D21/662
D686,331	S *	7/2013	Dussere .....	D24/194
D689,618	S *	9/2013	Valderrama .....	D24/194
D725,787	S *	3/2015	Brown .....	D24/194
9,028,531	B2 *	5/2015	Rohrig .....	A61J 17/001 606/234
D737,095	S *	8/2015	Trumbo .....	D7/401.2
D748,811	S *	2/2016	Lee .....	D24/194
9,320,975	B2 *	4/2016	McClintock .....	A63H 3/003
D767,152	S *	9/2016	Hakim .....	D24/194
9,585,815	B2 *	3/2017	Tesini .....	A61J 17/001
D799,280	S *	10/2017	Shalev .....	D7/653
D799,910	S *	10/2017	Shalev .....	D7/653

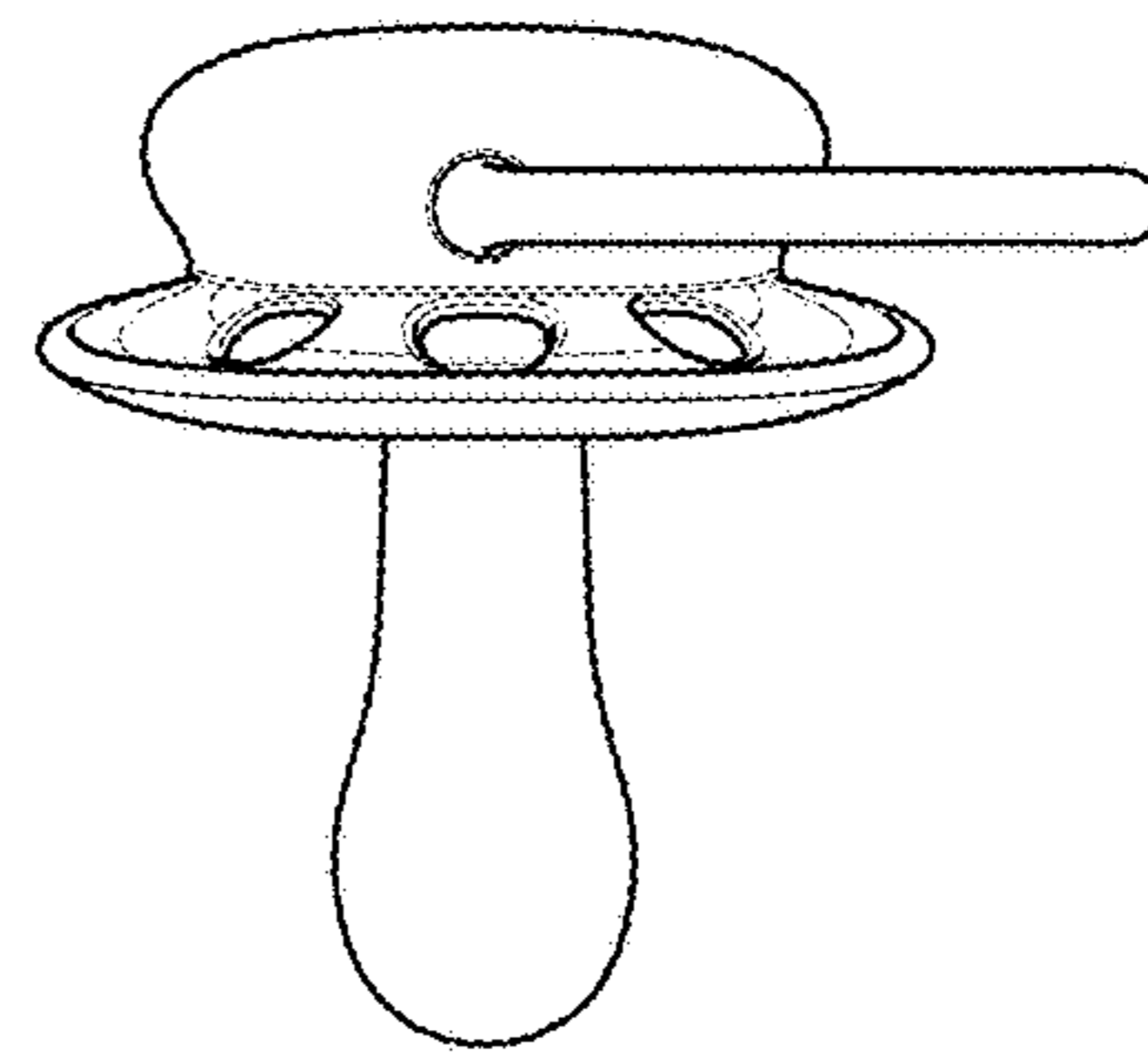
\* cited by examiner



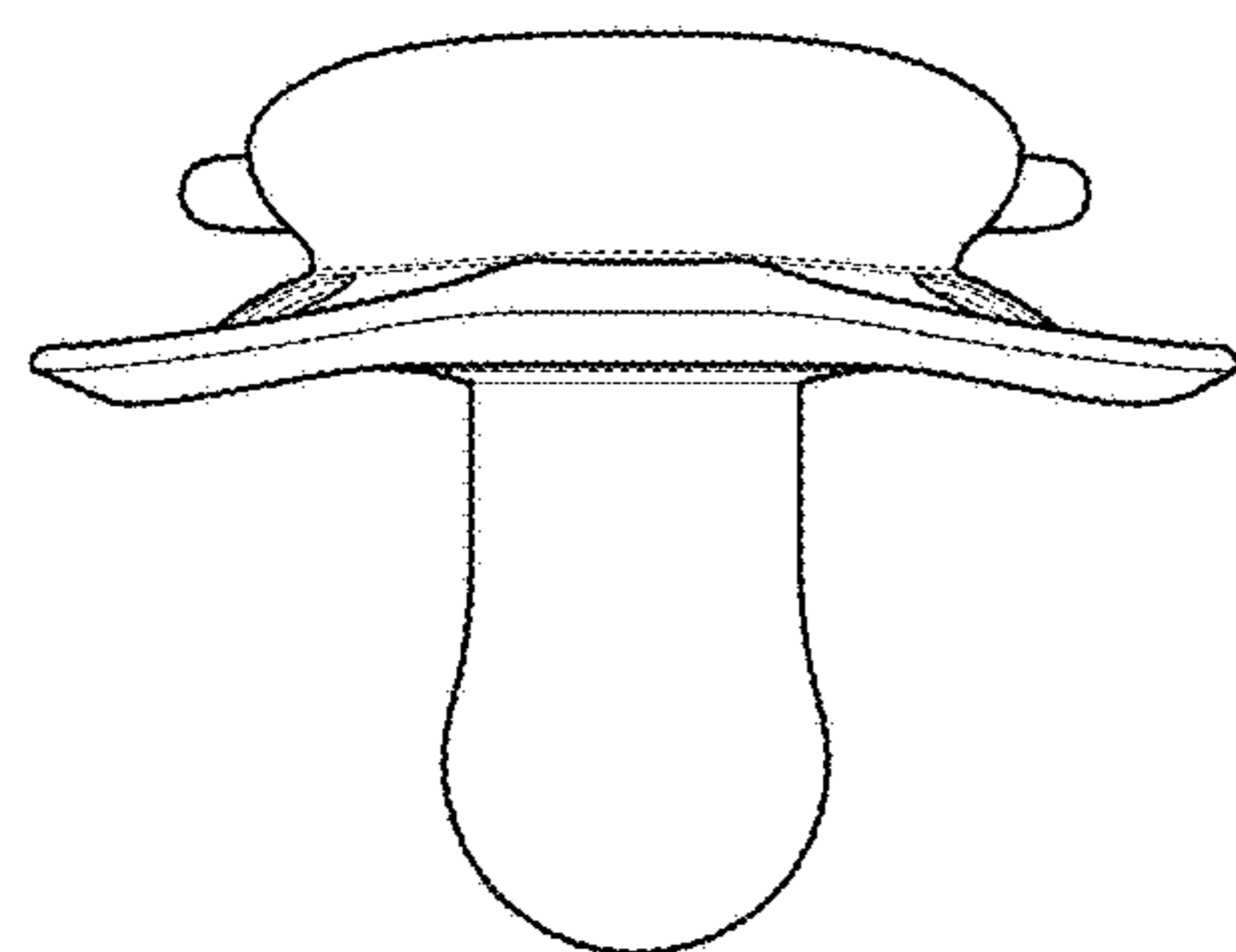
1.1



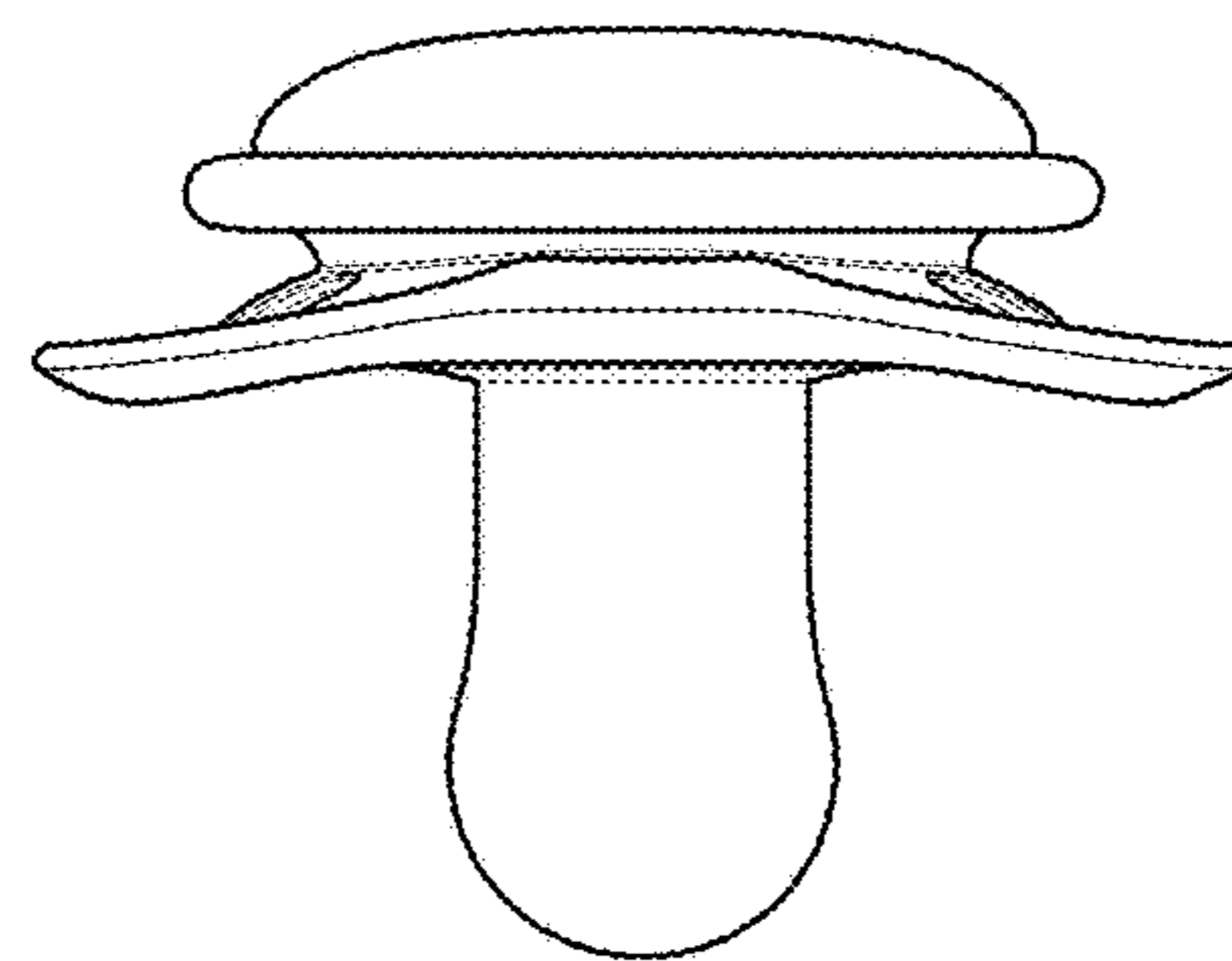
1.2



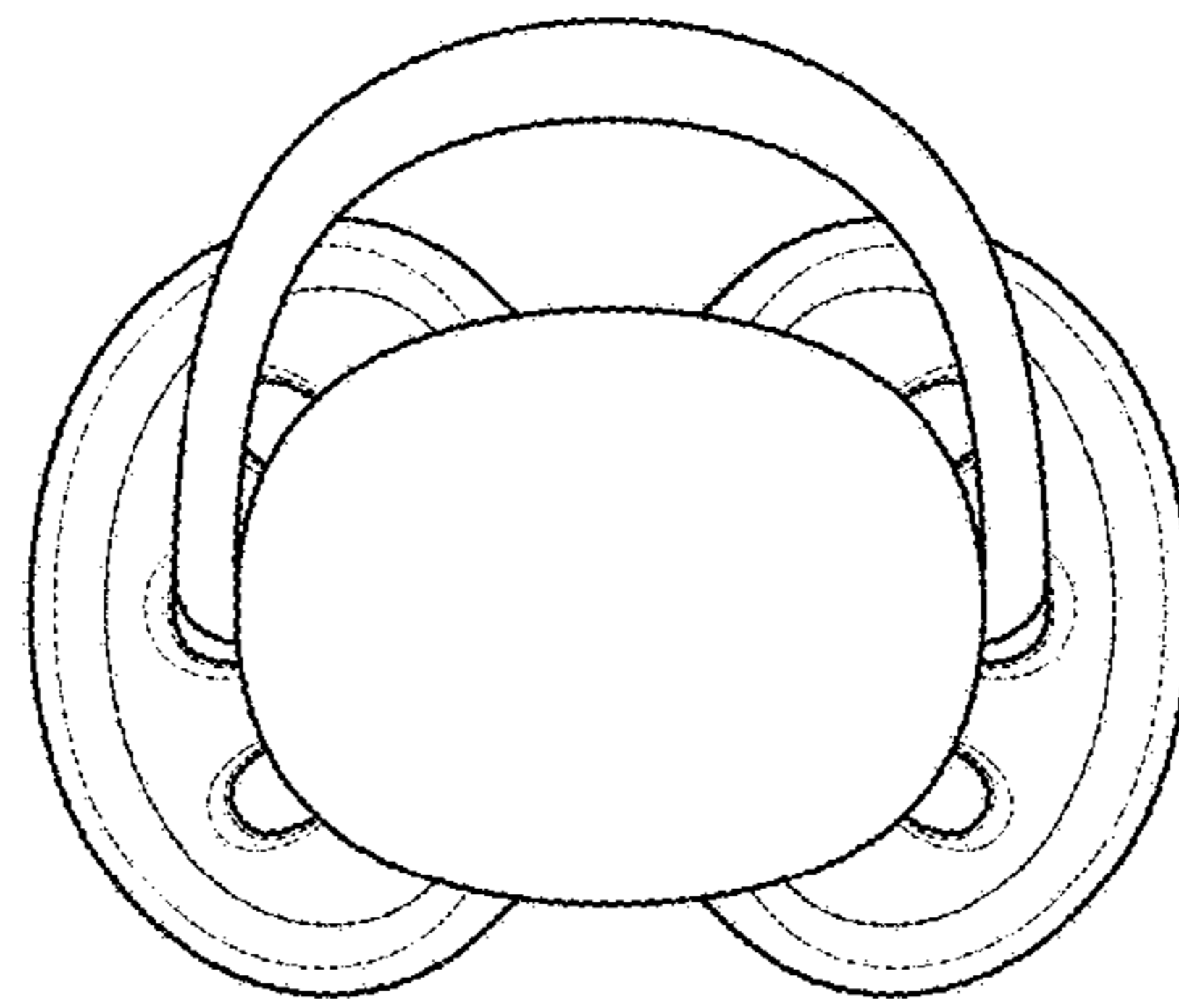
1.3



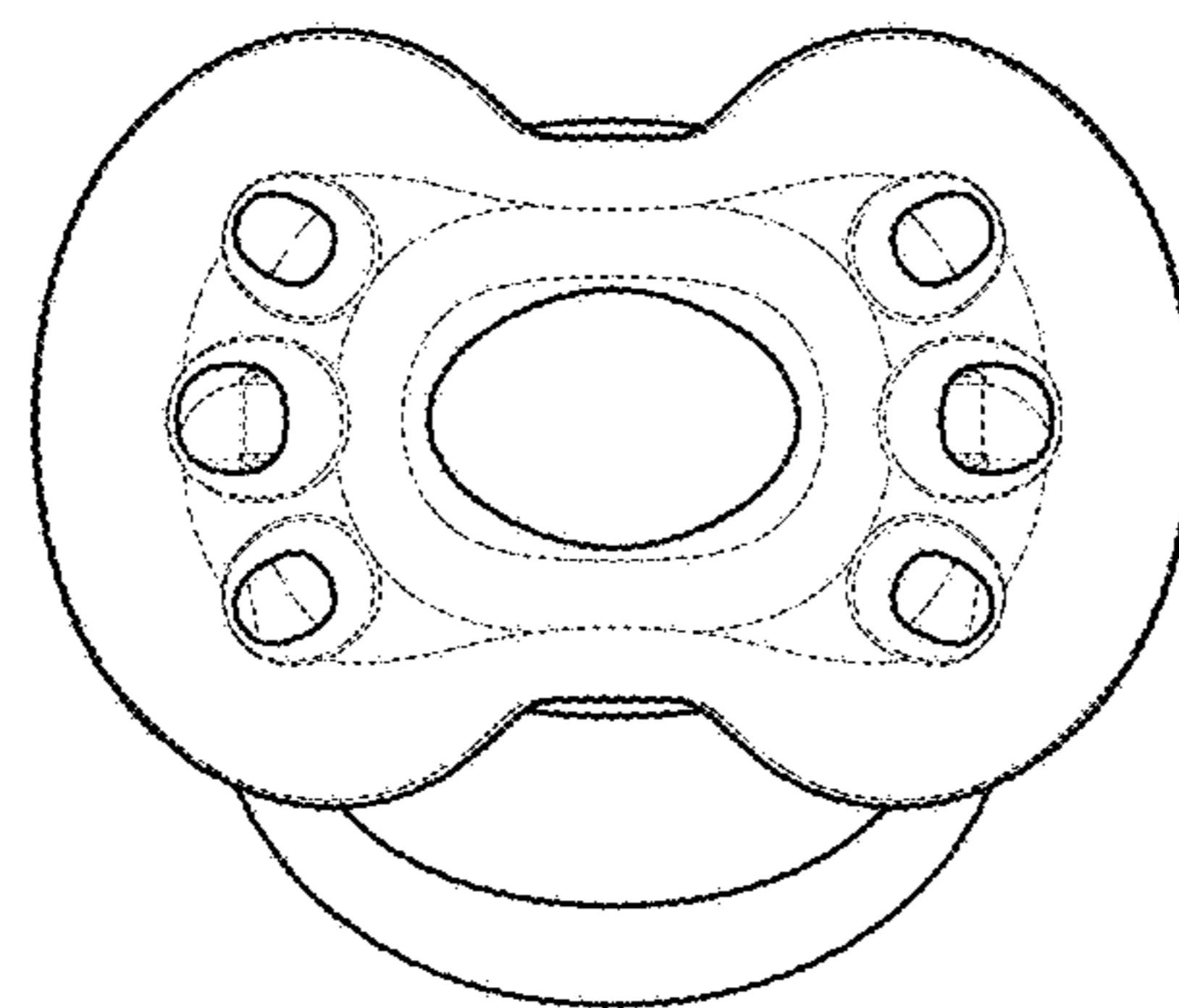
1.4



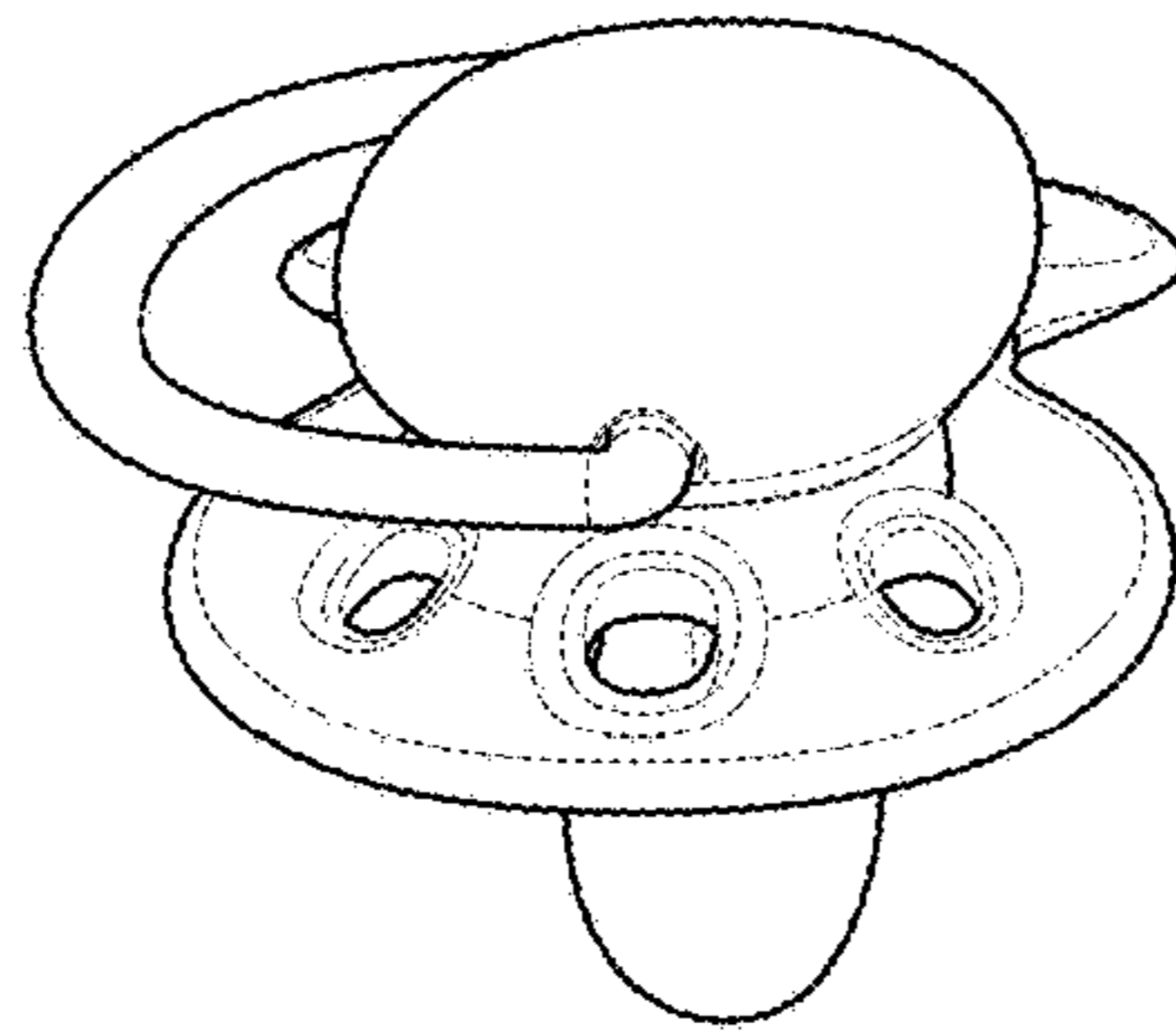
1.5



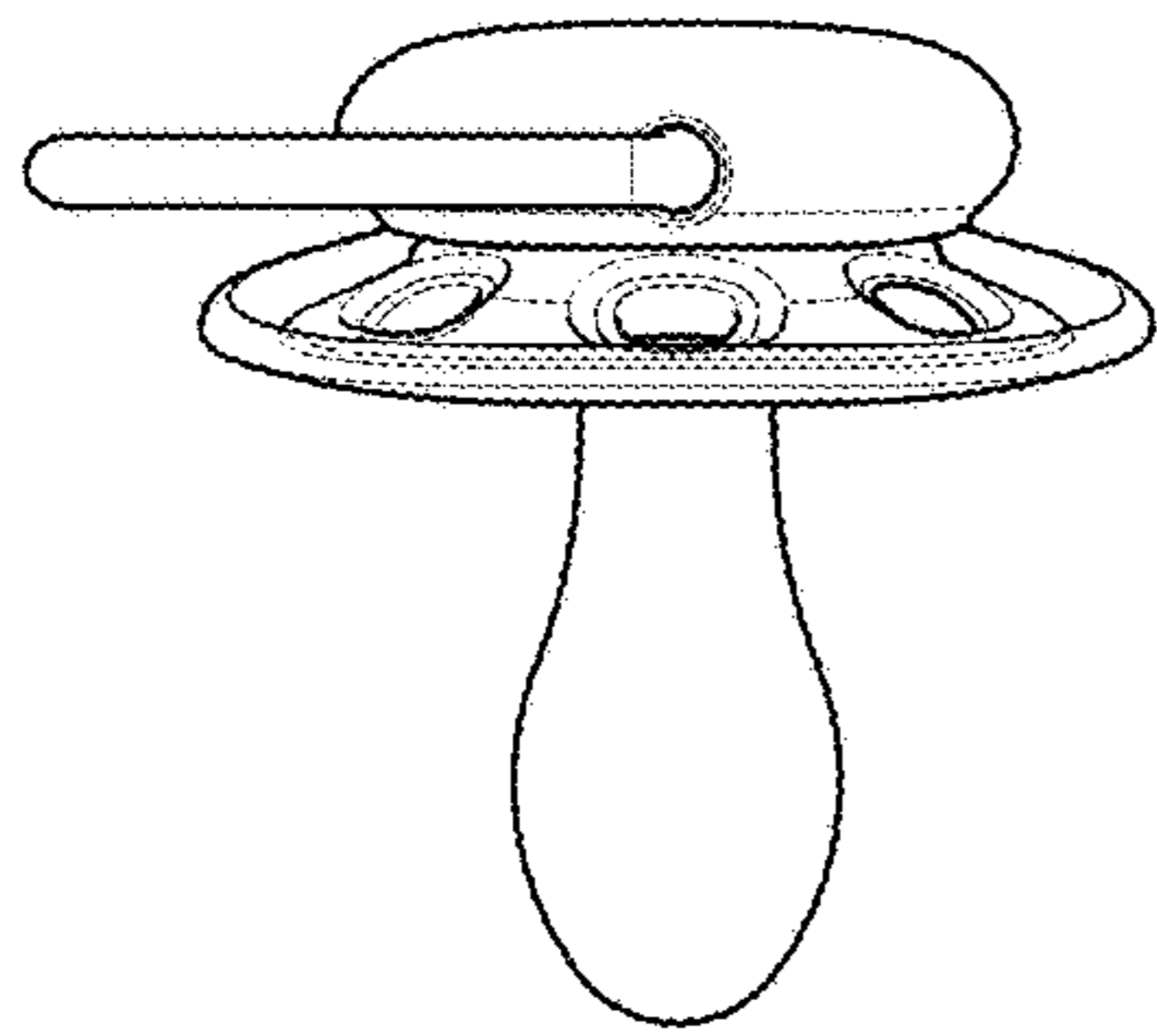
1.6



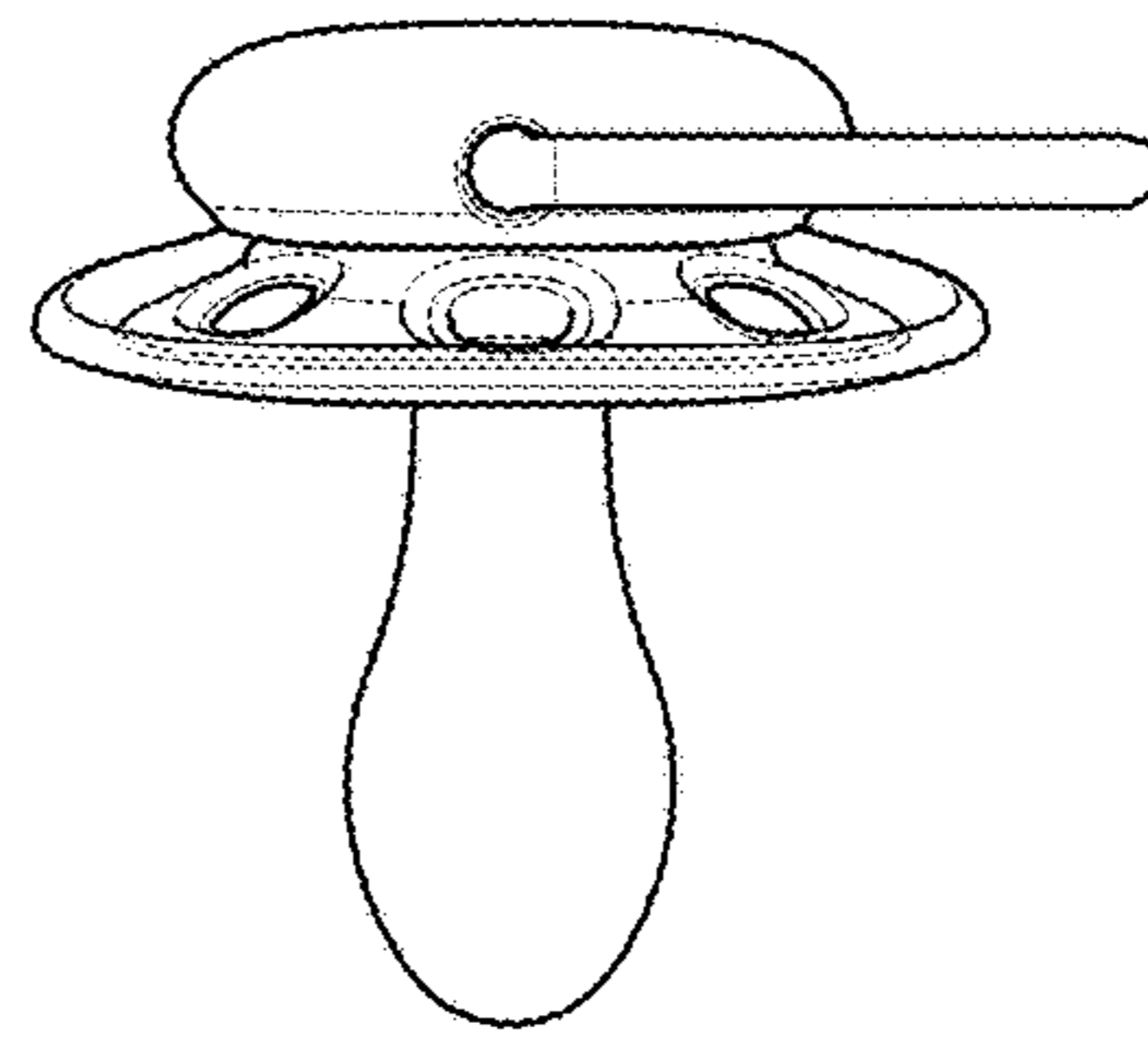
1.7



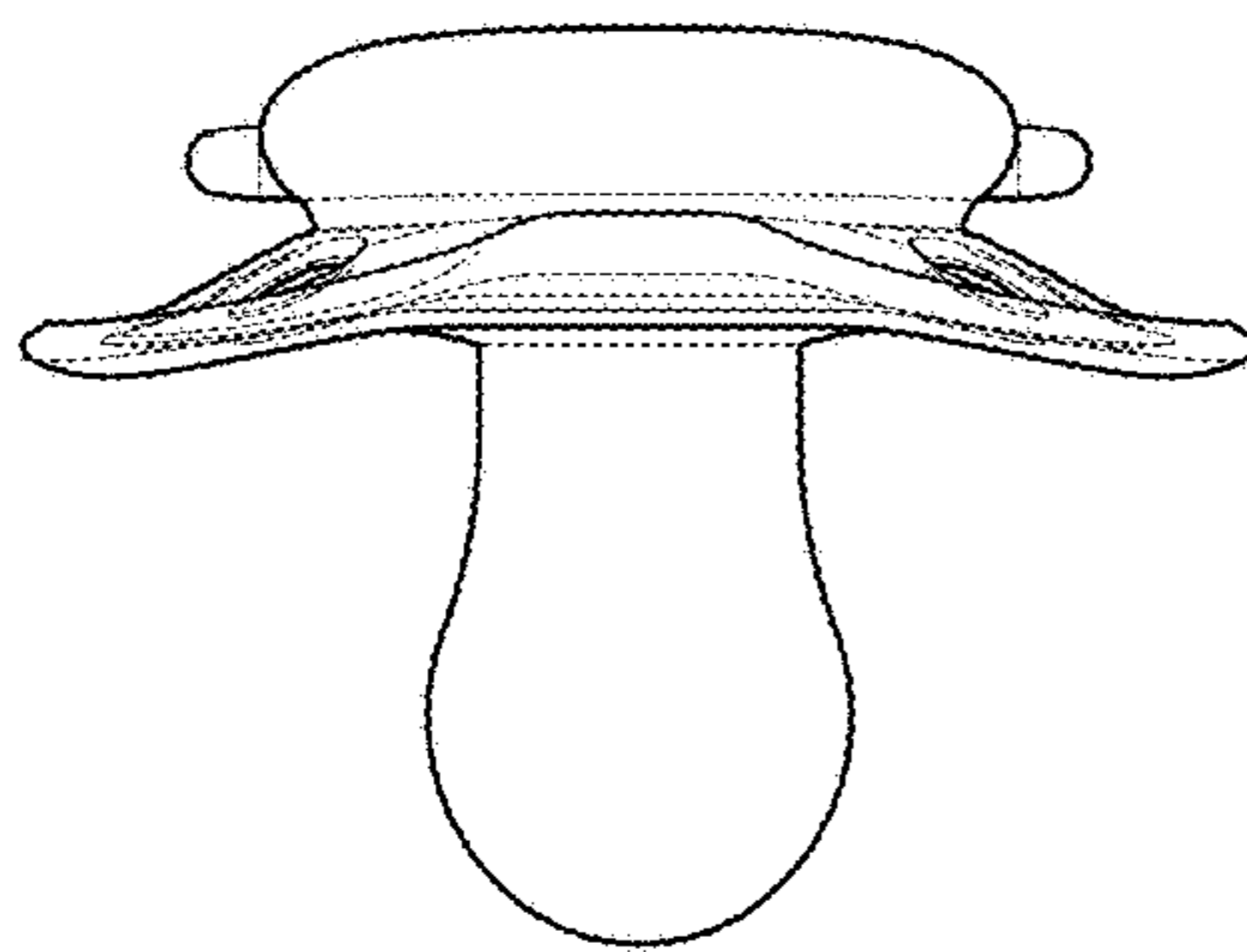
2.1



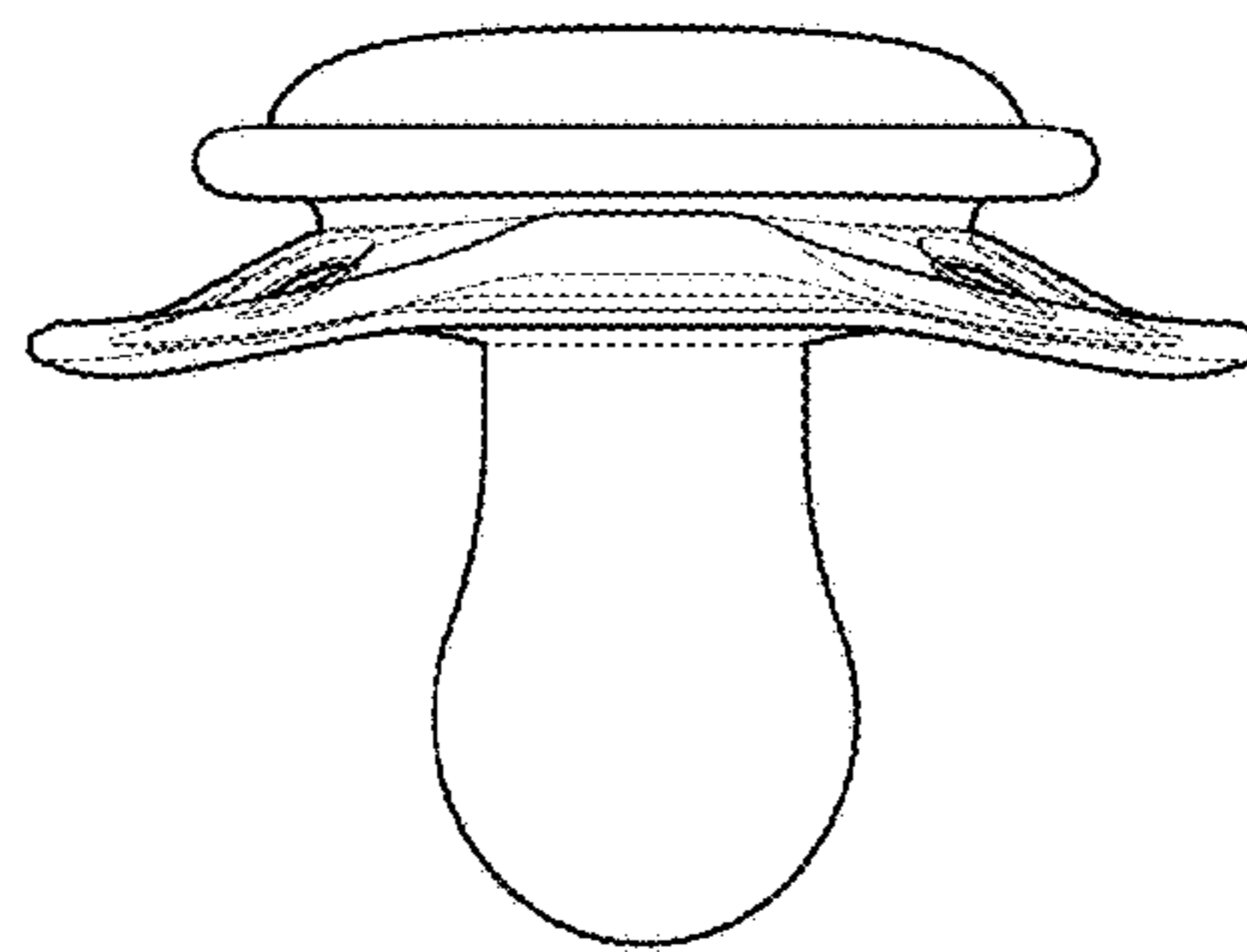
2.2



2.3

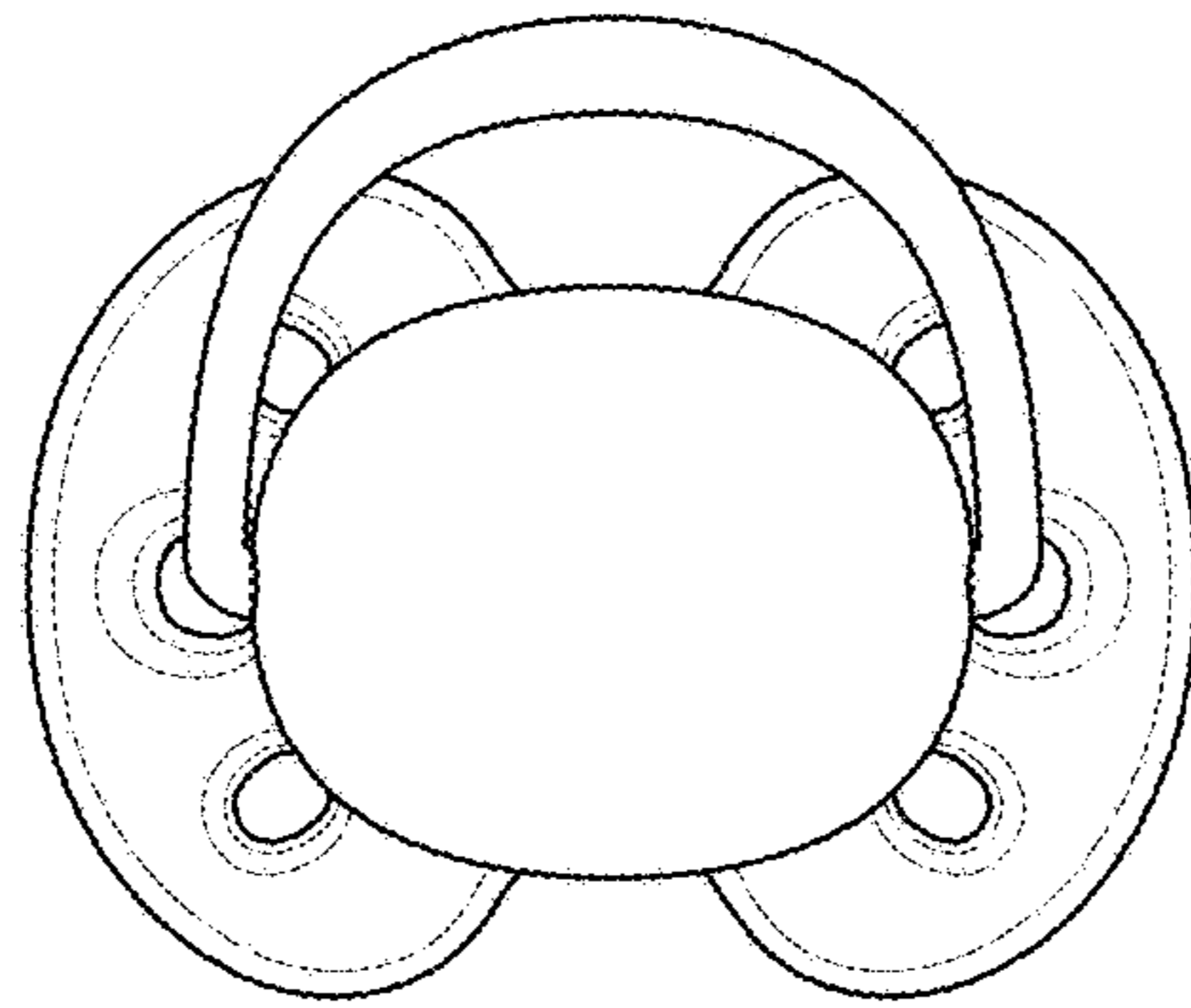


2.4

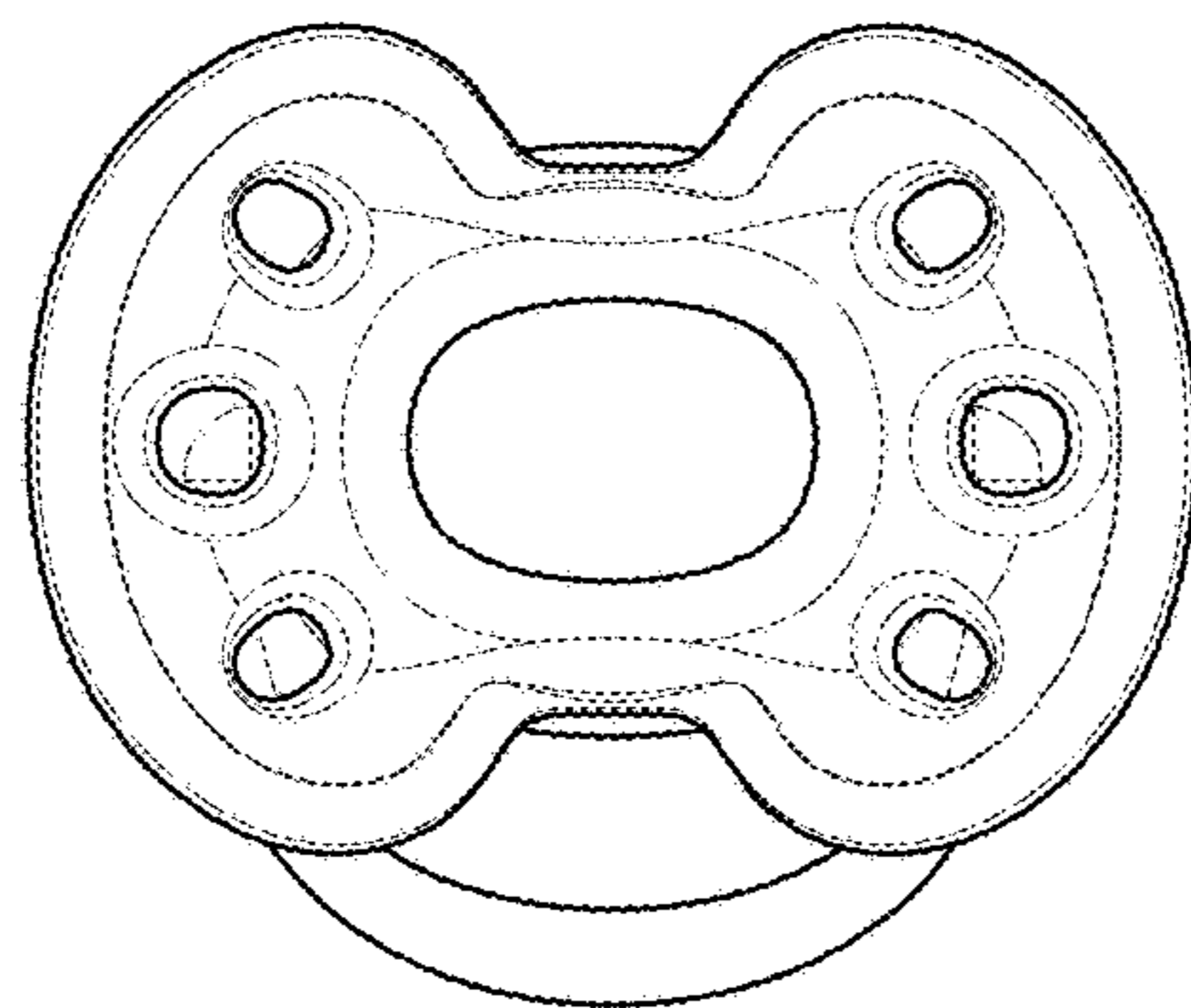


2.5





2.6



2.7