



US00D841821S

(12) **United States Design Patent** (10) **Patent No.:** **US D841,821 S**
Sorbel et al. (45) **Date of Patent:** **** Feb. 26, 2019**

(54) **ATTACHMENT FOR PHYSICAL THERAPY DEVICE**

(71) Applicants: **Shayna Sorbel**, Newport Coast, CA (US); **Floyd W. Kaylor**, Newport Coast, CA (US)

(72) Inventors: **Shayna Sorbel**, Newport Coast, CA (US); **Floyd W. Kaylor**, Newport Coast, CA (US)

(**) Term: **15 Years**

(21) Appl. No.: **29/591,506**

(22) Filed: **Jan. 20, 2017**

(51) **LOC (11) Cl.** **24-02**

(52) **U.S. Cl.**
USPC **D24/188**

(58) **Field of Classification Search**
USPC D24/188
CPC A63B 26/00; A63B 22/00
See application file for complete search history.

(56) **References Cited**

U.S. PATENT DOCUMENTS

6,019,712	A *	2/2000	Duncan	A63B 21/0004 446/168
6,543,769	B1 *	4/2003	Podoloff	A63B 21/0004 273/148 B
7,775,952	B1 *	8/2010	Curran	A63B 22/18 482/146
8,926,483	B1 *	1/2015	Holloway	A63B 26/003 297/271.5
9,079,072	B2 *	7/2015	Agostini	A63B 22/18
9,327,155	B2 *	5/2016	Doyle	A63B 21/00
9,387,363	B1 *	7/2016	Polinsky	A63B 26/003

D794,808	S *	8/2017	Sorbel	D21/684
D794,810	S *	8/2017	Sorbel	D21/685
D819,824	S *	6/2018	Moehlenbrock	D24/211
10,010,758	B2 *	7/2018	Osler	A47C 9/002
2013/0324382	A1 *	12/2013	Wilson	A61H 7/007 482/142

* cited by examiner

Primary Examiner — Charles D Hanson
(74) *Attorney, Agent, or Firm* — Cionca IP Law P.C.;
Marin Cionca

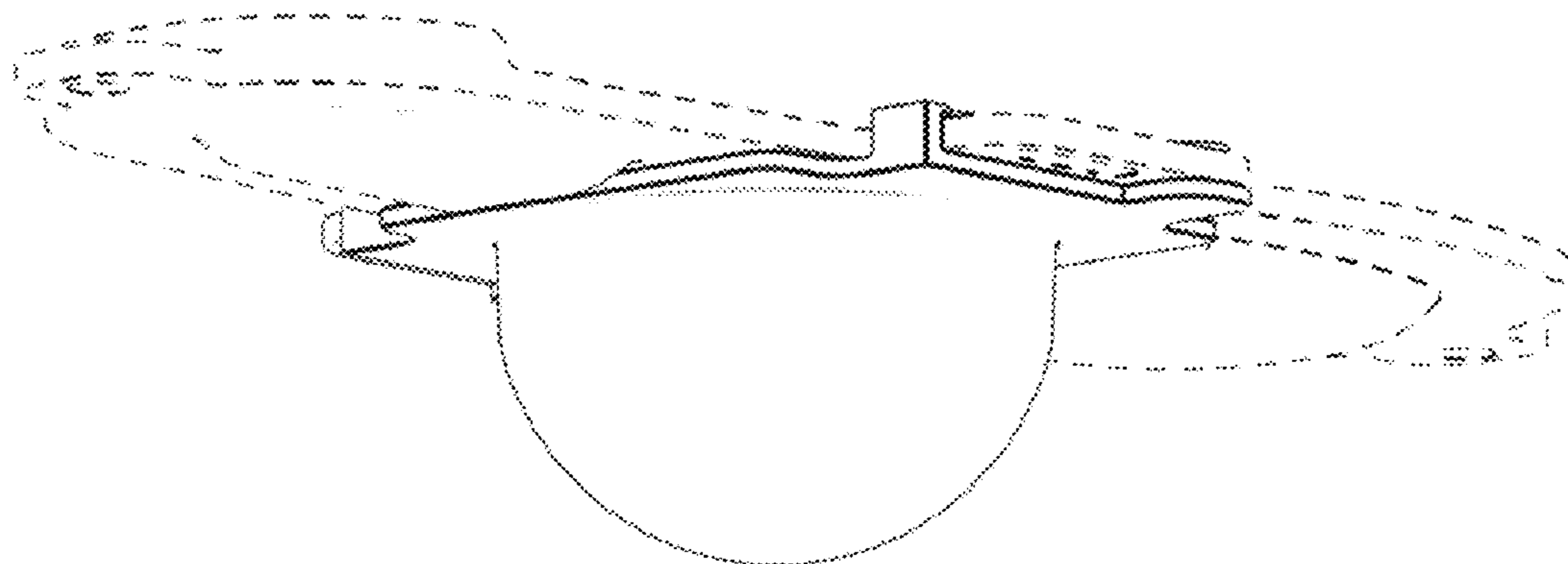
(57) **CLAIM**

The ornamental design for an attachment for physical therapy device, as shown and described.

DESCRIPTION

FIG. 1 is a top plan view of an attachment showing the new design;
FIG. 2 is a bottom plan view thereof;
FIG. 3 is a left side elevation view thereof;
FIG. 4 is a right side elevation view thereof;
FIG. 5 is a top perspective view thereof;
FIG. 6 is a bottom perspective view thereof;
FIG. 7 is a front elevation view thereof;
FIG. 8 is a back elevation view thereof;
FIG. 9 is a top perspective view thereof in an attached state, with additional disclaimed environment; and,
FIG. 10 is a bottom perspective view thereof in an attached state, with additional disclaimed environment.
The broken lines immediately adjacent the shaded surfaces represent the bounds of the claimed design. All other broken lines depict environmental subject matter that forms no part of the claimed design. The broken lines and unshaded surfaces bounded by broken lines form no part of the claimed design.

1 Claim, 5 Drawing Sheets



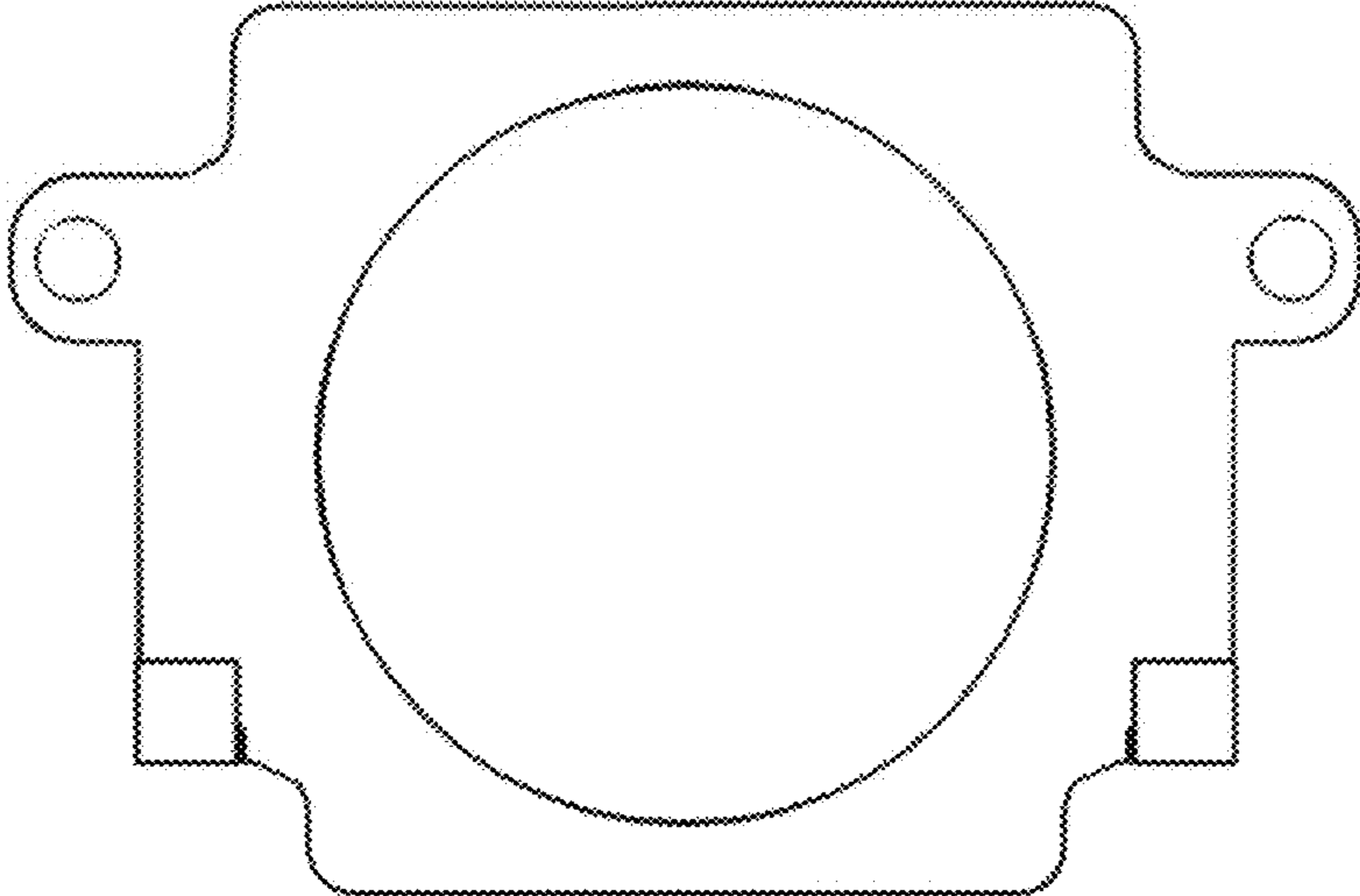


FIG.1

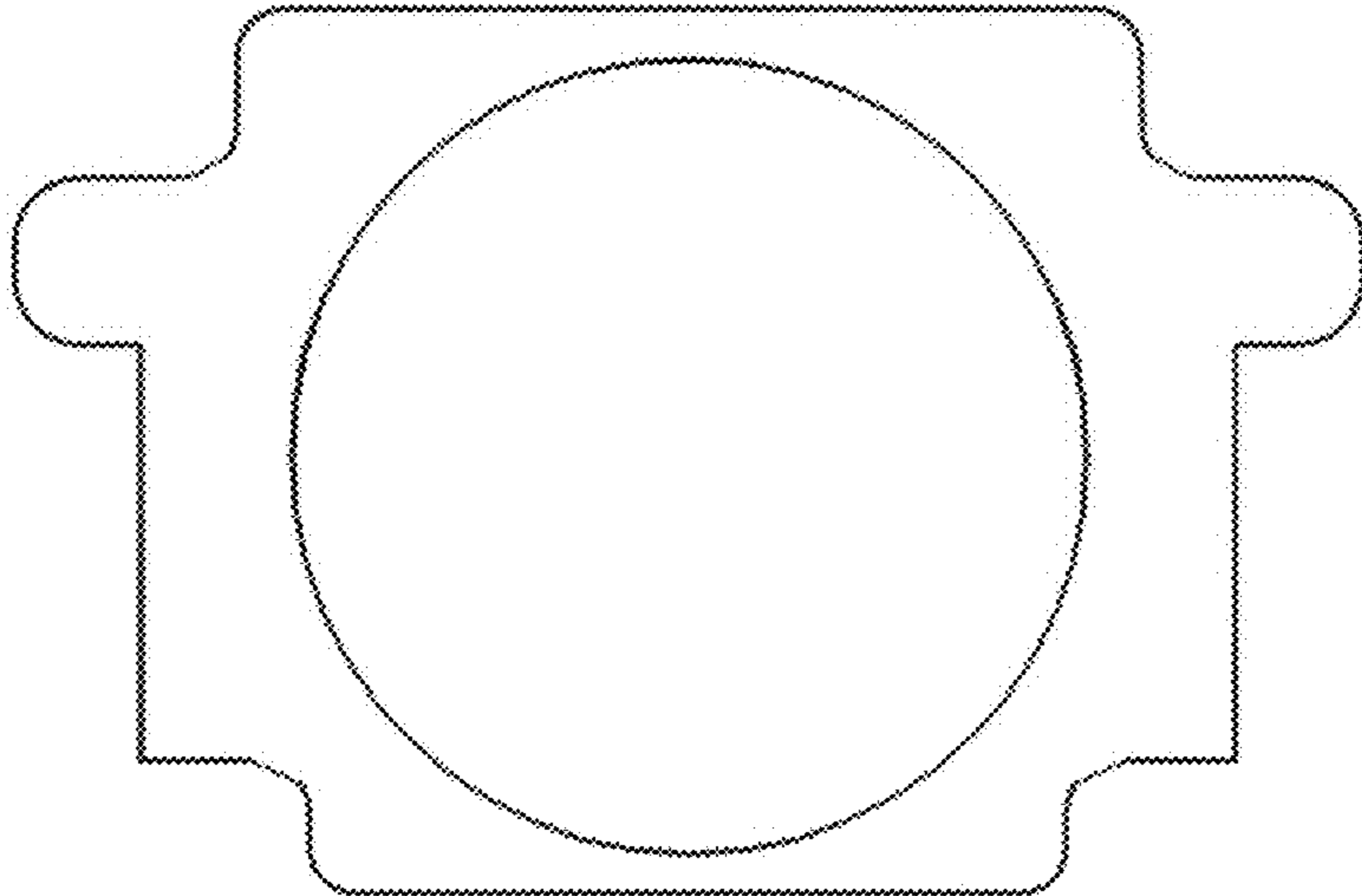


FIG.2

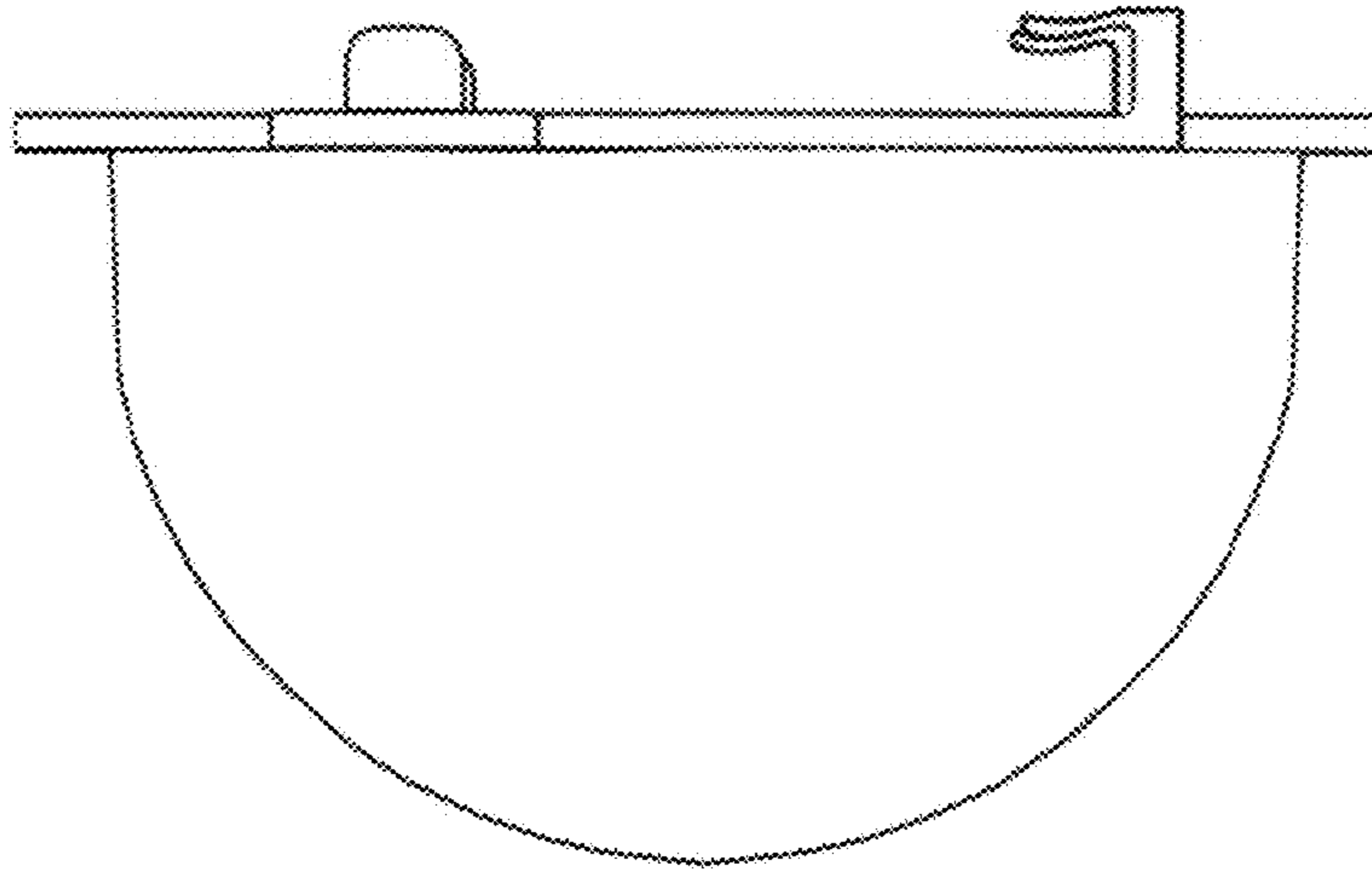


FIG.3

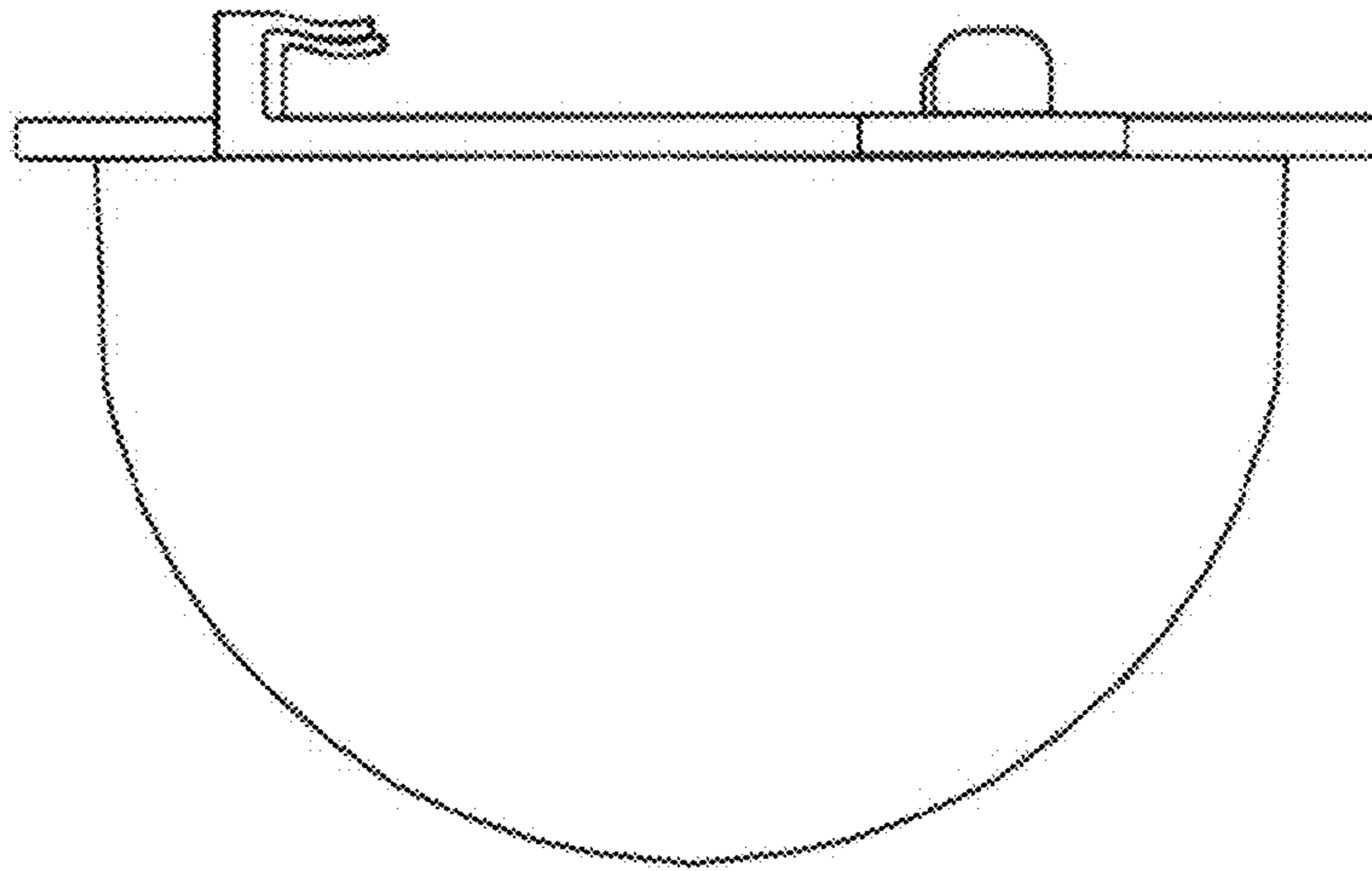


FIG.4

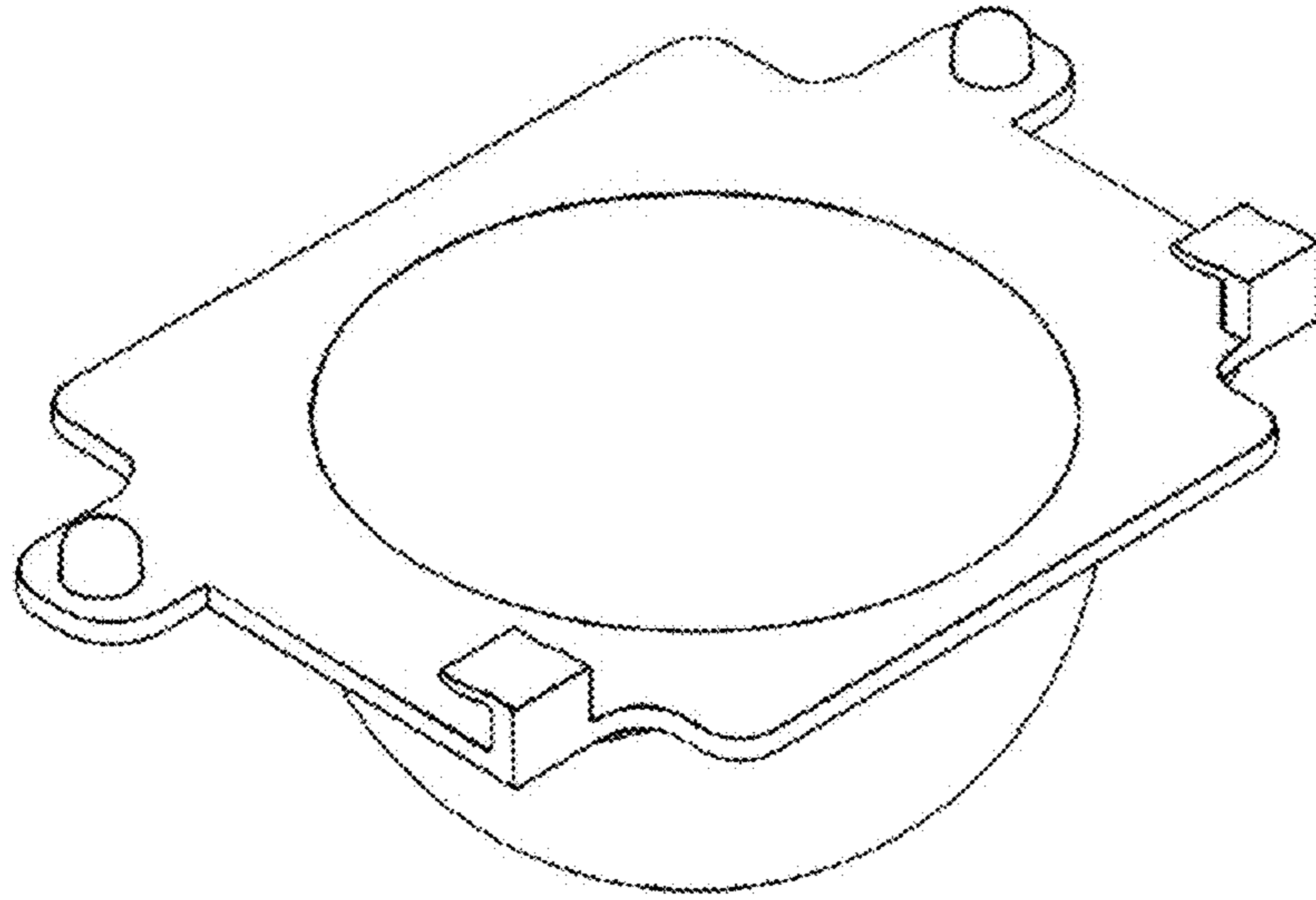


FIG.5

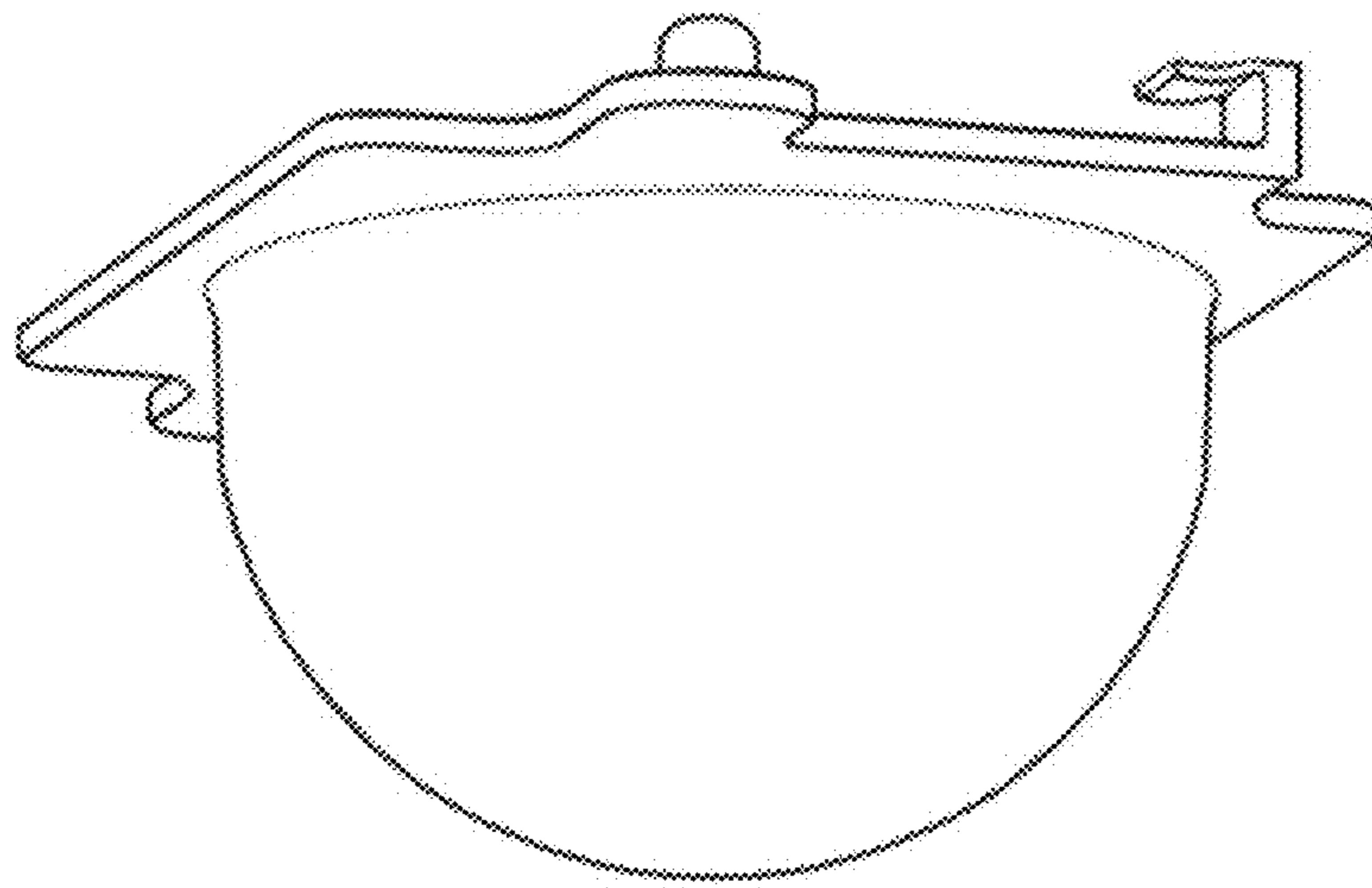


FIG.6

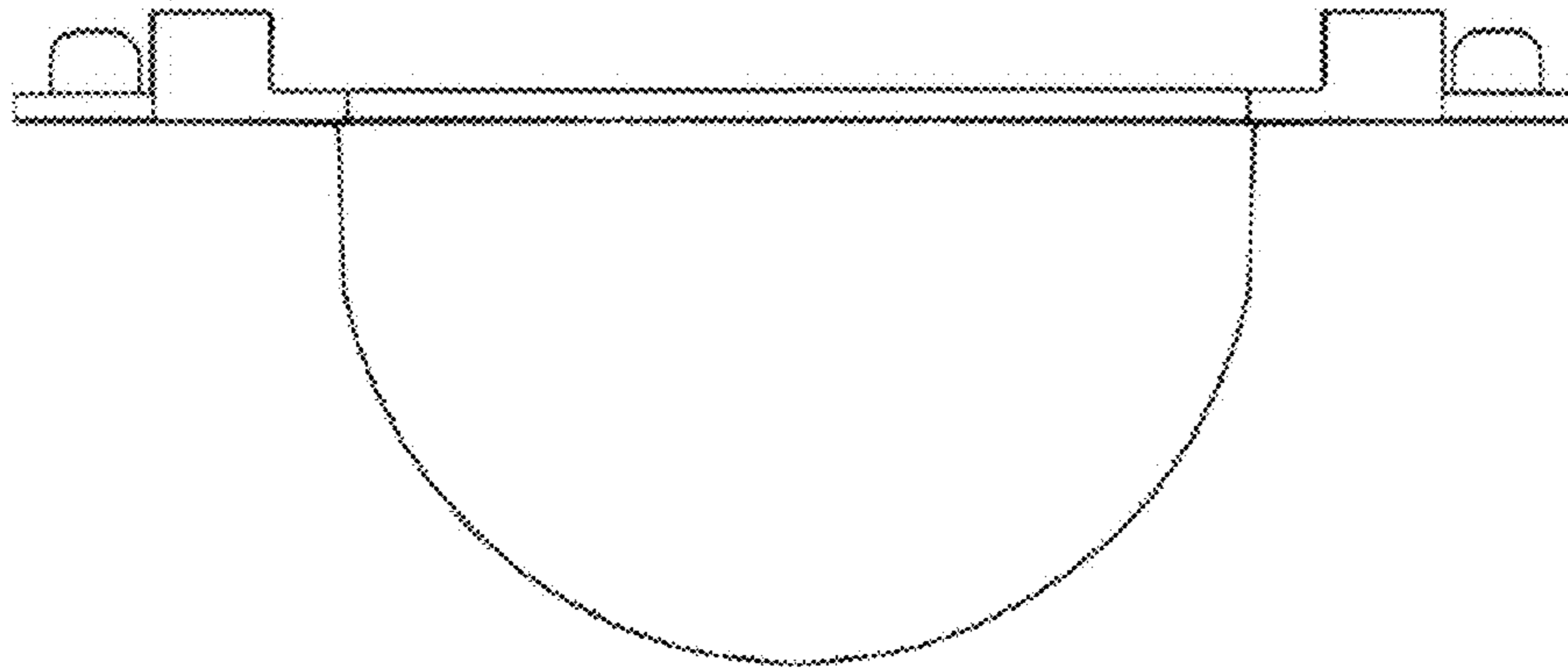


FIG. 7

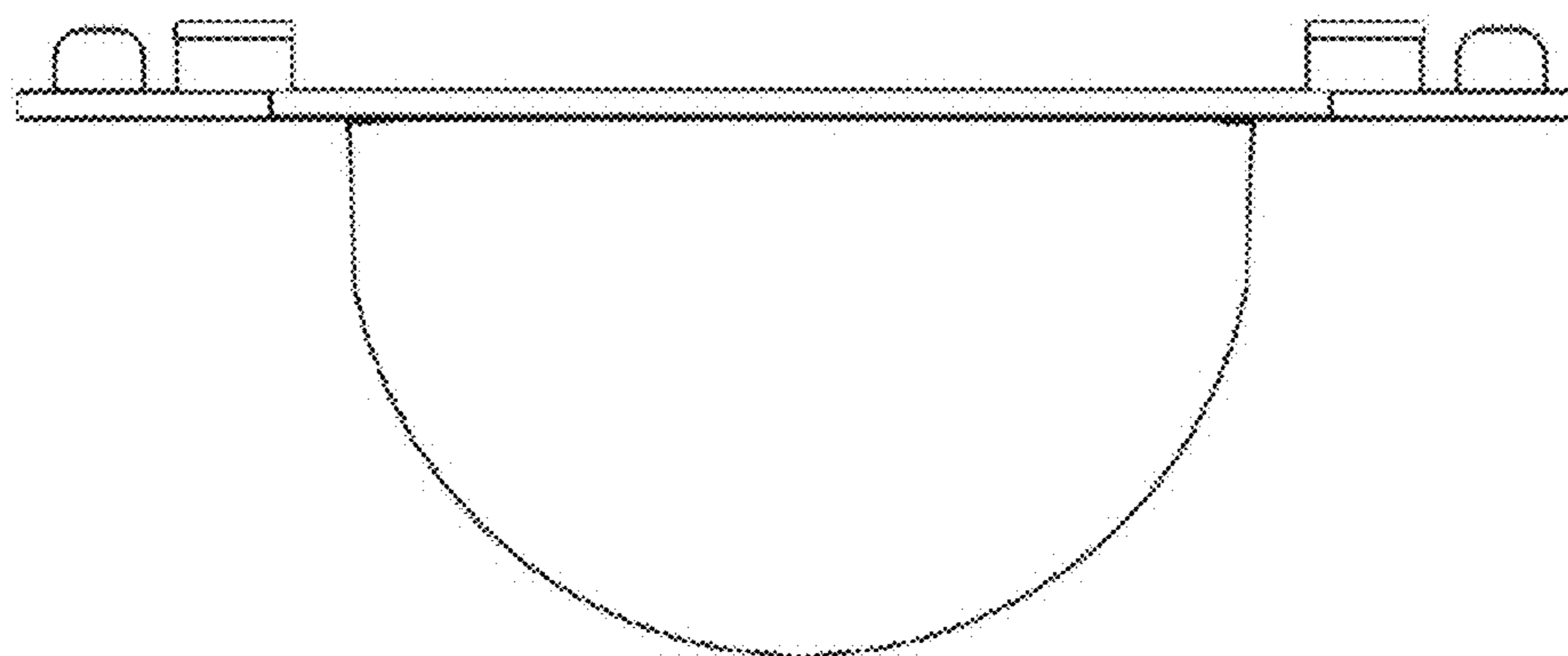


FIG. 8

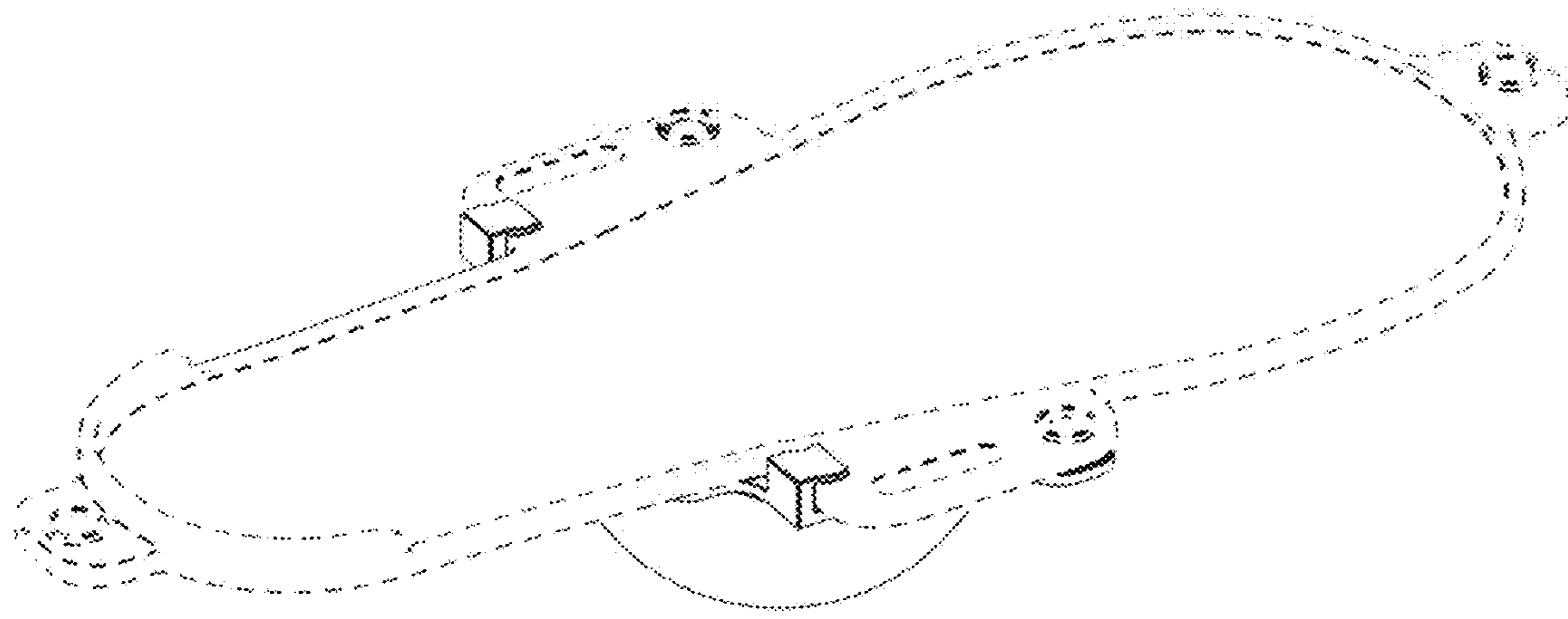


FIG. 9

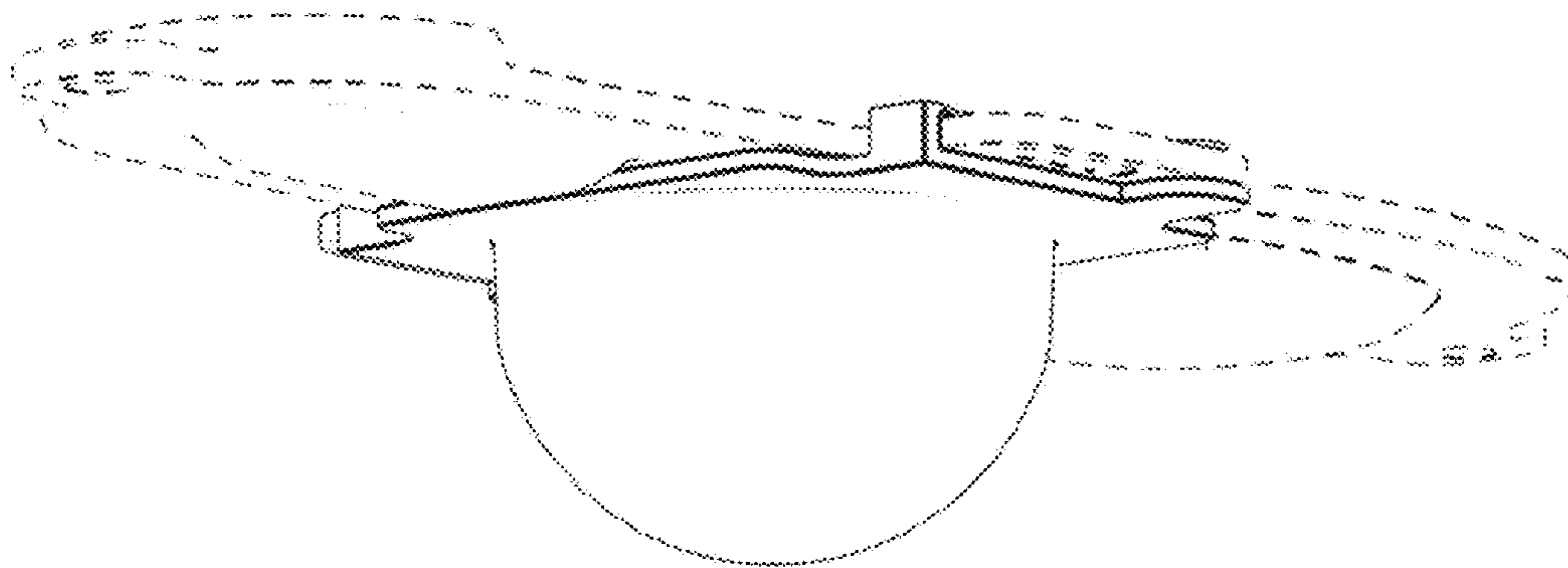


FIG. 10