



US00D841819S

(12) **United States Design Patent** (10) **Patent No.:** **US D841,819 S**  
**Clark et al.** (45) **Date of Patent:** **\*\* Feb. 26, 2019**

(54) **THERAPEUTIC CUSHION**

(71) Applicant: **Amenity Health, Inc.**, San Diego, CA (US)

(72) Inventors: **Aaron Clark**, San Diego, CA (US);  
**Clint Erickson**, San Diego, CA (US)

(73) Assignee: **Amenity Health, Inc.**, San Diego, CA (US)

(\*\*) Term: **15 Years**

(21) Appl. No.: **29/605,752**

(22) Filed: **May 30, 2017**

(51) **LOC (11) Cl.** ..... **24-02**

(52) **U.S. Cl.**  
USPC ..... **D24/183; D6/601**

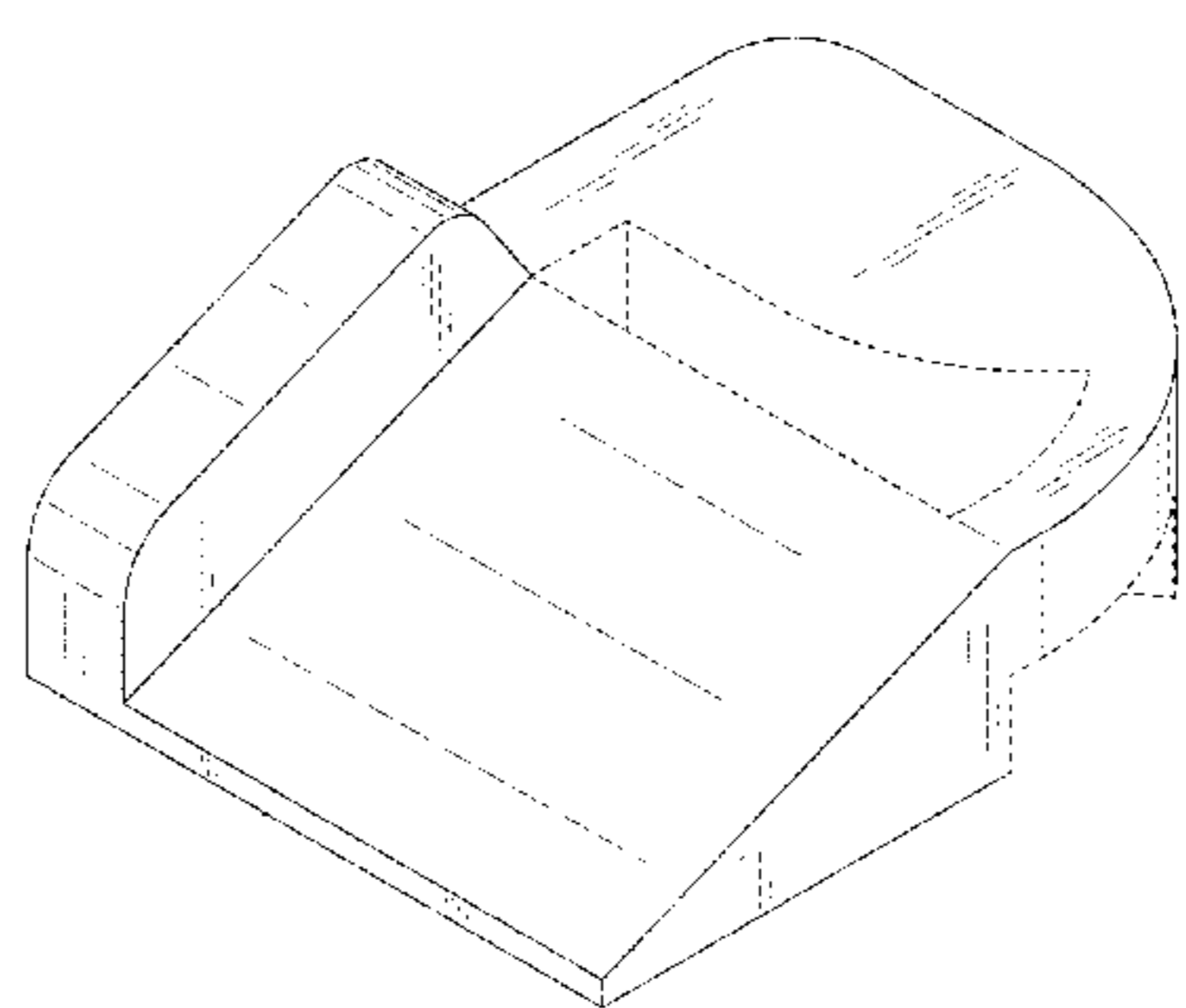
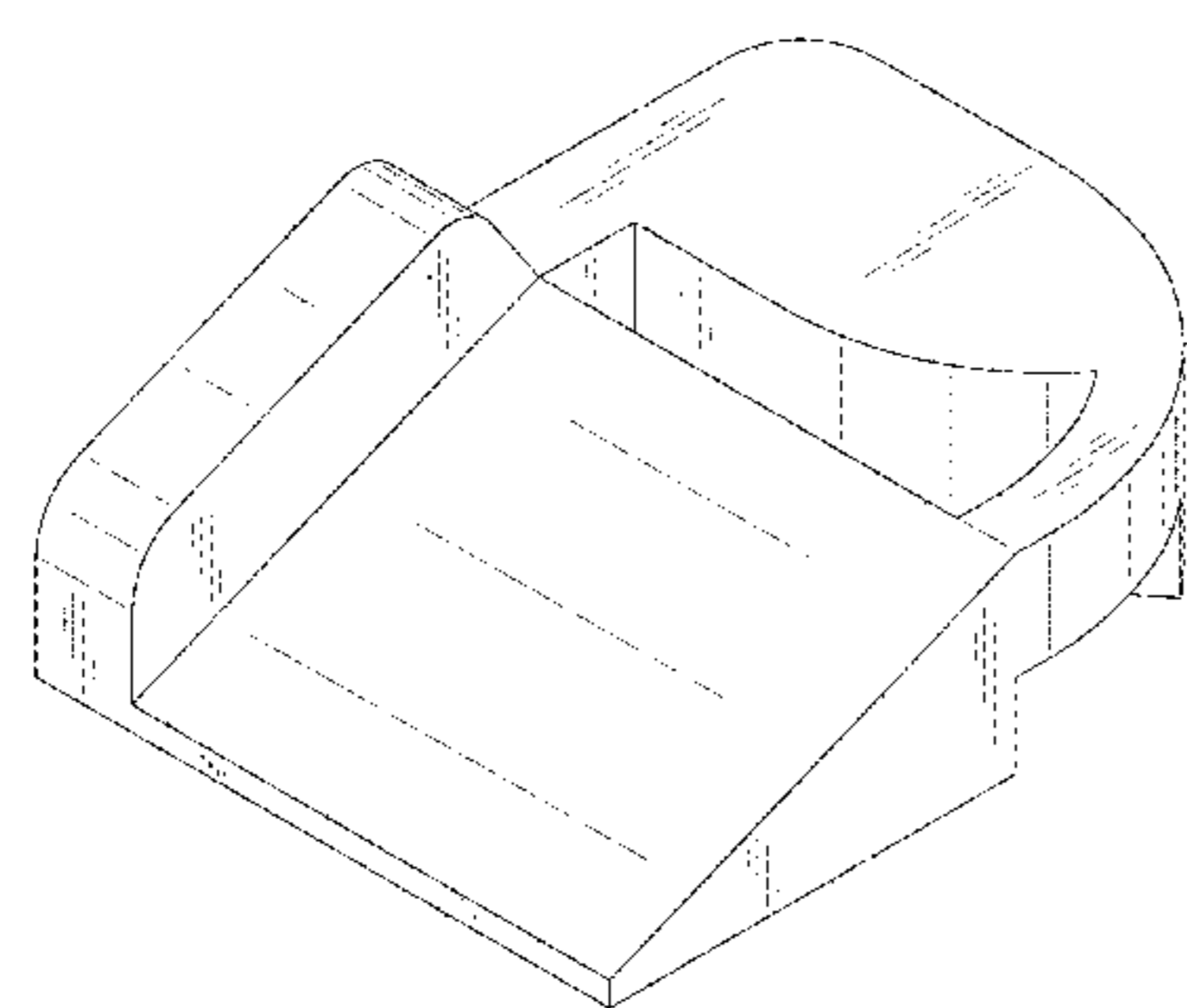
(58) **Field of Classification Search**  
USPC ..... D24/183, 184, 190, 191, 192;  
D29/101.3, 120.1, 121.1, 121.2, 122;  
D6/382, 383, 384, 406.1–406.6, 596, 601,  
D6/604, 610, 611, 716.2, 716.4, 716.6,  
D6/718, 718.3; D2/720, 826, 860, 861  
CPC ..... A61G 1/003–1/013; A61G 1/04–1/052;  
A61G 7/1036; A61G 7/1053–7/1057;  
A61G 13/00; A47C 20/021–20/027; A47C  
7/18; A47C 7/50  
See application file for complete search history.

4,173,048 A 11/1979 Varaney  
4,214,326 A 7/1980 Spann  
4,359,045 A 11/1982 Cozzi  
4,393,530 A 7/1983 Stark  
D271,647 S \* 12/1983 McLeod ..... D6/596  
D295,248 S \* 4/1988 Sommerfield ..... D6/601  
4,802,249 A 2/1989 Bills  
D301,166 S \* 5/1989 Miklja ..... D24/183  
4,853,993 A 8/1989 Walpin et al.  
4,901,384 A 2/1990 Eary  
4,907,306 A 3/1990 Nakaji  
D309,542 S \* 7/1990 Glenn ..... 5/652  
4,987,625 A 1/1991 Edelson  
5,035,015 A 7/1991 Maietta  
D319,365 S \* 8/1991 Edelson ..... D6/596  
5,097,551 A 3/1992 Smith  
5,153,960 A 10/1992 Ritter et al.  
5,231,717 A 8/1993 Scott et al.  
5,412,824 A 5/1995 Emerson et al.  
5,423,099 A 6/1995 Gulli  
5,440,770 A 8/1995 Nichols  
5,479,667 A \* 1/1996 Nelson ..... A47C 20/027  
5/632  
5,509,153 A 4/1996 Roschacher  
5,561,879 A 10/1996 Everall  
5,632,050 A 5/1997 Zajas et al.  
5,652,981 A \* 8/1997 Singer-Leyton ..... A47C 20/025  
5/631  
D385,143 S 10/1997 Straub  
5,697,112 A 12/1997 Colavito et al.  
D390,665 S \* 2/1998 Kennemore ..... D24/183  
5,713,091 A 2/1998 Houchin  
5,800,368 A 9/1998 Klingemann  
5,815,863 A 10/1998 Dolisi  
5,890,765 A 4/1999 LaPointe et al.  
5,893,183 A 4/1999 Bechtold, Jr.  
D416,428 S \* 11/1999 Jackson ..... 5/644  
5,987,674 A 11/1999 Schaffner et al.  
6,052,848 A 4/2000 Kelly  
6,105,187 A 8/2000 Gnjatovic  
6,175,979 B1 1/2001 Jackson  
D441,587 S \* 5/2001 Cameron ..... D6/601  
6,226,817 B1 5/2001 Rubio  
6,230,350 B1 \* 5/2001 Goldstein ..... A47C 20/026  
5/636  
D446,676 S \* 8/2001 Mayes ..... D6/601  
6,270,155 B1 8/2001 Rashid  
6,276,012 B2 8/2001 Borders  
D447,805 S \* 9/2001 Siegal ..... D24/183  
D448,227 S 9/2001 Straub  
6,292,964 B1 9/2001 Rose et al.  
6,321,403 B1 11/2001 Matthews

(56) **References Cited**

U.S. PATENT DOCUMENTS

254,759 A 3/1882 Young  
2,149,140 A 2/1939 Gonzalez-Rincones  
2,182,861 A 12/1939 Albert  
2,295,906 A 9/1942 Lacour  
2,522,120 A 9/1950 Kaskey et al.  
2,550,293 A 4/1951 Platis  
3,315,282 A 4/1967 Lowery et al.  
3,333,286 A 8/1967 Biolik  
D222,005 S \* 9/1971 Kelly ..... D6/716.2  
3,926,181 A 12/1975 Eischen, Sr.  
3,938,205 A 2/1976 Spann  
4,118,813 A 10/1978 Armstrong



6,324,710	B1 *	12/2001	Hernandez .....	A47C 20/026	
				5/630	
6,334,442	B1	1/2002	Altamura		
D453,653	S	2/2002	Tunnell		
6,446,288	B1	9/2002	Pi		
6,499,164	B1	12/2002	Leach		
6,553,995	B1	4/2003	Cole et al.		
6,622,727	B2	9/2003	Perry		
6,634,045	B1 *	10/2003	DuDonis .....	A47C 20/021	
				5/632	
6,757,925	B1	7/2004	Toomer		
6,817,049	B1	11/2004	Hall		
6,898,812	B2	5/2005	Smart		
6,913,019	B2	7/2005	Johns et al.		
6,922,861	B1	8/2005	Mathis		
6,925,670	B2	8/2005	Torrez		
6,954,953	B2 *	10/2005	Bordan .....	A47C 20/021	
				128/882	
7,020,918	B1	4/2006	Tinsley		
7,134,158	B2	11/2006	Tokarz		
7,201,757	B2	4/2007	Knudson et al.		
7,322,061	B2	1/2008	Carroll		
7,328,471	B1	2/2008	Stohr		
7,353,552	B2	4/2008	Leach		
7,404,222	B2	7/2008	Tidwell		
7,415,743	B2	8/2008	Rubio		
7,536,741	B1	5/2009	Schultz		
7,546,651	B2	6/2009	Groteke et al.		
7,578,013	B2	8/2009	Aikman		
7,607,185	B1	10/2009	Minson		
7,669,926	B2	3/2010	Balensiefer		
7,698,766	B2	4/2010	Schultz		
7,793,371	B1	9/2010	Leach		
D635,265	S *	3/2011	Coffey .....	D24/183	
7,908,691	B2 *	3/2011	Small .....	A47C 20/027	
				5/630	
D642,278	S *	7/2011	Sharps .....	D24/184	
8,069,515	B1	12/2011	Tingey		
8,074,310	B1	12/2011	Robbins		
8,118,268	B2	2/2012	Mabry		
D655,559	S *	3/2012	Cheng .....	D6/601	
8,136,186	B1	3/2012	Leach		
8,205,285	B1	6/2012	Klingemann		
8,220,091	B2	7/2012	Schultz		
D665,503	S *	8/2012	Dennewald .....	D24/183	
8,234,735	B2	8/2012	Schultz		
8,261,386	B2 *	9/2012	Kardos .....	A47C 7/425	
				297/452.32	
8,291,534	B2	10/2012	Karlson		
8,646,134	B1	2/2014	Alletto, Jr.		
8,661,586	B2	3/2014	Melcher et al.		
8,695,134	B2	4/2014	Schultz		
8,745,793	B2	6/2014	Bensoussan		
D708,752	S *	7/2014	Oberst .....	D24/190	
D715,579	S *	10/2014	Scarlett .....	D6/601	
8,887,331	B2	11/2014	Nakamura et al.		
D733,897	S *	7/2015	Rossouw .....	D24/184	
D754,353	S *	4/2016	Pileski .....	D24/183	
9,386,859	B2	7/2016	Schultz		
9,427,366	B2	8/2016	Melcher et al.		
9,510,686	B2	12/2016	Abraham		
D783,834	S *	4/2017	Johnson .....	D24/184	
D785,184	S *	4/2017	Higgins .....	D24/184	
D804,850	S *	12/2017	Acosta De Nicolo .....	D6/601	
9,993,379	B2	6/2018	Melcher et al.		
10,022,285	B2	7/2018	Melcher et al.		
2003/0182727	A1 *	10/2003	DuDonis .....	A47C 20/021	
				5/648	
2003/0217412	A1	11/2003	Johns et al.		
2004/0116195	A1	6/2004	Lee		
2004/0168257	A1	9/2004	Torrez		
2006/0230539	A1	10/2006	Goodman		
2007/0067915	A1	3/2007	Pryor		
2007/0182233	A1	8/2007	Boyko		
2008/0256704	A1	10/2008	Conway		
2009/0126117	A1	5/2009	Lazarus		
2009/0144905	A1	6/2009	Javaruski et al.		
2009/0222991	A1	9/2009	Davis, III		
2009/0222997	A1	9/2009	Schultz		

2010/0122418	A1	5/2010	Adler
2010/0132119	A1	6/2010	Taghikhani
2010/0186171	A1	7/2010	Schultz
2010/0199436	A1	8/2010	Schultz
2010/0229875	A1	9/2010	Davis
2011/0056503	A1	3/2011	Abraham
2011/0296615	A1	12/2011	Tingey
2012/0023669	A1	2/2012	Graller et al.
2012/0272452	A1	11/2012	Schultz
2013/0198962	A1	8/2013	Melcher et al.
2013/0198965	A1	8/2013	Melcher et al.
2014/0331411	A1	11/2014	Schultz
2016/0213175	A1	7/2016	Melcher et al.

FOREIGN PATENT DOCUMENTS

CN	2618511	Y	6/2004
CN	201578261	U	9/2010
CN	102014813	A	4/2011
JP	2005-185739	A	7/2005
JP	3129197	U	2/2007
JP	3132068	U	5/2007
WO	WO 97/05807		2/1997
WO	WO 2013/116658		8/2013
WO	WO 2013/116676		8/2013
WO	WO 2016/022886		2/2016

OTHER PUBLICATIONS

MedCline Acid Reflux System. [online] Retrieved Jun. 7, 2018 from URL: <https://www.amazon.com/MedCline-Acid-Reflux-System-Large/dp/B01CRB7BMO>.\*

Zerlar Memory Cotton Lunch Break Face Down Head Rest Pillow Cushion. [online] Published Dec. 19, 2017. Retrieved Jun. 7, 2018 from URL: [https://www.amazon.com/Zerlar-Memory-Cotton-Cushion-Student/dp/B075JFM9HC/ref=sr\\_1\\_20\\_s\\_it?s=hpc&ie=UTF8&qid=1528377772&sr=1-20&keywords=Medcline&th=1](https://www.amazon.com/Zerlar-Memory-Cotton-Cushion-Student/dp/B075JFM9HC/ref=sr_1_20_s_it?s=hpc&ie=UTF8&qid=1528377772&sr=1-20&keywords=Medcline&th=1).\*

\* cited by examiner

Primary Examiner — Vy N Koenig  
(74) Attorney, Agent, or Firm — Cooley LLP

(57) CLAIM

The ornamental design for a therapeutic cushion, as shown and described.

DESCRIPTION

FIG. 1 is a front perspective view of a therapeutic cushion, according to an embodiment;  
FIG. 2 is a front view of the therapeutic cushion illustrated in FIG. 1;  
FIG. 3 is a rear view of the therapeutic cushion illustrated in FIG. 1;  
FIG. 4 is a left side view of the therapeutic cushion illustrated in FIG. 1;  
FIG. 5 is a right side view of the therapeutic cushion illustrated in FIG. 1;  
FIG. 6 is a top view of the therapeutic cushion illustrated in FIG. 1;  
FIG. 7 is a bottom side view of the therapeutic cushion illustrated in FIG. 1;  
FIG. 8 is a front perspective view of a therapeutic cushion, according to another embodiment;  
FIG. 9 is a front view of the therapeutic cushion illustrated in FIG. 8;  
FIG. 10 is a rear view of the therapeutic cushion illustrated in FIG. 8;

FIG. 11 is a left side view of the therapeutic cushion illustrated in FIG. 8;  
FIG. 12 is a right side view of the therapeutic cushion illustrated in FIG. 8;  
FIG. 13 is a top view of the therapeutic cushion illustrated in FIG. 8;  
FIG. 14 is a bottom view of the therapeutic cushion illustrated in FIG. 8;  
FIG. 15 is a front perspective view of a therapeutic cushion, according to another embodiment;  
FIG. 16 is a front view of the therapeutic cushion illustrated in FIG. 15;  
FIG. 17 is a rear view of the therapeutic cushion illustrated in FIG. 15;  
FIG. 18 is a left side view of the therapeutic cushion illustrated in FIG. 15;  
FIG. 19 is a right side view of the therapeutic cushion illustrated in FIG. 15;  
FIG. 20 is a top view of the therapeutic cushion illustrated in FIG. 15;  
FIG. 21 is a bottom view of the therapeutic cushion illustrated in FIG. 15;  
FIG. 22 is a front perspective view of a therapeutic cushion, according to another embodiment;  
FIG. 23 is a front view of the therapeutic cushion illustrated in FIG. 22;  
FIG. 24 is a rear view of the therapeutic cushion illustrated in FIG. 22;  
FIG. 25 is a left side view of the therapeutic cushion illustrated in FIG. 22;  
FIG. 26 is a right side view of the therapeutic cushion illustrated in FIG. 22;  
FIG. 27 is a top view of the therapeutic cushion illustrated in FIG. 22;  
FIG. 28 is a bottom view of the therapeutic cushion illustrated in FIG. 22;  
FIG. 29 is a front perspective view of a therapeutic cushion, according to another embodiment;  
FIG. 30 is a front view of the therapeutic cushion illustrated in FIG. 29;  
FIG. 31 is a rear view of the therapeutic cushion illustrated in FIG. 29;  
FIG. 32 is a left side view of the therapeutic cushion illustrated in FIG. 29;  
FIG. 33 is a right side view of the therapeutic cushion illustrated in FIG. 29;  
FIG. 34 is a top view of the therapeutic cushion illustrated in FIG. 29;

FIG. 35 is a bottom side view of the therapeutic cushion illustrated in FIG. 29;  
FIG. 36 is a front perspective view of a therapeutic cushion, according to another embodiment;  
FIG. 37 is a front view of the therapeutic cushion illustrated in FIG. 36;  
FIG. 38 is a rear view of the therapeutic cushion illustrated in FIG. 36;  
FIG. 39 is a left side view of the therapeutic cushion illustrated in FIG. 36;  
FIG. 40 is a right side view of the therapeutic cushion illustrated in FIG. 36;  
FIG. 41 is a top view of the therapeutic cushion illustrated in FIG. 36;  
FIG. 42 is a bottom view of the therapeutic cushion illustrated in FIG. 36;  
FIG. 43 is a front perspective view of a therapeutic cushion, according to another embodiment;  
FIG. 44 is a front view of the therapeutic cushion illustrated in FIG. 43;  
FIG. 45 is a rear view of the therapeutic cushion illustrated in FIG. 43;  
FIG. 46 is a left side view of the therapeutic cushion illustrated in FIG. 43;  
FIG. 47 is a right side view of the therapeutic cushion illustrated in FIG. 43;  
FIG. 48 is a top view of the therapeutic cushion illustrated in FIG. 43;  
FIG. 49 is a bottom view of the therapeutic cushion illustrated in FIG. 43;  
FIG. 50 is a front perspective view of a therapeutic cushion, according to another embodiment;  
FIG. 51 is a front view of the therapeutic cushion illustrated in FIG. 50;  
FIG. 52 is a rear view of the therapeutic cushion illustrated in FIG. 50;  
FIG. 53 is a left side view of the therapeutic cushion illustrated in FIG. 50;  
FIG. 54 is a right side view of the therapeutic cushion illustrated in FIG. 50;  
FIG. 55 is a top view of the therapeutic cushion illustrated in FIG. 50; and,  
FIG. 56 is a bottom view of the therapeutic cushion illustrated in FIG. 50.  
The broken lines in the figures show disclaimed portions of the therapeutic cushion system and form no part of the claimed design. The thin solid lines illustrate surface contour and form no part of the claimed design.

**1 Claim, 40 Drawing Sheets**

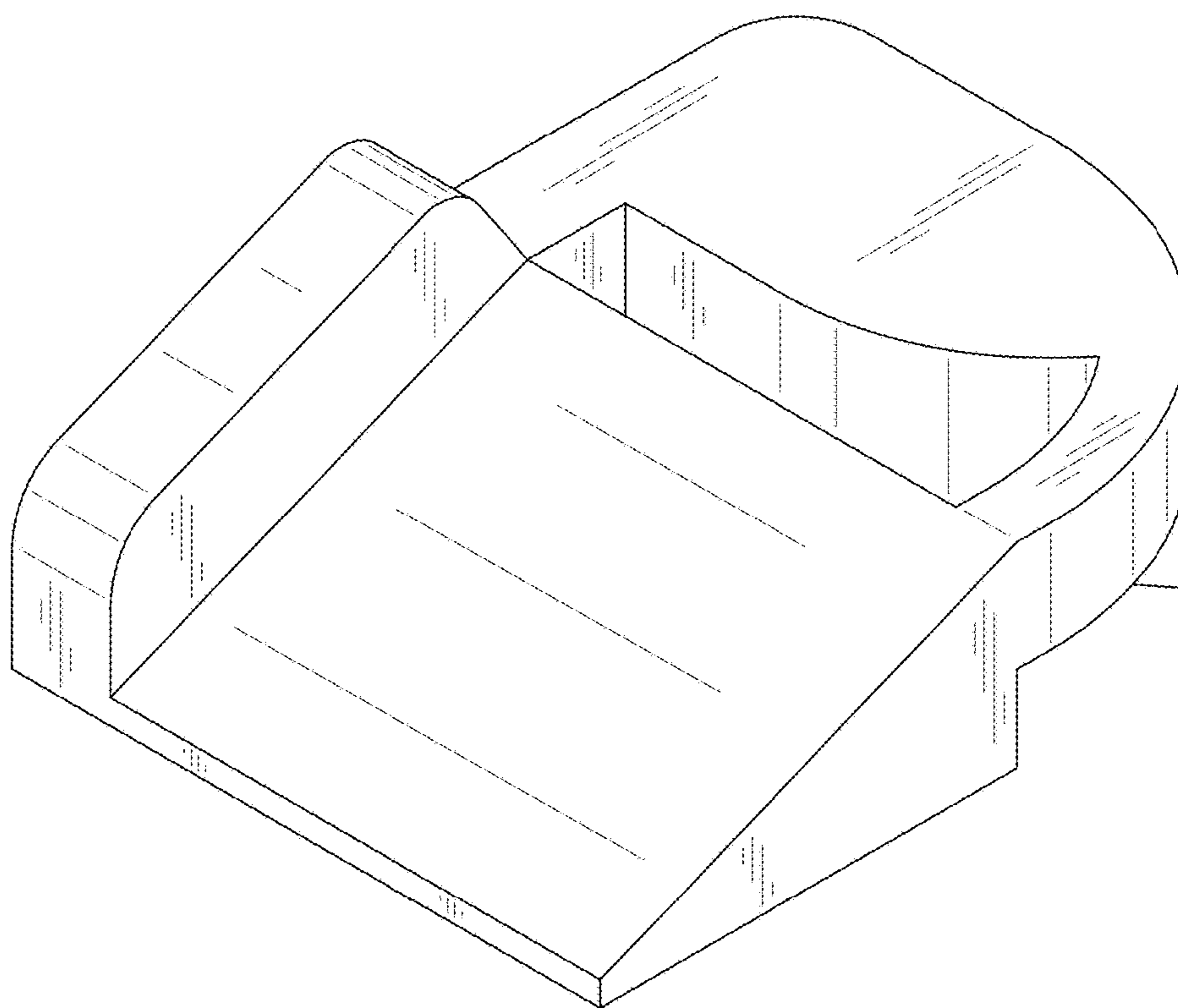


FIG. 1

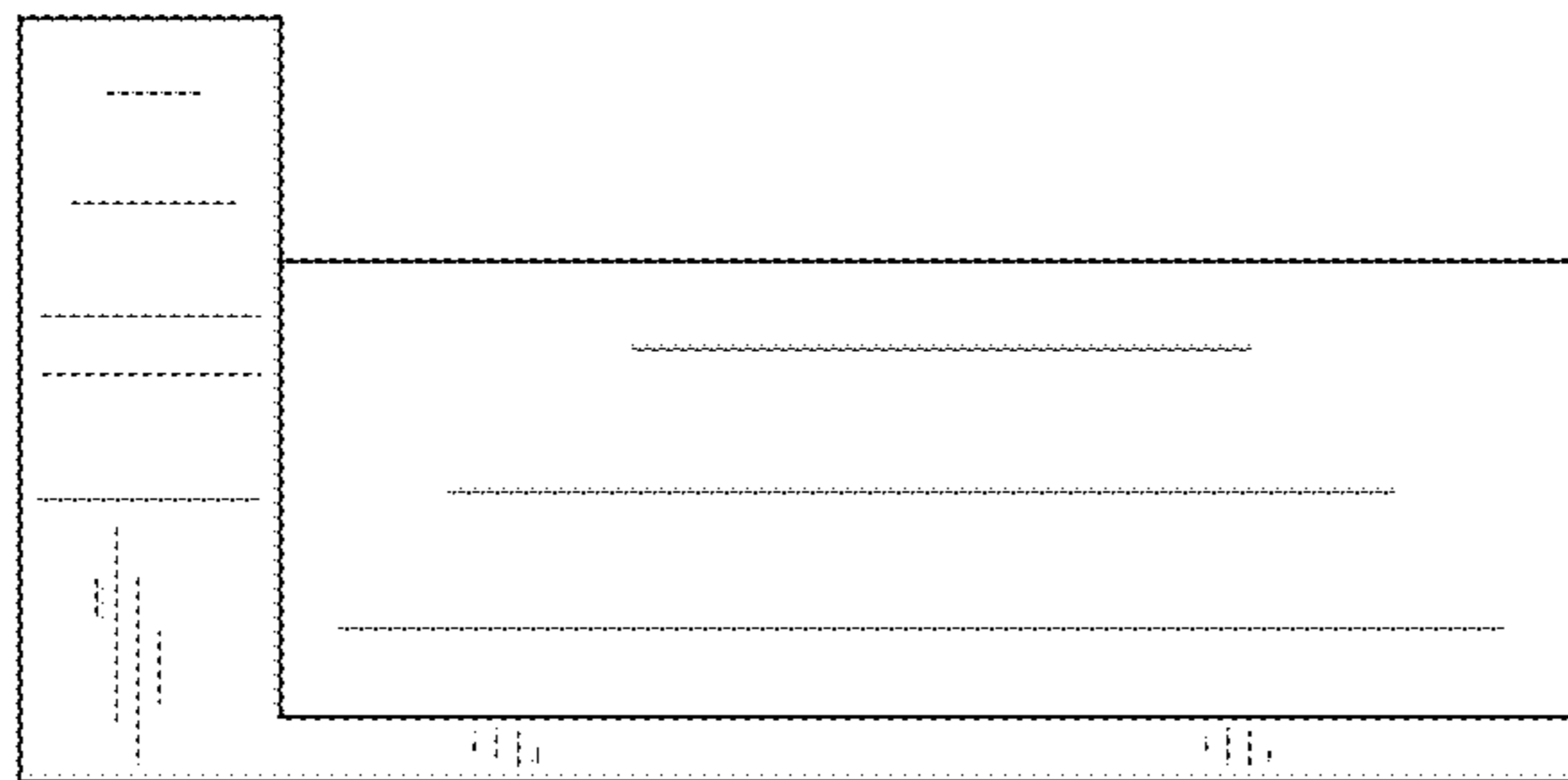


FIG. 2

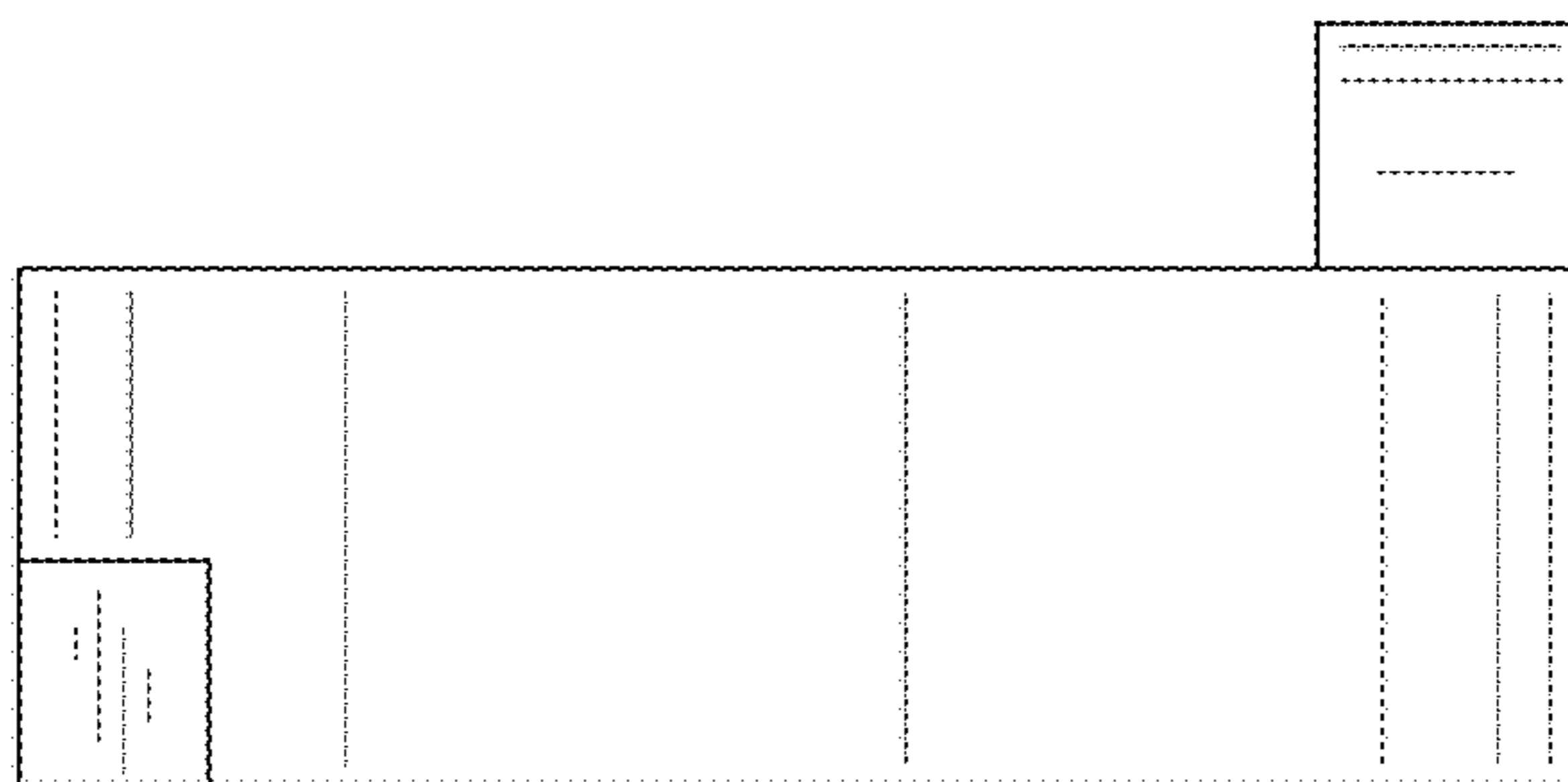


FIG. 3

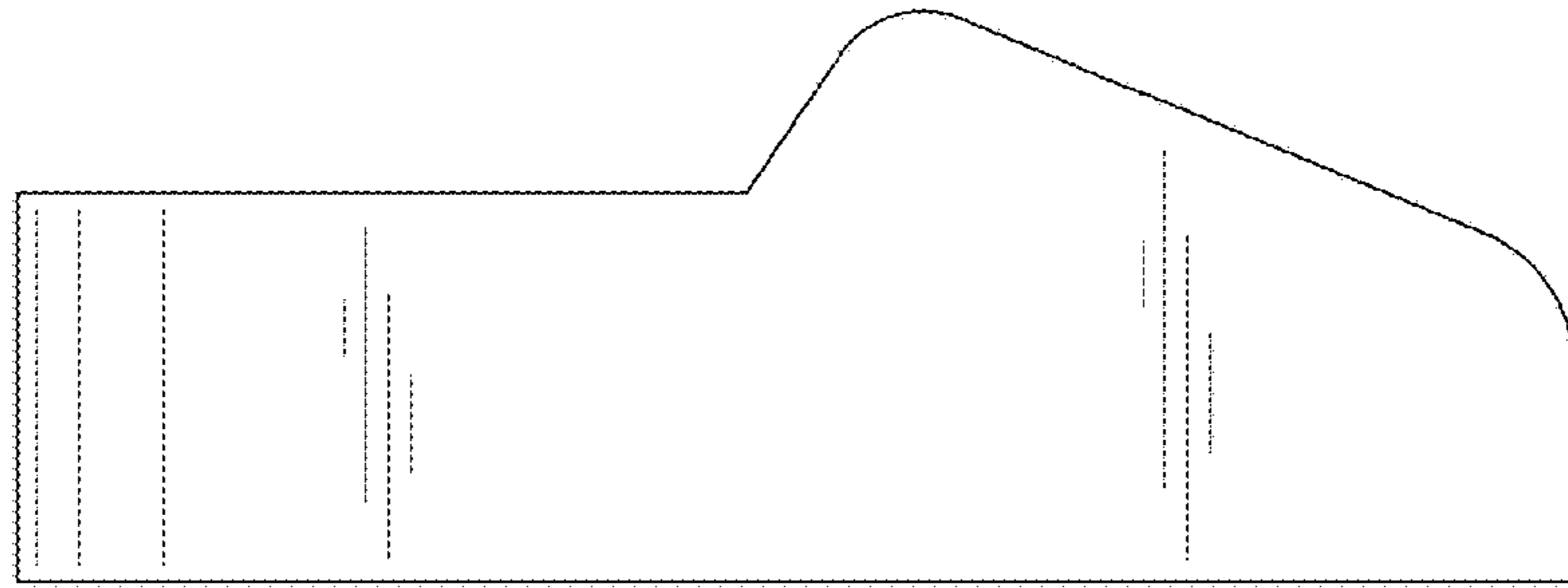


FIG. 4

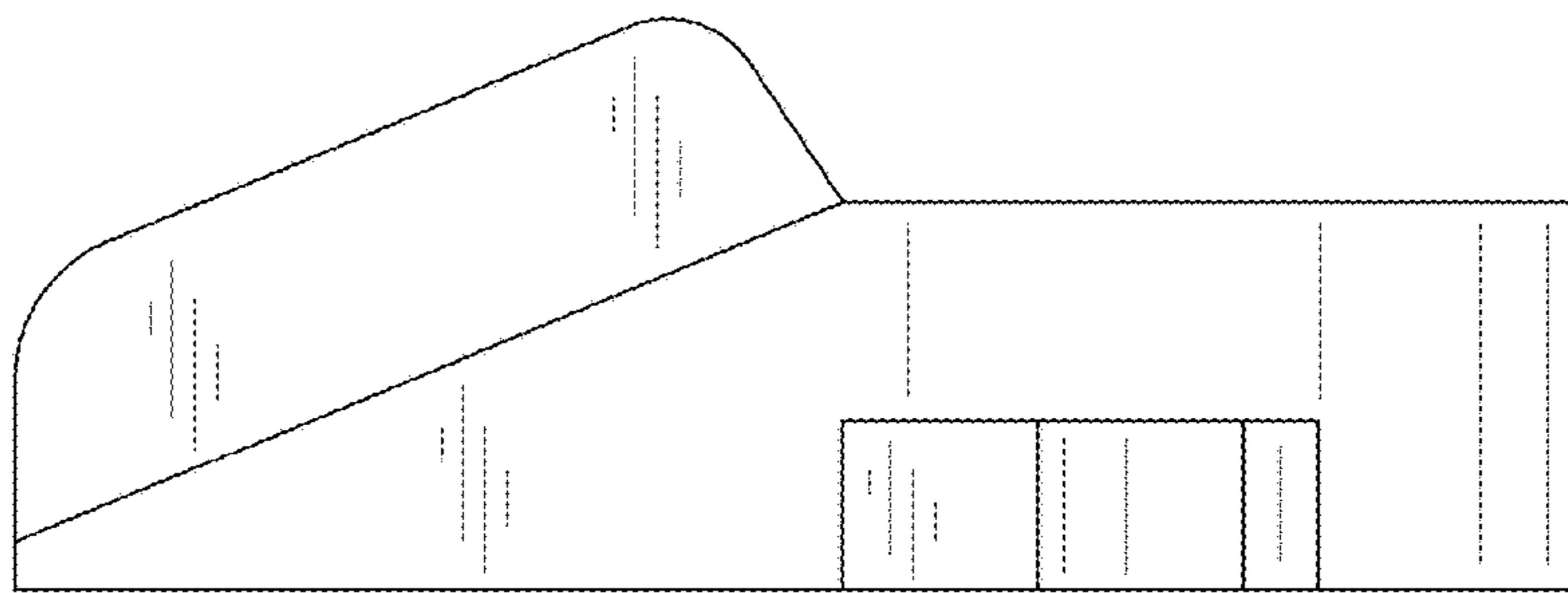


FIG. 5

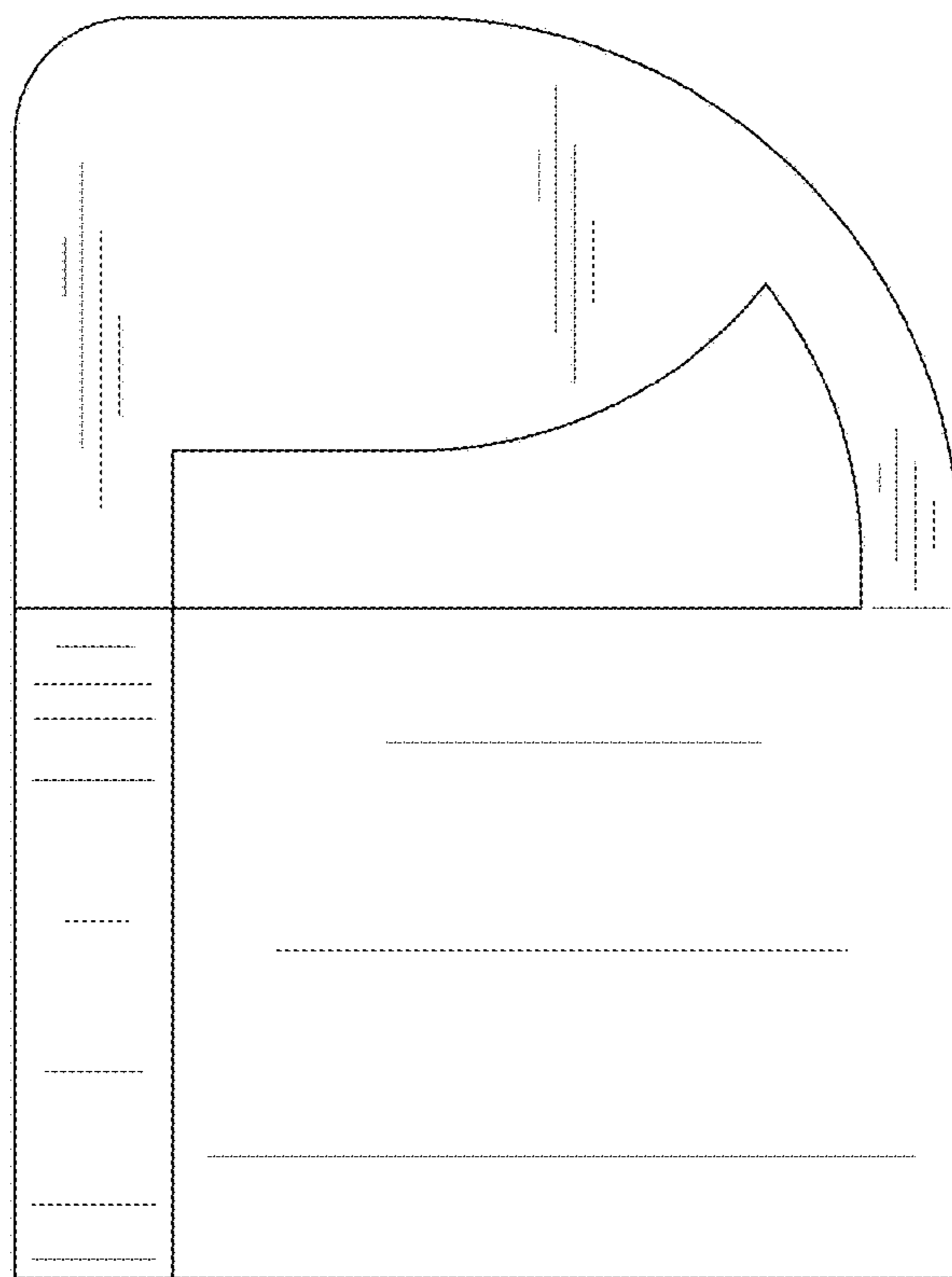


FIG. 6

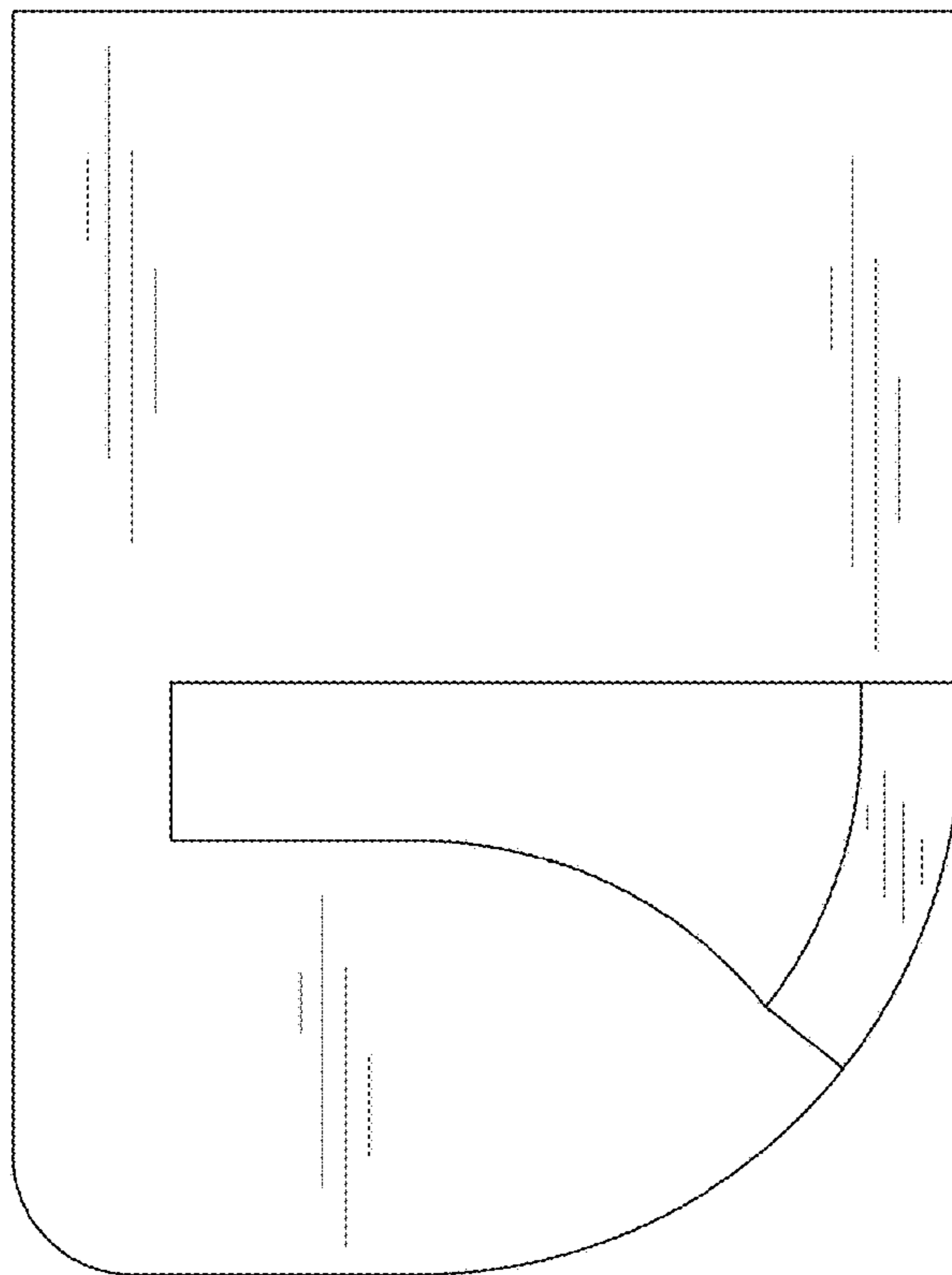


FIG. 7



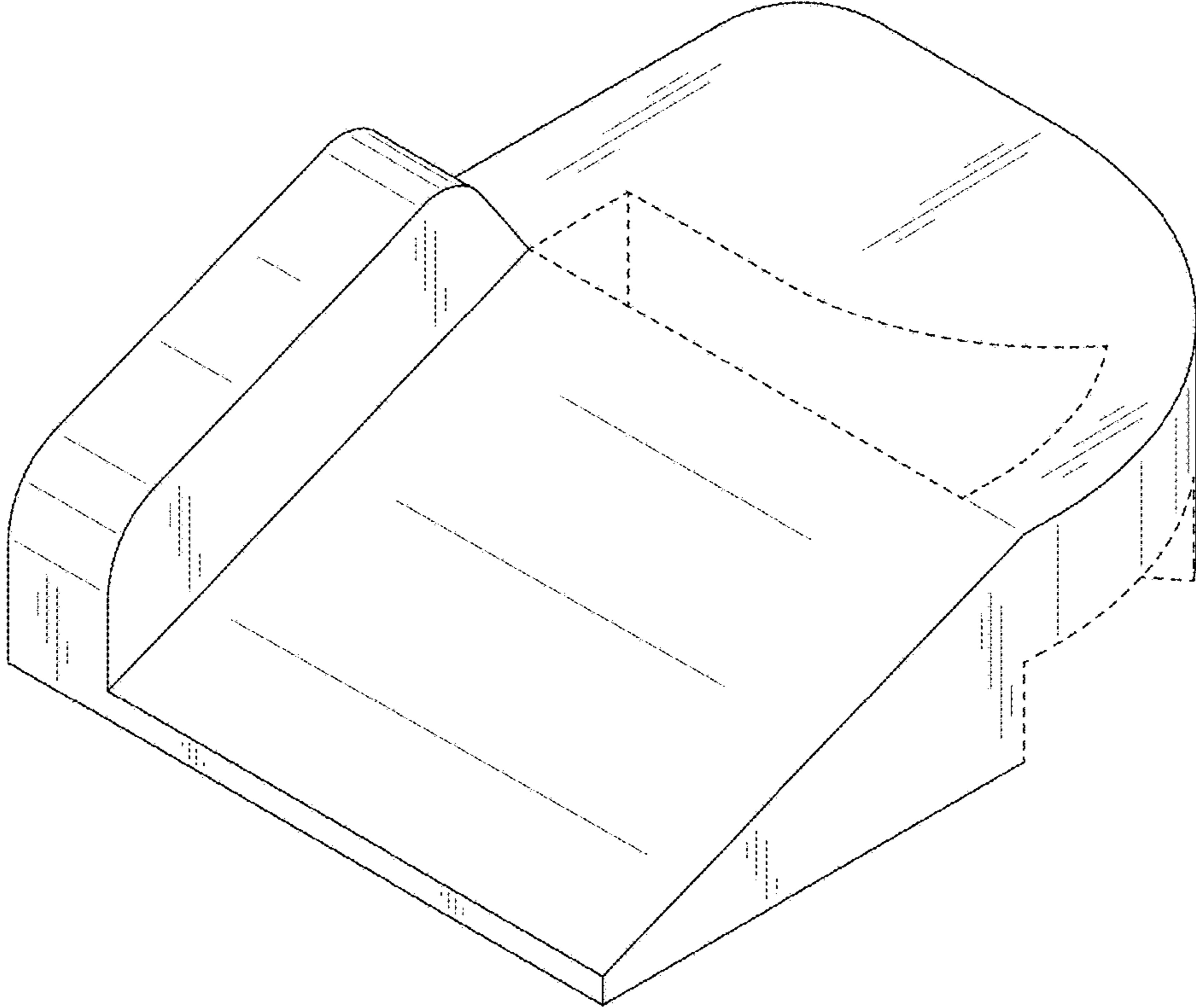


FIG. 8

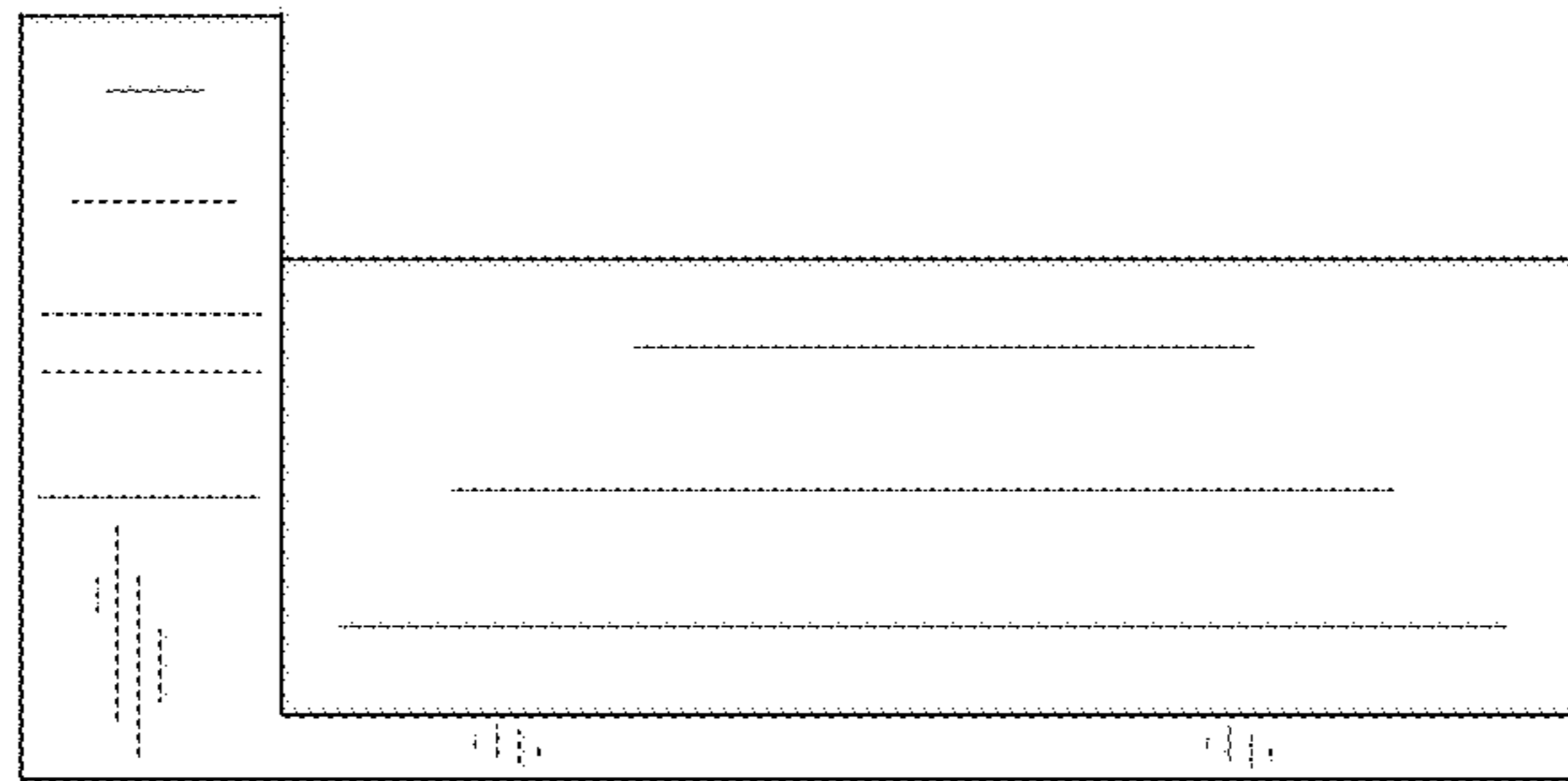


FIG. 9

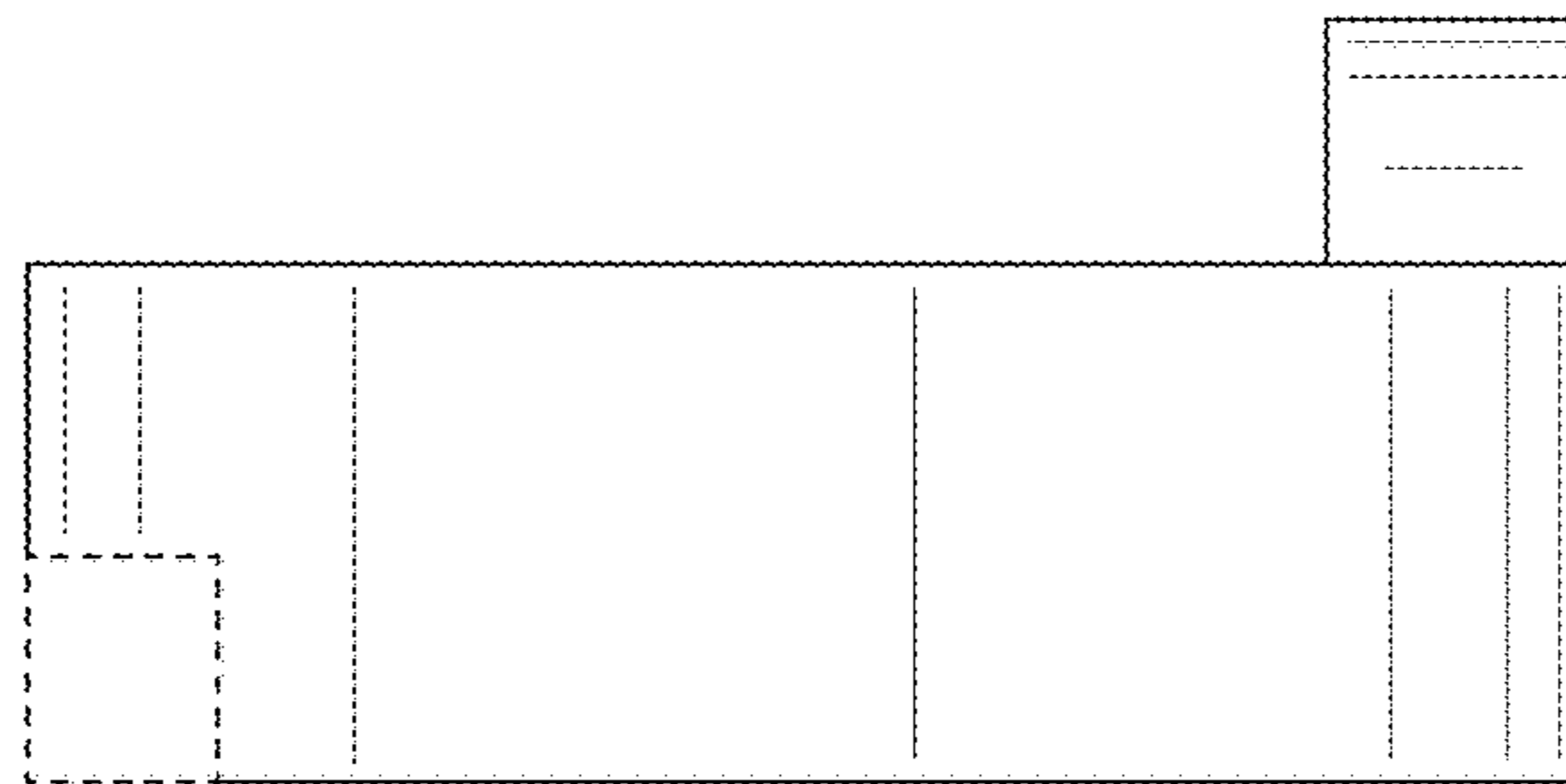


FIG. 10

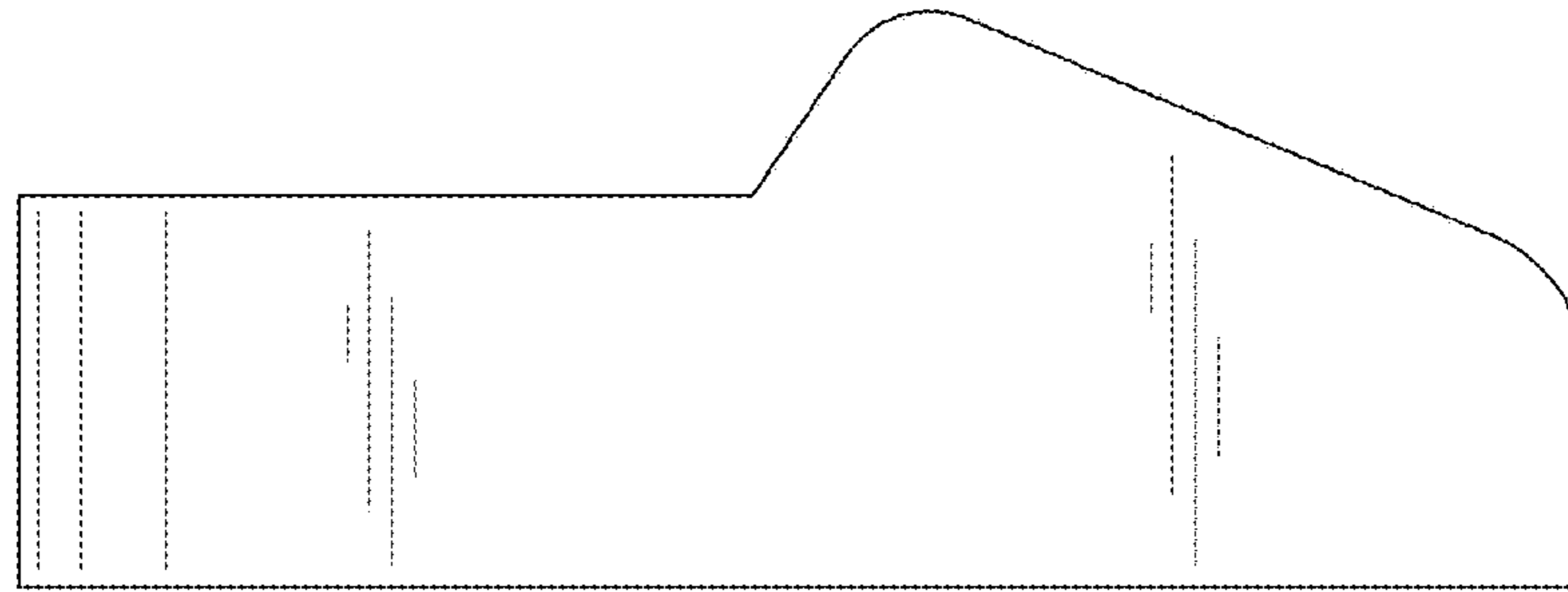


FIG. 11

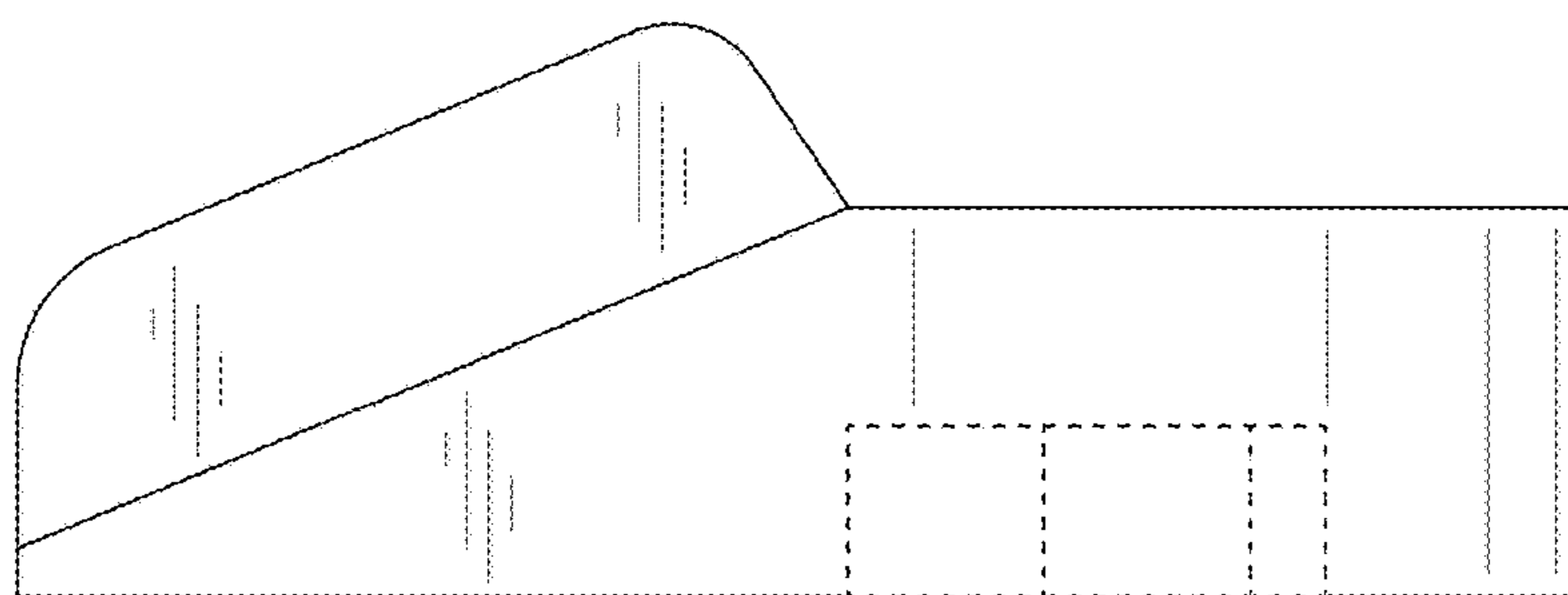


FIG. 12

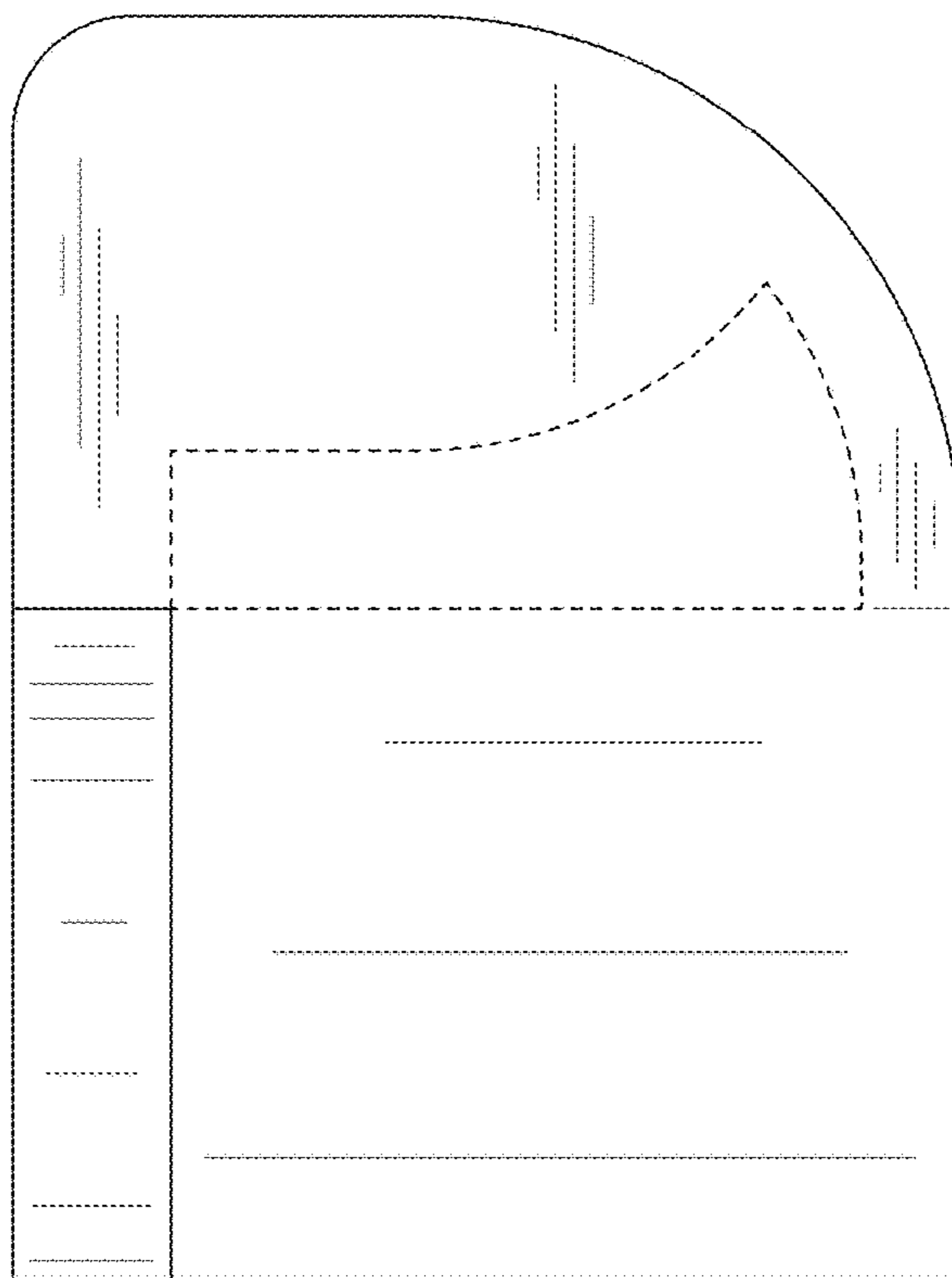


FIG. 13

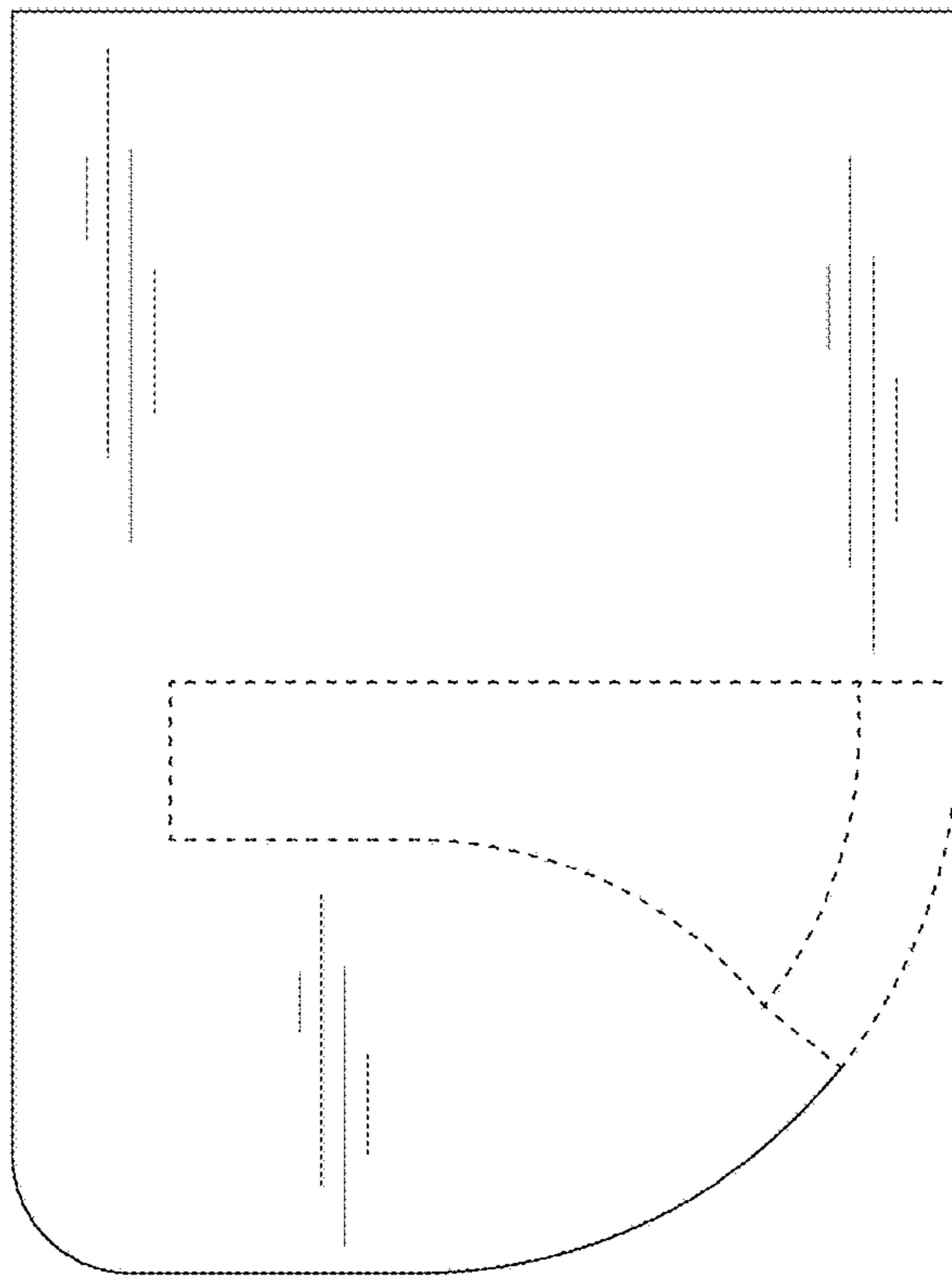


FIG. 14

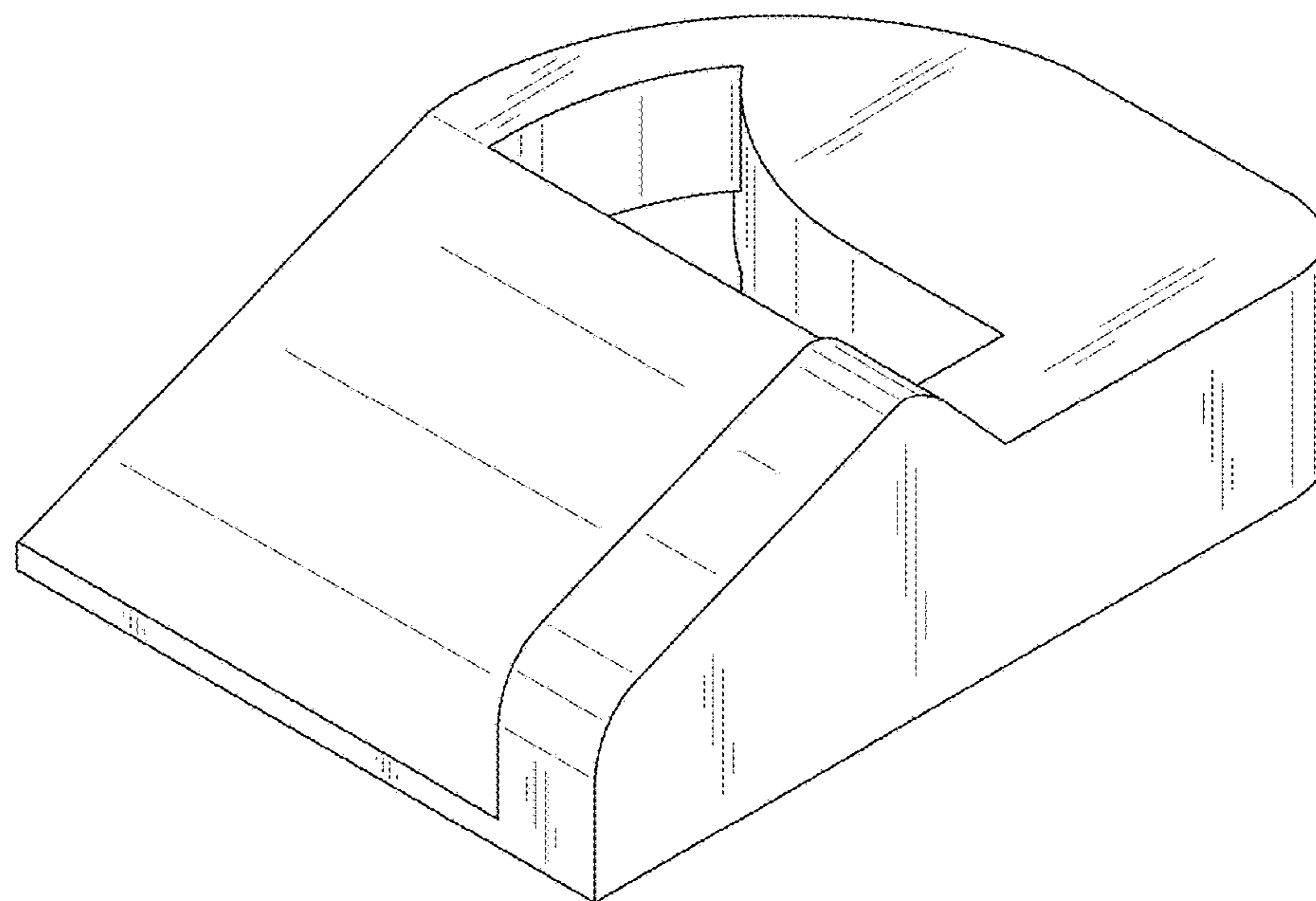


FIG. 15

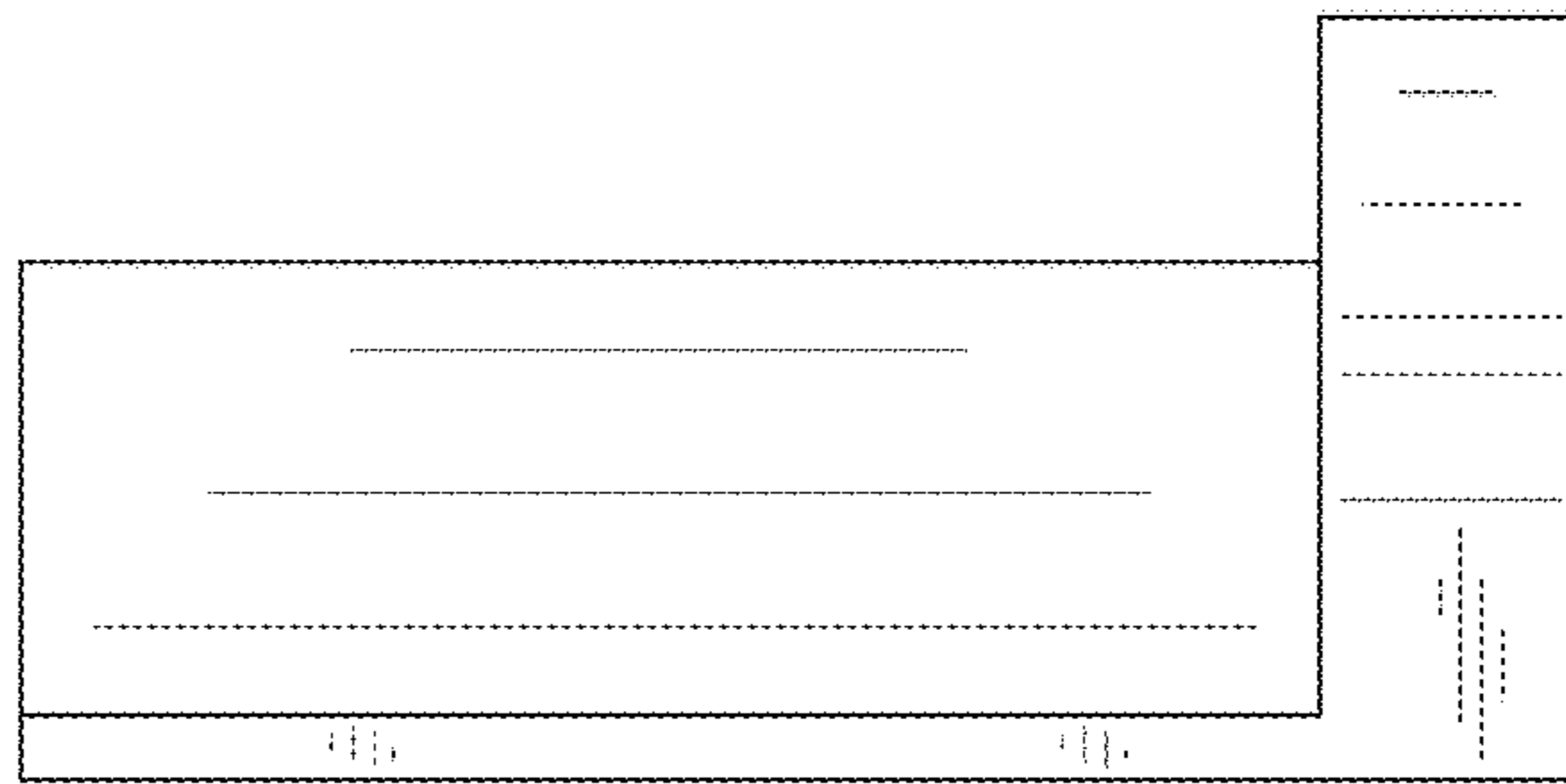


FIG. 16

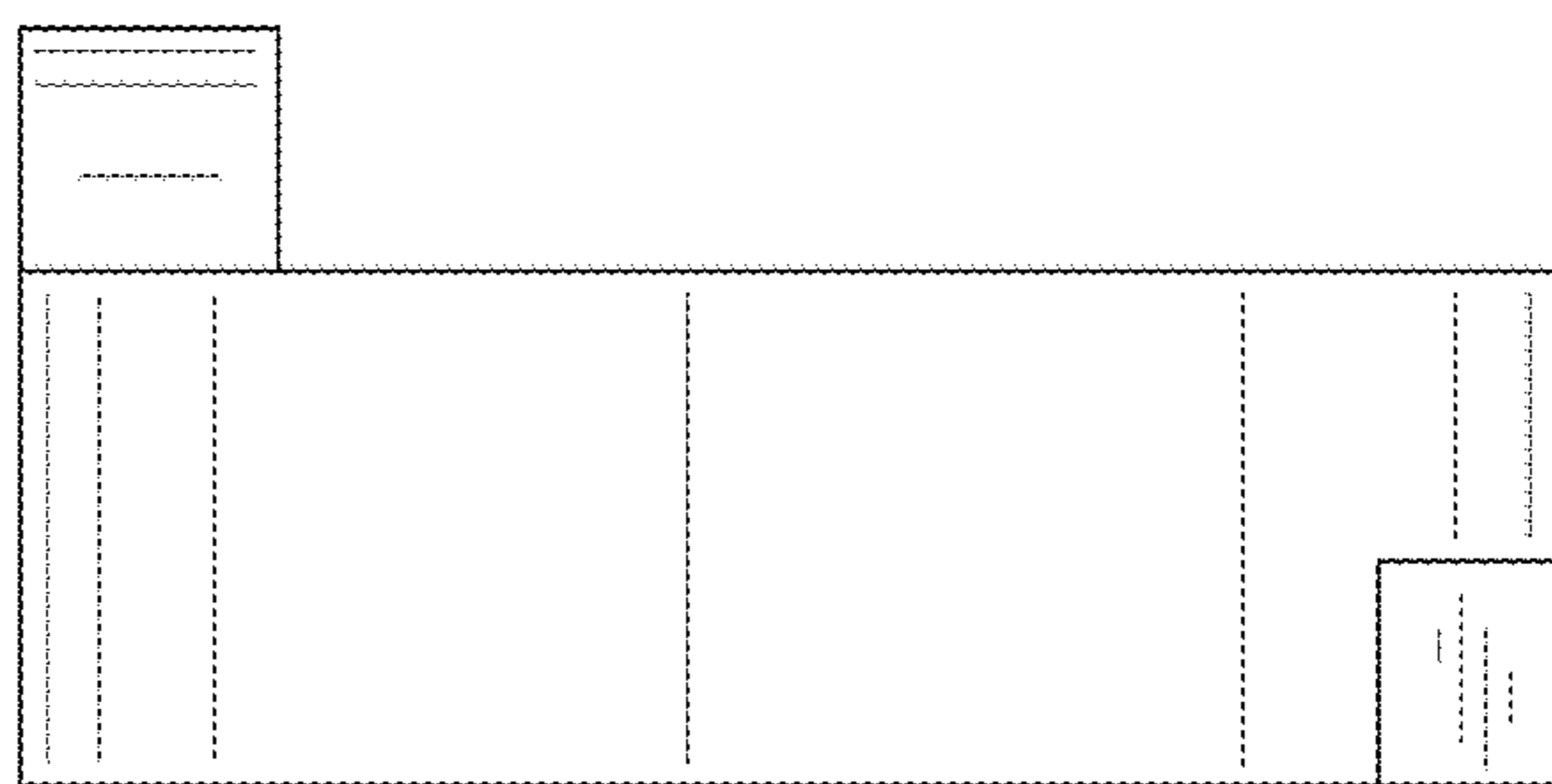


FIG. 17

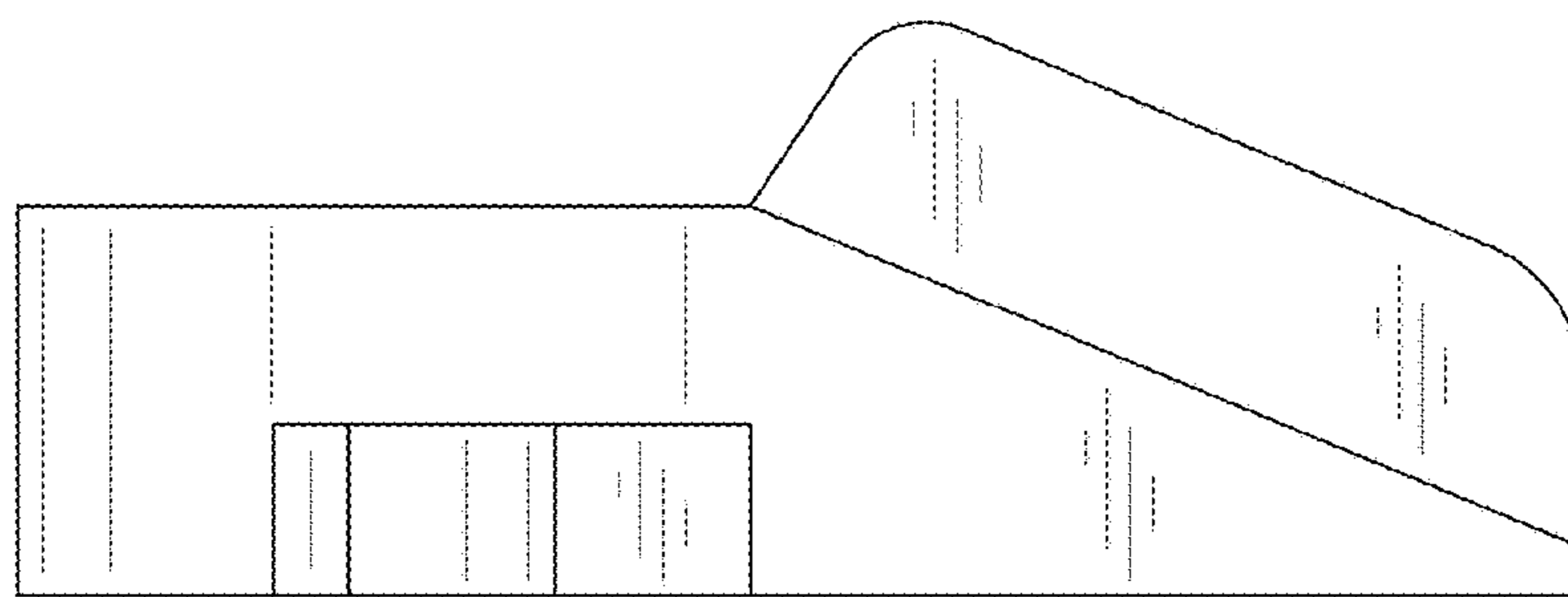


FIG. 18

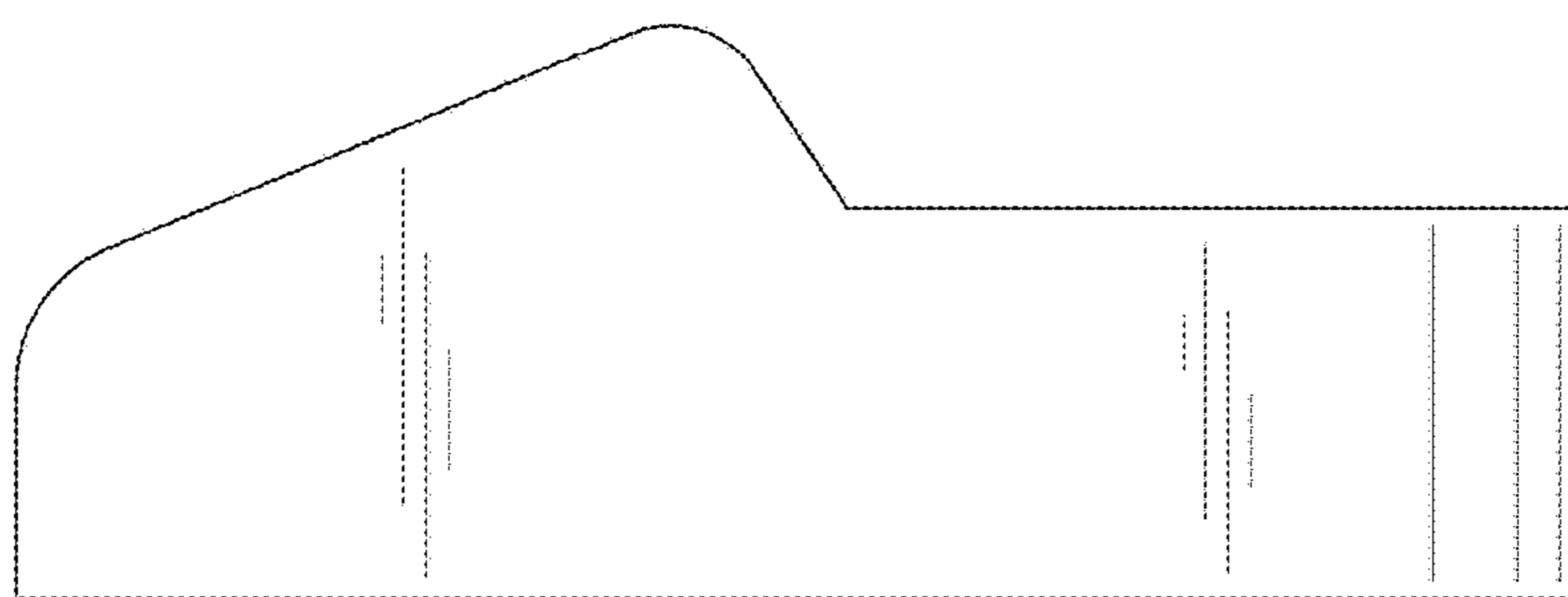


FIG. 19



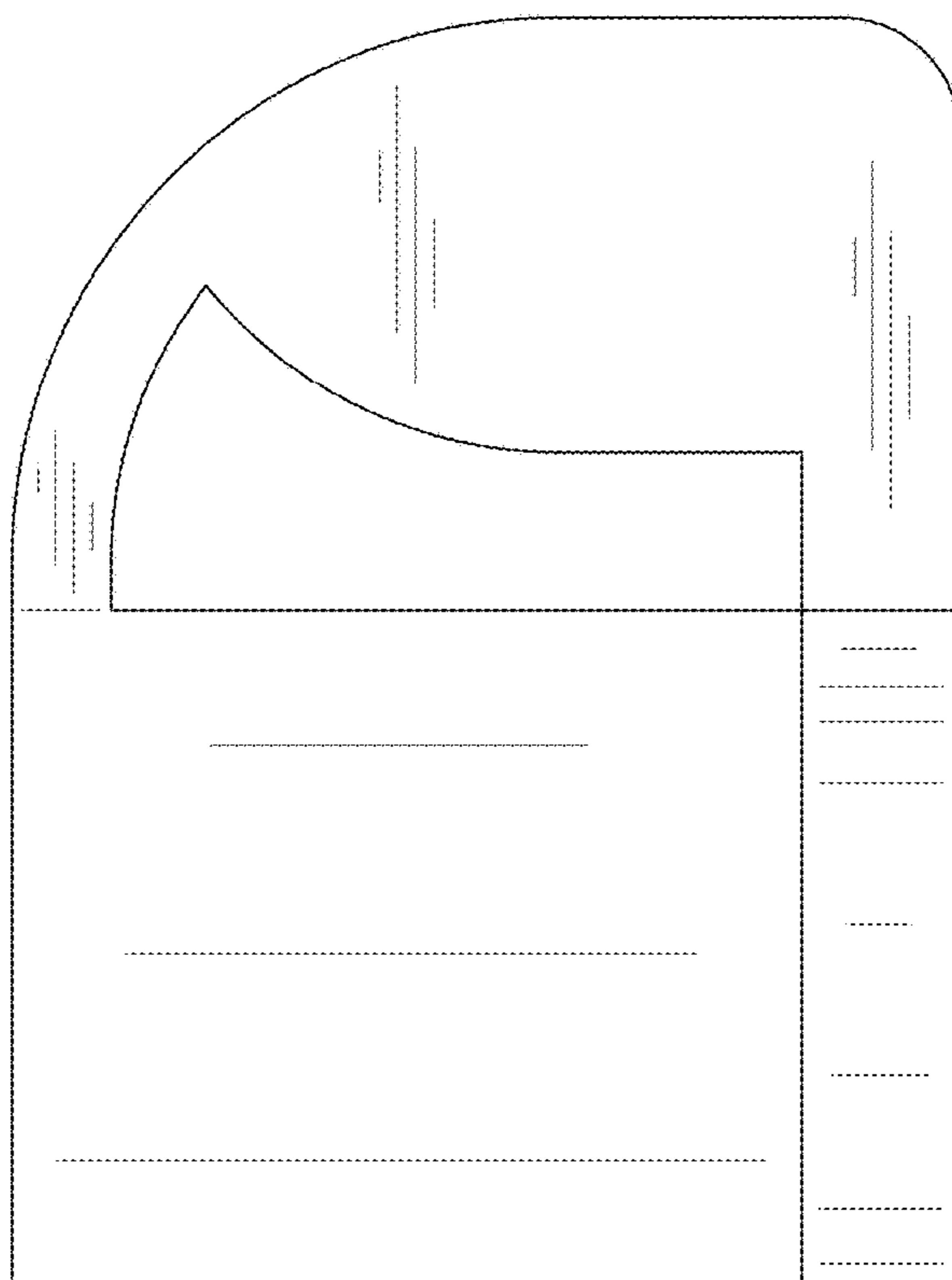


FIG. 20

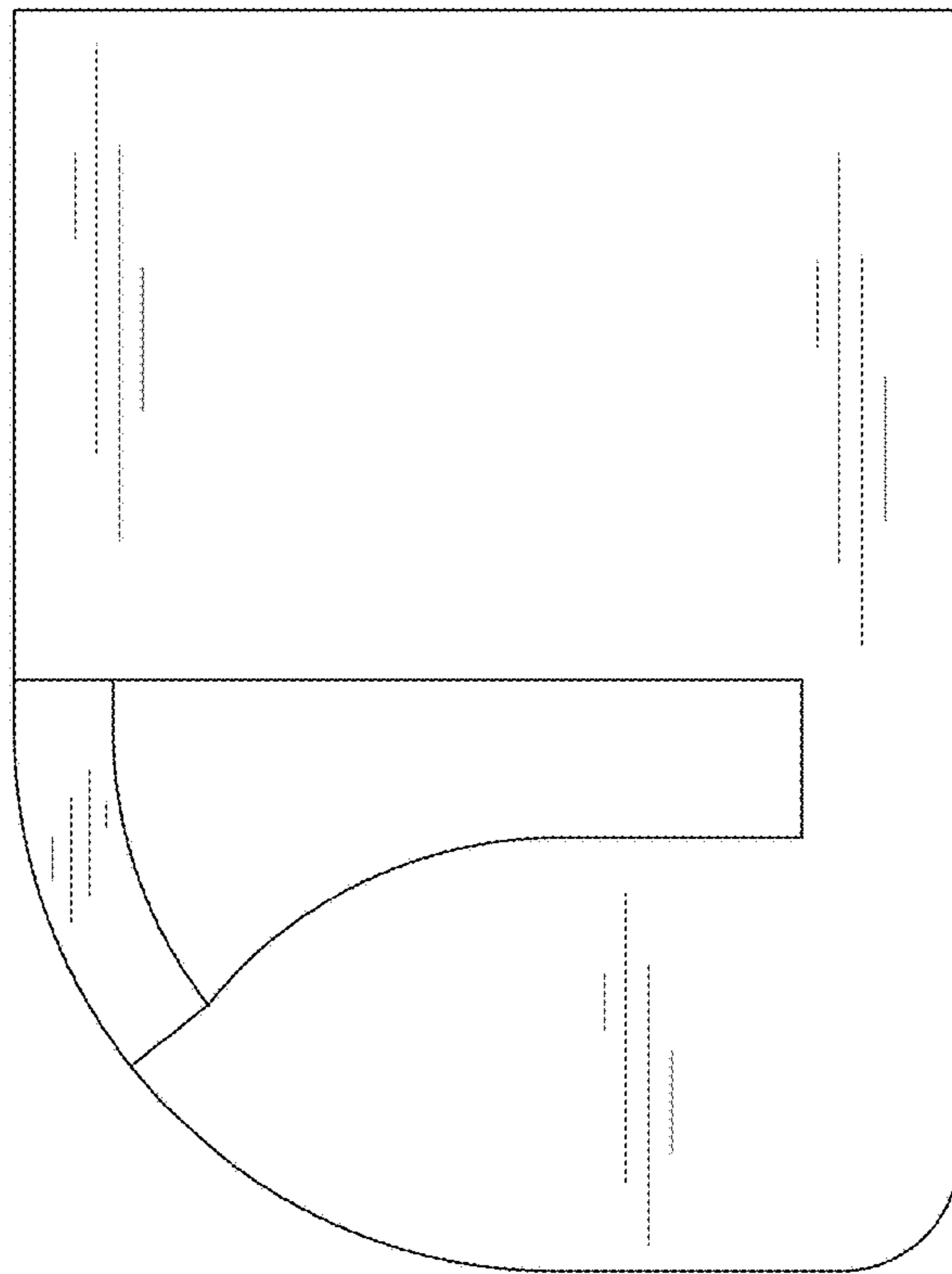


FIG. 21

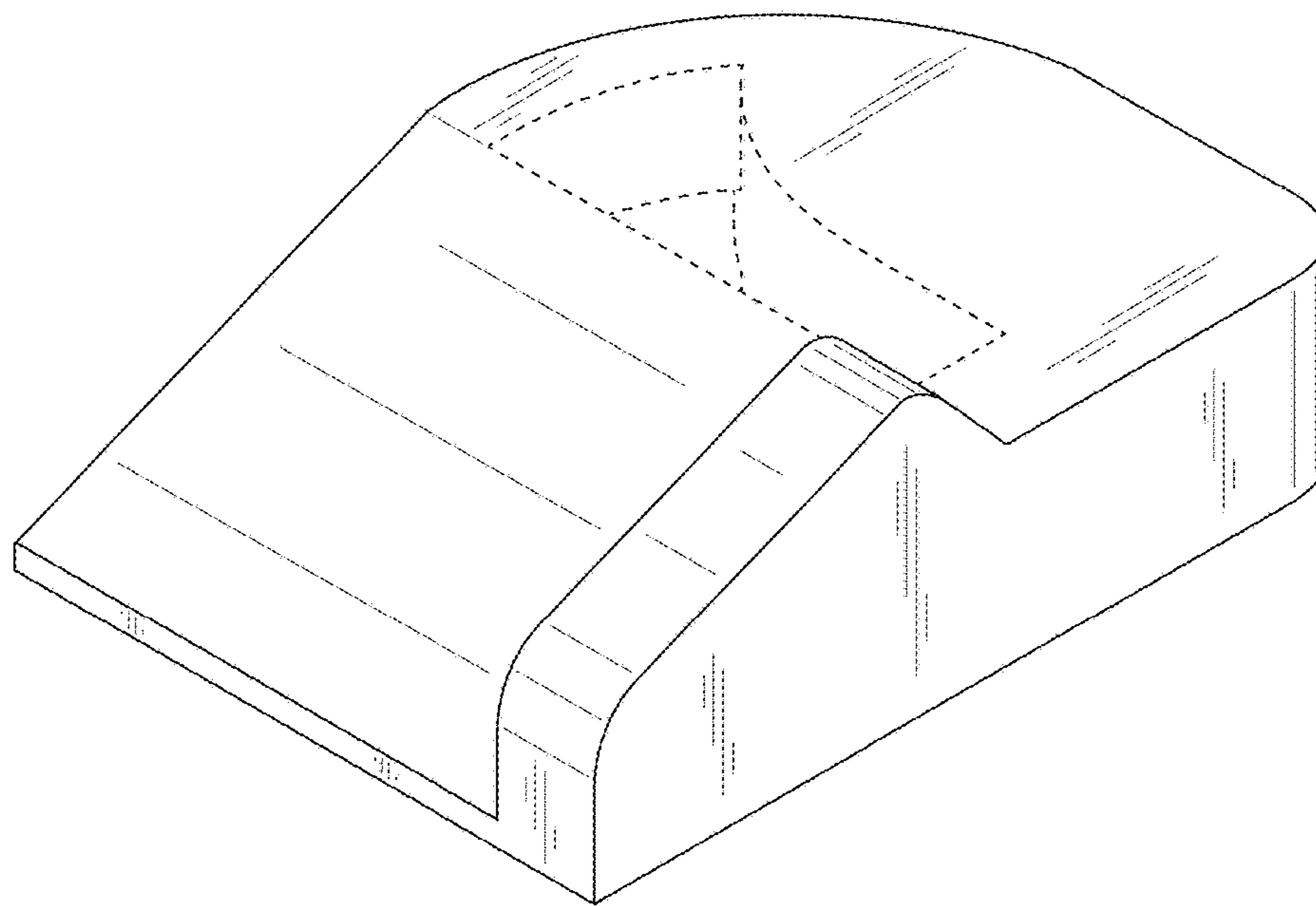


FIG. 22

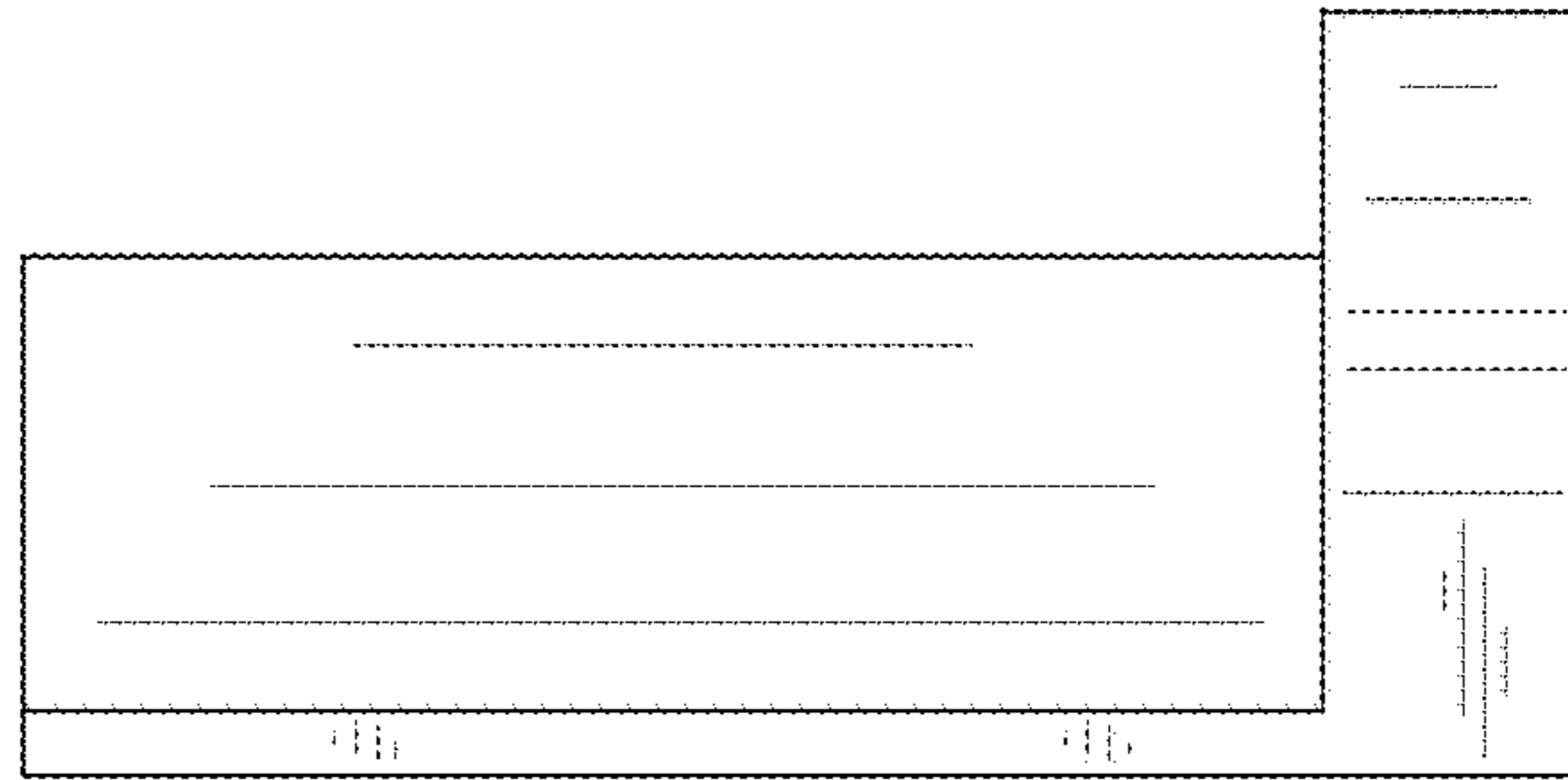


FIG. 23

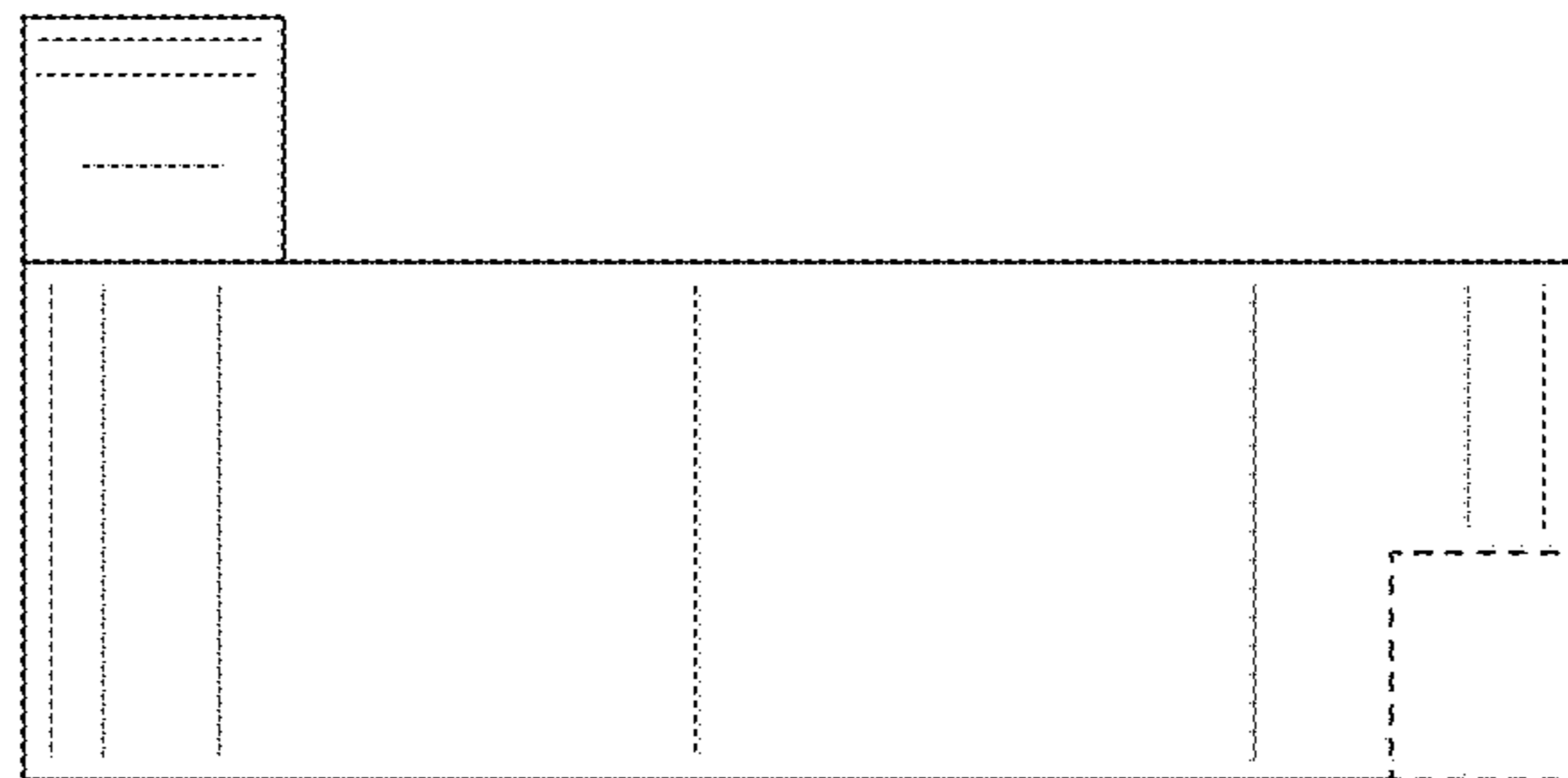


FIG. 24

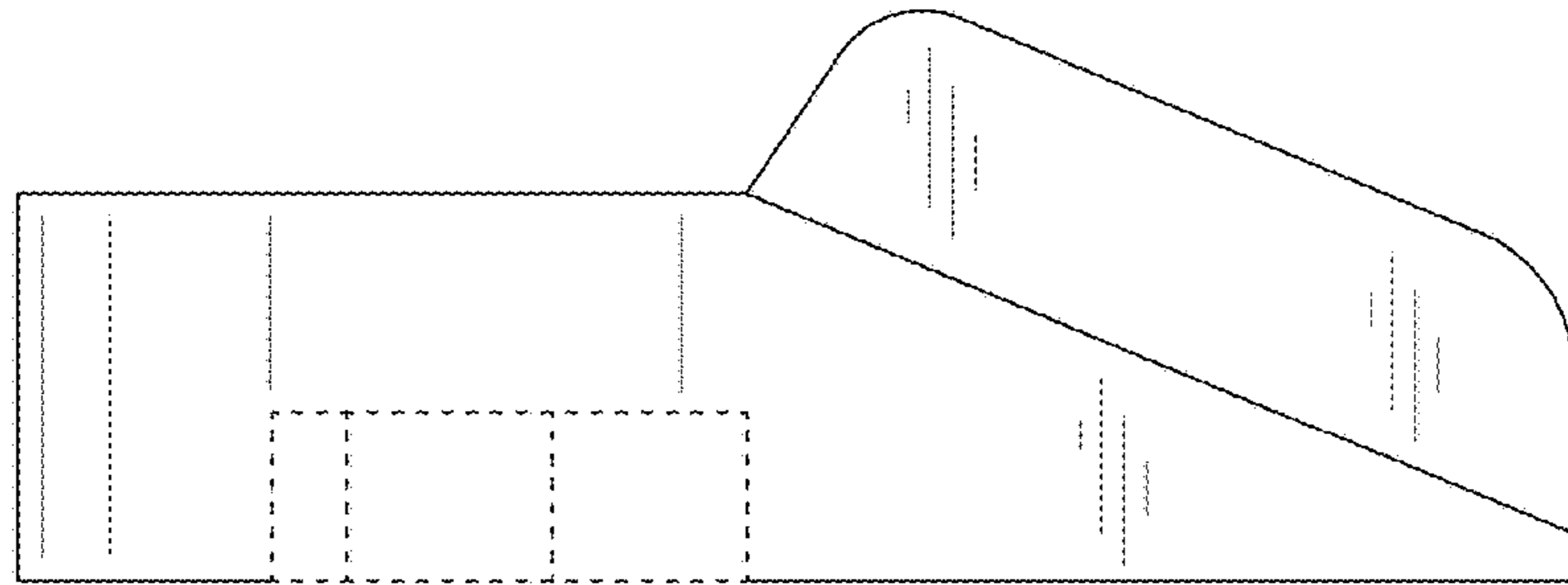


FIG. 25

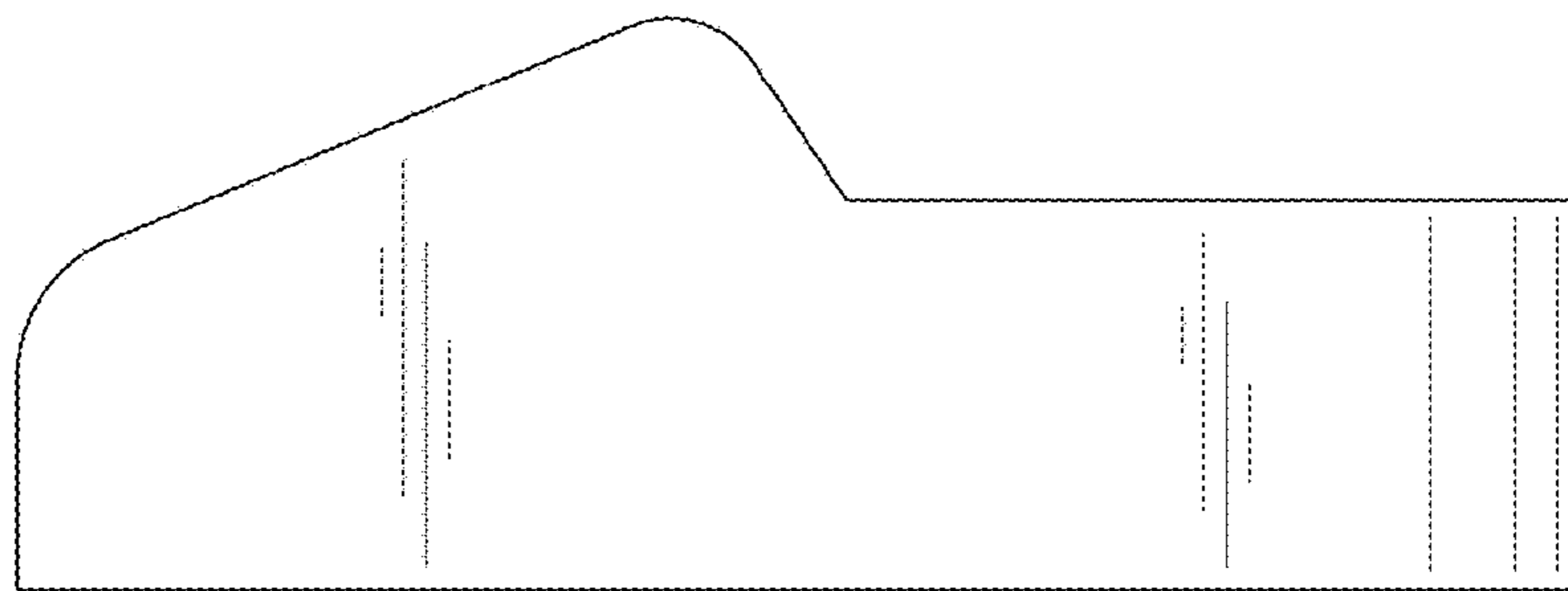


FIG. 26

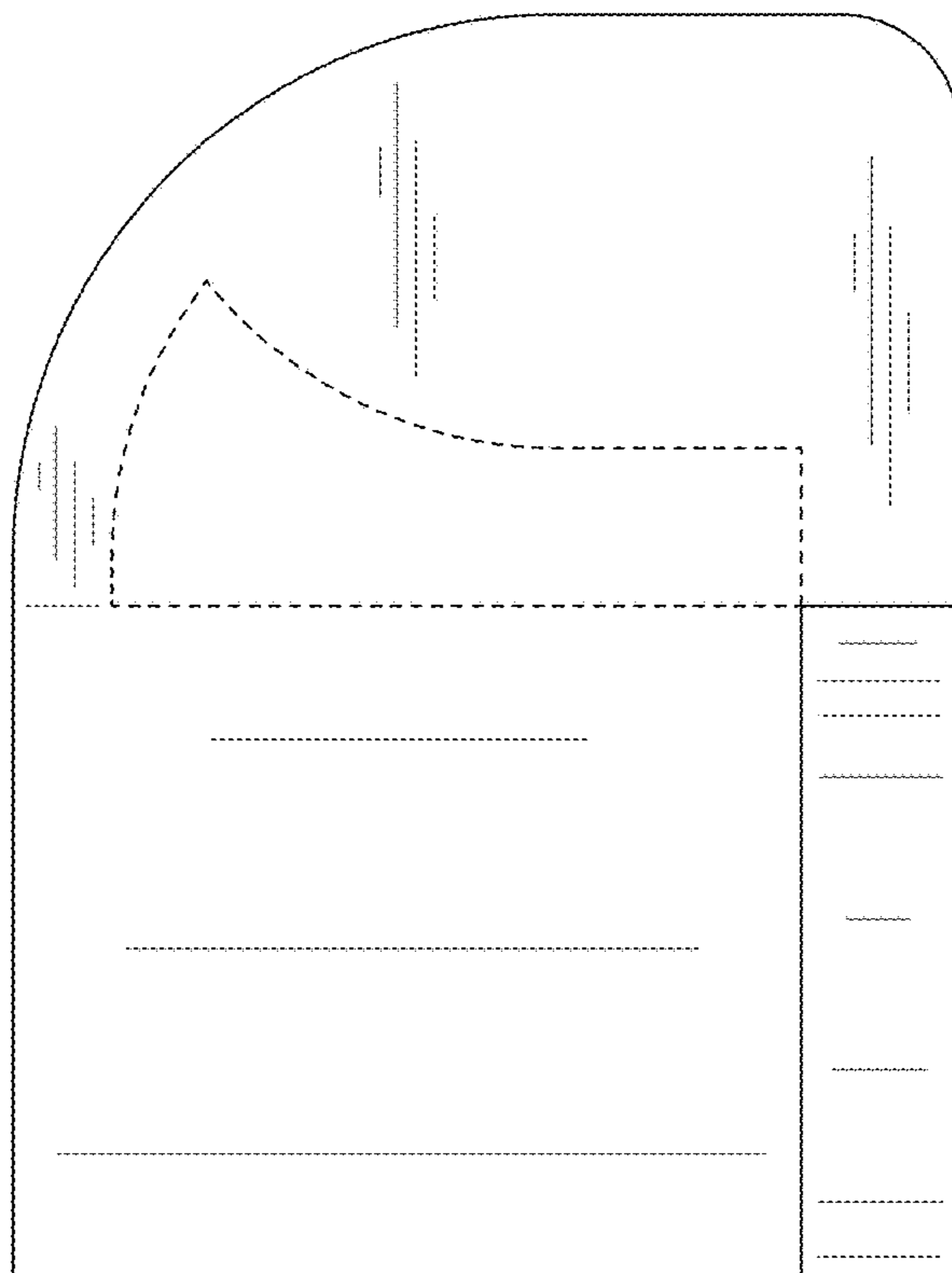


FIG. 27

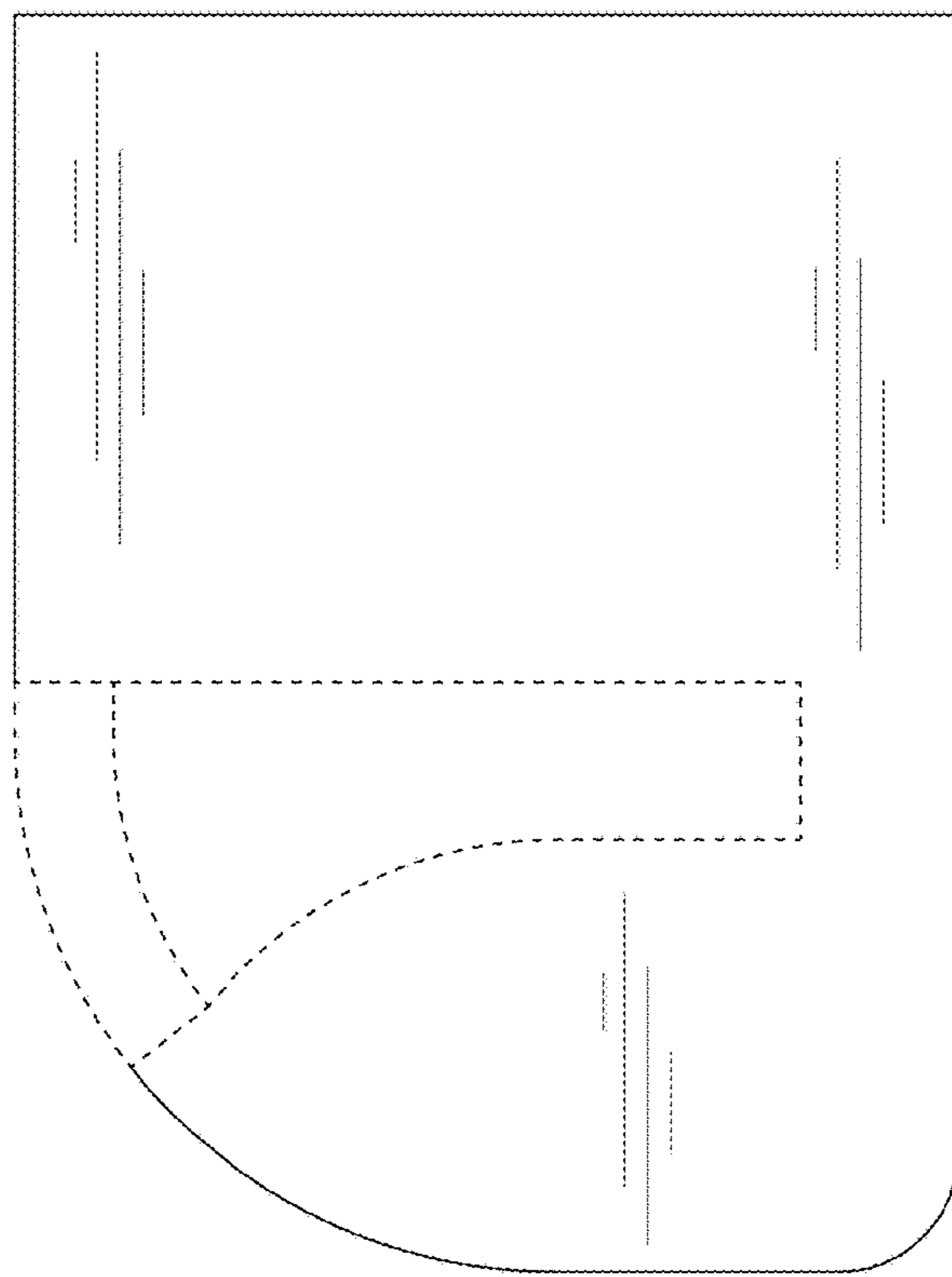


FIG. 28

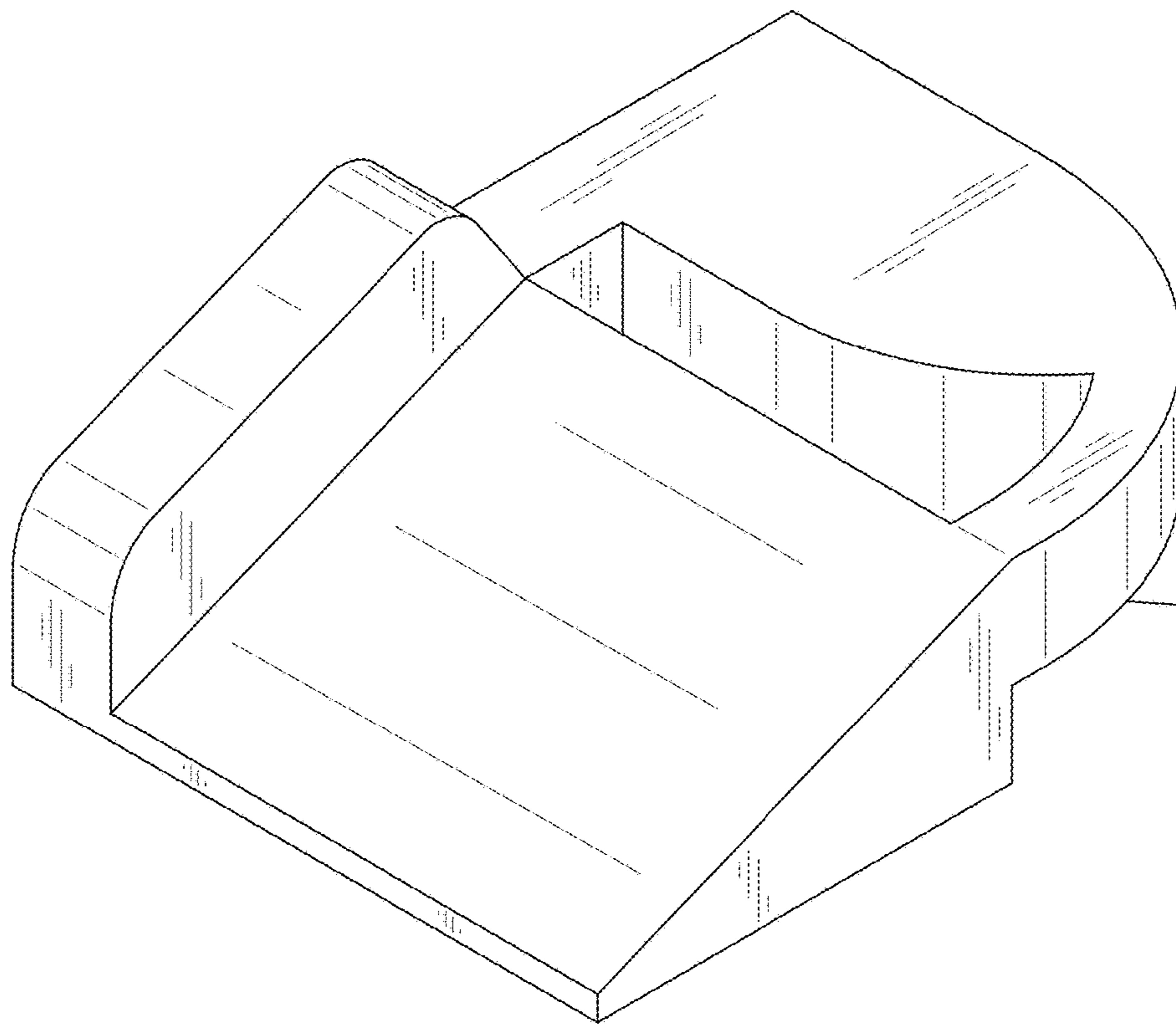


FIG. 29



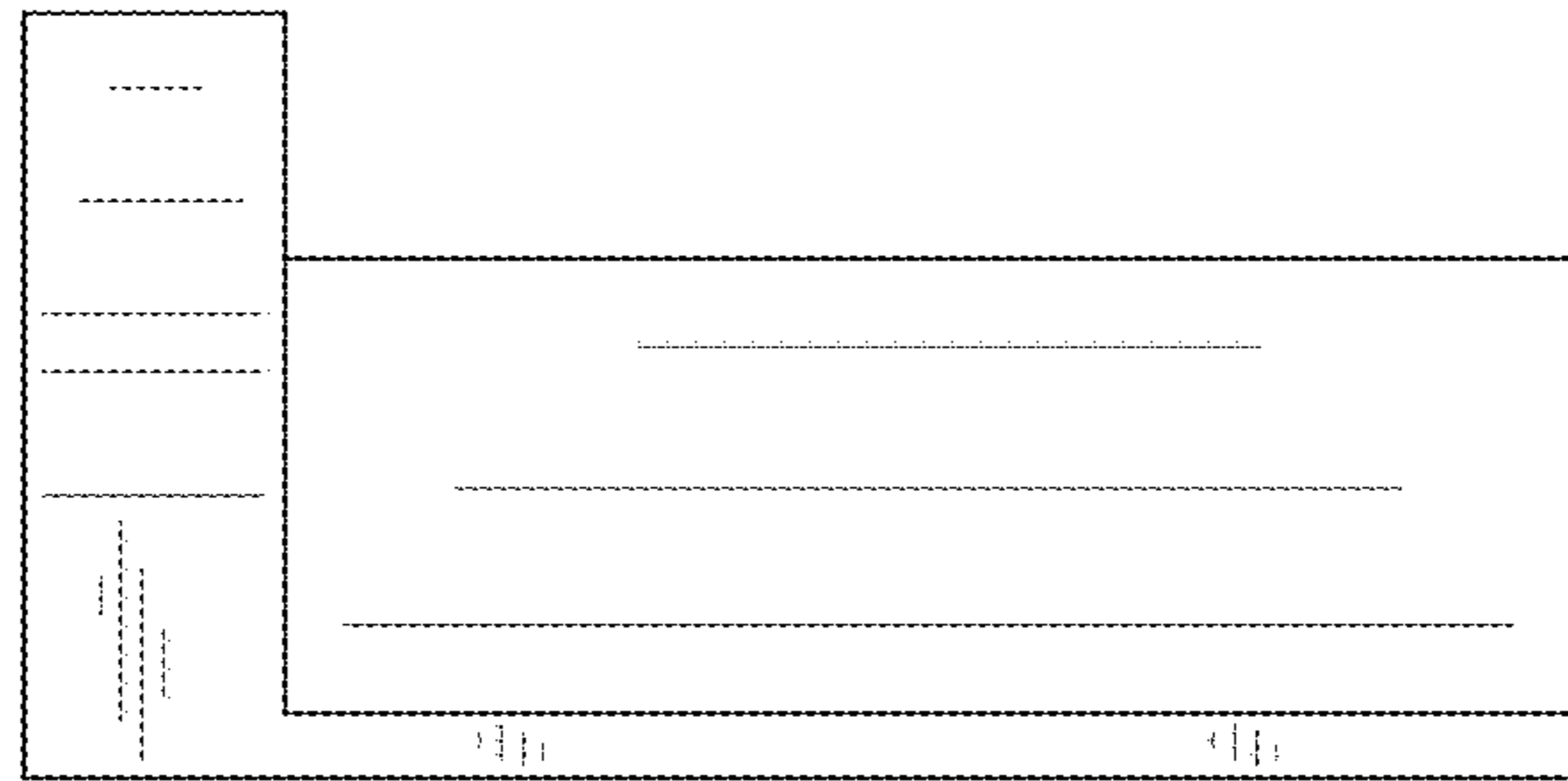


FIG. 30

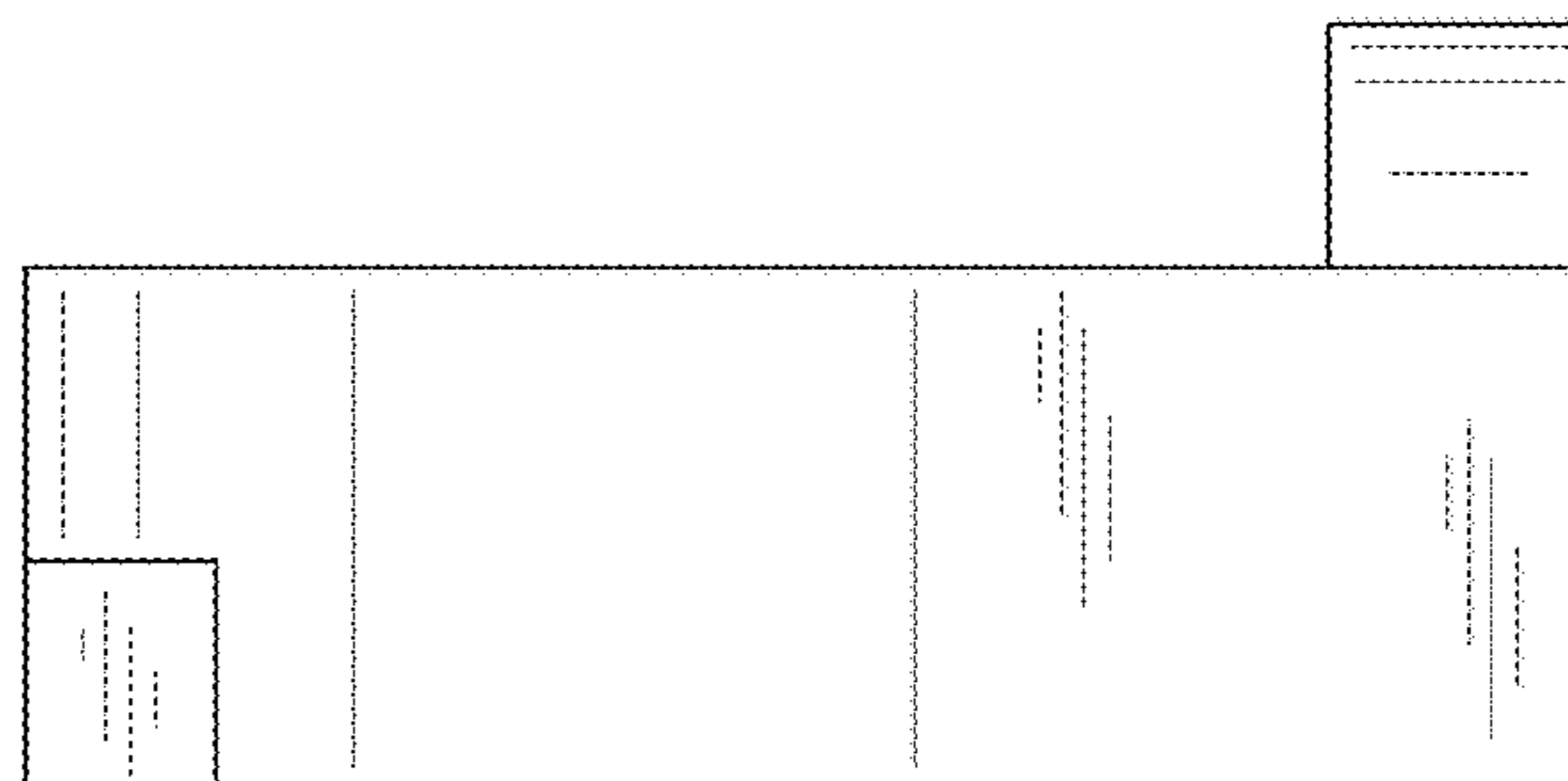


FIG. 31

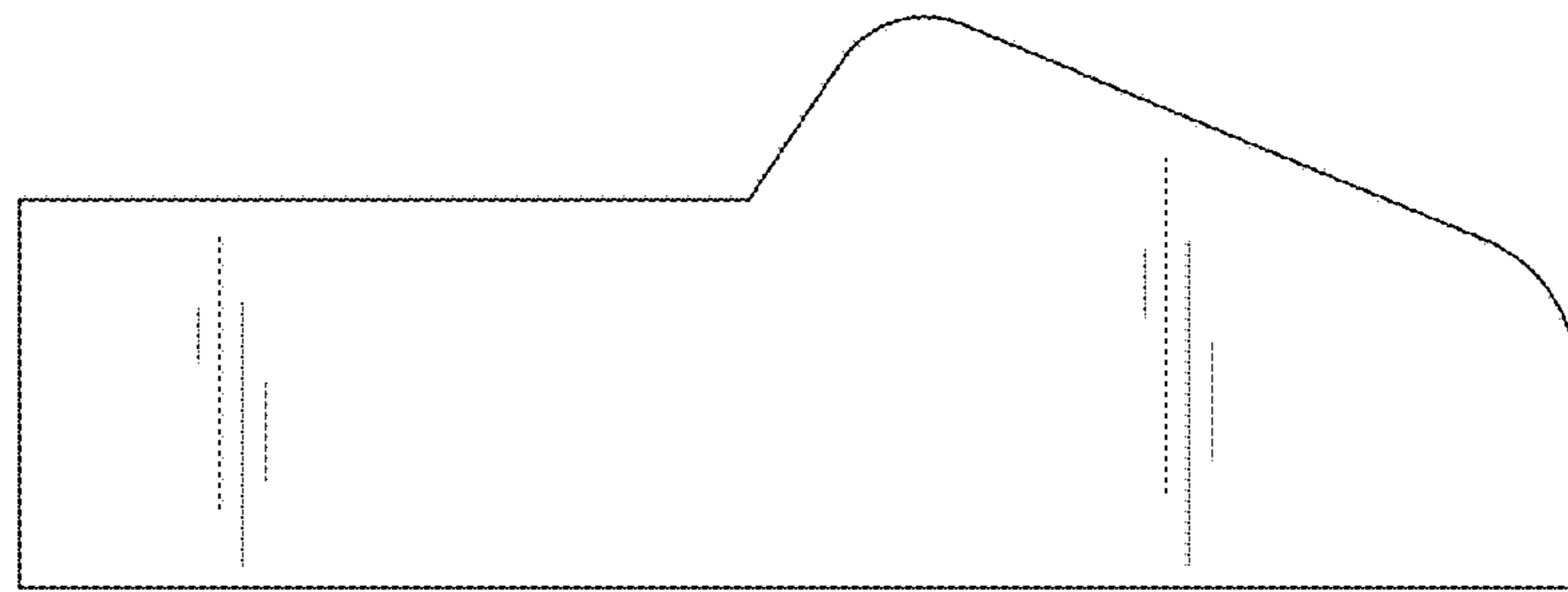


FIG. 32

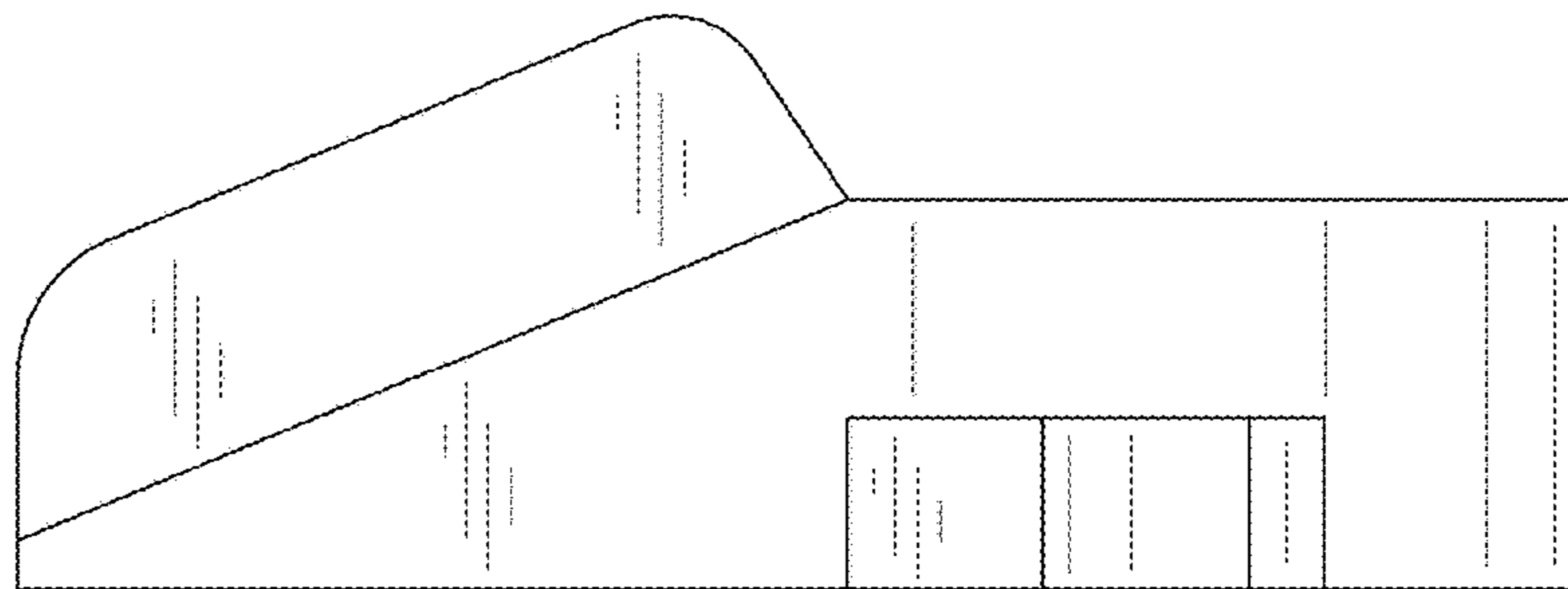


FIG. 33

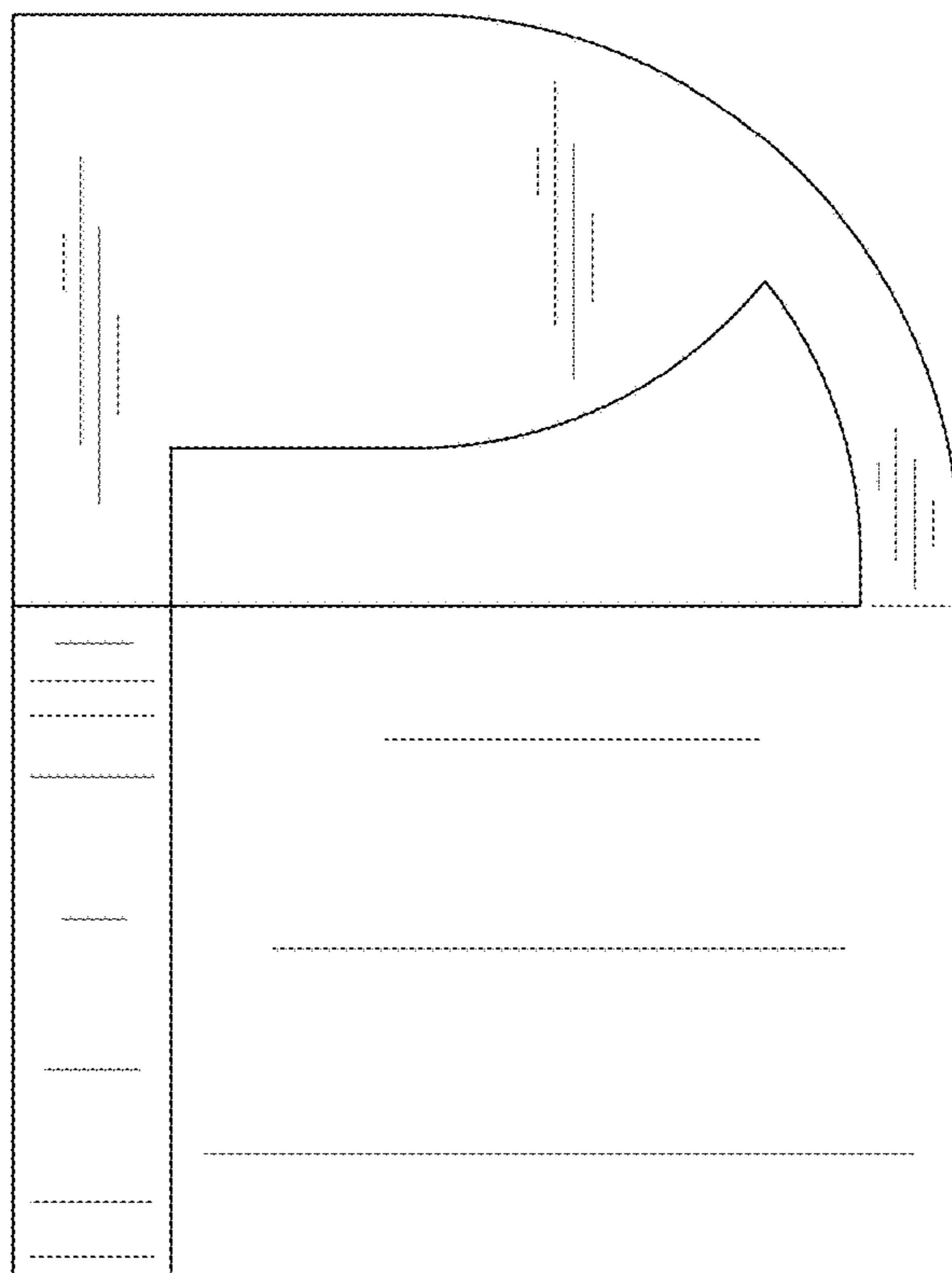


FIG. 34

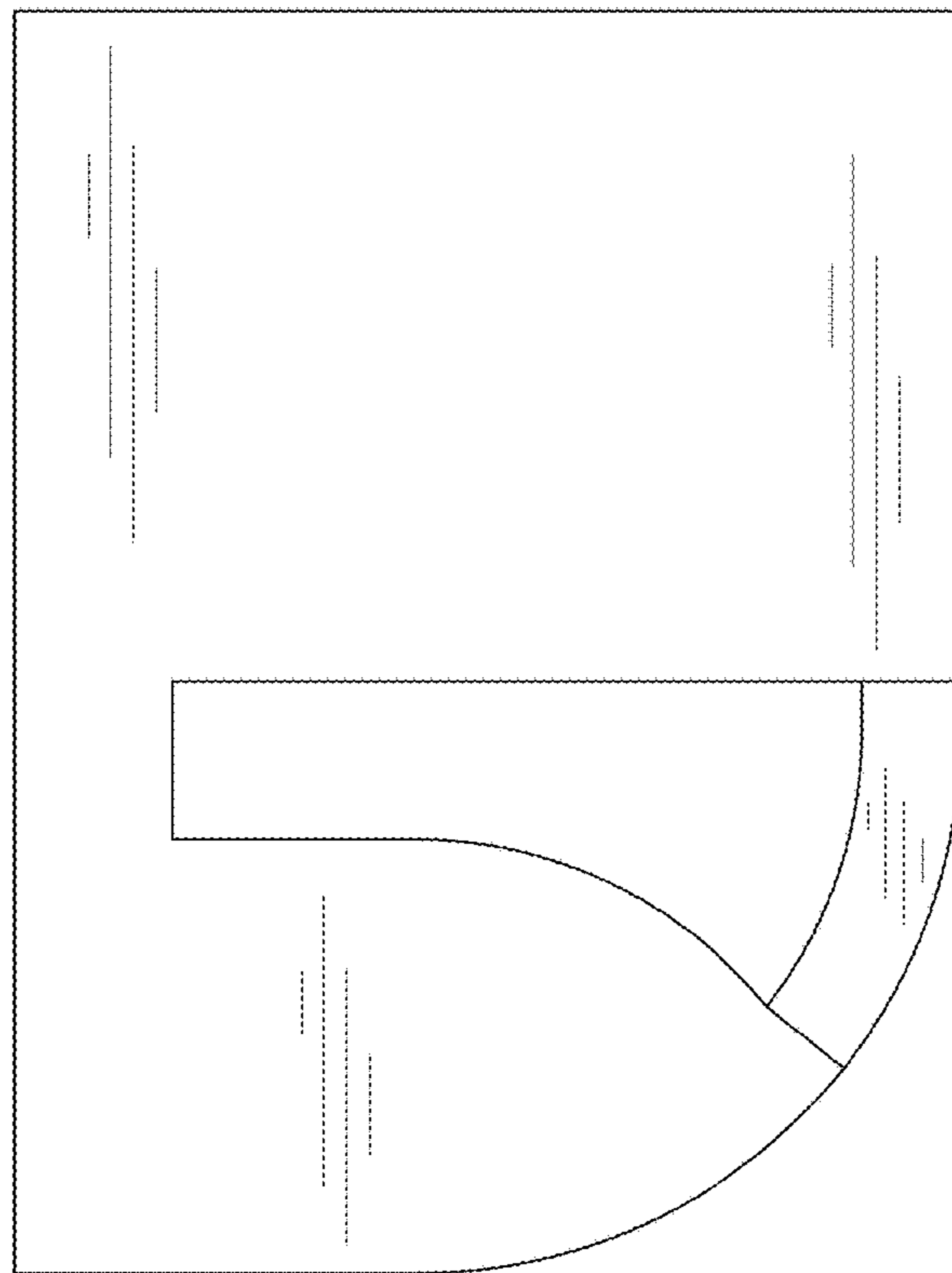


FIG. 35

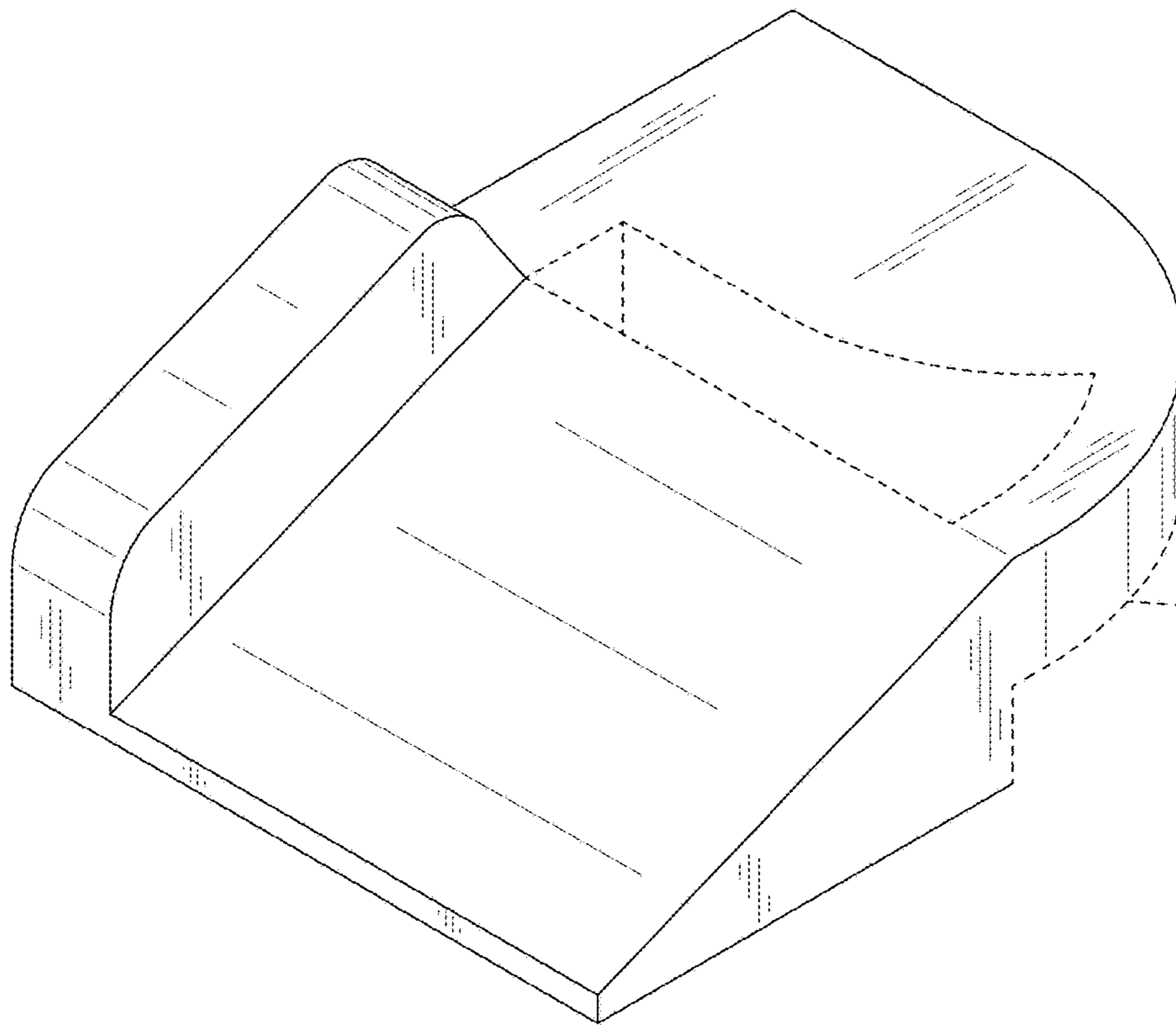


FIG. 36

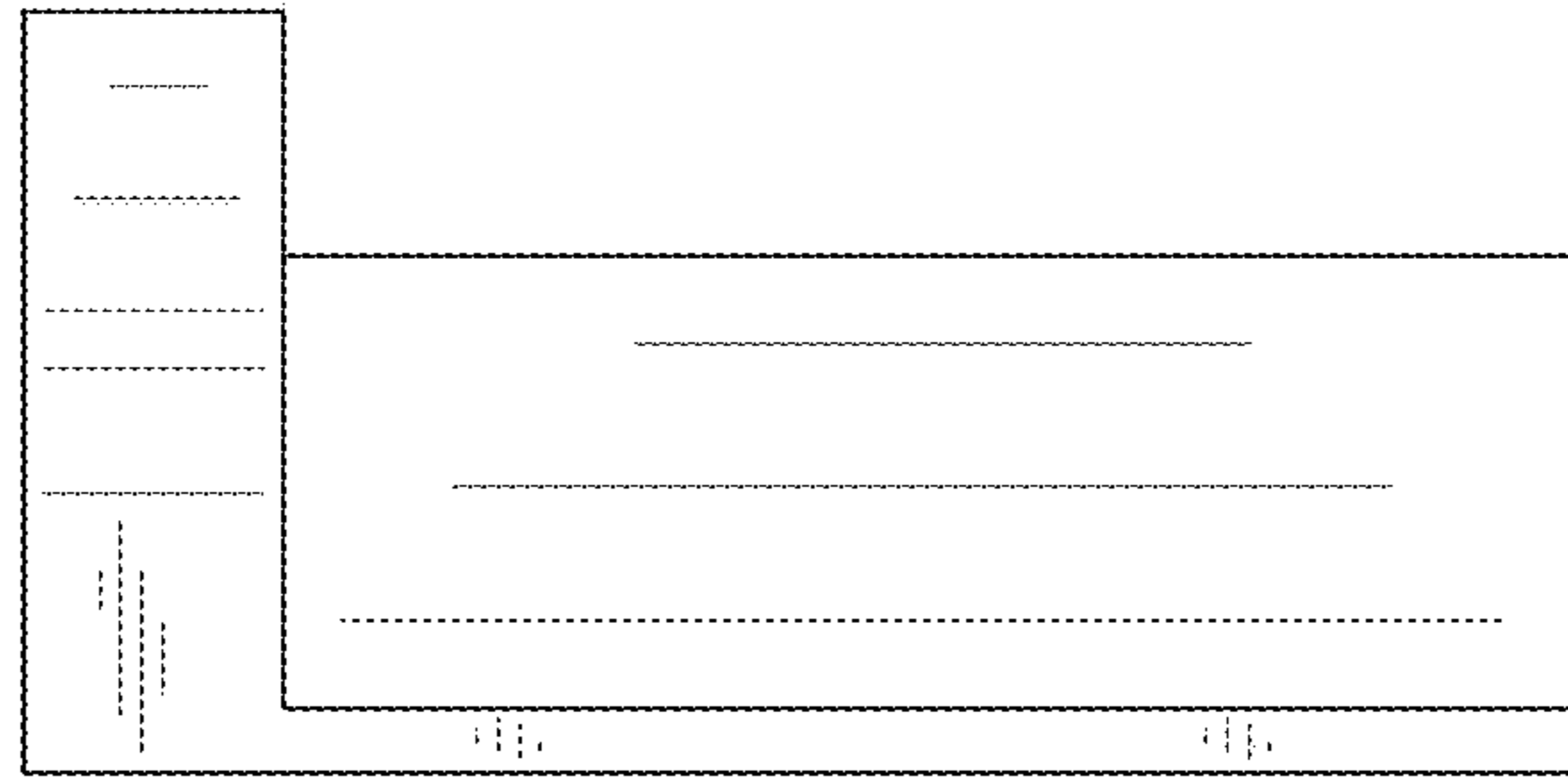


FIG. 37

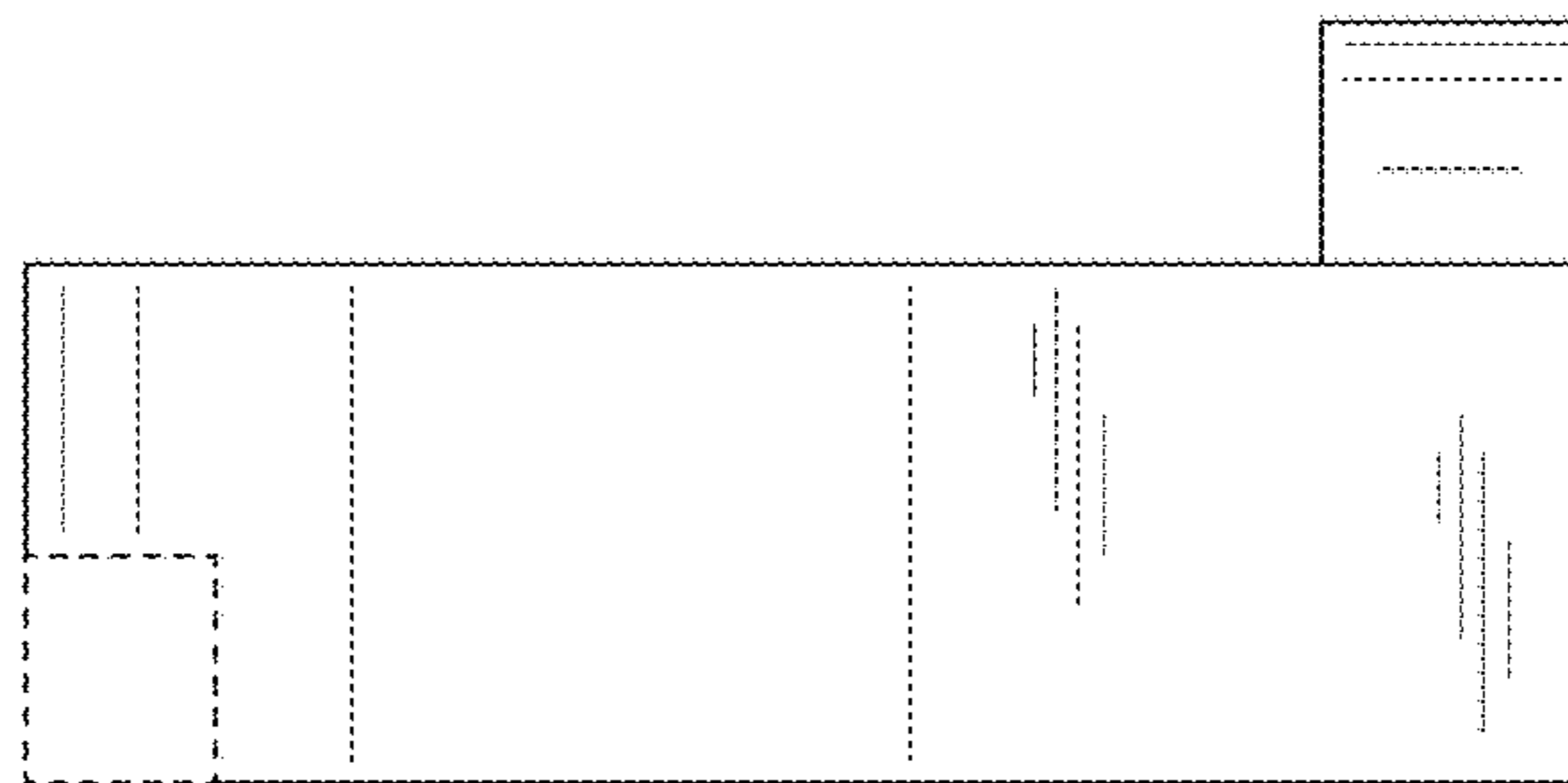


FIG. 38

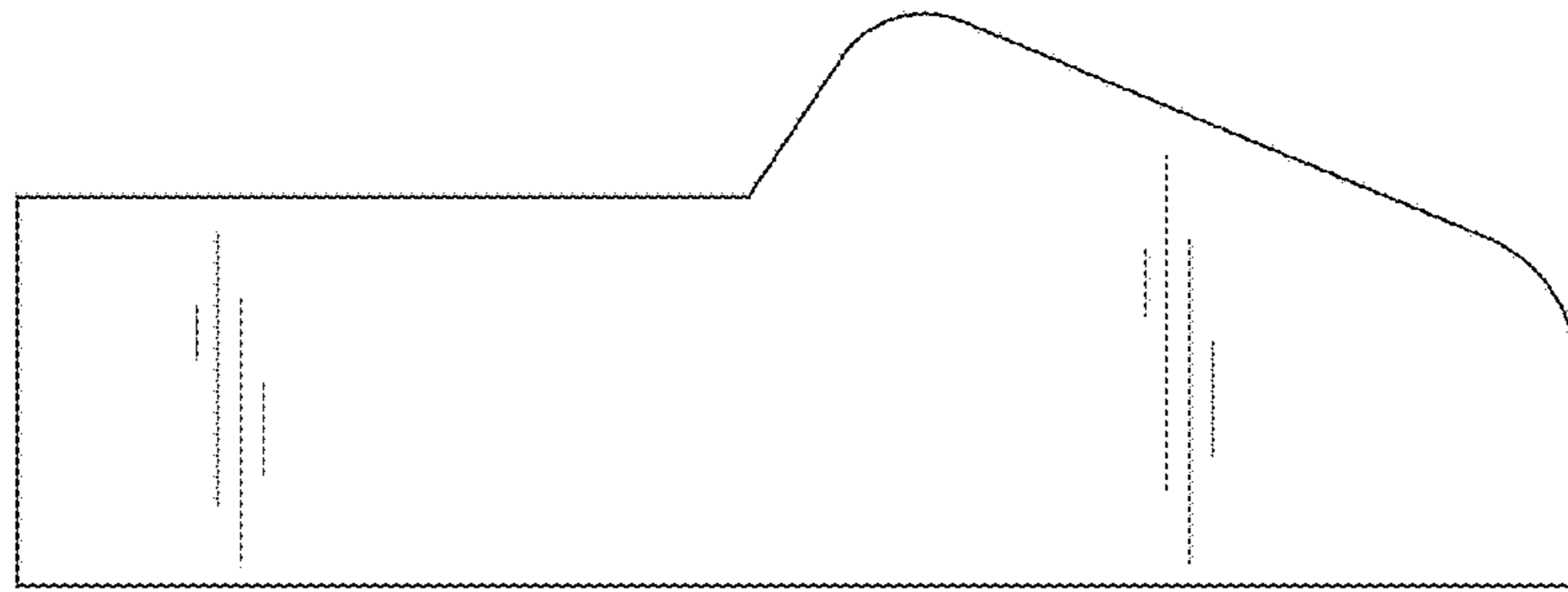


FIG. 39

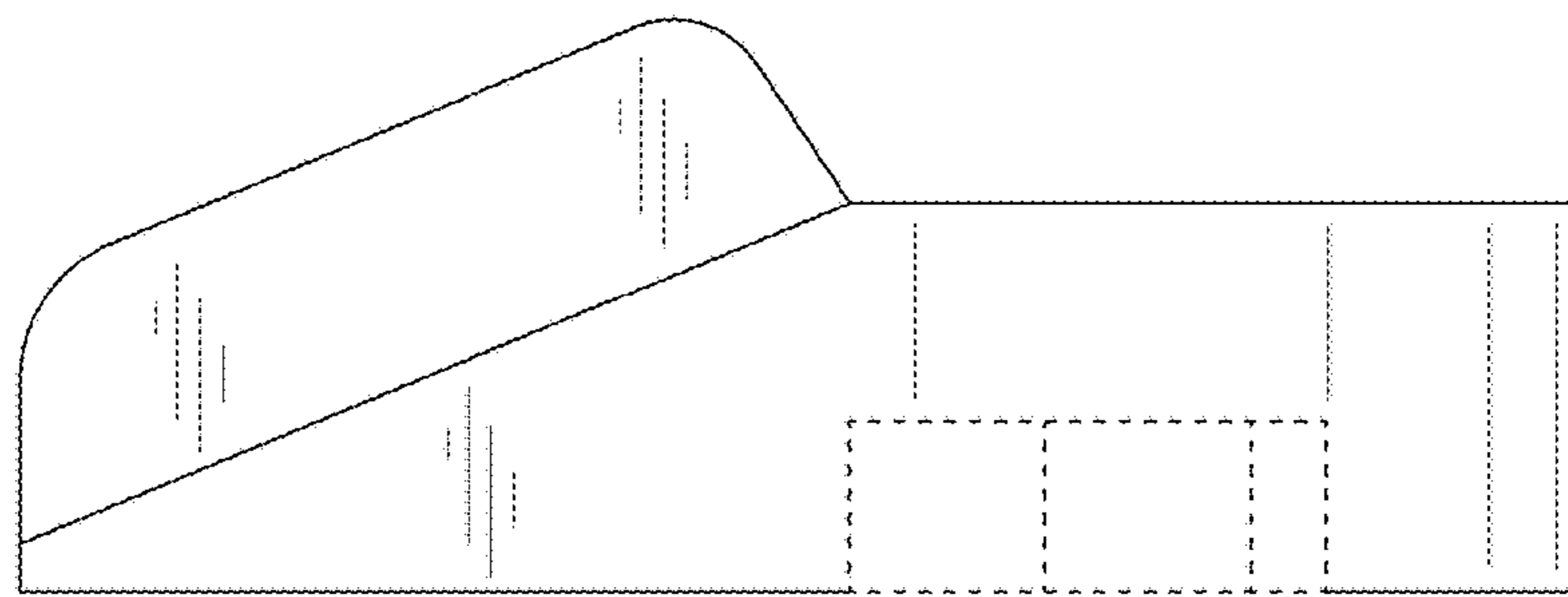


FIG. 40

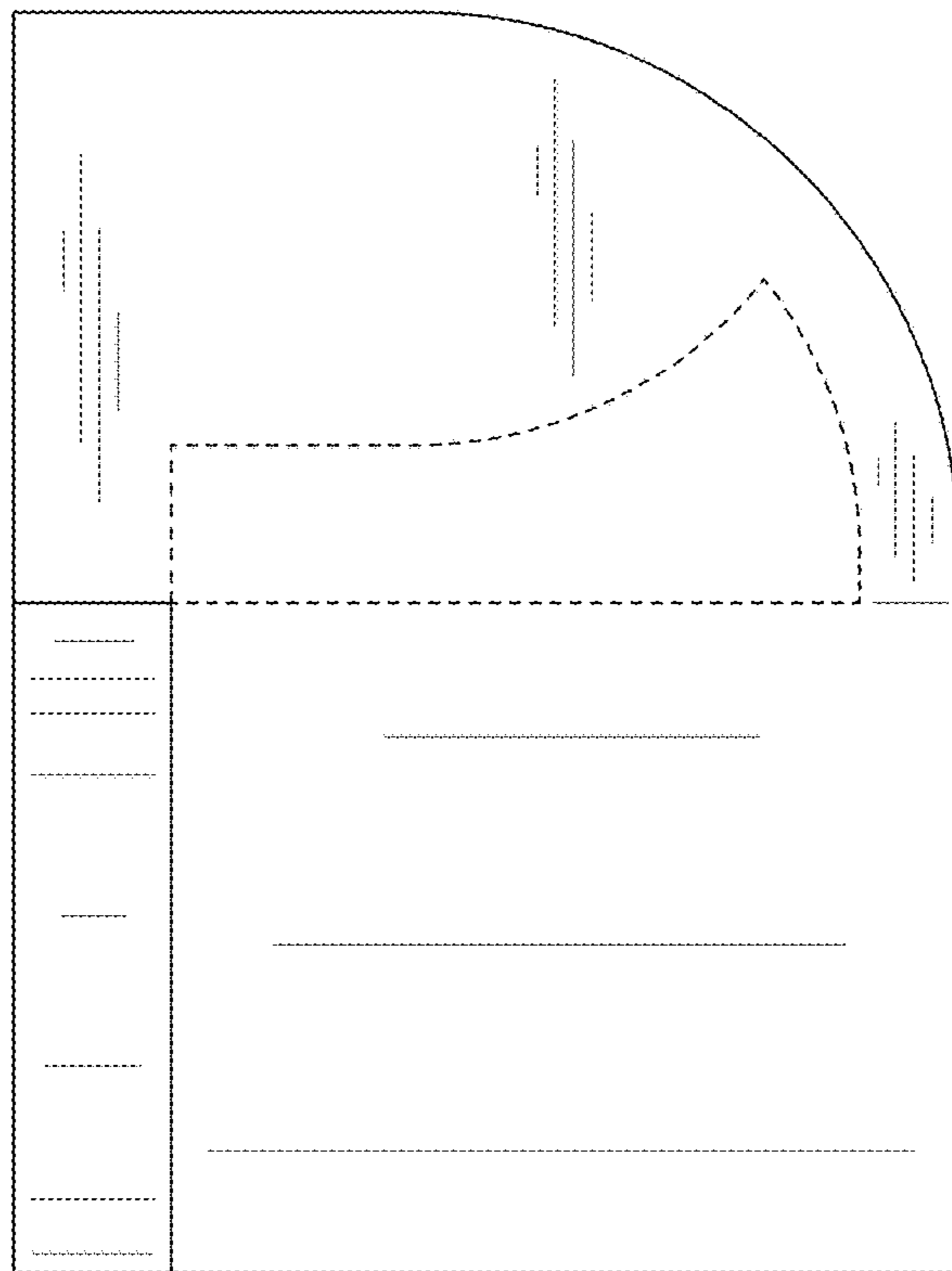


FIG. 41



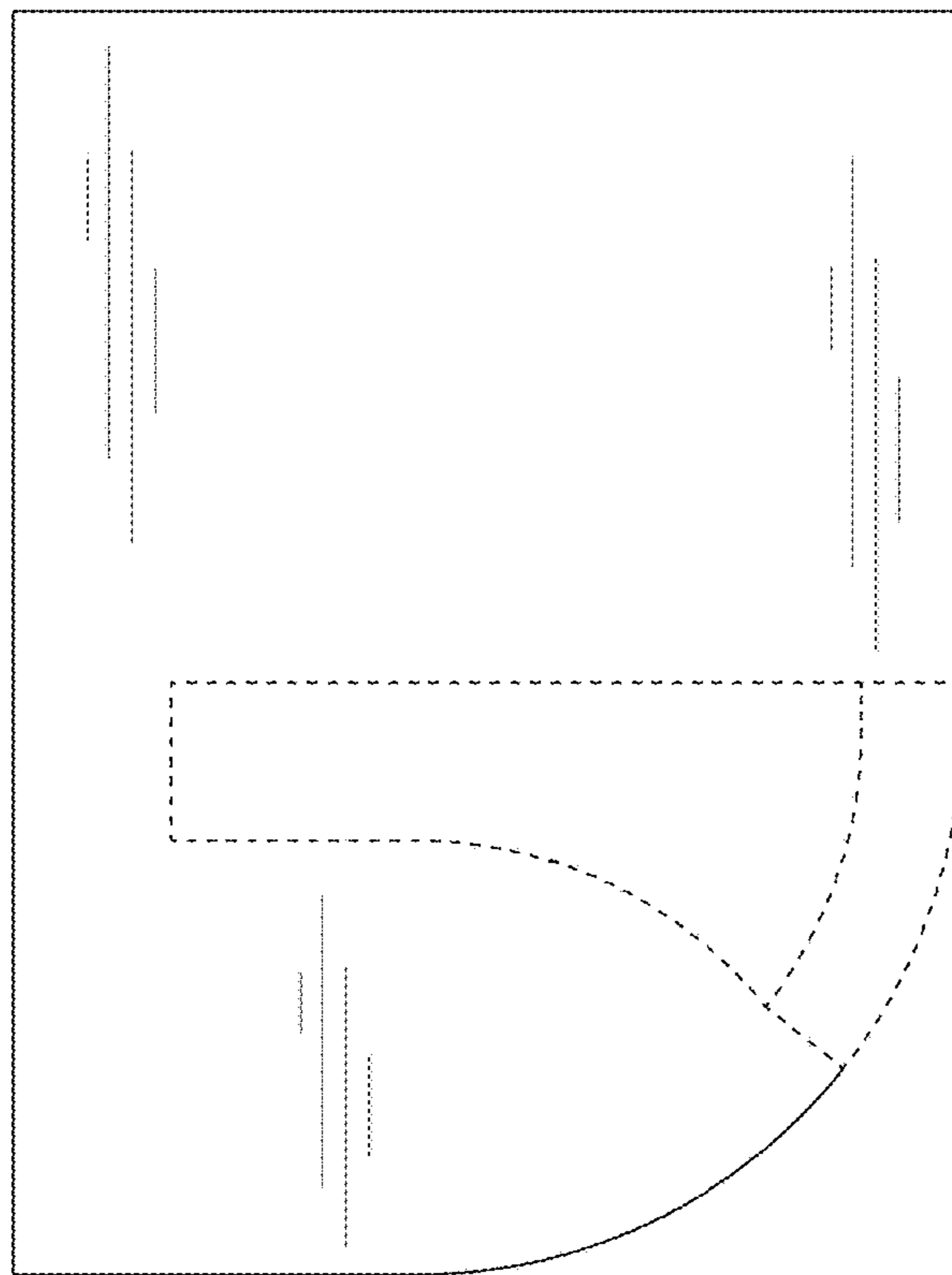


FIG. 42

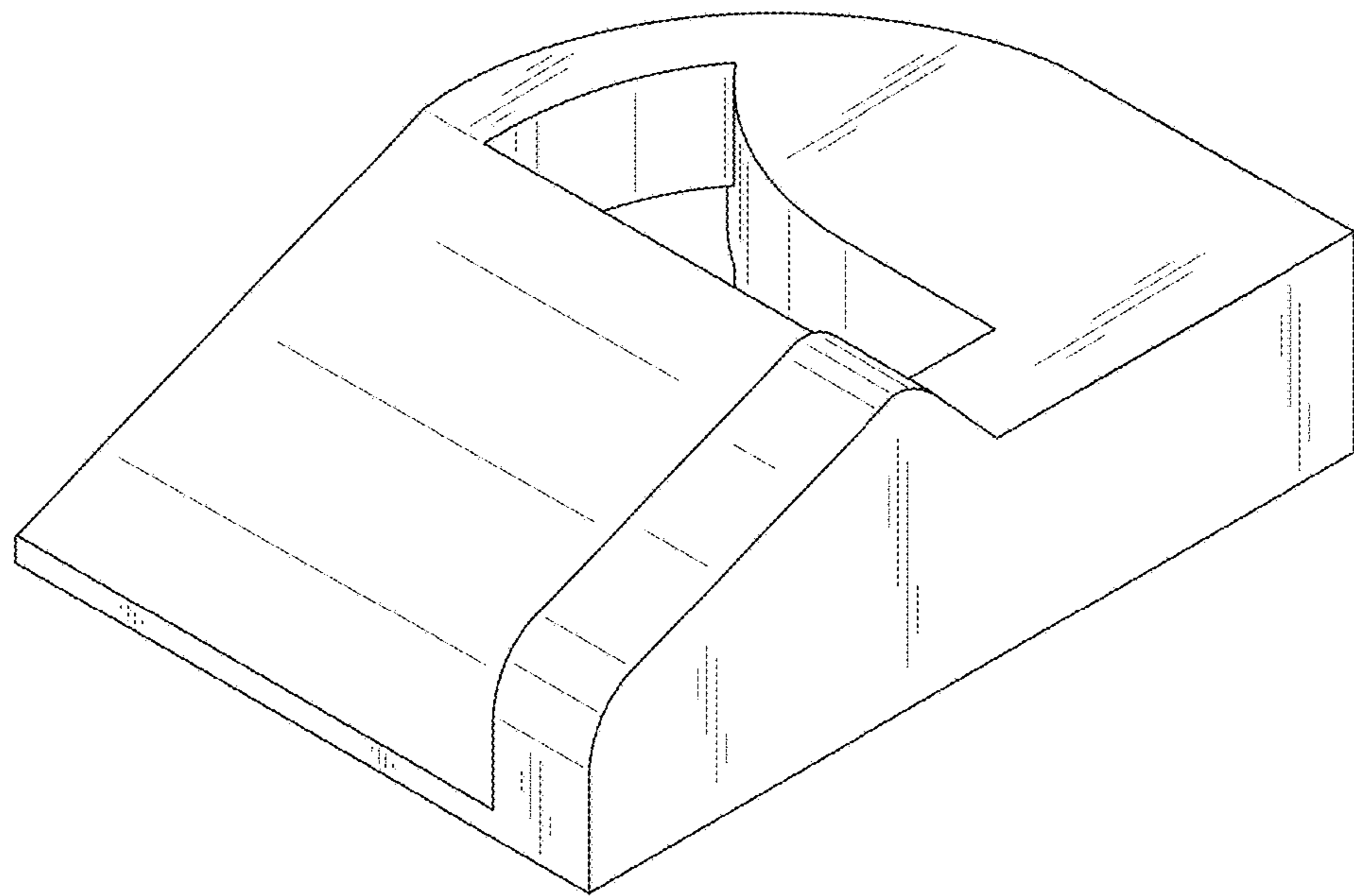


FIG. 43

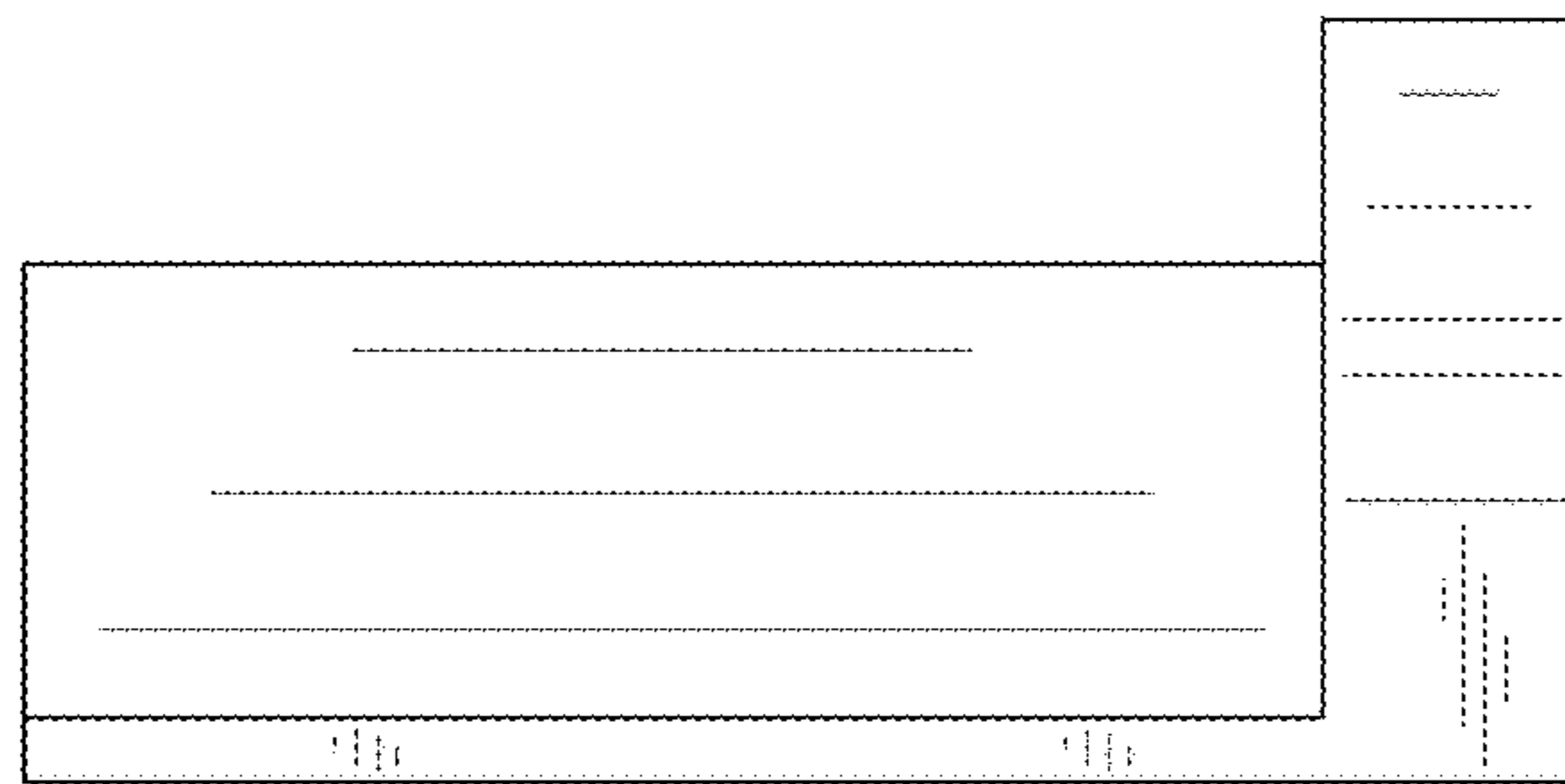


FIG. 44

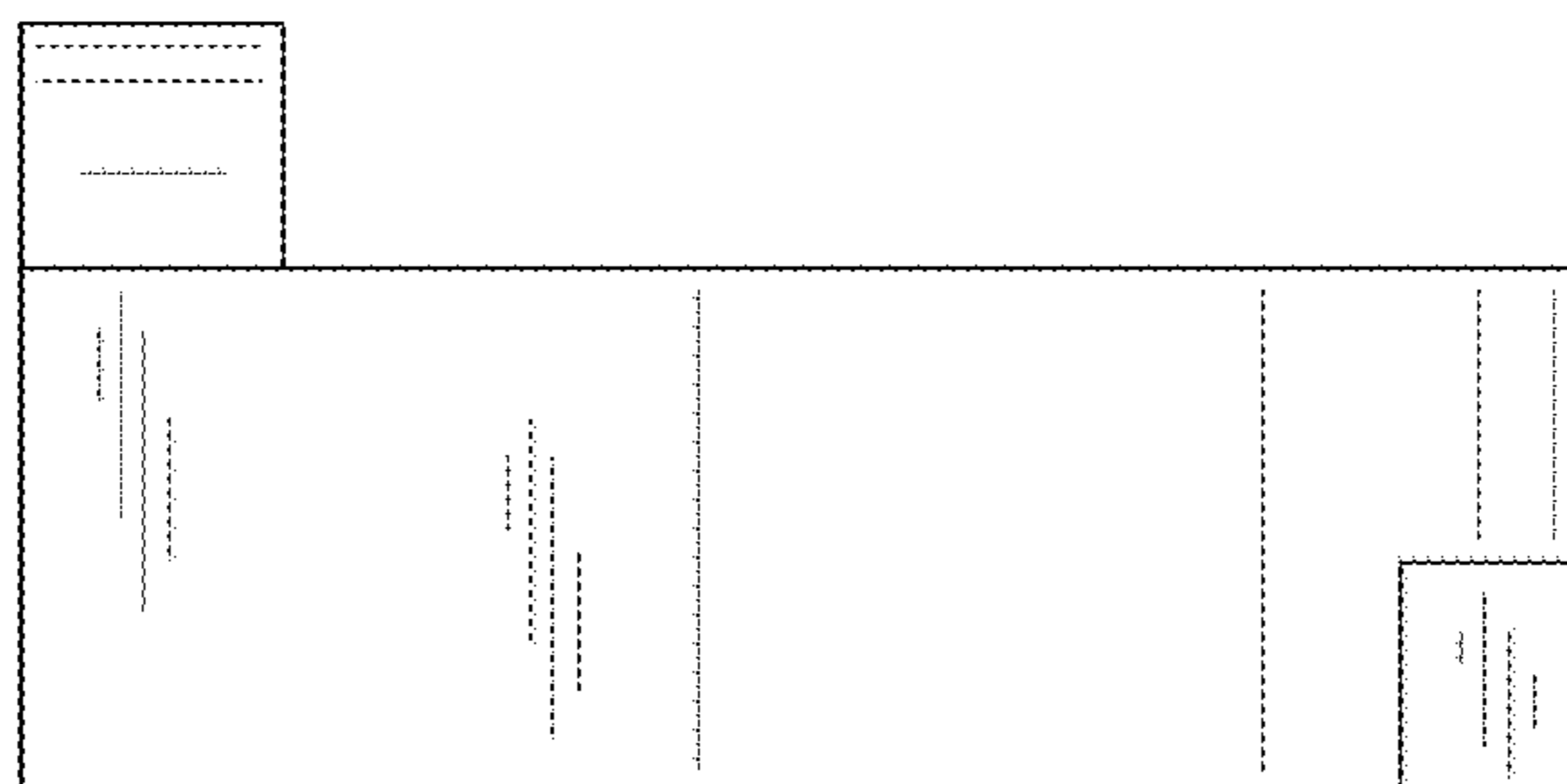


FIG. 45

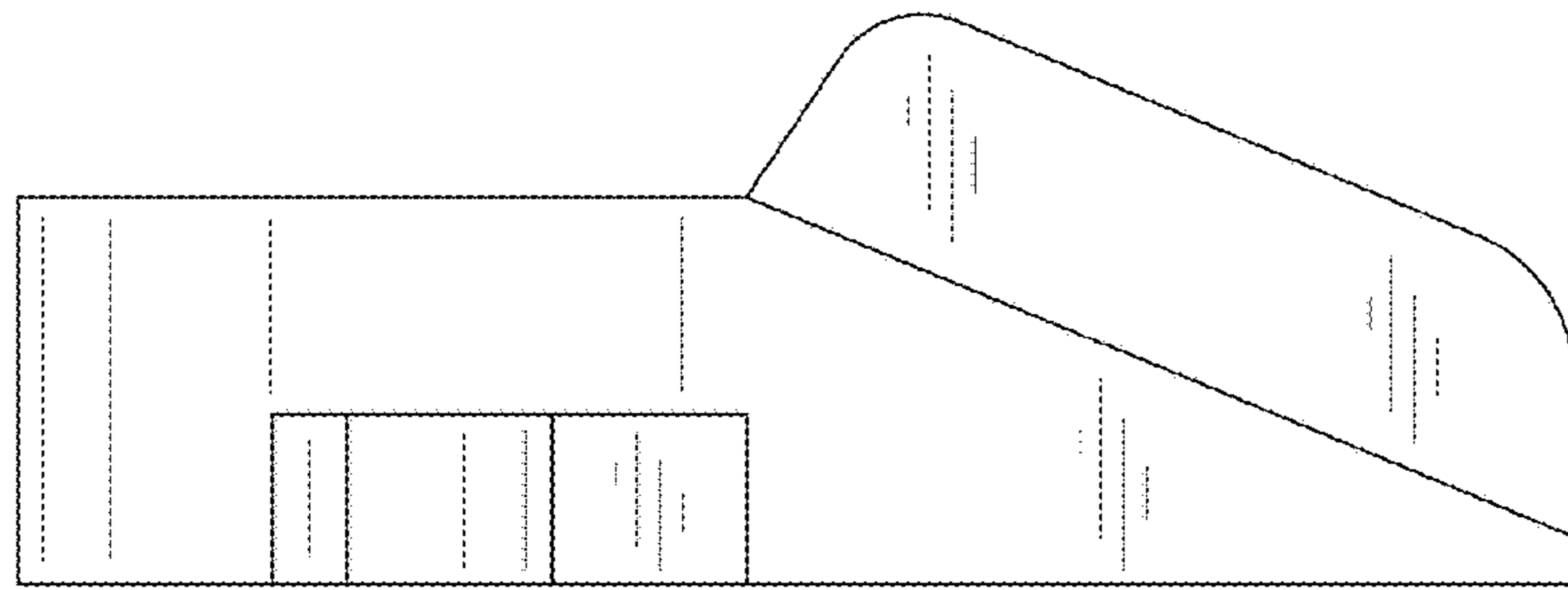


FIG. 46

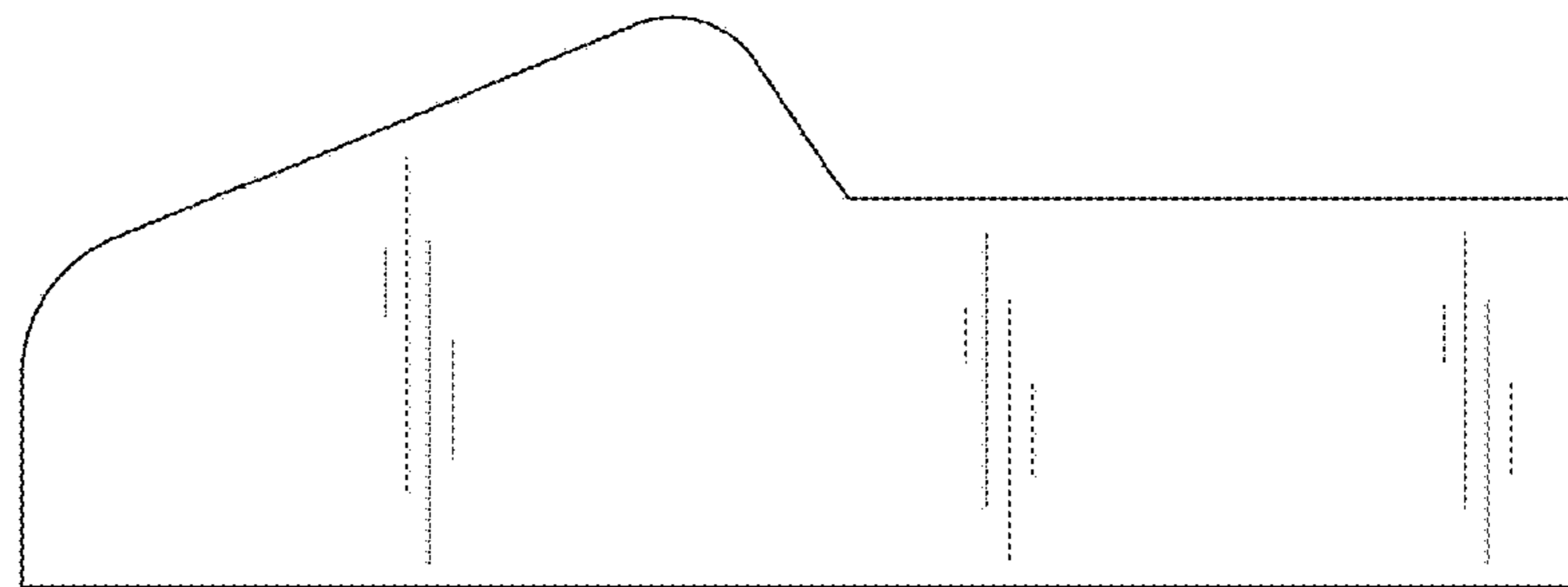


FIG. 47

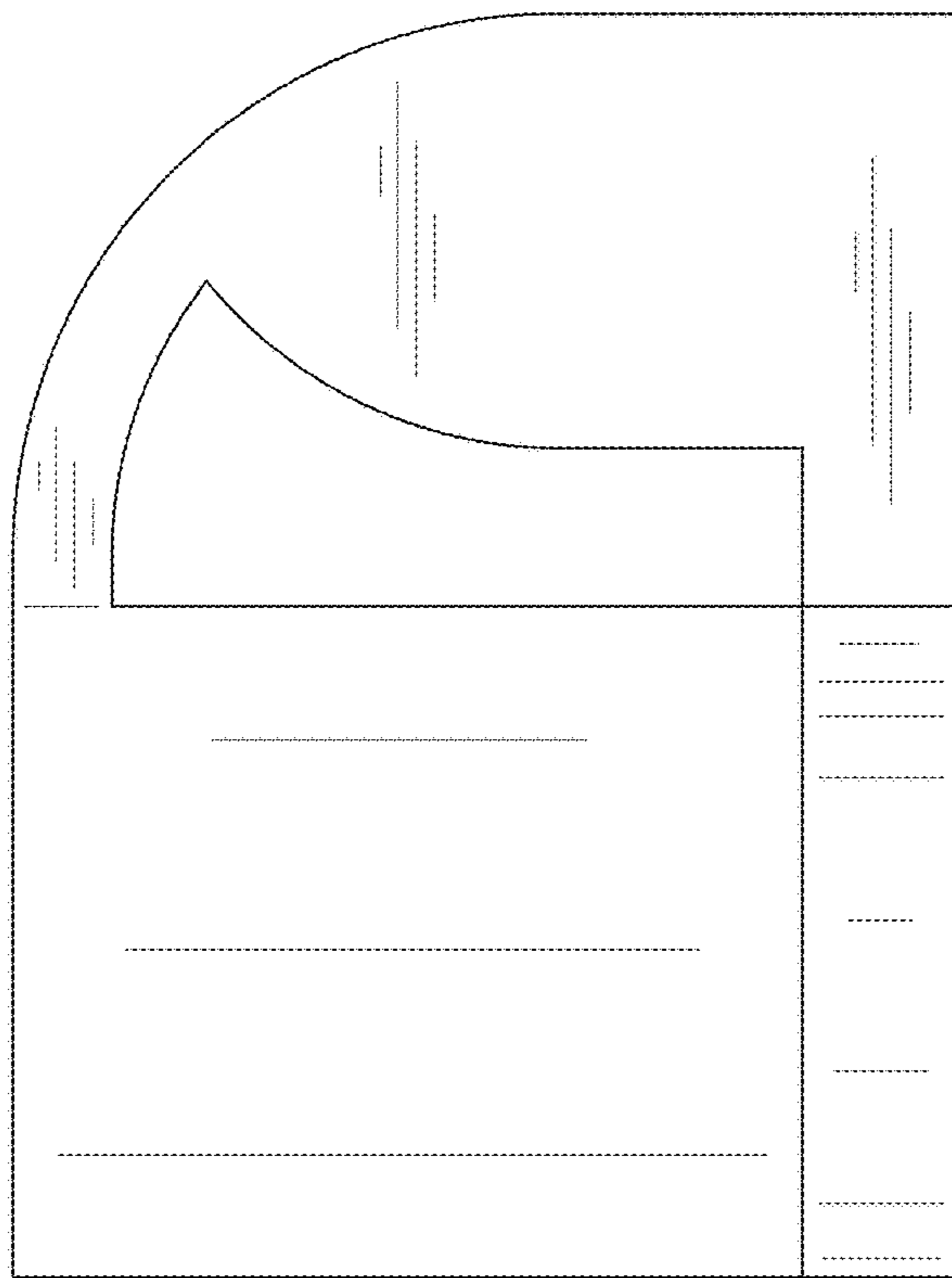


FIG. 48

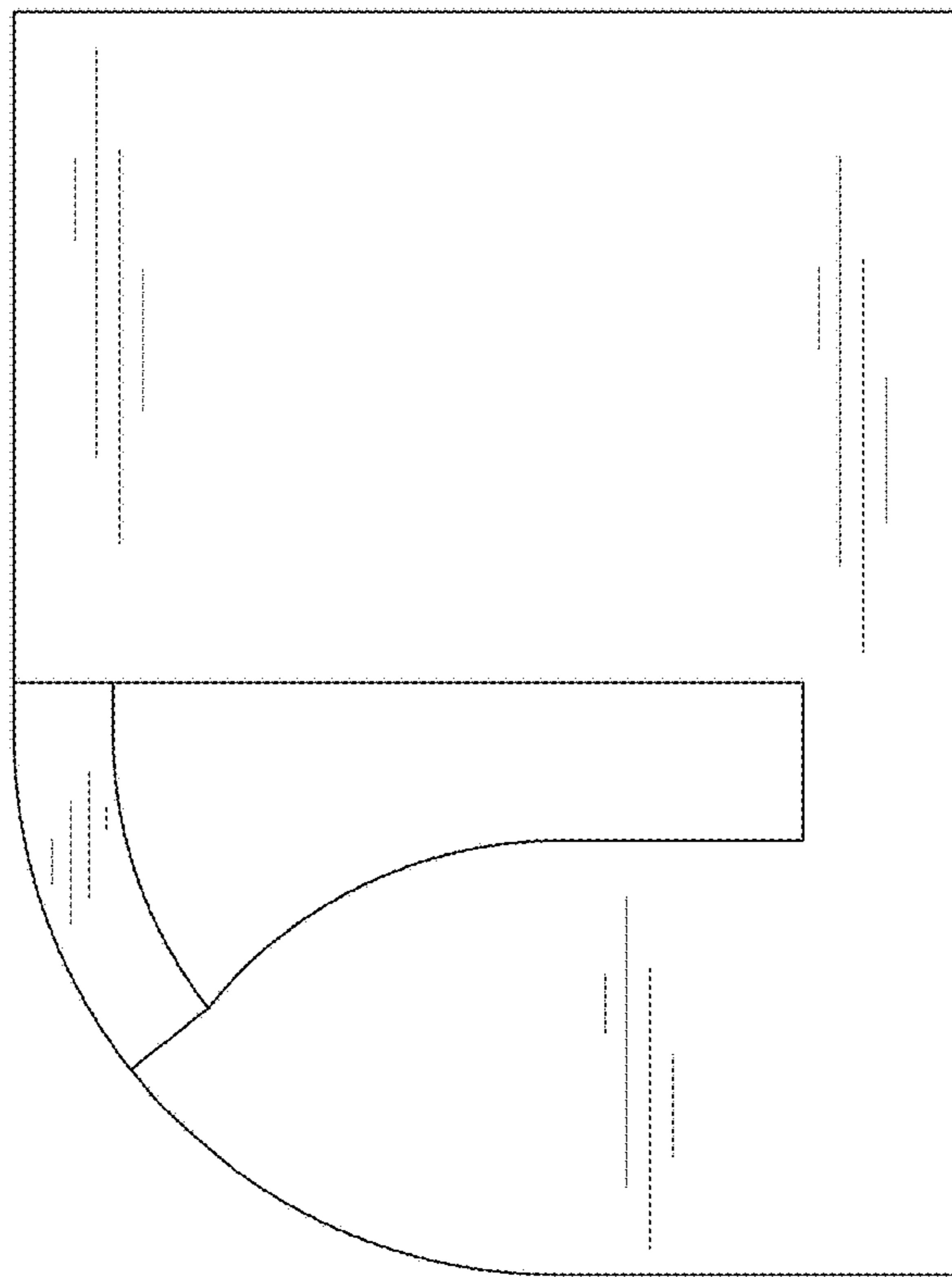


FIG. 49

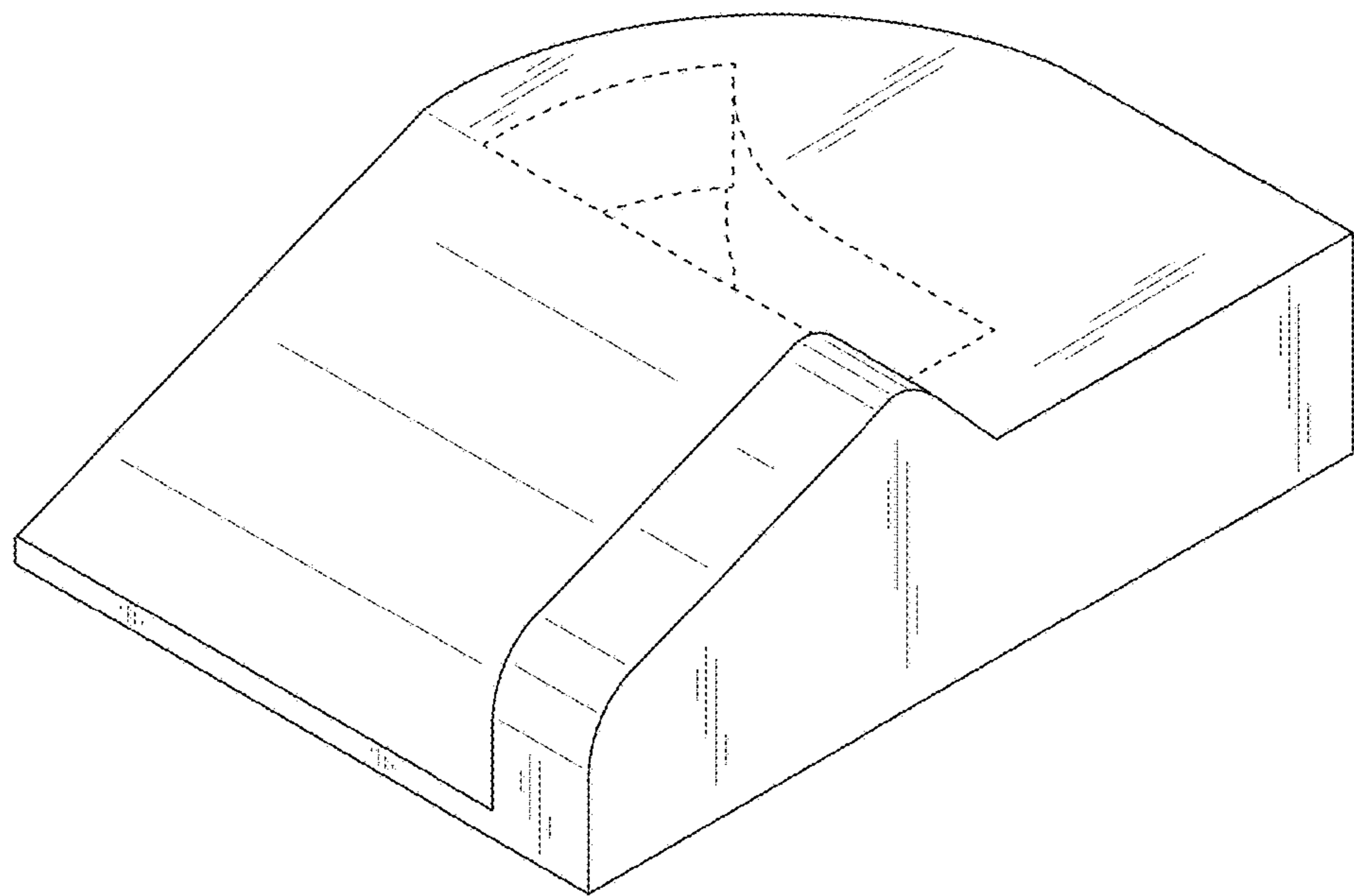


FIG. 50

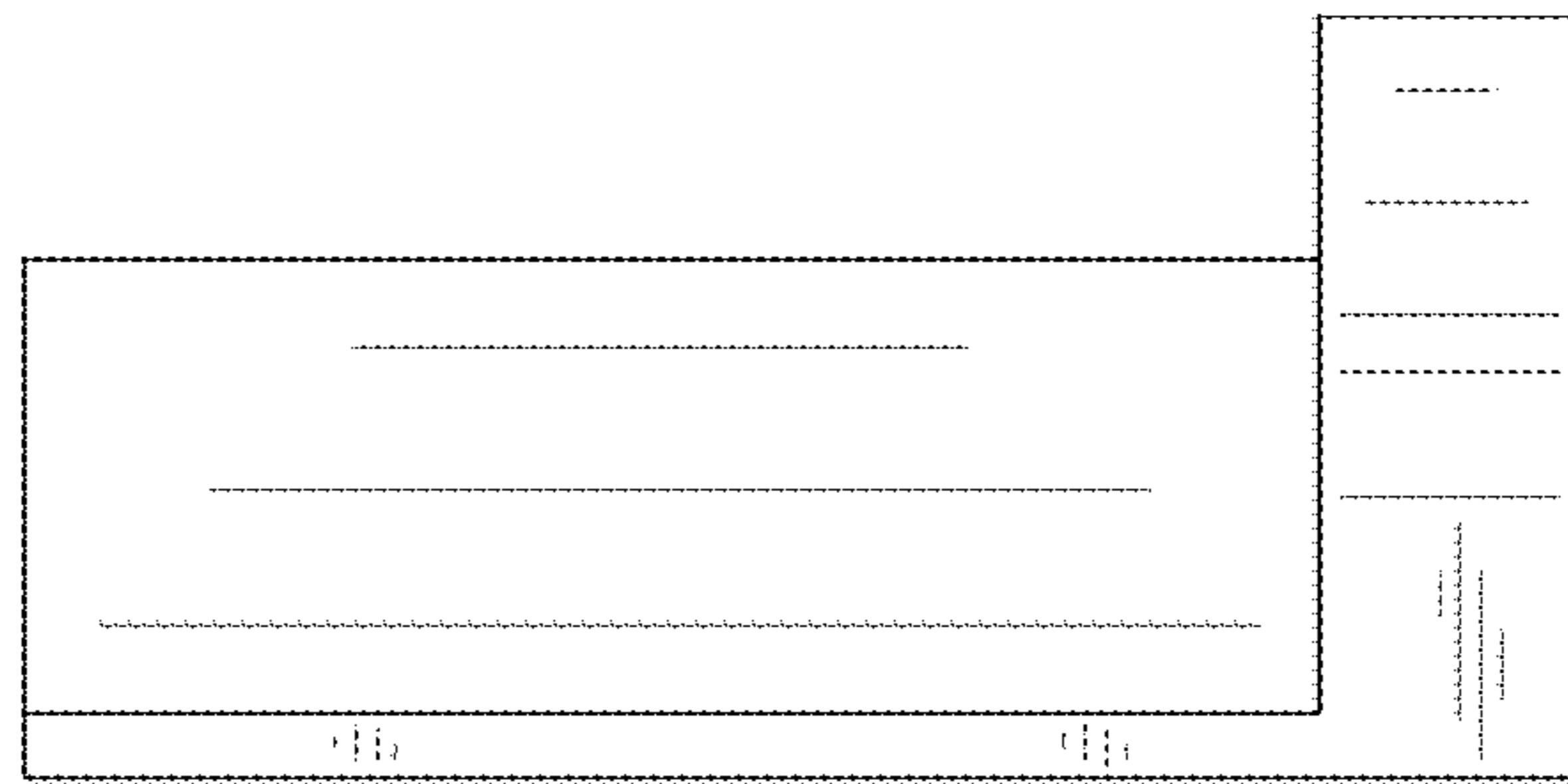


FIG. 51

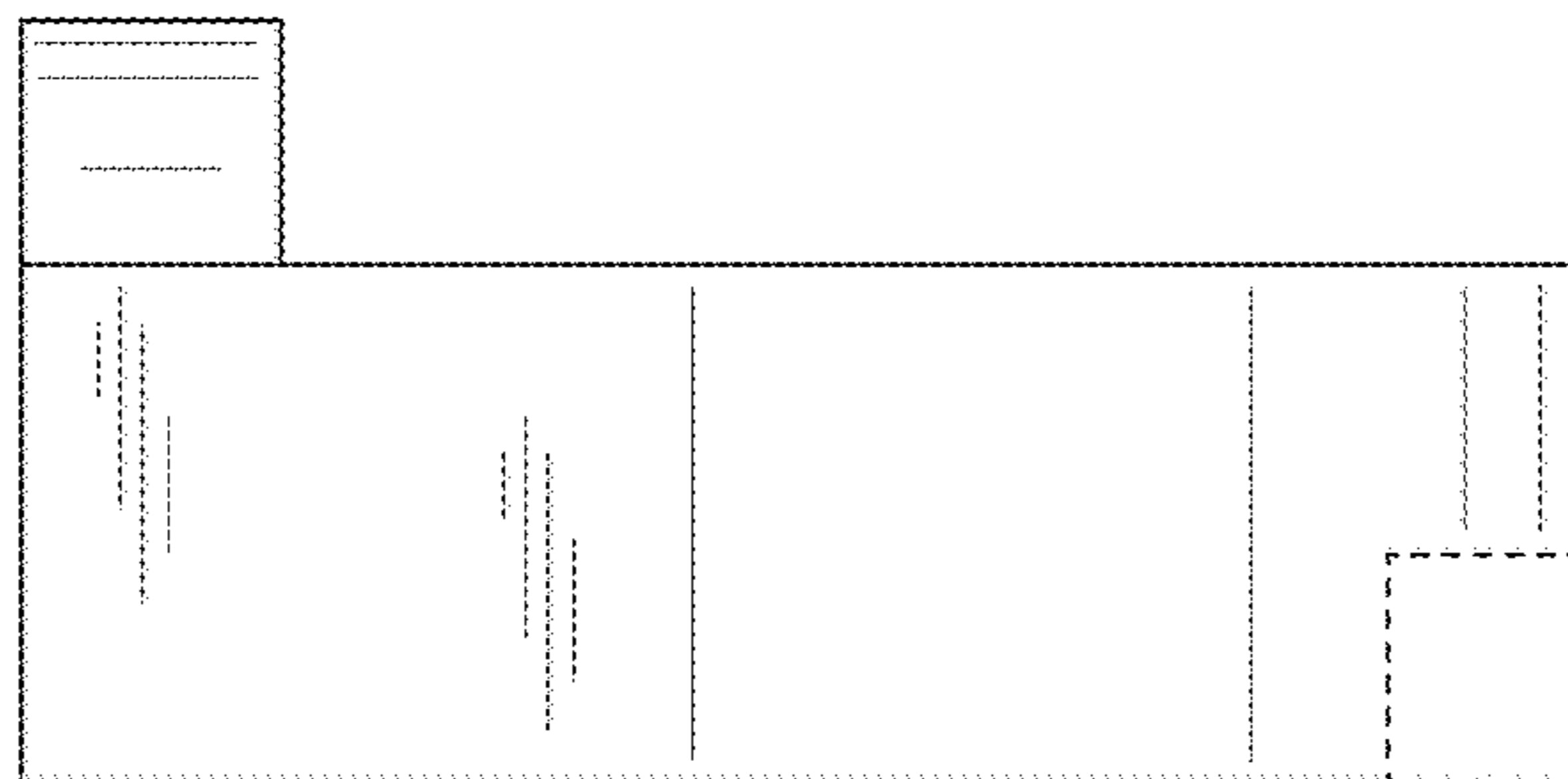


FIG. 52



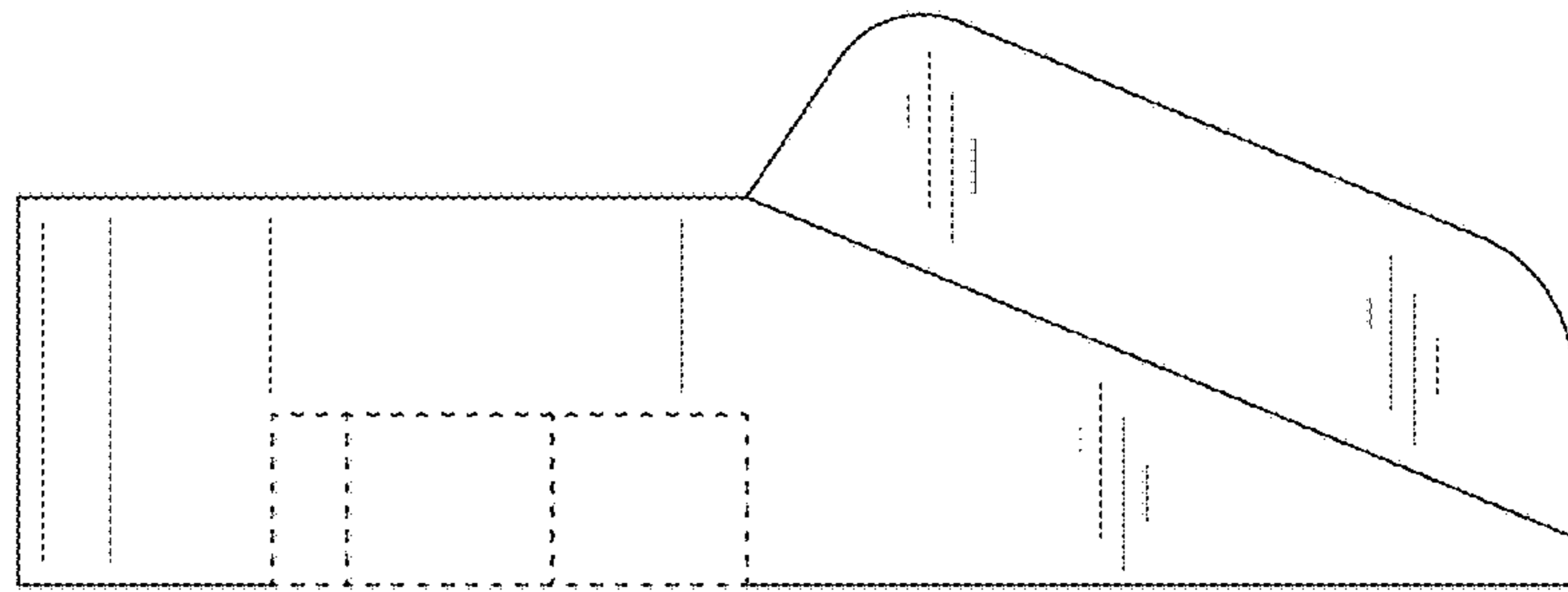


FIG. 53

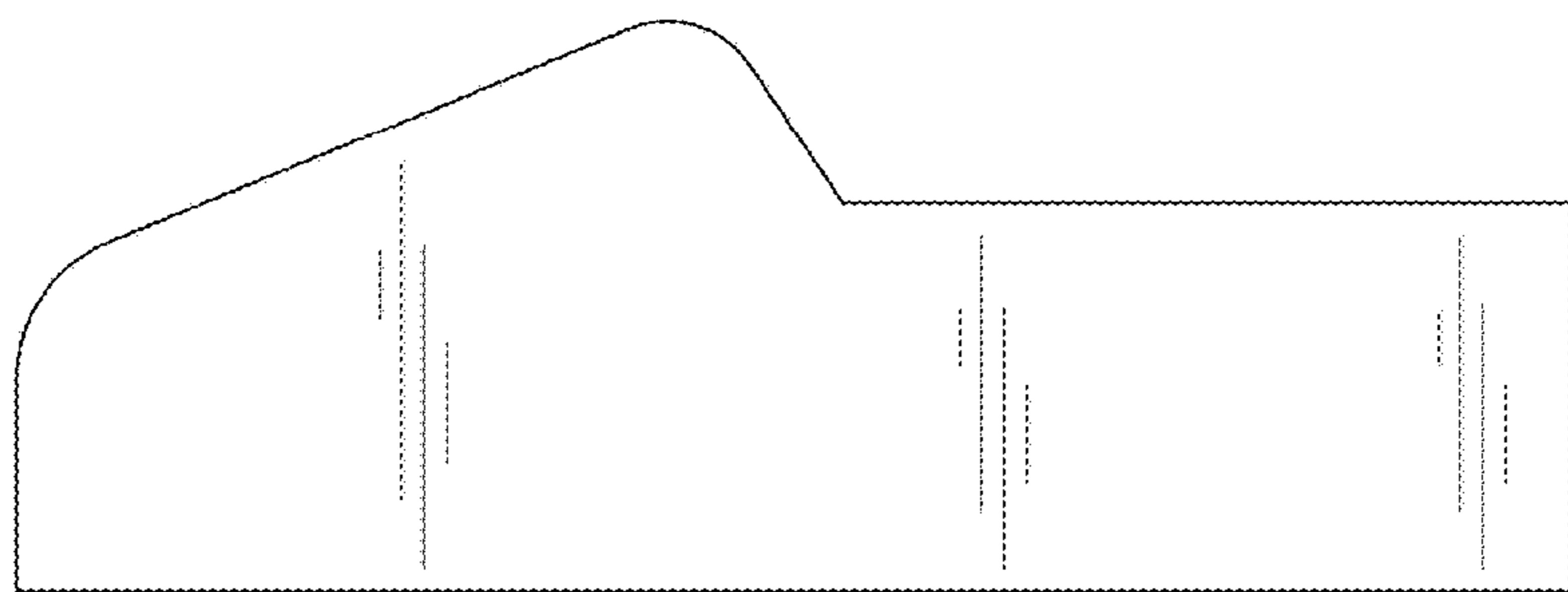


FIG. 54

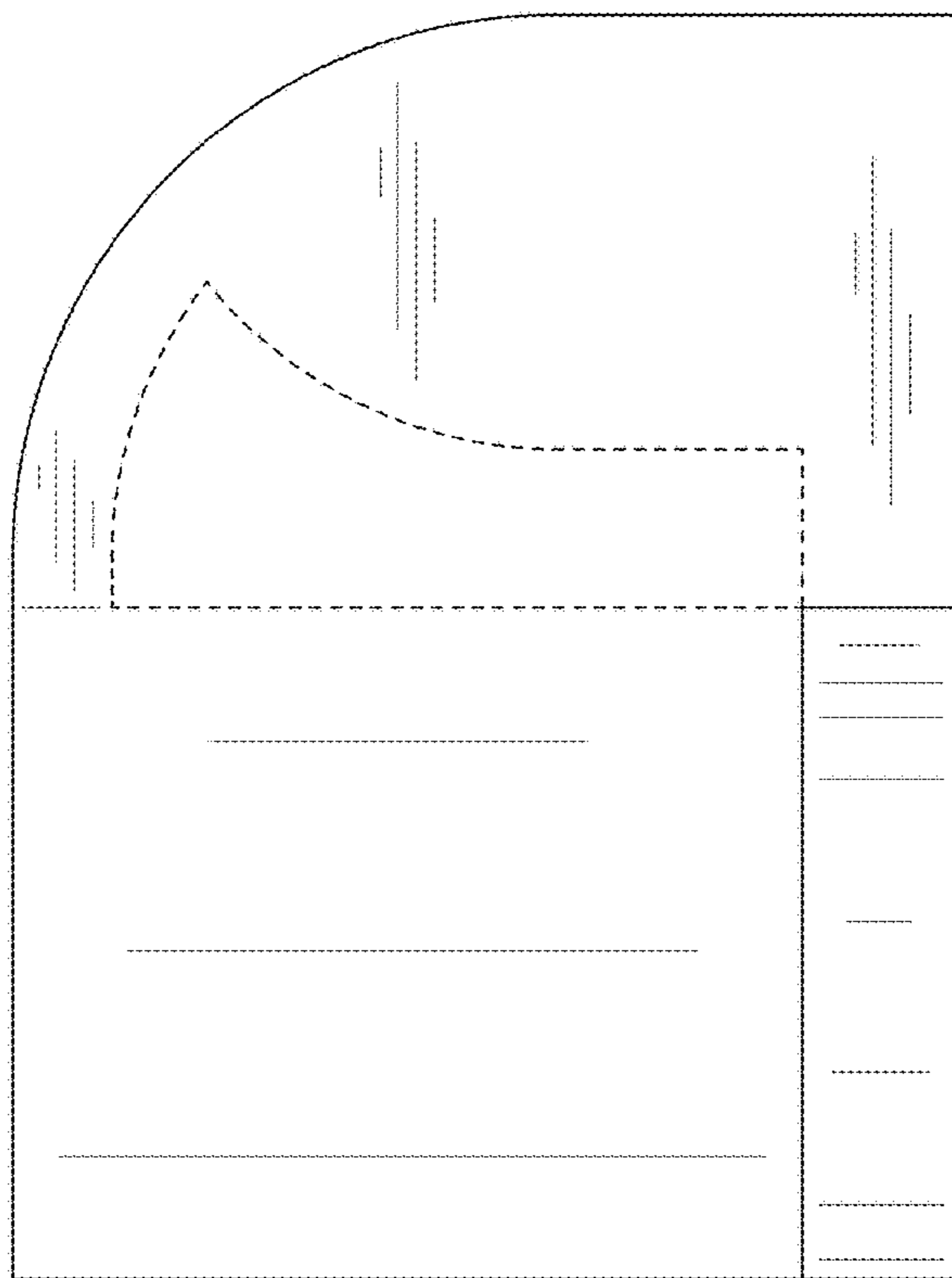


FIG. 55

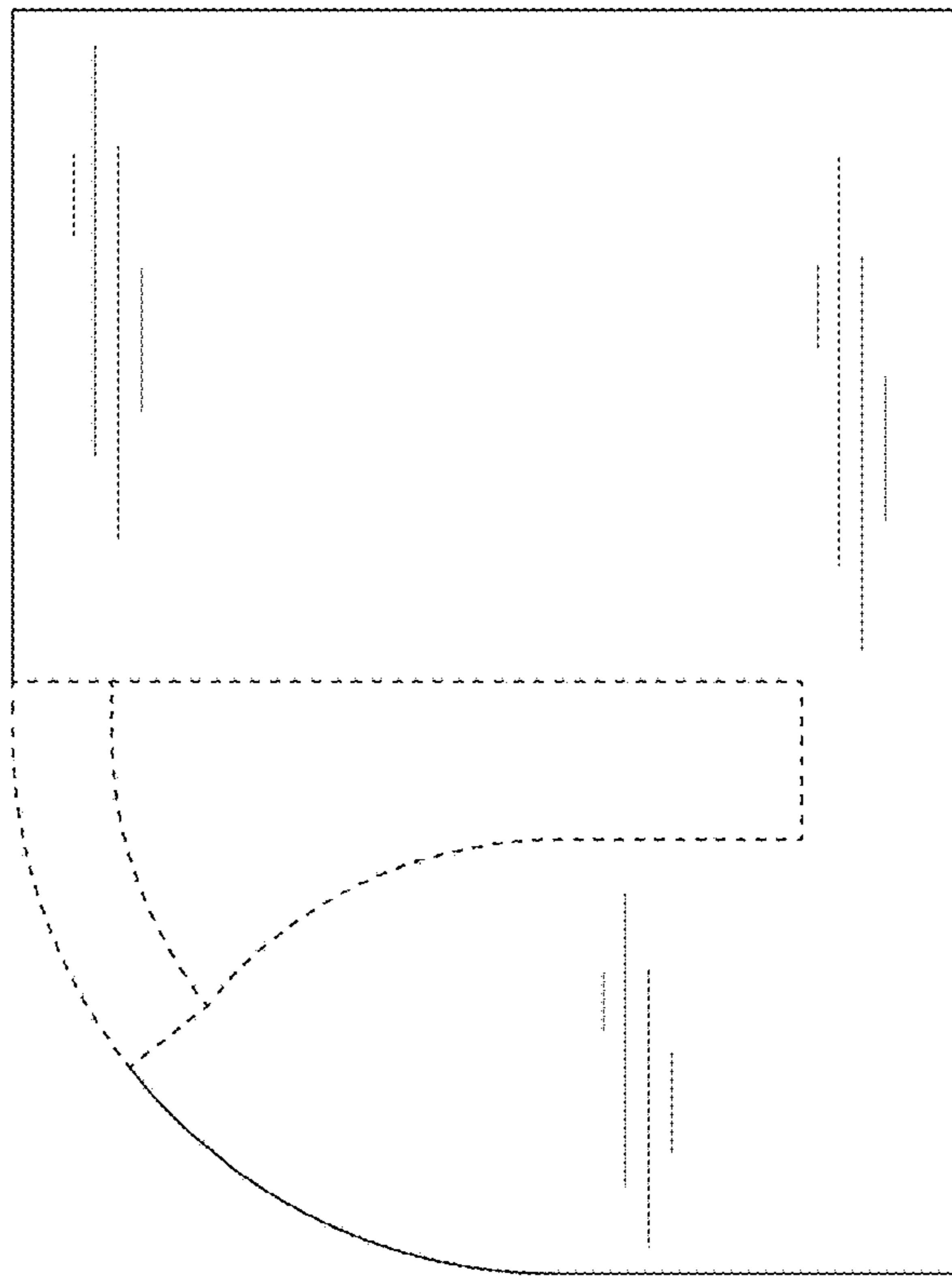


FIG. 56