



US00D841815S

(12) **United States Design Patent** (10) **Patent No.:** **US D841,815 S**
Smith et al. (45) **Date of Patent:** **** *Feb. 26, 2019**

(54) **X-RAY MARKER WITH A SLIDER**

(71) Applicant: **XRAYDEPOT LLC**, Stafford, VA (US)

(72) Inventors: **Van N. Smith**, Stafford, VA (US);
Kasey Smith, Stafford, VA (US)

(73) Assignee: **XRAYDEPOT LLC**, Stafford, VA (US)

(*) Notice: This patent is subject to a terminal disclaimer.

(**) Term: **15 Years**

(21) Appl. No.: **29/604,451**

(22) Filed: **May 17, 2017**

(51) **LOC (11) Cl.** **24-01**

(52) **U.S. Cl.**
USPC **D24/158**

(58) **Field of Classification Search**
USPC D24/158-161, 186, 187, 231, 140;
D8/394
CPC G03B 42/042; A61B 2090/392; A61B
2090/3937; A61B 2090/3929; A61B
2090/395; A61B 2090/3966; A61N
5/1051

See application file for complete search history.

(56) **References Cited**

U.S. PATENT DOCUMENTS

2,018,175	A *	10/1935	Knight	G03B 42/047
					378/165
4,127,774	A *	11/1978	Gillen	G03B 42/047
					378/162
4,429,412	A *	1/1984	Pierce	G03B 42/047
					378/165
4,543,091	A *	9/1985	Froning	A61B 90/39
					248/297.51
5,592,527	A *	1/1997	Ray	G03B 42/047
					378/162
5,640,438	A *	6/1997	Talluto	G03B 42/047
					378/162
D415,566	S *	10/1999	Joyner	D24/158

(Continued)

Primary Examiner — Anhdao Doan

(74) *Attorney, Agent, or Firm* — Charisse L. Hines, Esq.

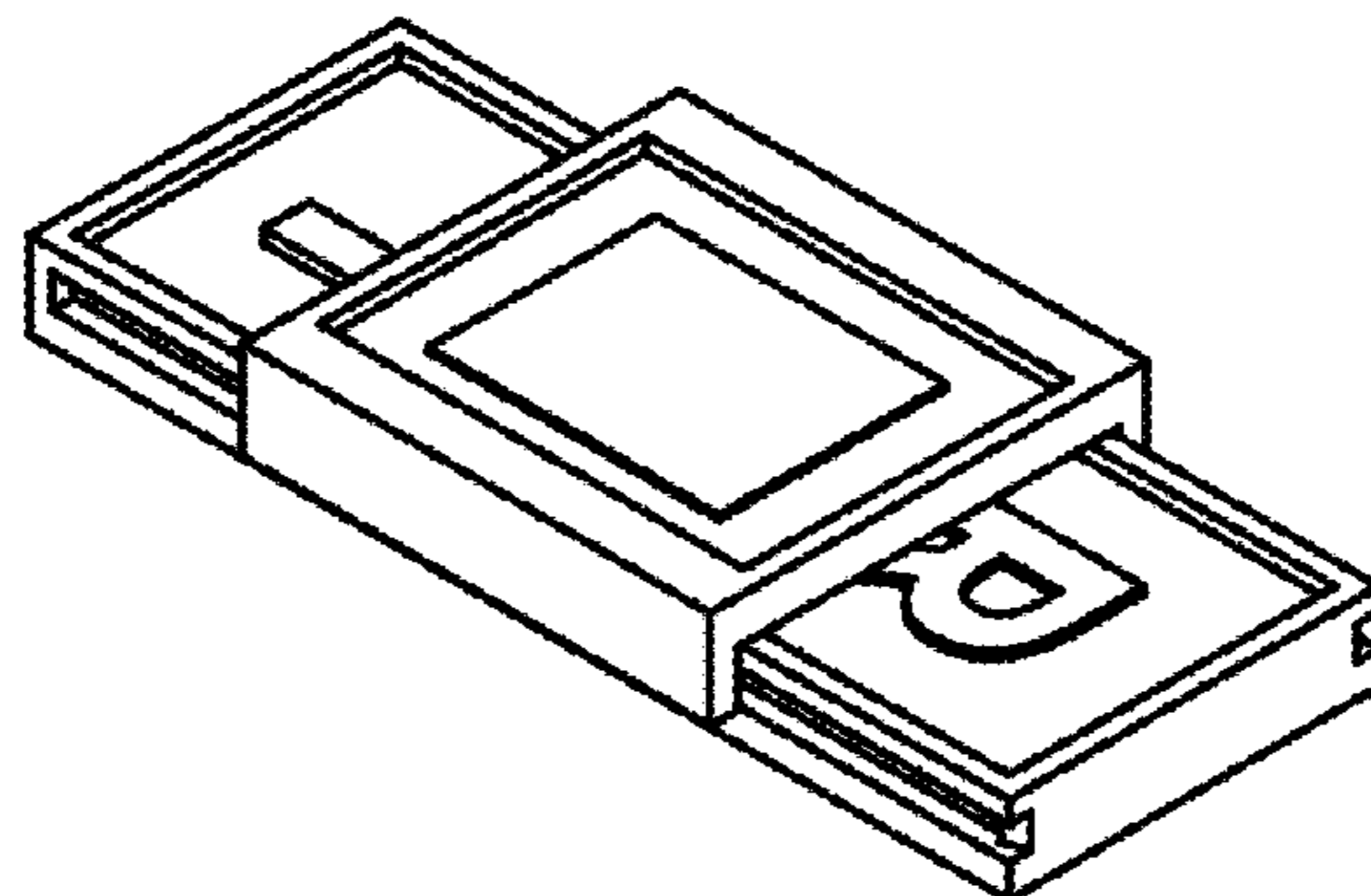
(57) **CLAIM**

The ornamental design for an X-ray marker with a slider, as shown and described.

DESCRIPTION

FIG. 1 is a left side perspective view of an X-ray marker with a slider showing our new design;
FIG. 2 is a left side perspective view of FIG. 1 shown in an alternate position;
FIG. 3 is a left side perspective view of FIG. 1 shown in an alternate position;
FIG. 4 is a front elevational view thereof;
FIG. 5 is a front elevational view of FIG. 4 shown in an alternate position;
FIG. 6 is a front elevational view of FIG. 4 shown in an alternate position;
FIG. 7 is a rear elevational view thereof;
FIG. 8 is a rear elevational view of FIG. 7 shown in an alternate position;
FIG. 9 is a rear elevational view of FIG. 7 shown in an alternate position;
FIG. 10 is a left side elevational view thereof;
FIG. 11 is a left side elevational view of FIG. 10 shown in an alternate position;
FIG. 12 is a left side elevational view of FIG. 10 shown in an alternate position;
FIG. 13 is a right side elevational view thereof;
FIG. 14 is a right side elevational view of FIG. 13 shown in an alternate position;
FIG. 15 is a right side elevational view of FIG. 13 shown in an alternate position;
FIG. 16 is an enlarged top plan view thereof; and,
FIG. 17 is an enlarged bottom plan view thereof.

1 Claim, 4 Drawing Sheets



(56)

References Cited

U.S. PATENT DOCUMENTS

D424,198 S * 5/2000 Shepherd D24/158
D697,786 S * 1/2014 McMahon D8/383
D773,667 S * 12/2016 Morfa D24/158

* cited by examiner

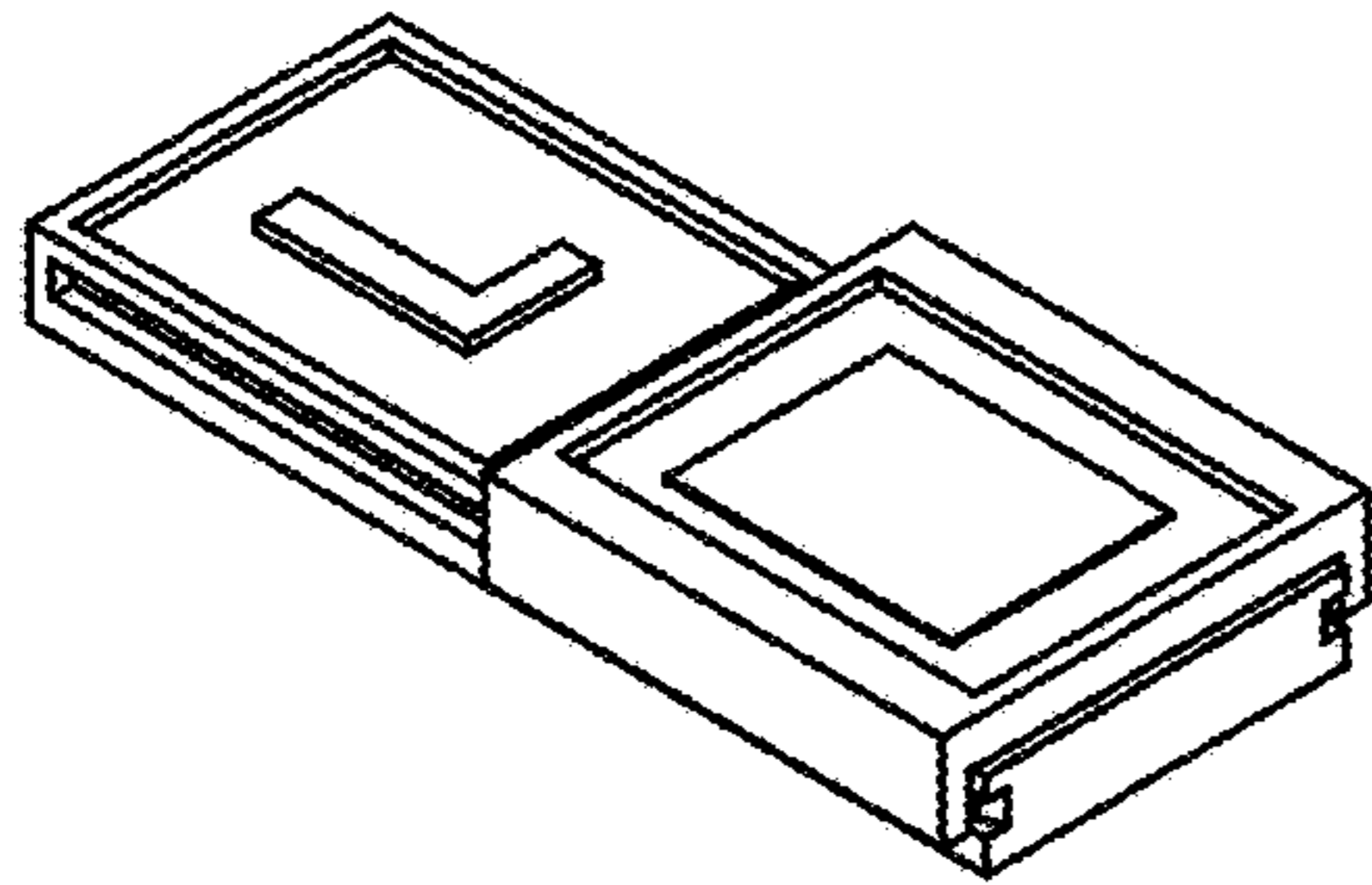


FIG. 1

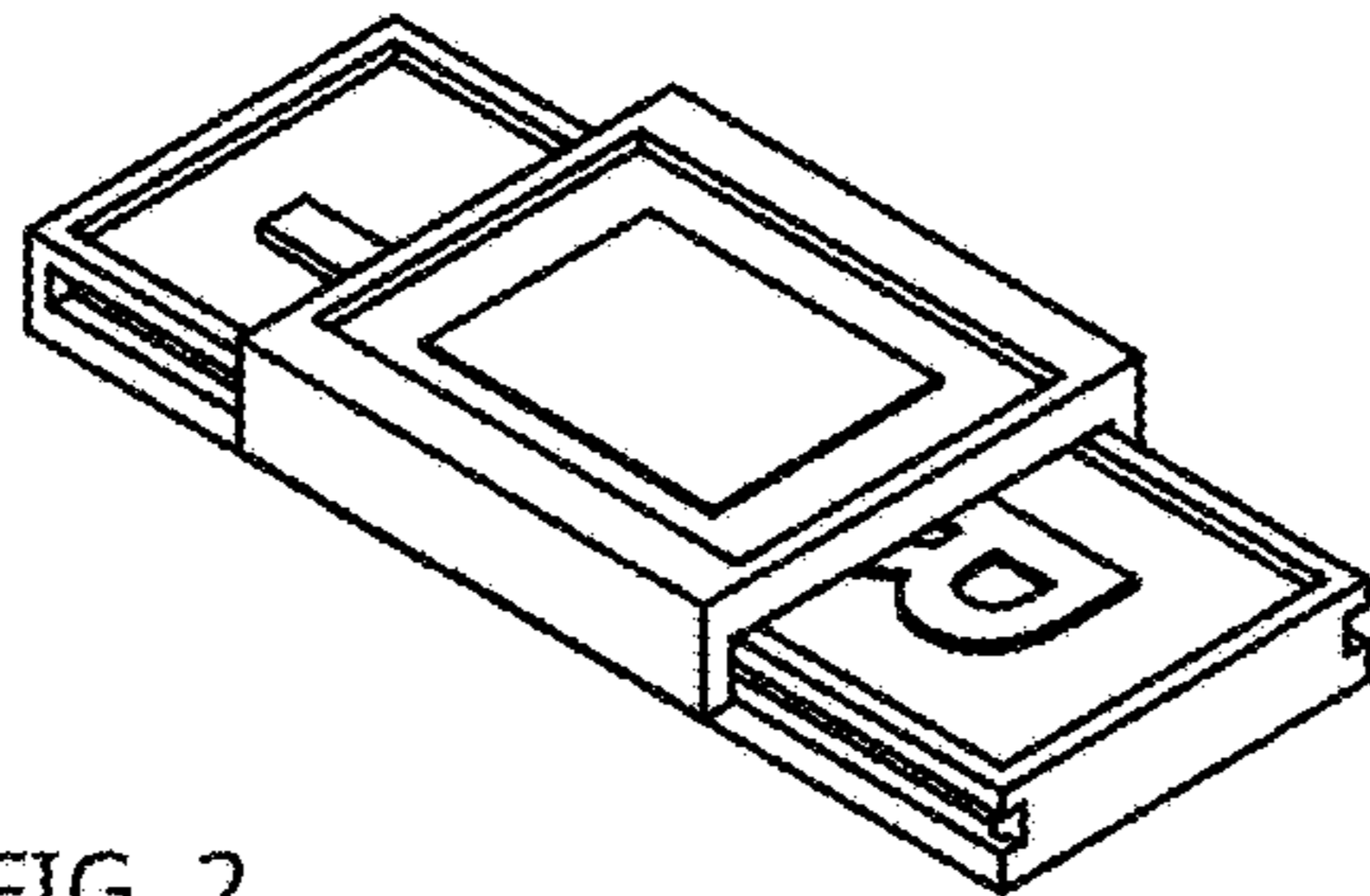


FIG. 2

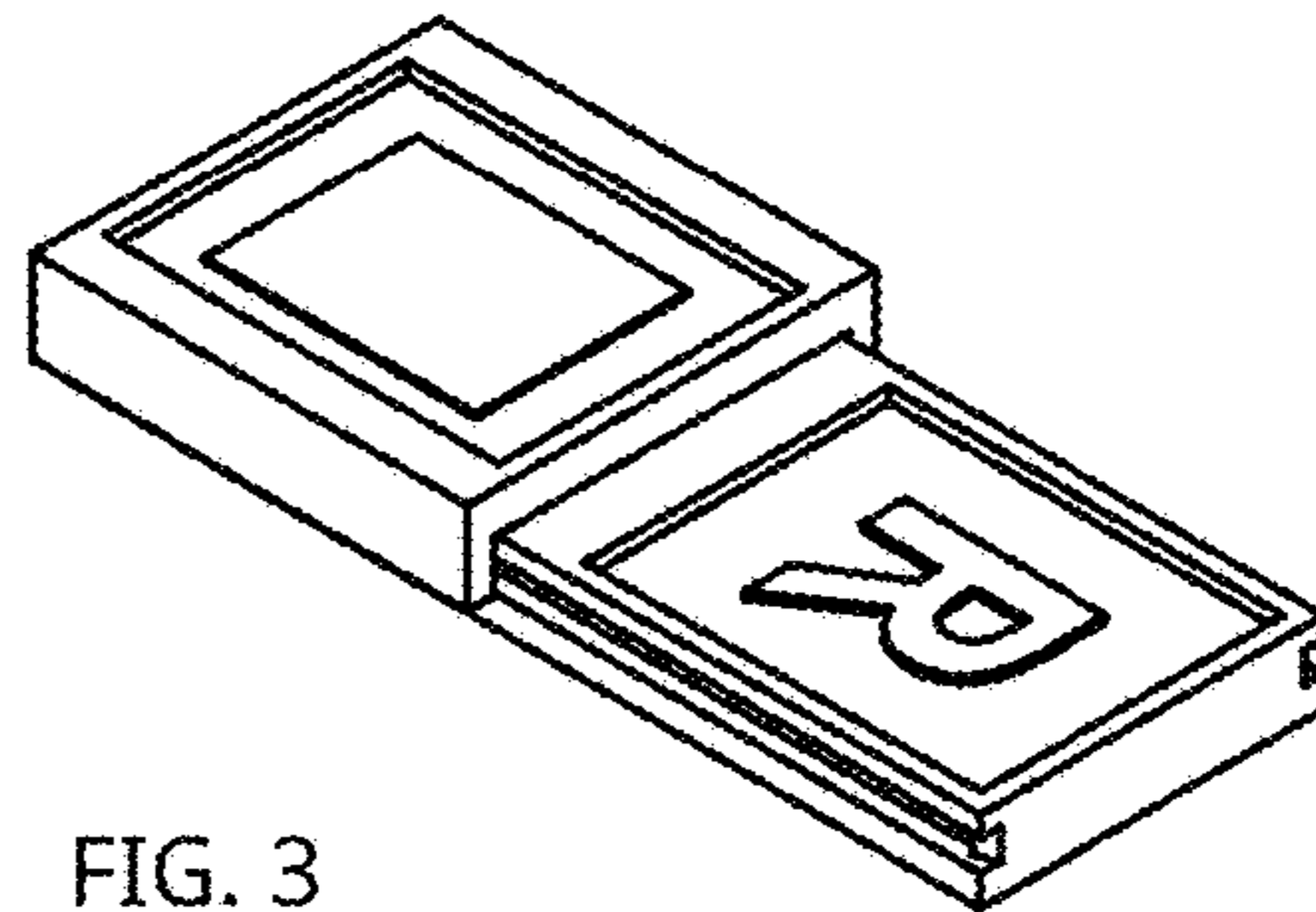


FIG. 3

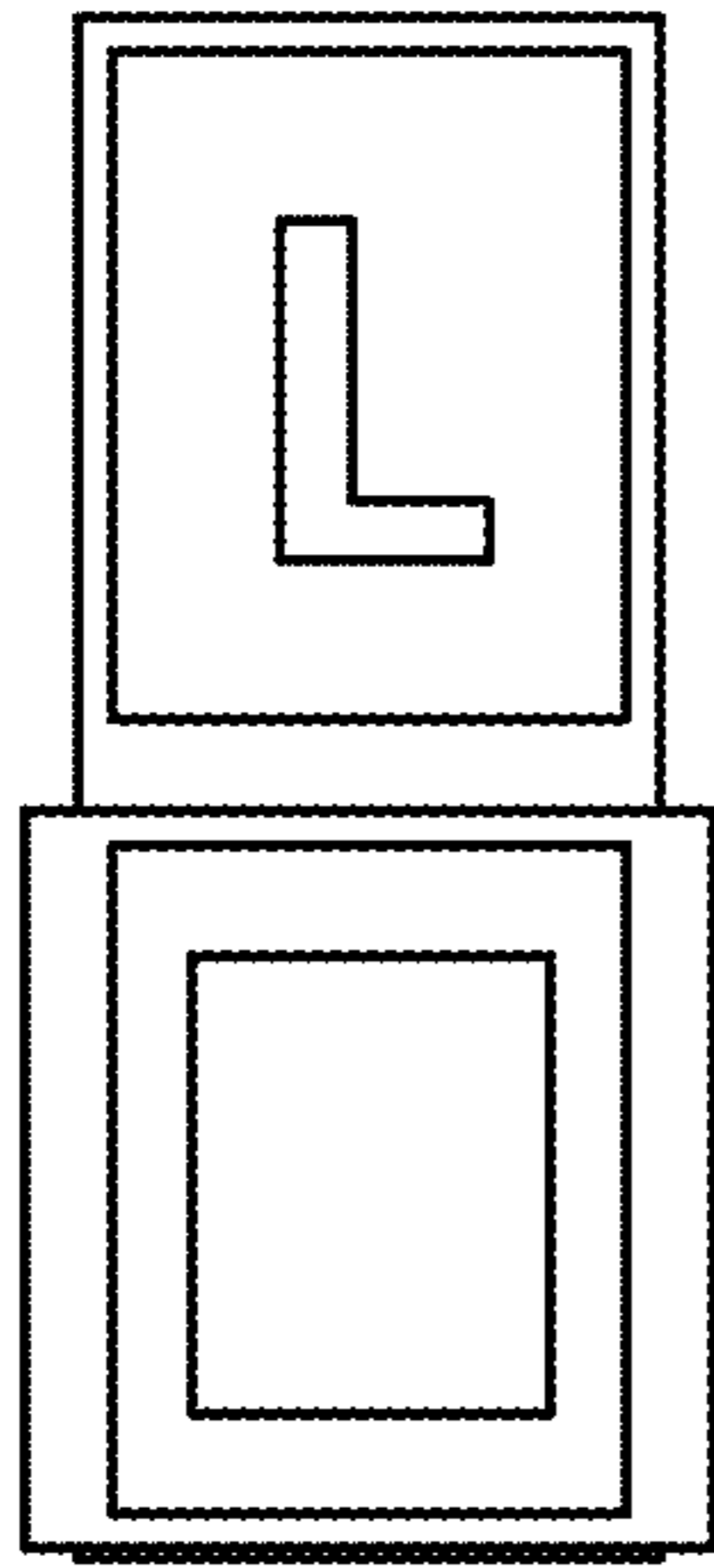


FIG. 4

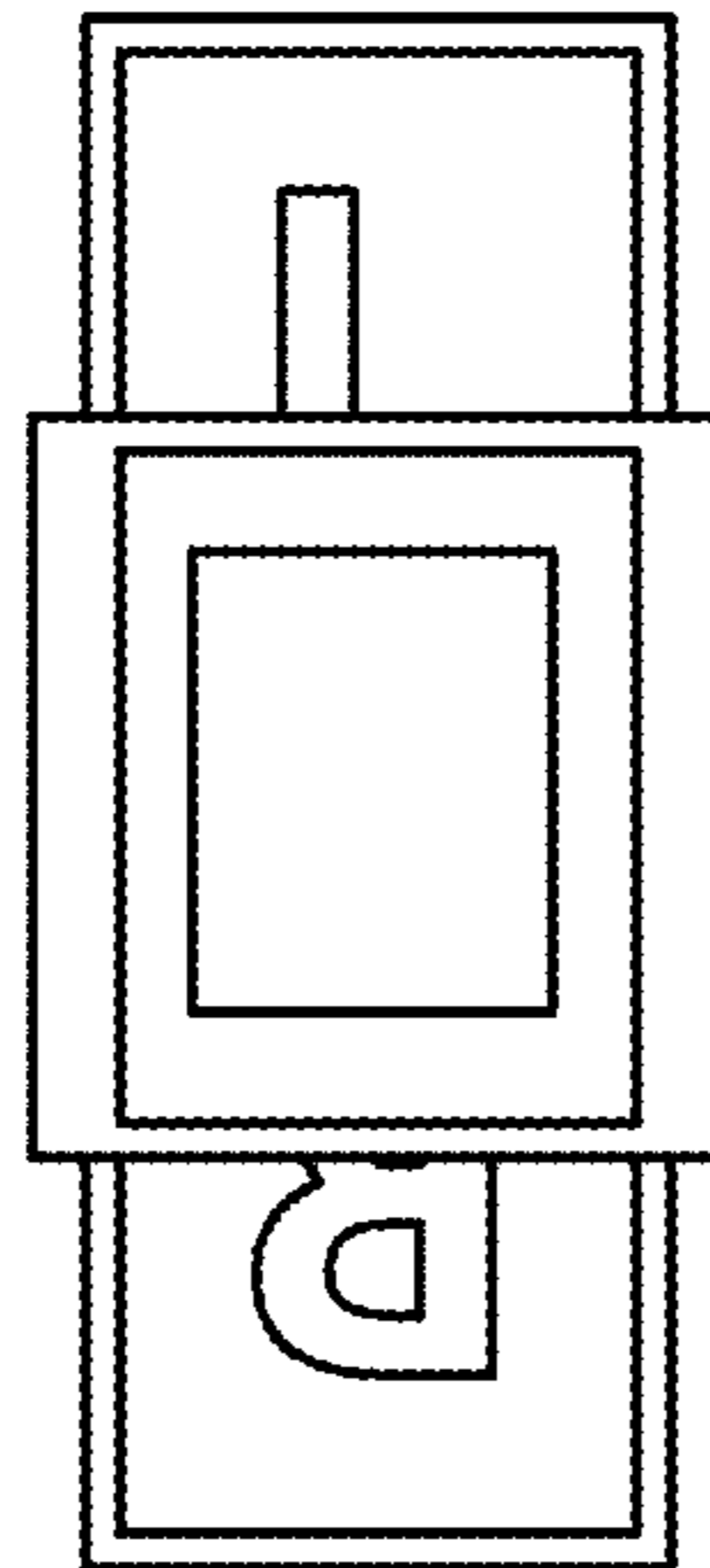


FIG. 5

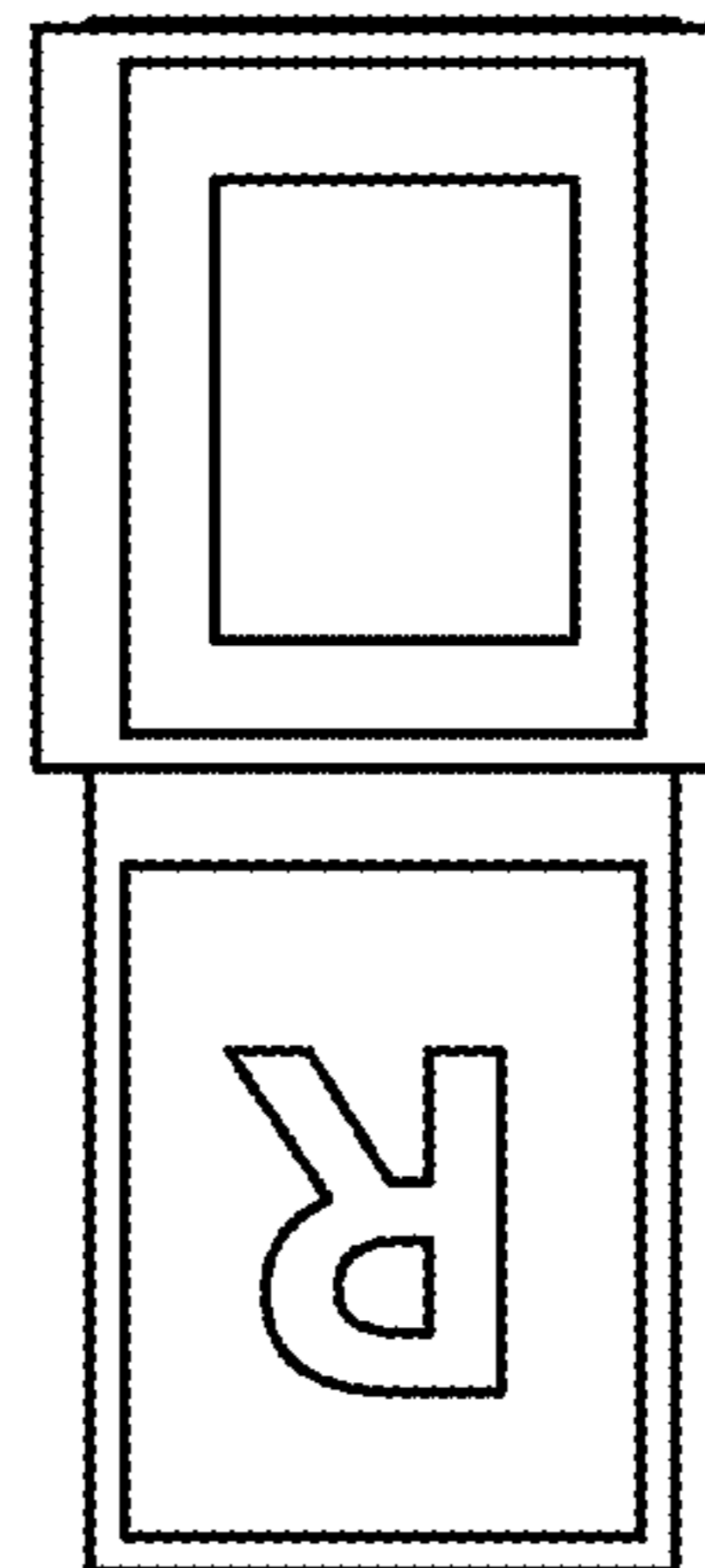


FIG. 6

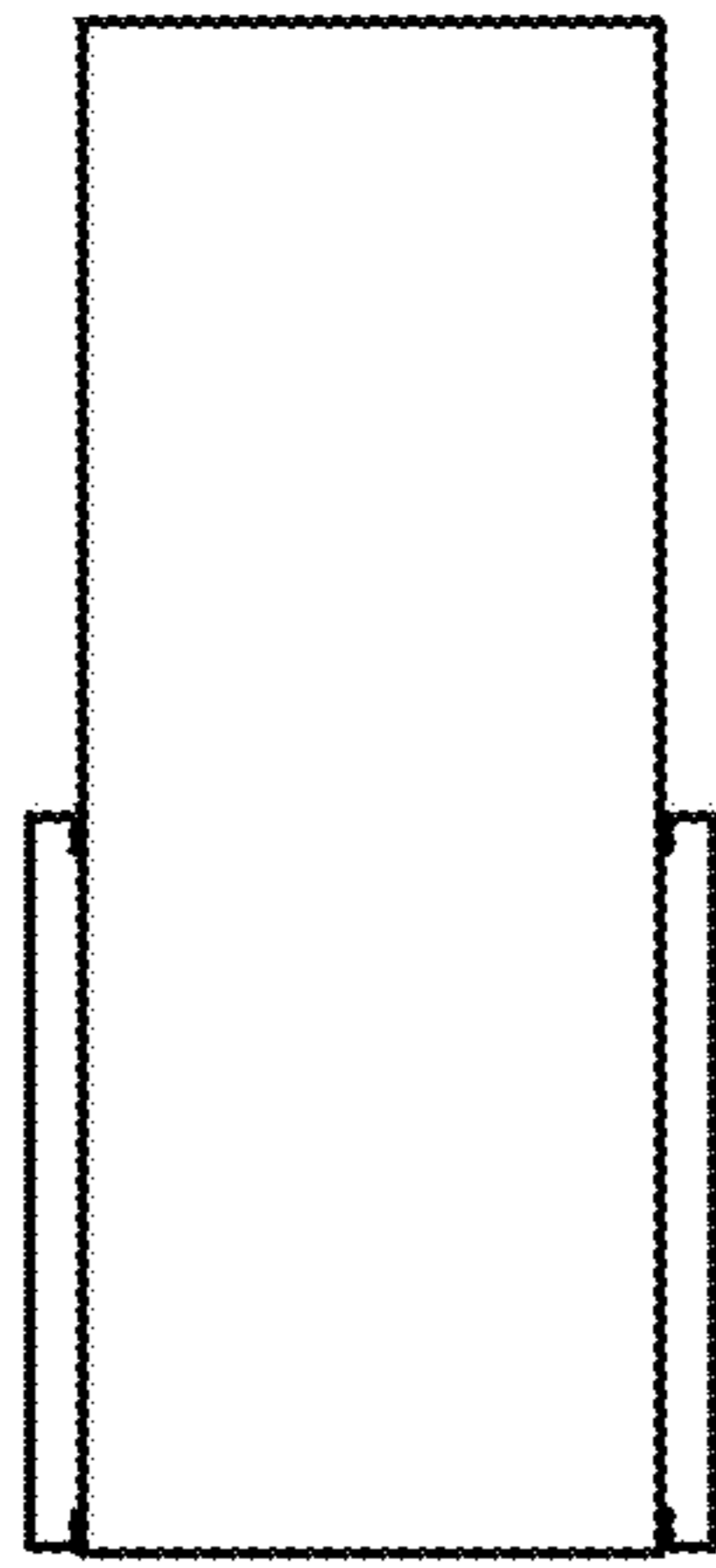


FIG. 7

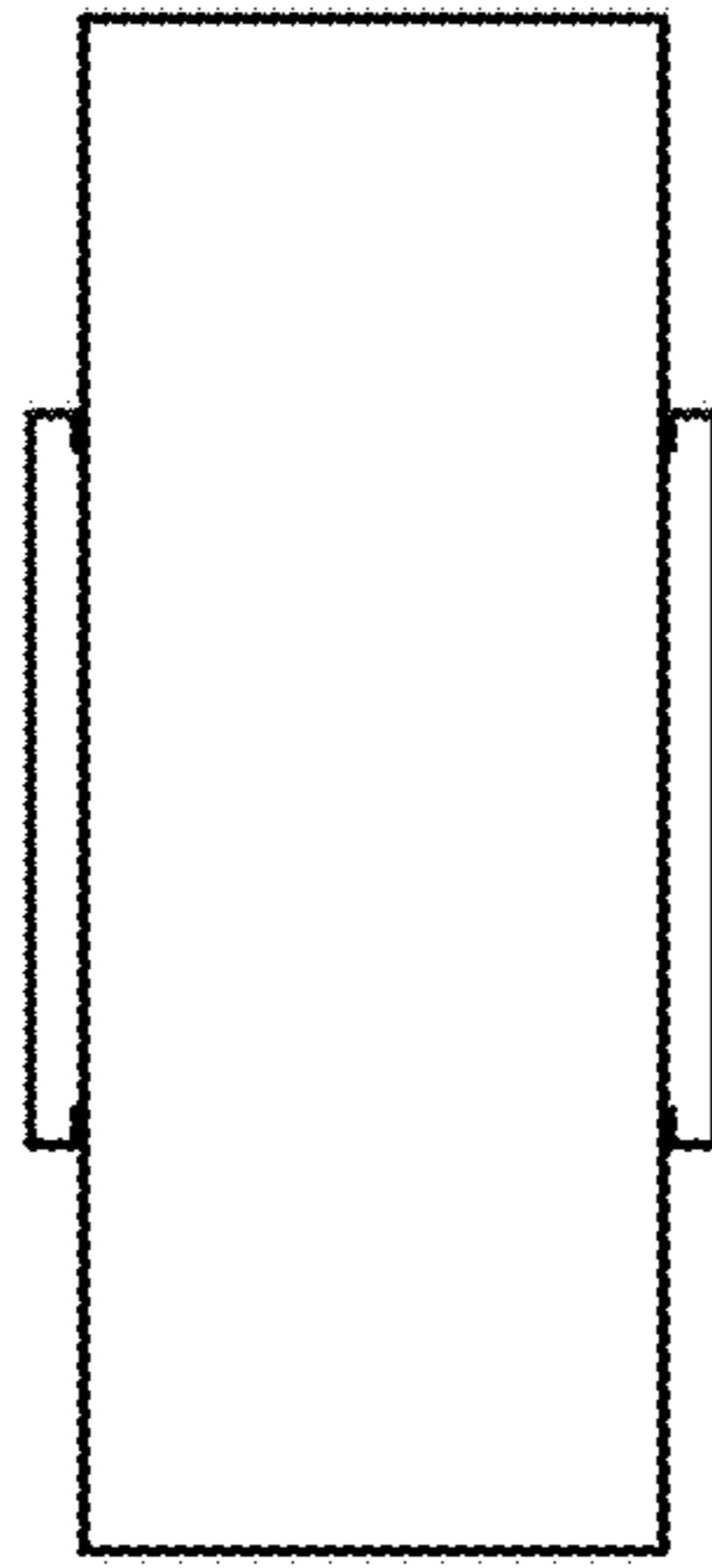


FIG. 8

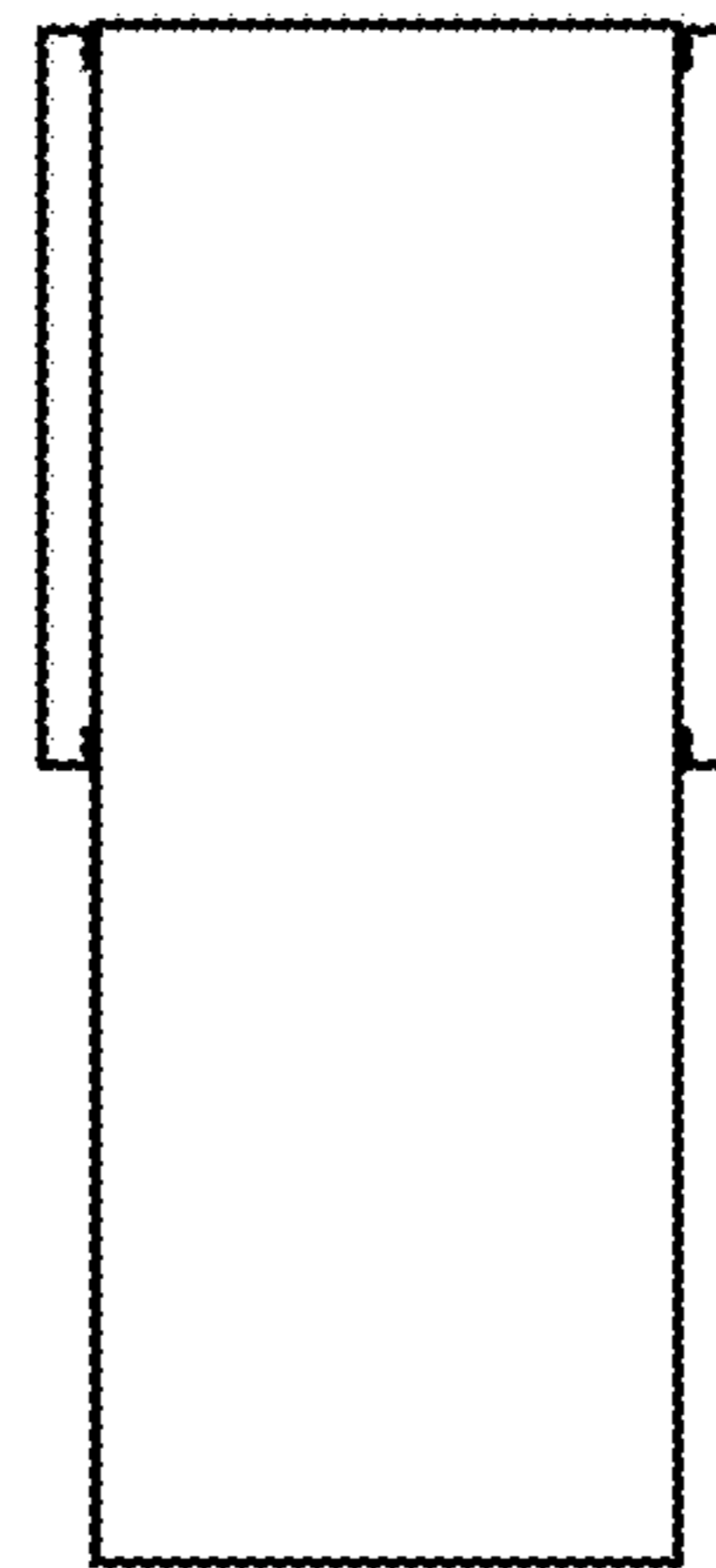


FIG. 9

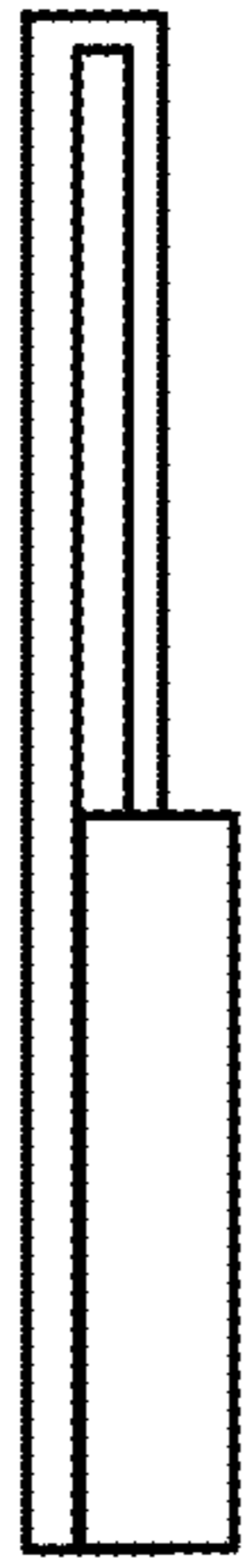


FIG. 10



FIG. 11



FIG. 12



FIG. 13

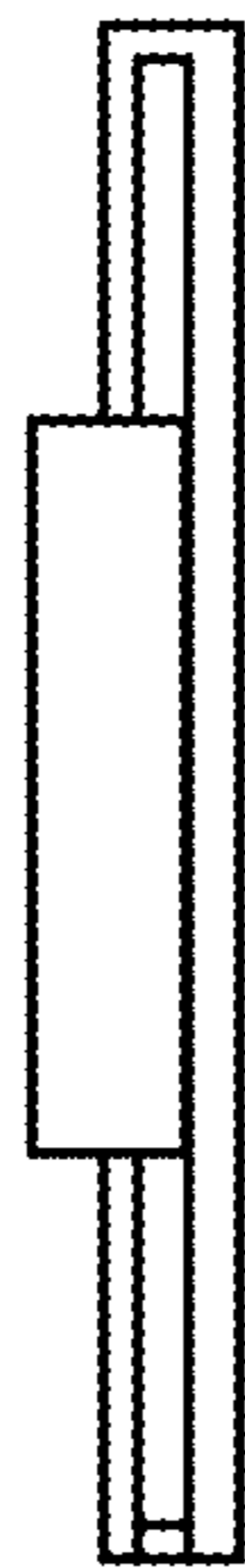


FIG. 14

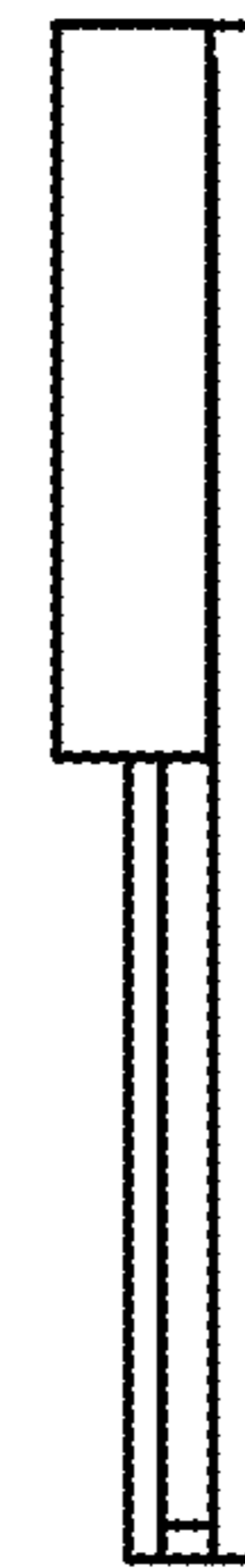


FIG. 15



FIG. 16

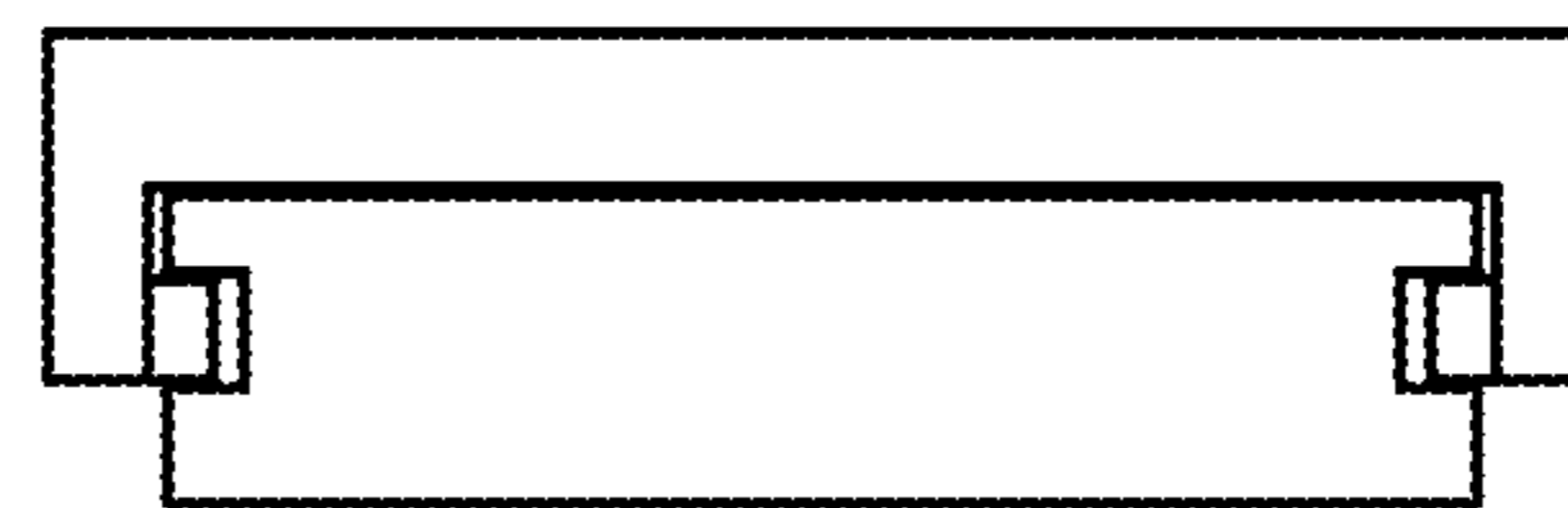


FIG. 17