



US00D841814S

(12) **United States Design Patent** (10) **Patent No.:** **US D841,814 S**
Ledet et al. (45) **Date of Patent:** **** Feb. 26, 2019**

(54) **SPACER**

- (71) Applicant: **REVIVO MEDICAL, LLC**, Loudonville, NY (US)
- (72) Inventors: **Eric H. Ledet**, Schenectady, NY (US); **Glenn Patrick Sanders**, Sand Lake, NY (US)
- (73) Assignee: **REVIVO MEDICAL, LLC**, Loudonville, NY (US)
- (**) Term: **15 Years**
- (21) Appl. No.: **29/640,916**
- (22) Filed: **Mar. 19, 2018**

Related U.S. Application Data

- (63) Continuation of application No. 14/776,988, filed as application No. PCT/US2014/030596 on Mar. 17, 2014.
- (51) **LOC (11) Cl.** **24-03**
- (52) **U.S. Cl.**
USPC **D24/155**
- (58) **Field of Classification Search**
USPC D24/155

(Continued)

(56) **References Cited**

U.S. PATENT DOCUMENTS

- 5,554,191 A 9/1996 Lahille
- D595,853 S * 7/2009 Hanson A61F 2/447
D24/155

(Continued)

FOREIGN PATENT DOCUMENTS

- EP 1099428 A2 5/2001
- JP H07213533 8/1995

(Continued)

OTHER PUBLICATIONS

Extended European Search Report issued by the EPO for European Patent Application No. 14763706.0 dated Oct. 26, 2016.

(Continued)

Primary Examiner — Charles D Hanson
(74) *Attorney, Agent, or Firm* — Heslin Rothenberg Farley & Mesiti P.C.

(57) **CLAIM**

The ornamental design for a spacer, as shown and described.

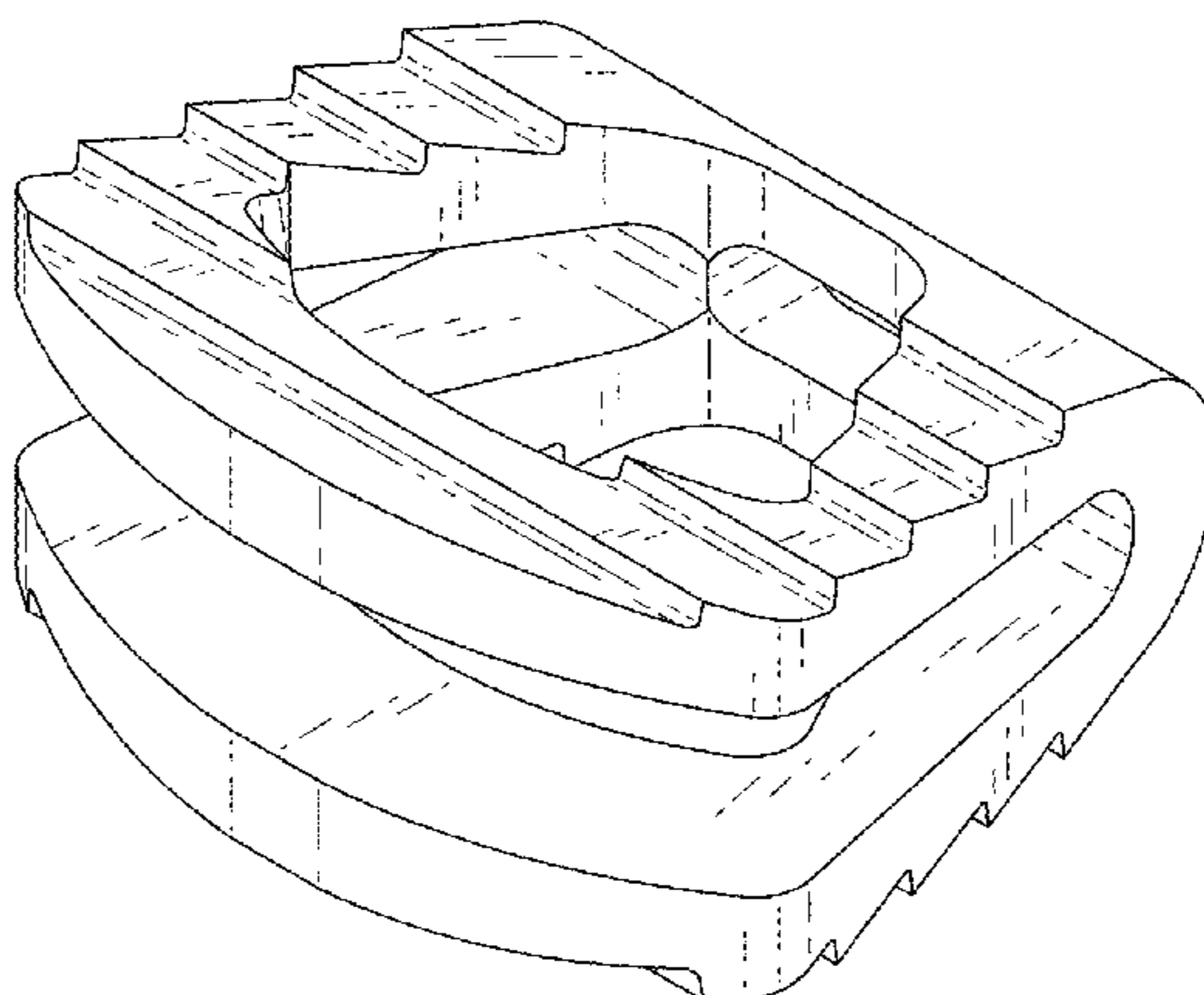
DESCRIPTION

FIG. 1 is a front perspective view of the spacer comprising the new design;
 FIG. 2 is a back perspective view of the design of FIG. 1;
 FIG. 3 is a top view of the design of FIG. 1, wherein the bottom view is a mirror image thereof;
 FIG. 4 is a left side elevational view of the design of FIG. 1, wherein the right side elevational view is a mirror image thereof;
 FIG. 5 is a front elevational view of the design of FIG. 1; and
 FIG. 6 is a back elevational view of the design of FIG. 1.
 FIG. 7 is a front perspective view of an alternative embodiment of the spacer of FIG. 1;
 FIG. 8 is a back perspective view of the design of FIG. 7;
 FIG. 9 is a top view of the design of FIG. 7, wherein the bottom view is a mirror image thereof;
 FIG. 10 is a left side elevational view of the design of FIG. 7, wherein the right side elevational view is a mirror image thereof;
 FIG. 11 is a front side elevational view of the design of FIG. 7; and,
 FIG. 12 is a back side elevational view of the design of FIG. 7.

The broken lines shown in the figures are directed to the environment and are for illustrative purposes only and form no part of the claimed spacer invention.

The relatively light uneven broken lines shown in the figures represent contour, not surface decoration.

1 Claim, 8 Drawing Sheets



US D841,814 S

Page 2

(58) **Field of Classification Search**

CPC A61F 2/4611; A61F 2/442; A61F 2/447;
A61F 2220/0025; A61F 2310/00023;
A61F 2310/00017; A61F 2002/4475;
A61F 2002/30841; A61F 2002/2835;
A61F 2002/30904; A61F 2002/30785;
A61F 2002/443; A61F 2002/30578

See application file for complete search history.

(56)

References Cited

U.S. PATENT DOCUMENTS

D623,747 S * 9/2010 Horton A61F 2/442
D24/155
D623,750 S * 9/2010 Duffield D24/155
D631,967 S * 2/2011 Horton D24/155
8,021,430 B2 * 9/2011 Michelson A61F 2/30744
623/17.16

D653,757 S * 2/2012 Binder A61F 2/446
D24/155
D682,427 S * 5/2013 Farris A61F 2/447
D24/155
D692,136 S * 10/2013 Tyber D24/155
D708,747 S * 7/2014 Curran D24/155

FOREIGN PATENT DOCUMENTS

WO 9907312 2/1999
WO 2009129605 A1 10/2009

OTHER PUBLICATIONS

Japanese Office Action for 2016-503425 dated Dec. 26, 2017, 6 pages. Dec 26, 2017.

* cited by examiner

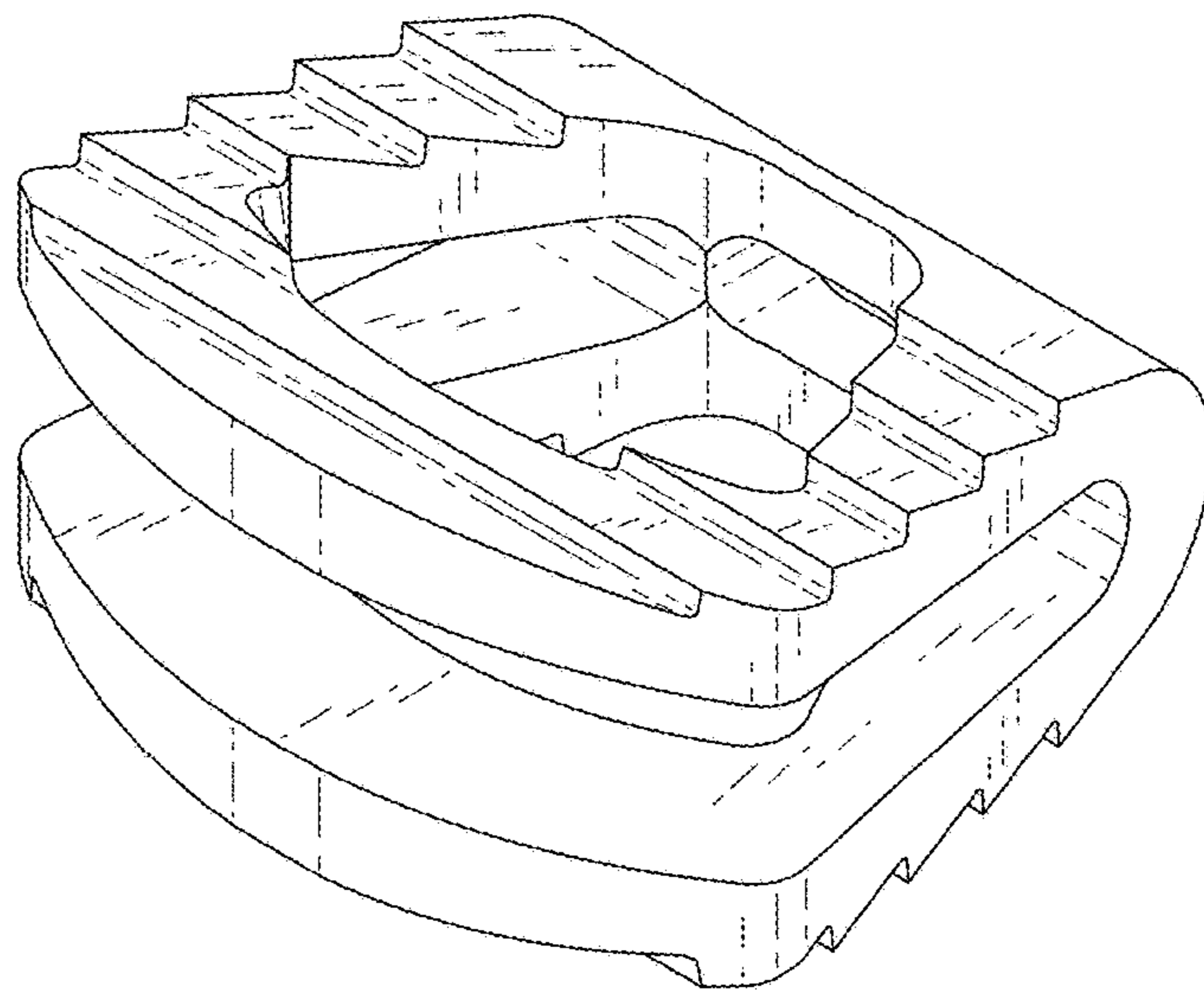


FIG. 1

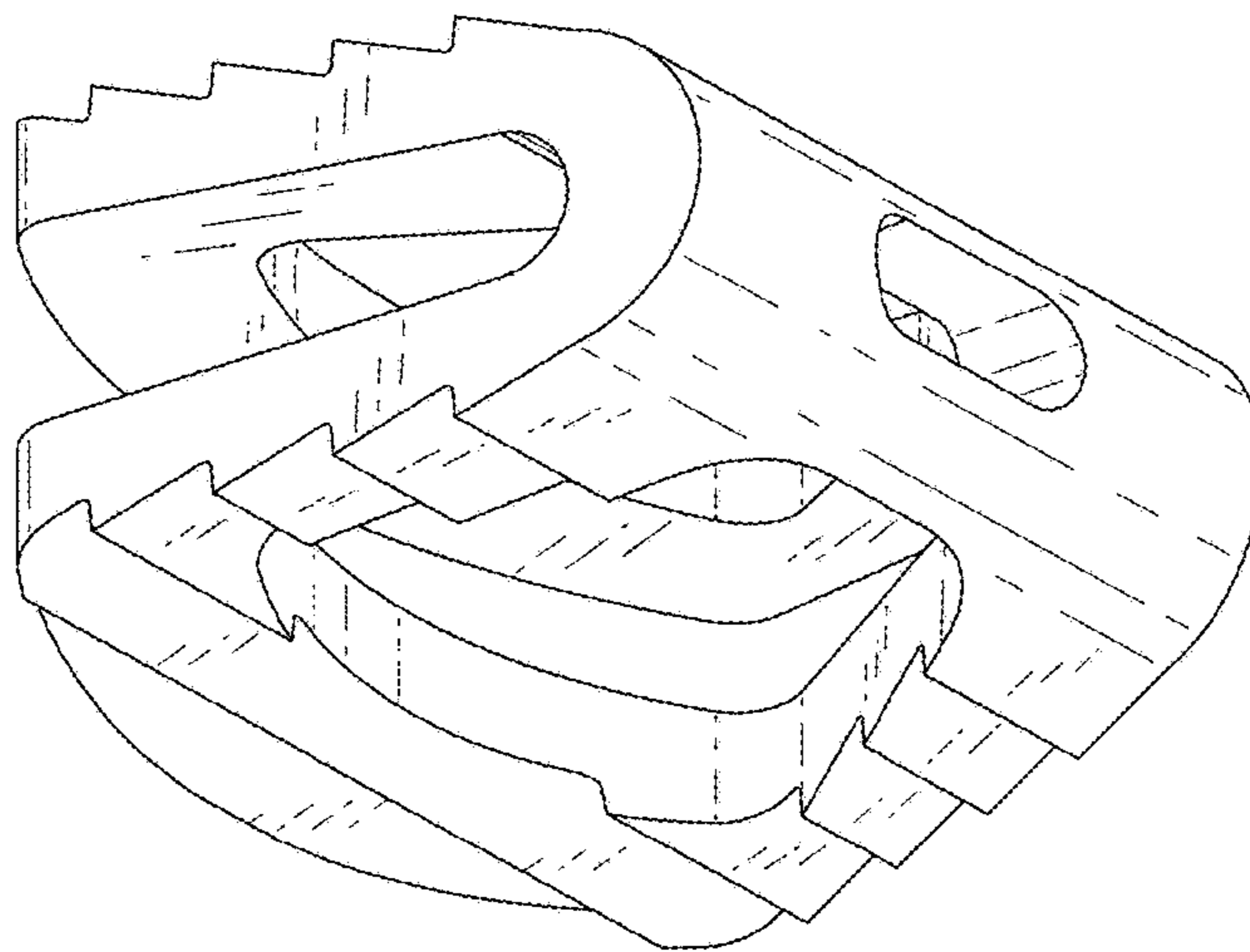


FIG. 2

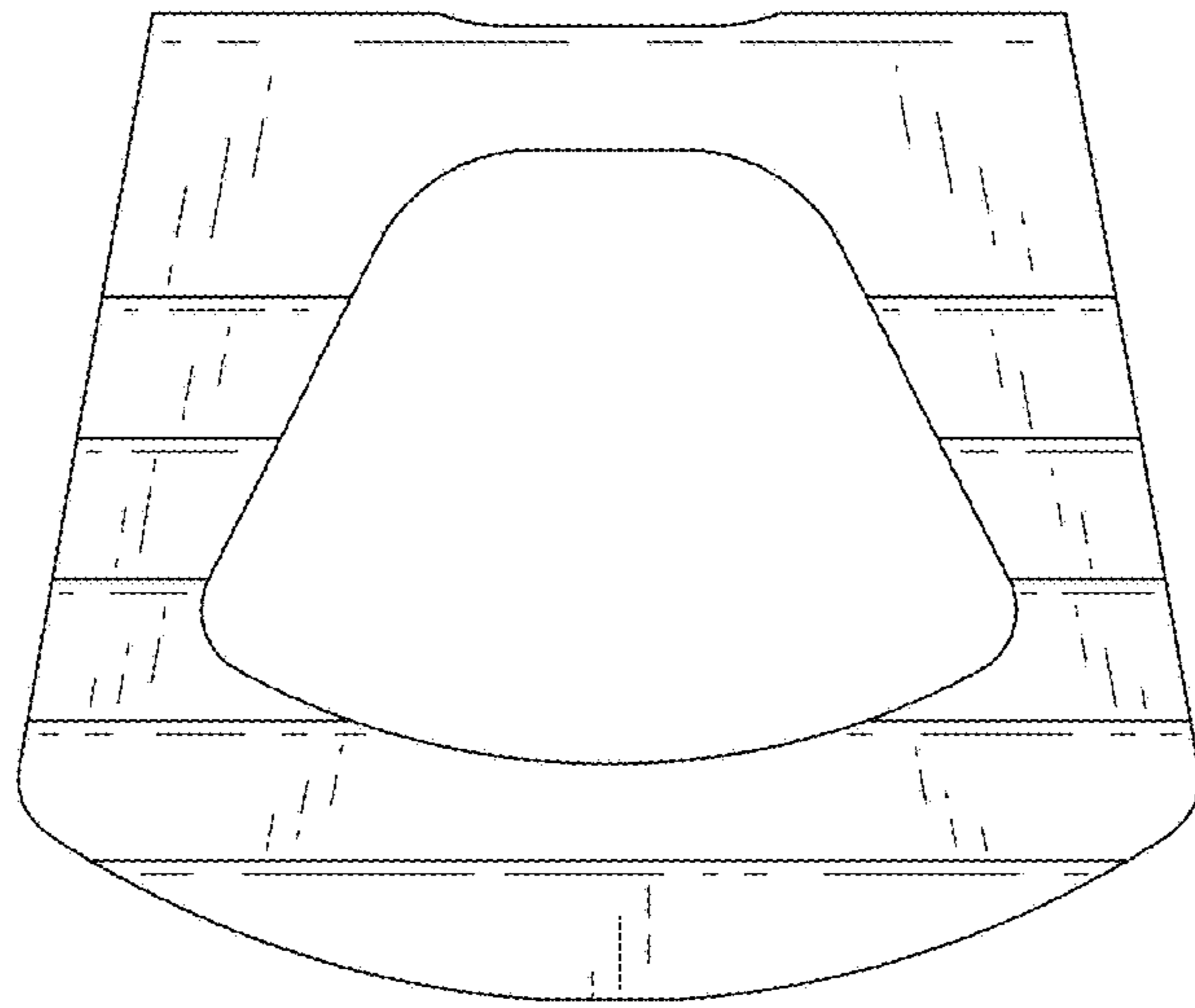


FIG. 3

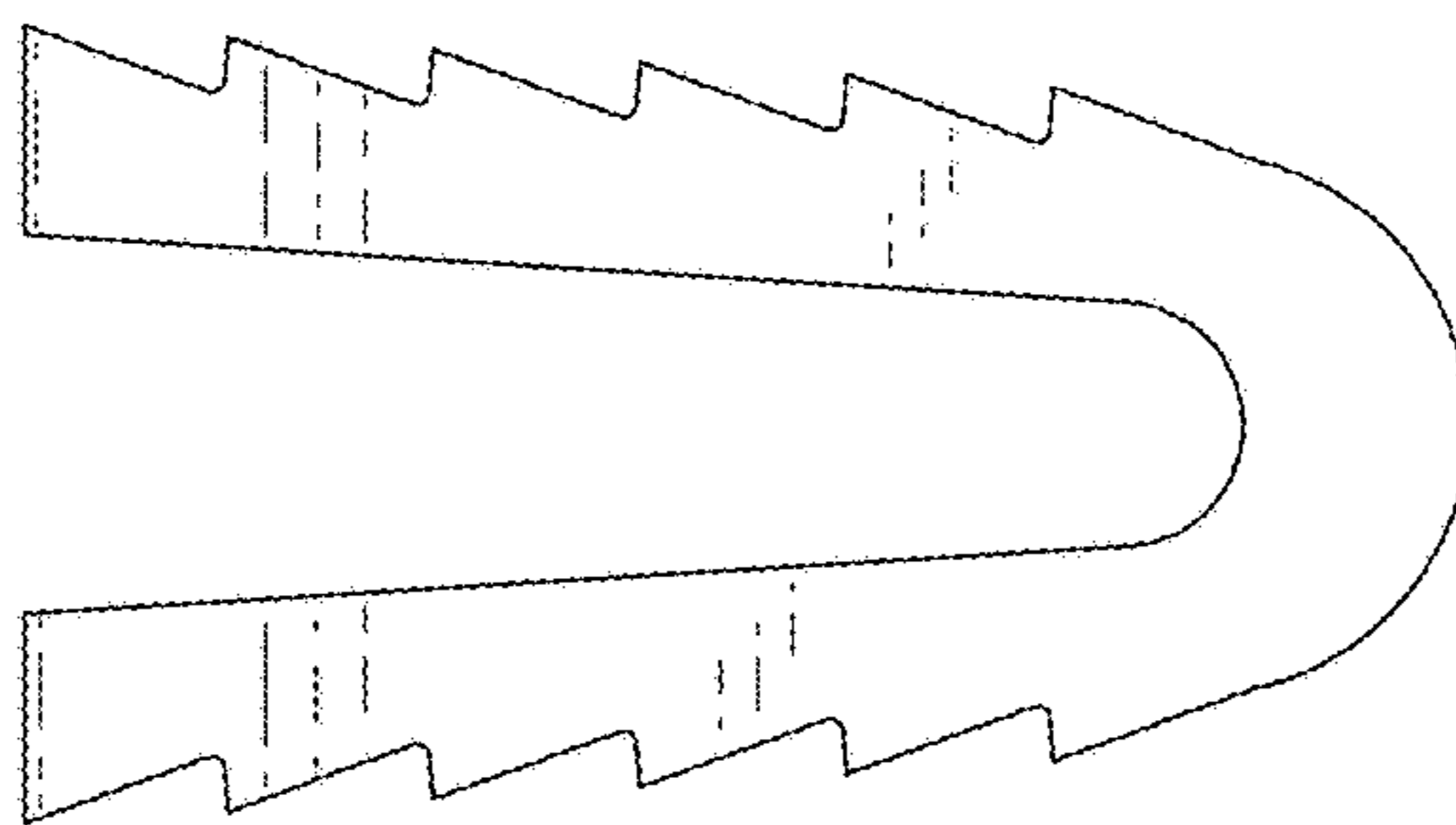


FIG. 4

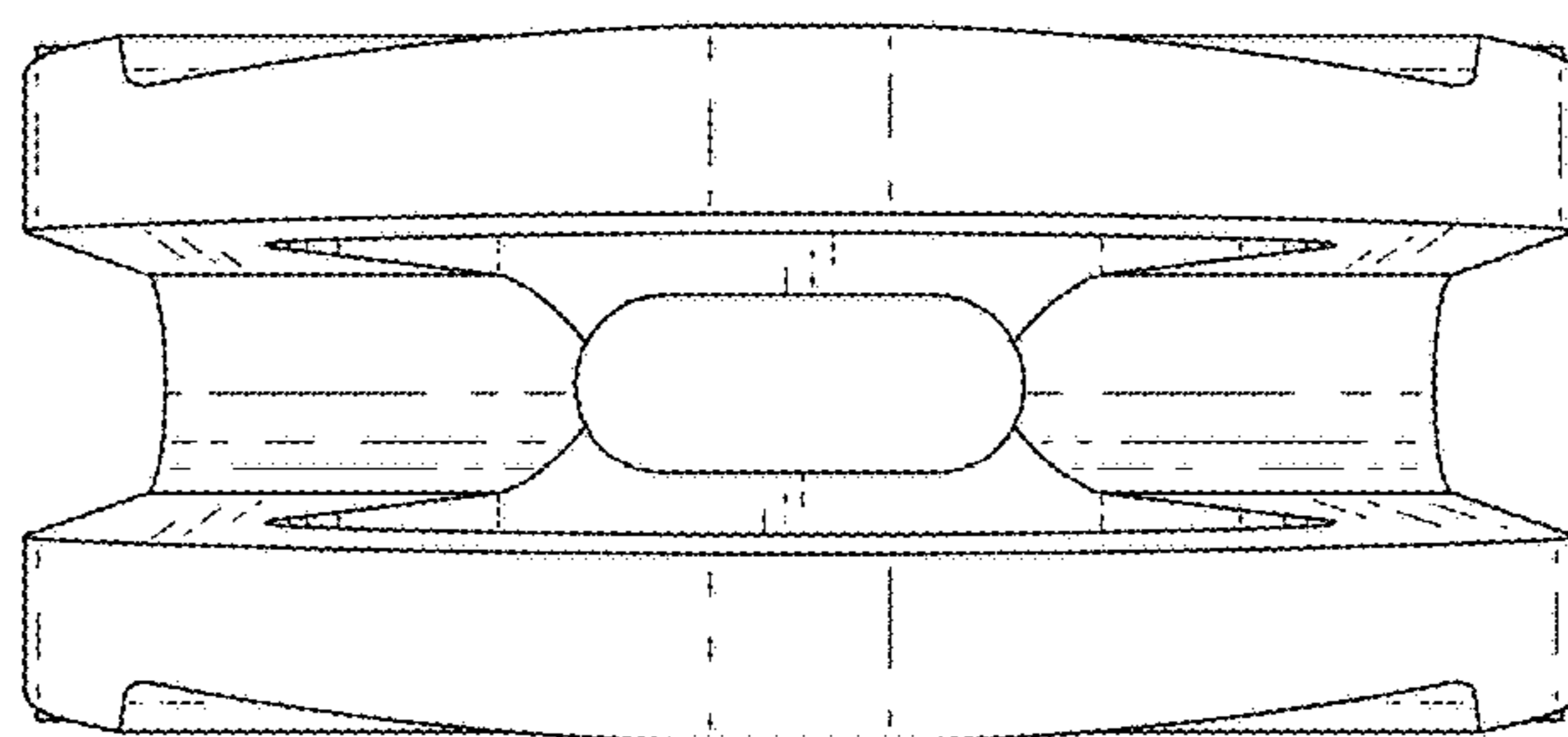


FIG. 5

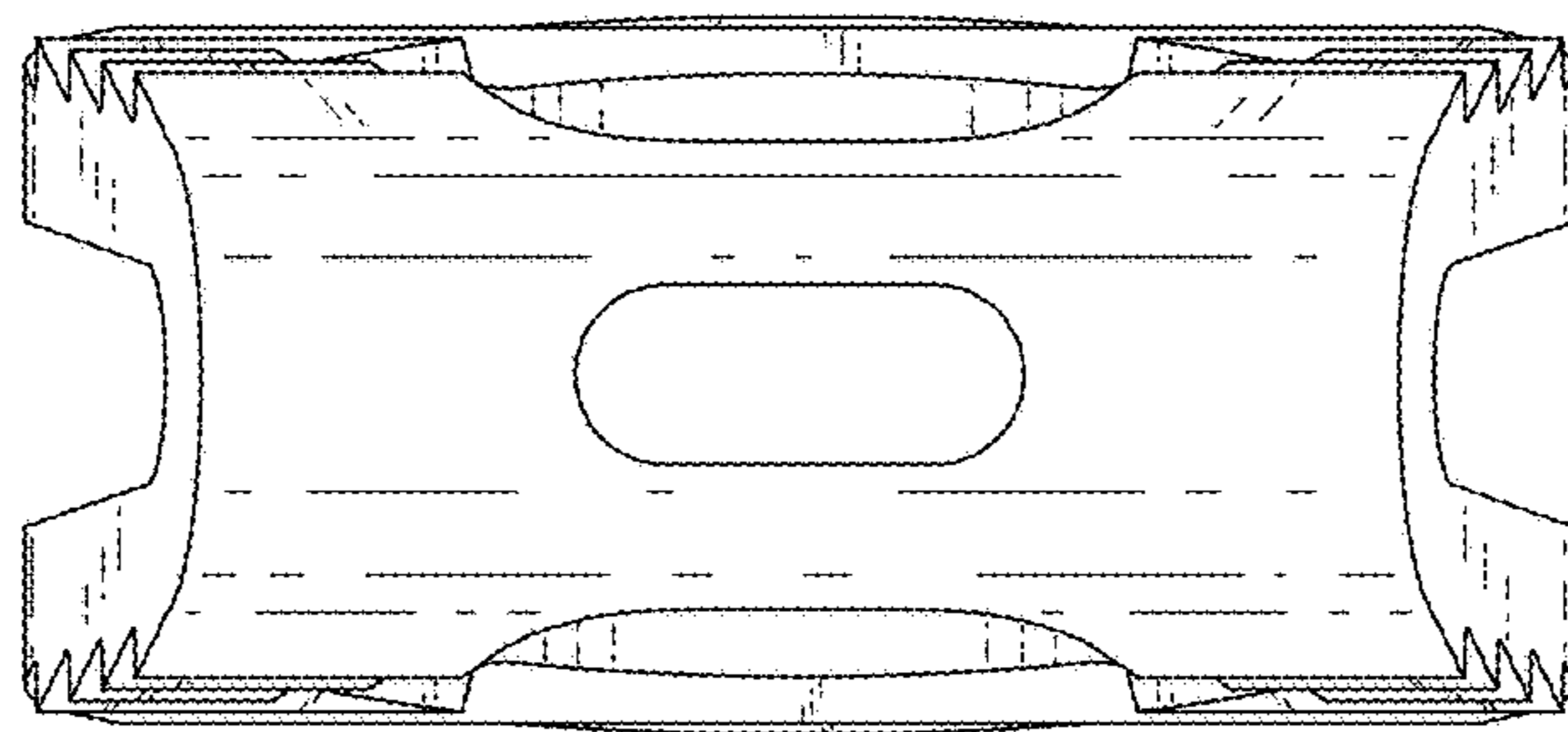


FIG. 6

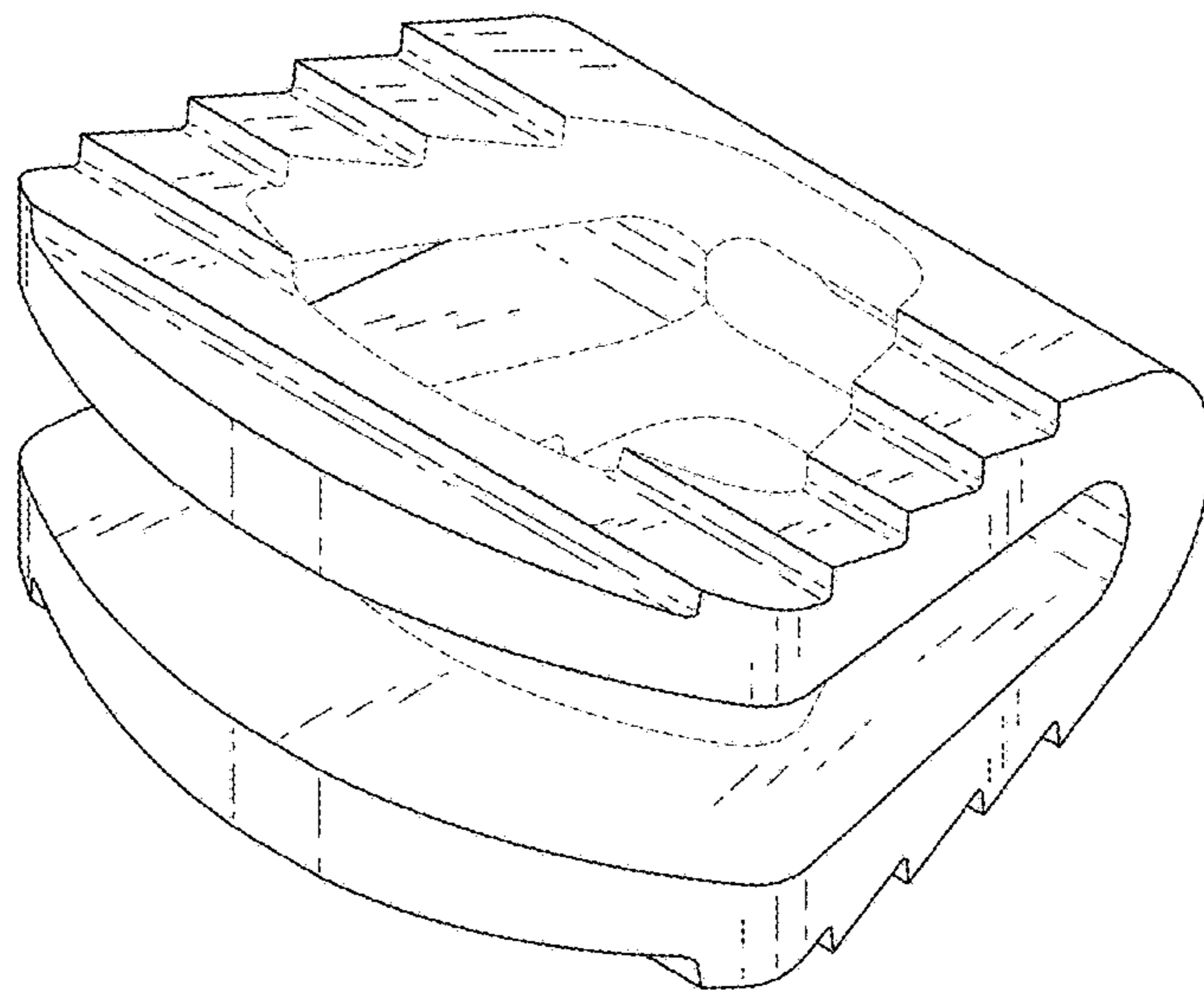


FIG. 7

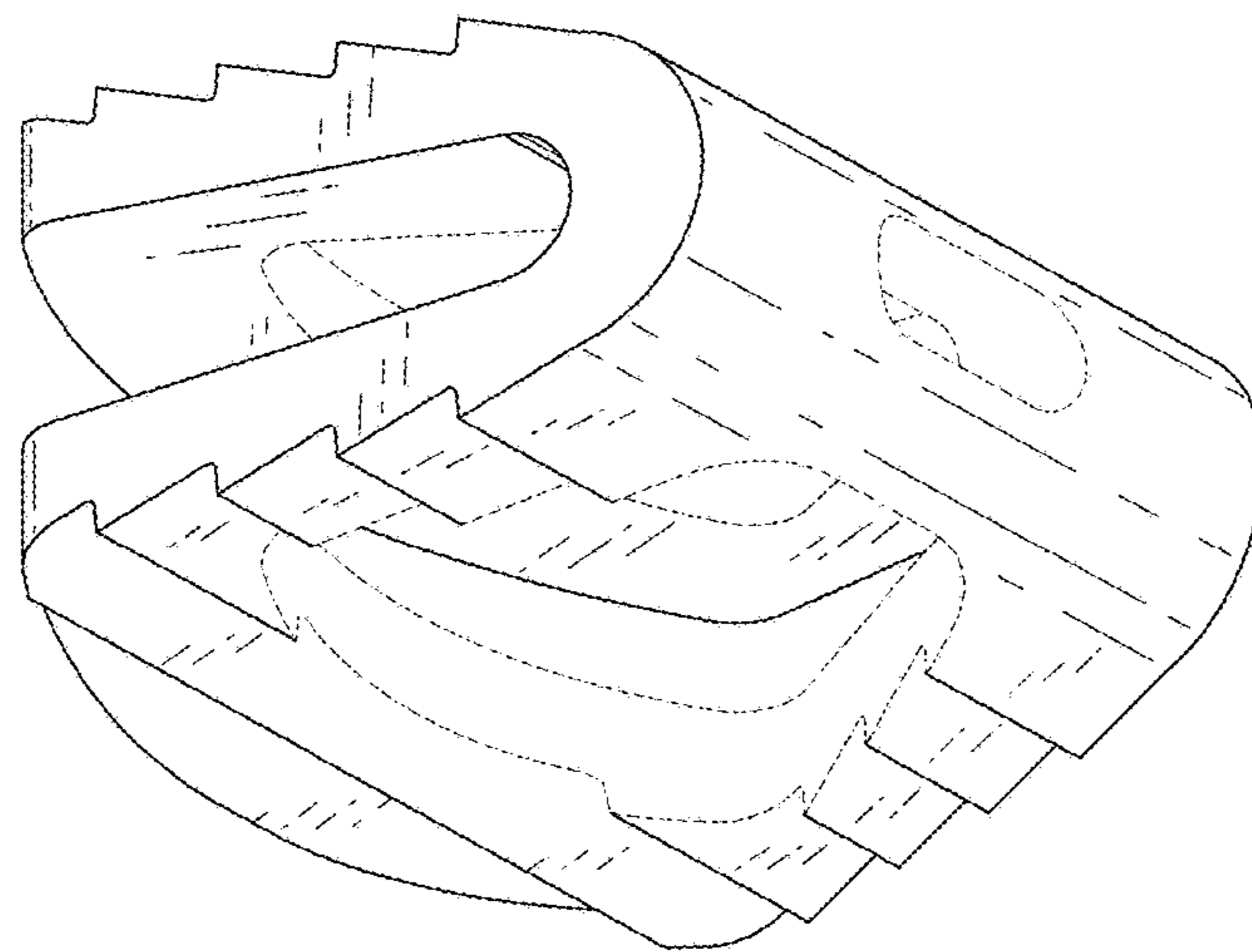


FIG. 8

TOP/BOTTOM
scale=150

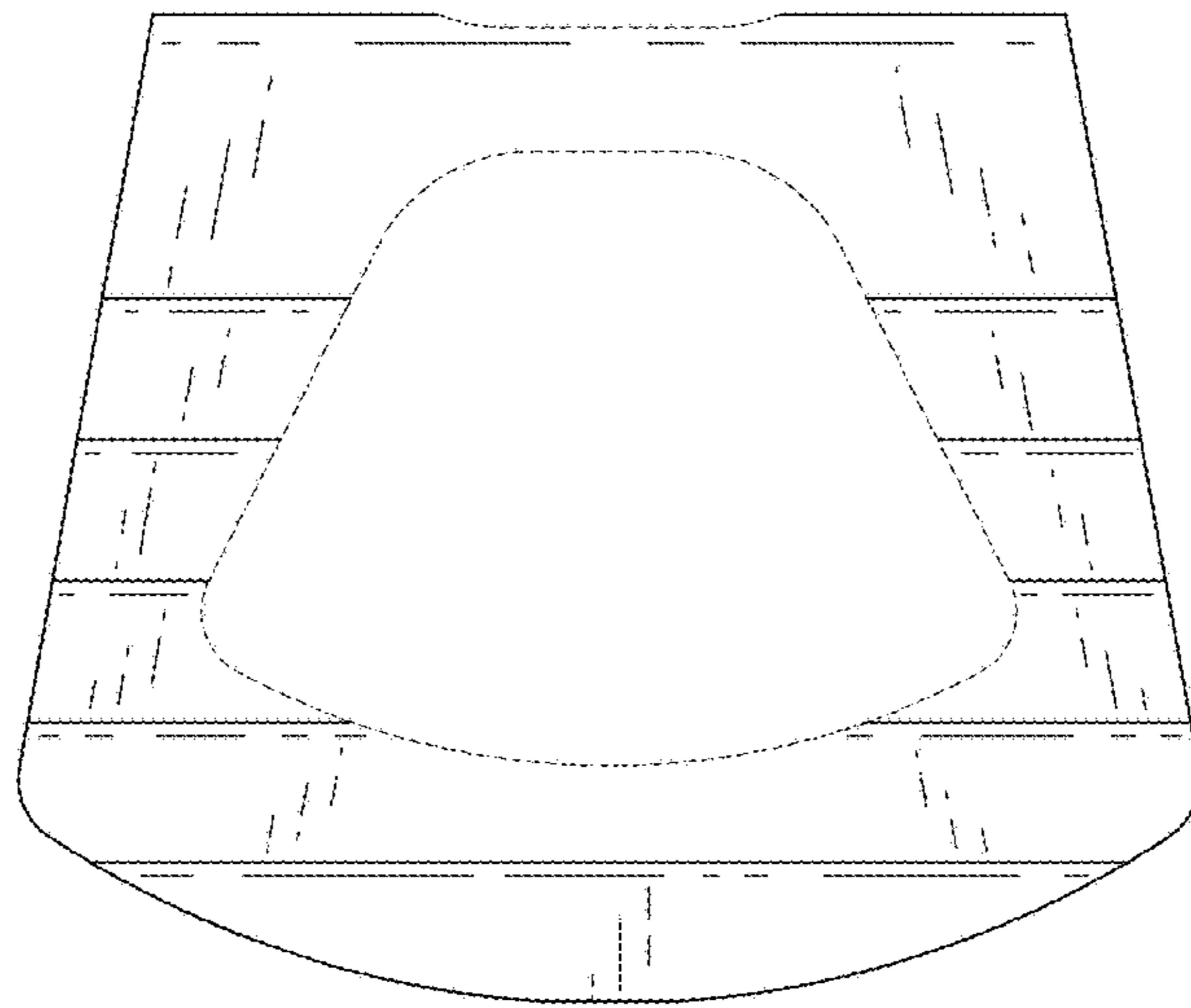


FIG. 9

LEFT/RIGHT
scale=150

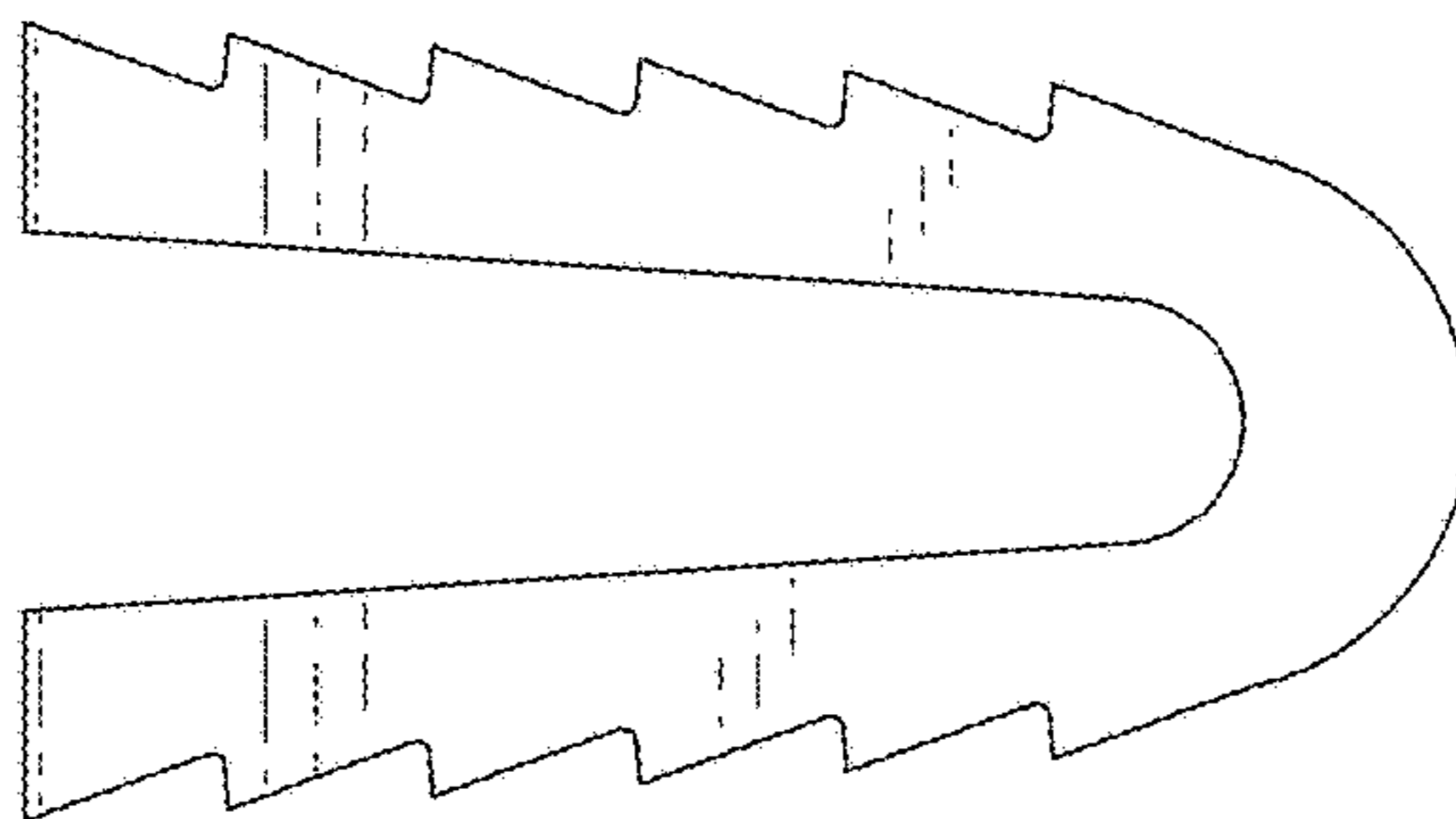


FIG. 10

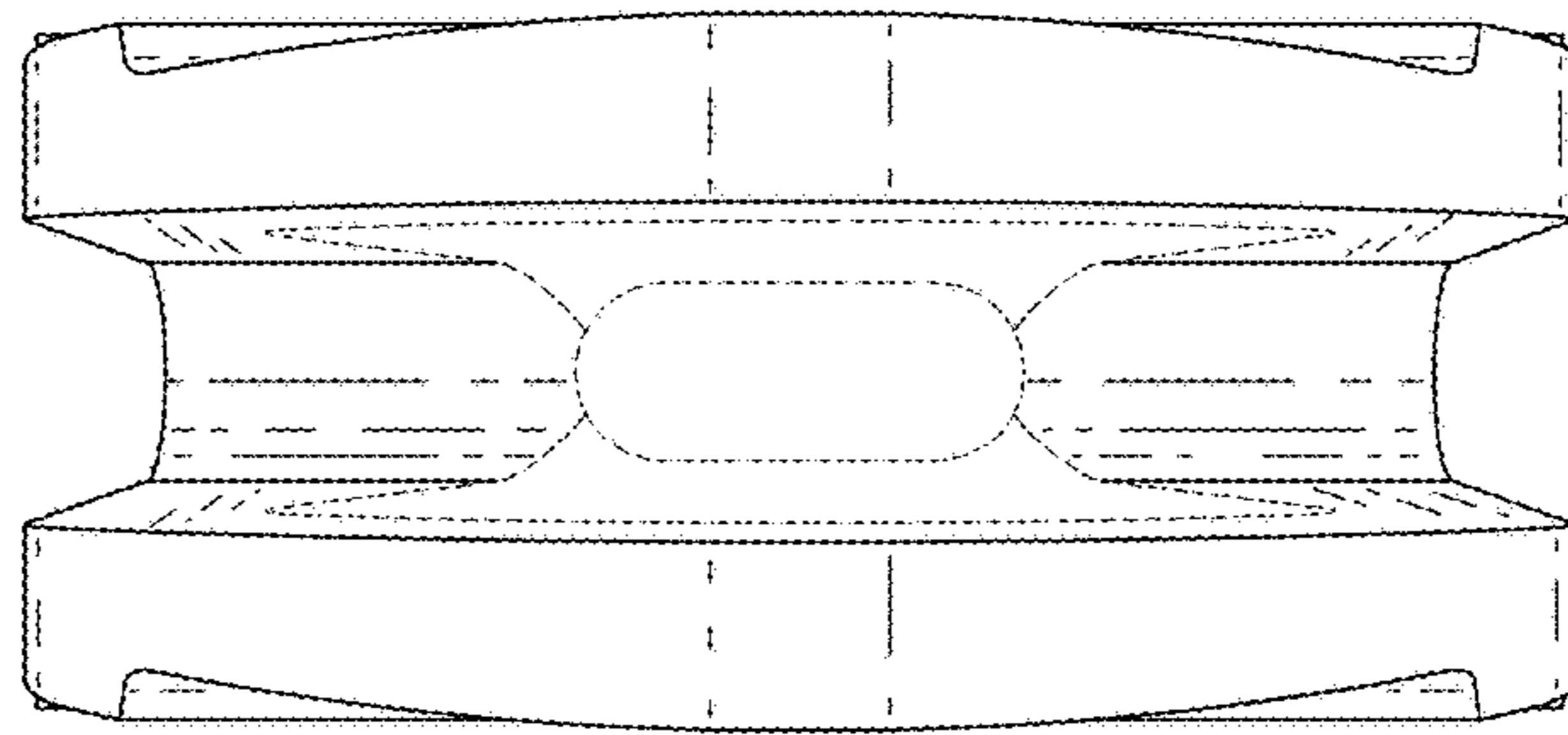


FIG. 11

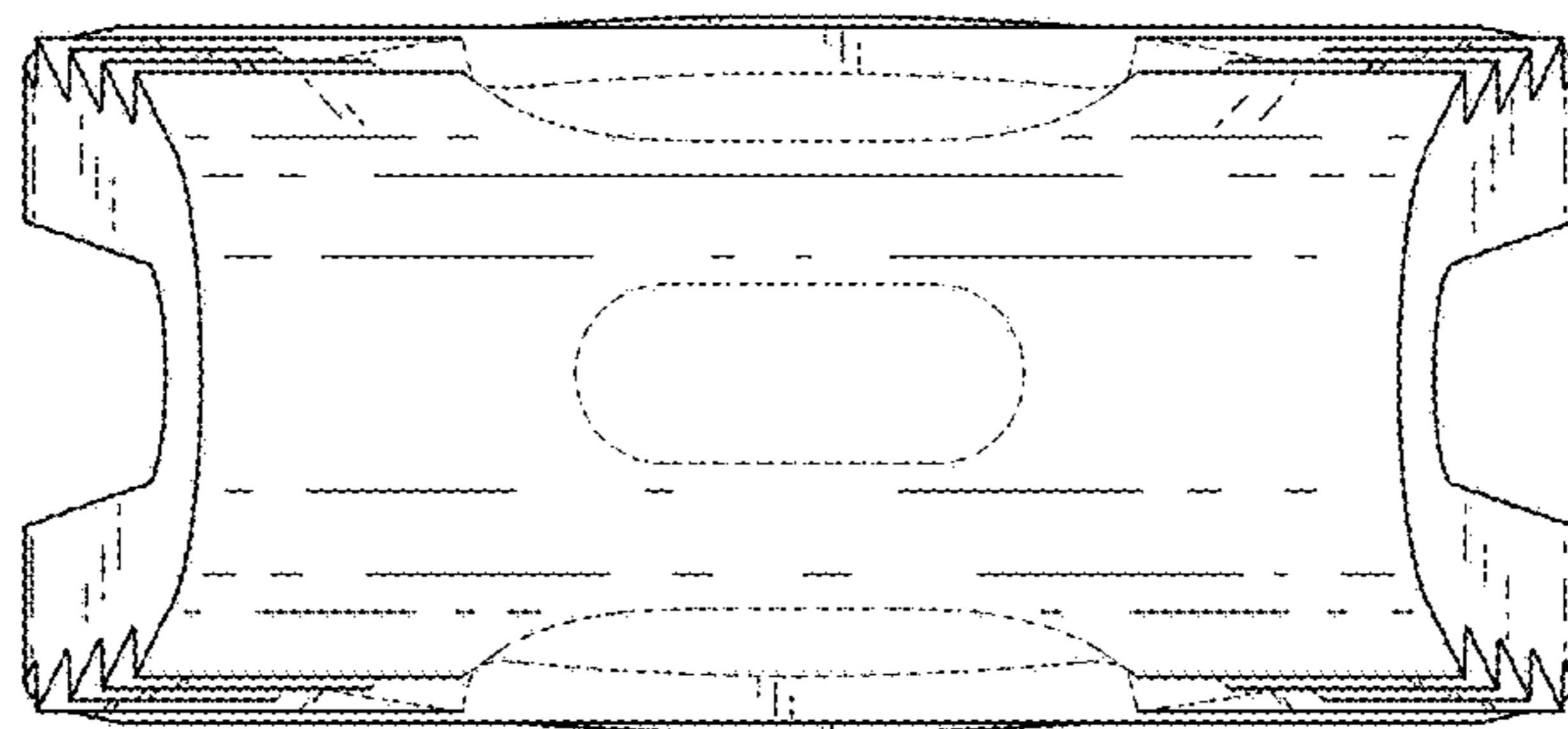


FIG. 12