



US00D841807S

(12) **United States Design Patent**  
**Tanaka et al.**

(10) **Patent No.:** **US D841,807 S**

(45) **Date of Patent:** **\*\* Feb. 26, 2019**

(54) **OPERATING DEVICE FOR ULTRASONIC CONTROL DEVICE**

(71) Applicant: **FUJIFILM Corporation**, Tokyo (JP)

(72) Inventors: **Kunihiko Tanaka**, Ashigarakami-gun (JP); **Koji Yoshida**, Ashigarakami-gun (JP)

(73) Assignee: **FUJIFILM Corporation**, Minato-Ku, Tokyo (JP)

(\*\*) Term: **15 Years**

(21) Appl. No.: **29/596,414**

(22) Filed: **Mar. 8, 2017**

(30) **Foreign Application Priority Data**

Sep. 9, 2016 (JP) ..... 2016-019590

(51) **LOC (11) Cl.** ..... **24-02**

(52) **U.S. Cl.**  
USPC ..... **D24/138**

(58) **Field of Classification Search**  
USPC .... D24/107, 108, 110.6, 111-114, 117, 118, D24/129, 130, 132-135, 137, 138, 140, D24/222; D14/170, 390; 600/137, 600/145-147  
CPC ..... A61B 1/00; A61B 1/00137; A61B 1/005; A61B 1/0014; A61B 1/0676; A61B 1/00121; A61B 1/00133; A61B 1/00071; A61B 1/0064; A61B 1/00068; A61B 1/0058; A61B 1/00048; G04G 21/00  
See application file for complete search history.

(56) **References Cited**

**U.S. PATENT DOCUMENTS**

D358,471 S \* 5/1995 Cope ..... D24/137  
D368,310 S \* 3/1996 Ouellette ..... D24/186

D395,285 S \* 6/1998 Allon ..... D14/388  
6,483,905 B1 \* 11/2002 Kikinis ..... H04L 51/24  
379/185  
D526,348 S \* 8/2006 Tanaka ..... D18/14  
D537,471 S \* 2/2007 Inoue ..... D18/41  
D602,022 S \* 10/2009 Heck ..... D14/388  
D604,845 S \* 11/2009 Hibi ..... D24/107  
D605,145 S \* 12/2009 Kellar ..... D14/125  
D637,287 S \* 5/2011 Mudd ..... D24/133  
D673,952 S \* 1/2013 Toda ..... D14/383  
D690,700 S \* 10/2013 Jonsson ..... D14/390  
D712,407 S \* 9/2014 Chang ..... D14/389  
D719,260 S \* 12/2014 Shimobayashi ..... D24/138  
D722,055 S \* 2/2015 Jonsson ..... D14/389

(Continued)

*Primary Examiner* — Ian Simmons

*Assistant Examiner* — Yolanda Robinson

(74) *Attorney, Agent, or Firm* — Sughrue Mion, PLLC

(57) **CLAIM**

The ornamental design for operating device for ultrasonic control device, as shown and described.

**DESCRIPTION**

FIG. 1 is a top, front and right side perspective view of an operating device for ultrasonic control device showing our new design;

FIG. 2 is a front elevational view thereof;

FIG. 3 is a rear elevational view thereof;

FIG. 4 is a top plan view thereof;

FIG. 5 is a bottom plan view thereof;

FIG. 6 is a left side elevational view thereof;

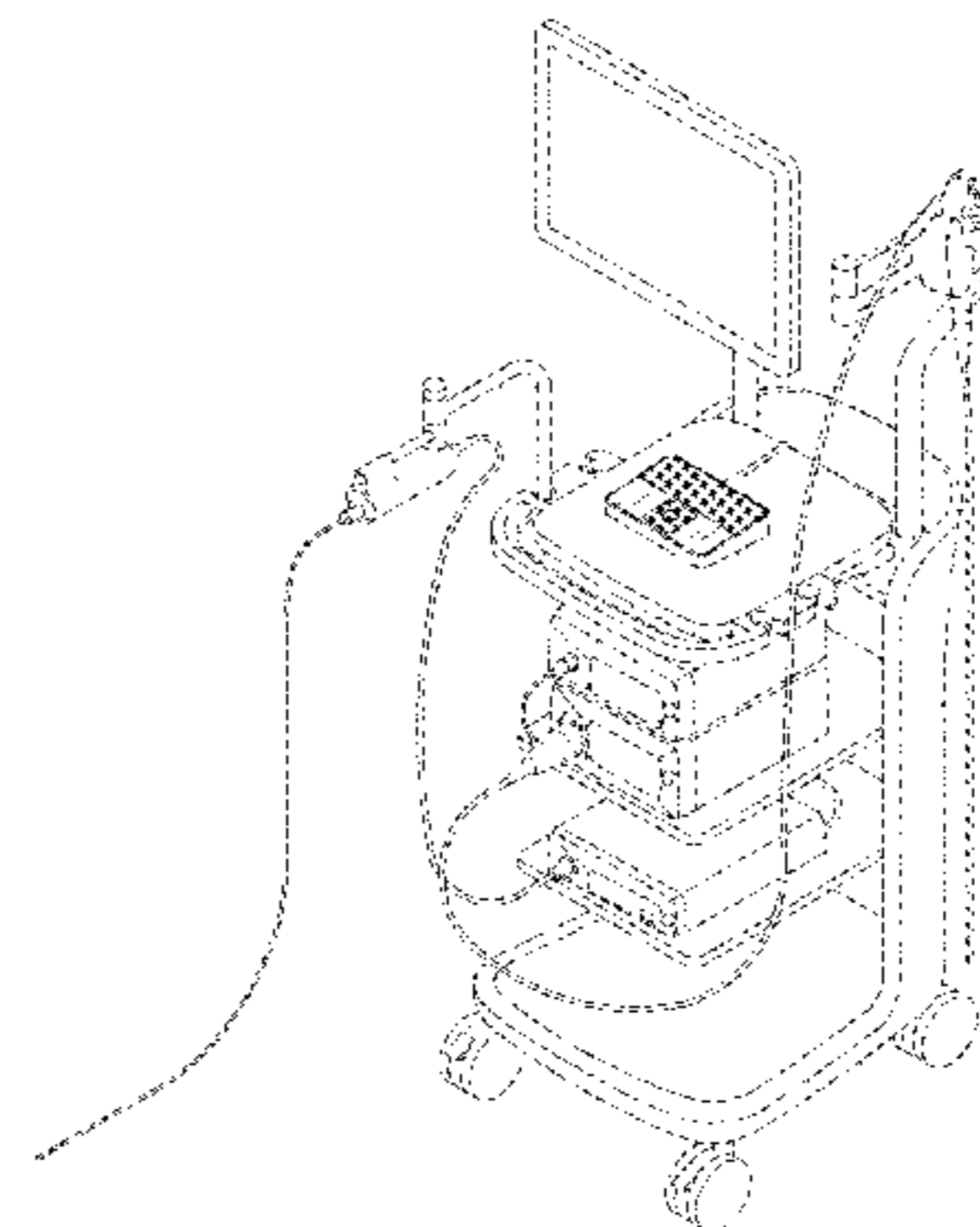
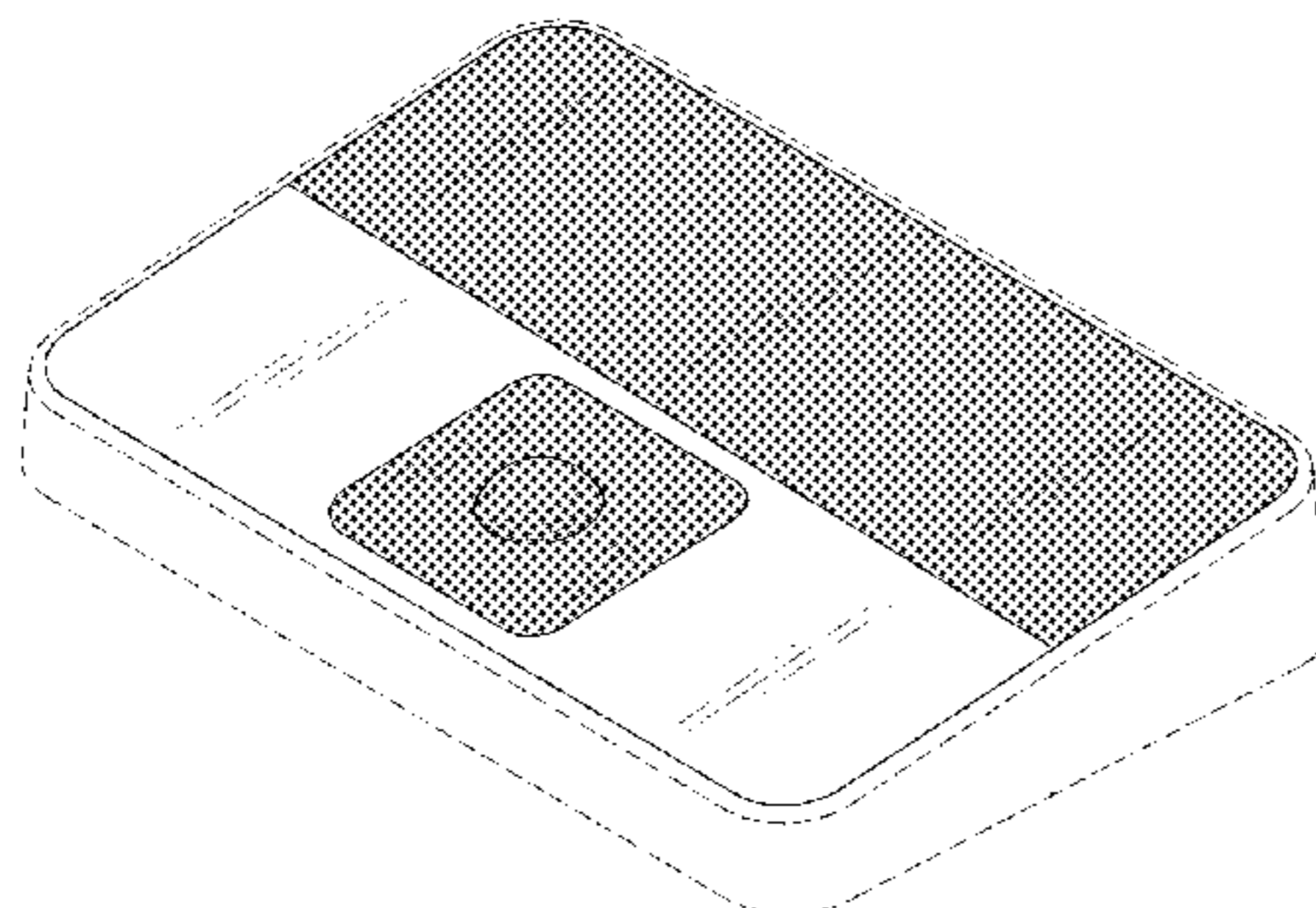
FIG. 7 is a perspective view thereof showing the design in environment use; and,

FIG. 8 is another perspective view thereof showing the design in environmental use.

The broken lines shown represent unclaimed subject matter and form no part of the claimed design.

The solid shaded areas in FIGS. 1, 2, 4 and 6-8 are to show a contrast in appearance.

**1 Claim, 8 Drawing Sheets**



(56)

**References Cited**

U.S. PATENT DOCUMENTS

D726,724 S *	4/2015	Wahlqvist .....	D14/390
D730,847 S *	6/2015	Weiss .....	D13/168
D770,051 S *	10/2016	Egglı .....	D24/186
D783,164 S *	4/2017	Tanaka .....	D24/138
D794,189 S *	8/2017	Sakai .....	D24/138
D794,786 S *	8/2017	Hayamizu .....	D24/138
2008/0200758 A1 *	8/2008	Orbay .....	A61B 1/00048
			600/112
2016/0203683 A1 *	7/2016	Herron .....	G08B 6/00
			340/407.1

\* cited by examiner

FIG. 1

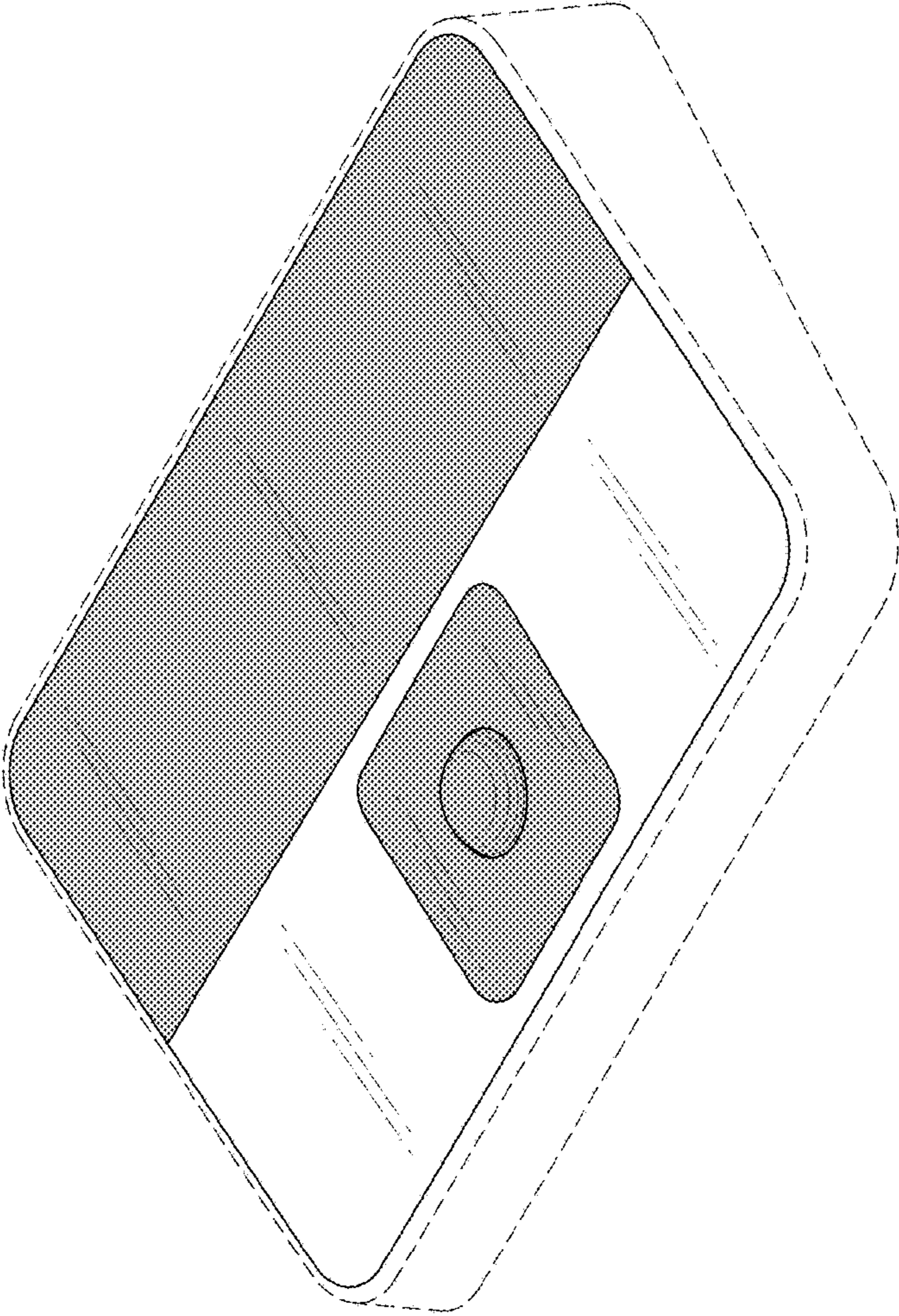


FIG. 2

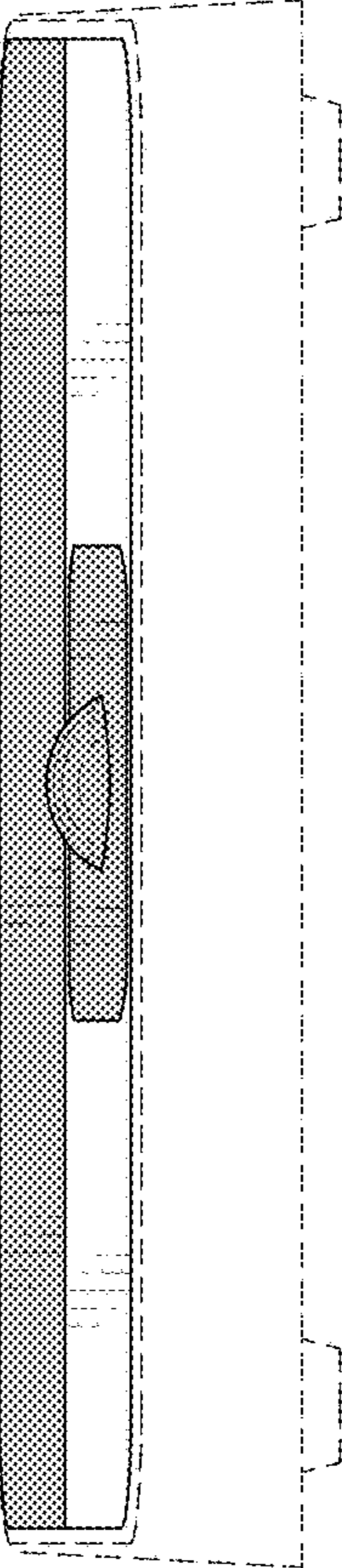


FIG. 3

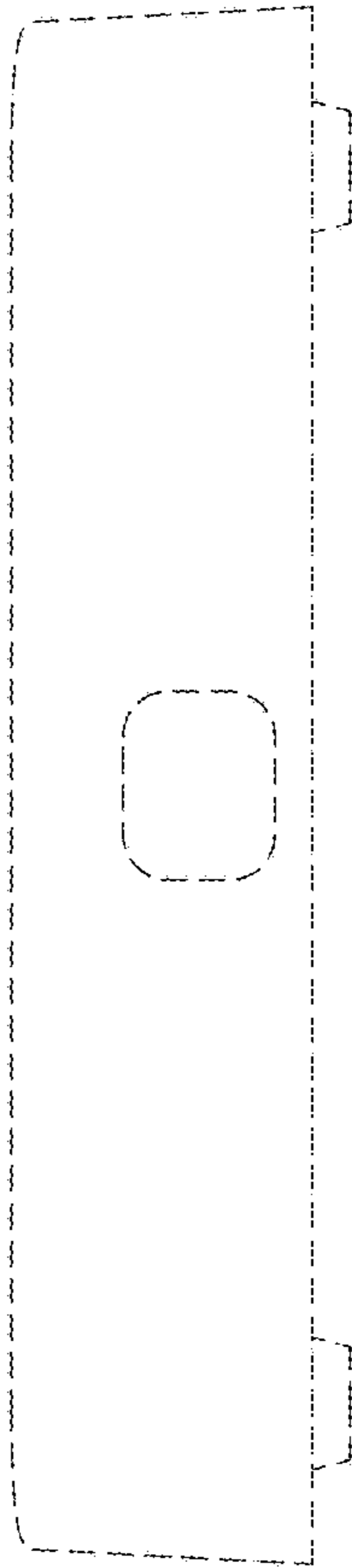




FIG. 4

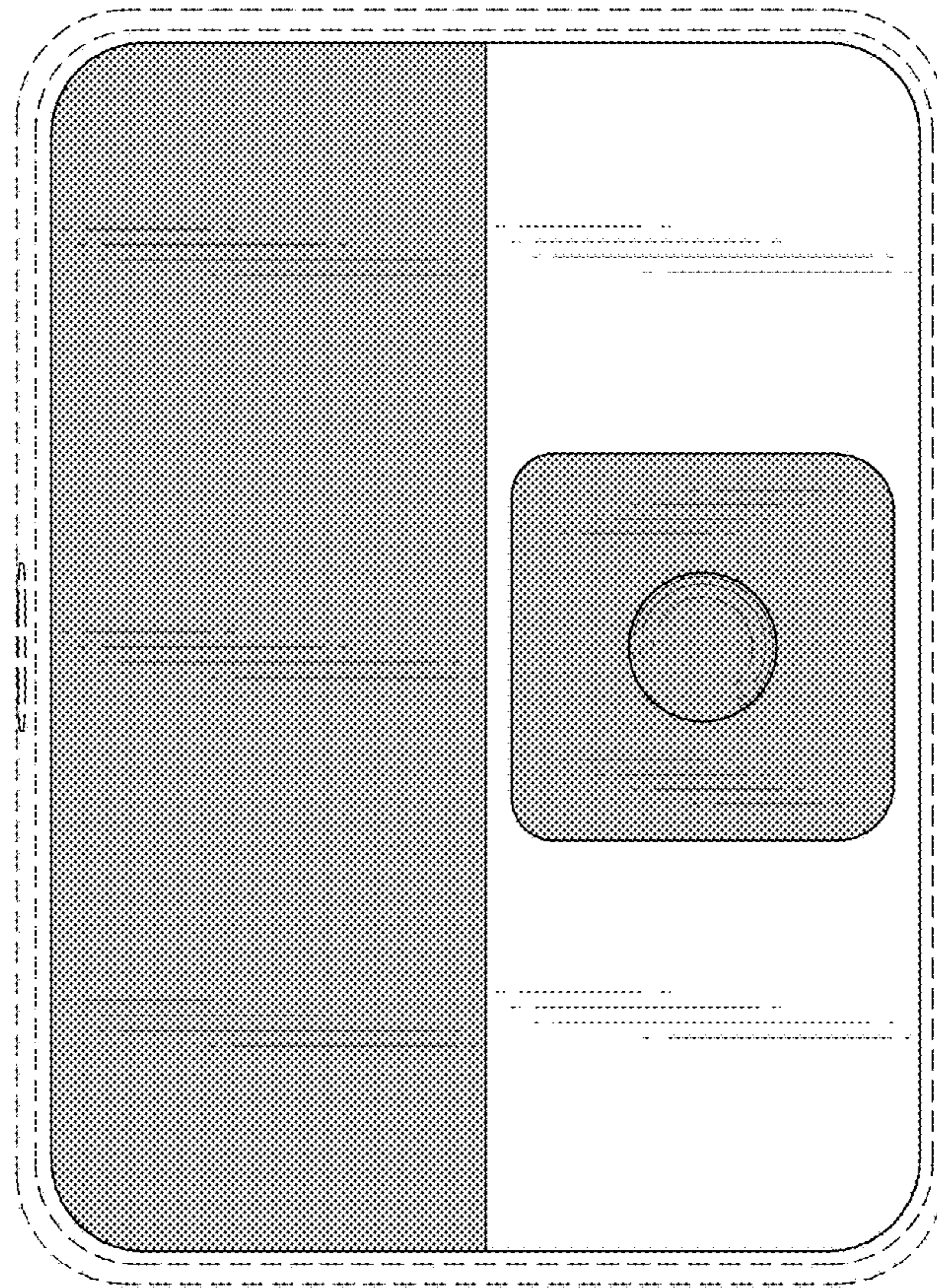


FIG. 5



FIG. 6

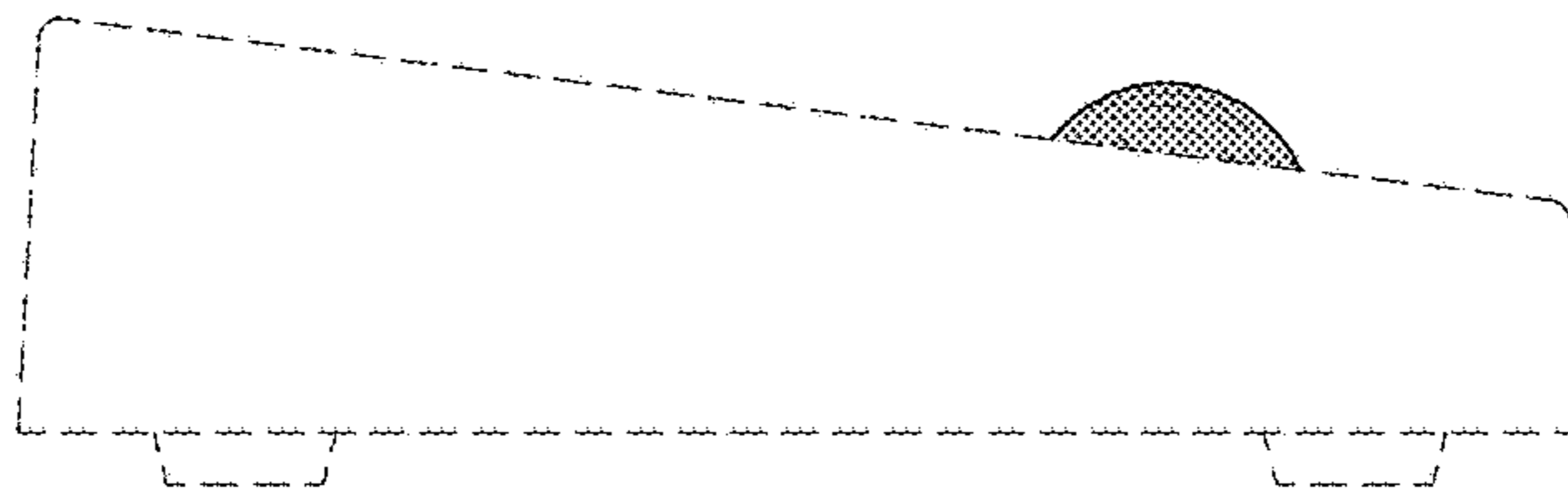




FIG. 7

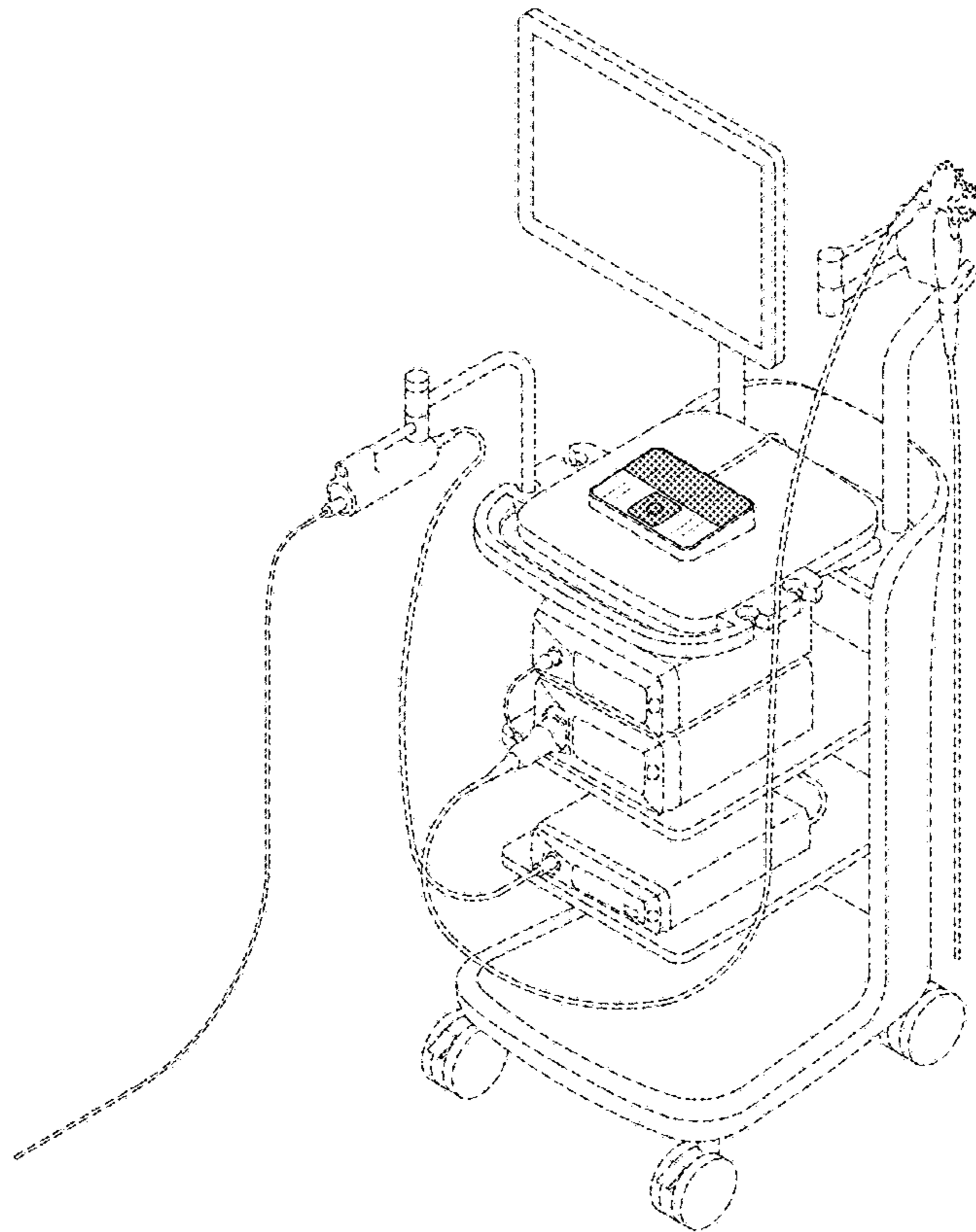


FIG. 8

