



US00D841805S

(12) **United States Design Patent** (10) **Patent No.:** **US D841,805 S**
Hopper (45) **Date of Patent:** **** Feb. 26, 2019**

(54) **CONTAINER LID**
(71) Applicant: **West Pharmaceutical Services, Inc.**,
Exton, PA (US)
(72) Inventor: **Kevin Hopper**, Athens, TX (US)
(73) Assignee: **WEST PHARMACEUTICAL SERVICES, INC.**, Exton, PA (US)
(**) Term: **15 Years**
(21) Appl. No.: **29/621,095**
(22) Filed: **Oct. 4, 2017**
(51) **LOC (11) Cl.** **24-02**
(52) **U.S. Cl.**
USPC **D24/131**
(58) **Field of Classification Search**
USPC D24/131, 121, 123, 224; 604/317-325;
206/365-370
CPC A61B 50/36; A61B 50/362; A61M 1/0058;
B65D 41/04; B65D 2251/023; B65D
41/0485; B65D 41/3428
See application file for complete search history.

(56) **References Cited**
U.S. PATENT DOCUMENTS
4,454,944 A * 6/1984 Shillington A61B 50/362
206/366
D302,291 S * 7/1989 Heubel D24/131
5,103,997 A * 4/1992 Shillington B65F 1/141
206/366
D328,810 S 8/1992 Boothe et al.
5,154,345 A * 10/1992 Shillington A61M 5/3205
206/366
5,346,086 A * 9/1994 Harris A61M 5/3205
206/364
D421,122 S * 2/2000 Gaba D24/131
6,076,660 A 6/2000 Day
D438,964 S * 3/2001 Gaba D24/131

D451,195 S * 11/2001 Daniels D24/131
6,474,472 B1 * 11/2002 Shaw A61M 5/3205
206/366
D482,448 S 11/2003 Crawford
D485,906 S * 1/2004 Danssaert D24/131
6,712,207 B2 3/2004 Panek, Jr. et al.
6,923,318 B1 * 8/2005 Erickson A61B 50/3001
206/366
D518,173 S 3/2006 Coates
7,119,688 B2 10/2006 Wildman
7,232,066 B2 6/2007 Andreasson et al.
7,336,640 B2 2/2008 McDonough et al.
7,445,116 B2 11/2008 Dansaert et al.
7,713,229 B2 5/2010 Veit et al.
7,871,393 B2 1/2011 Monroe
7,886,973 B2 2/2011 Wagner et al.
8,011,507 B2 9/2011 Anderson et al.

(Continued)

Primary Examiner — David G Muller
(74) *Attorney, Agent, or Firm* — Panitch Schwarze
Belisario & Nadel LLP

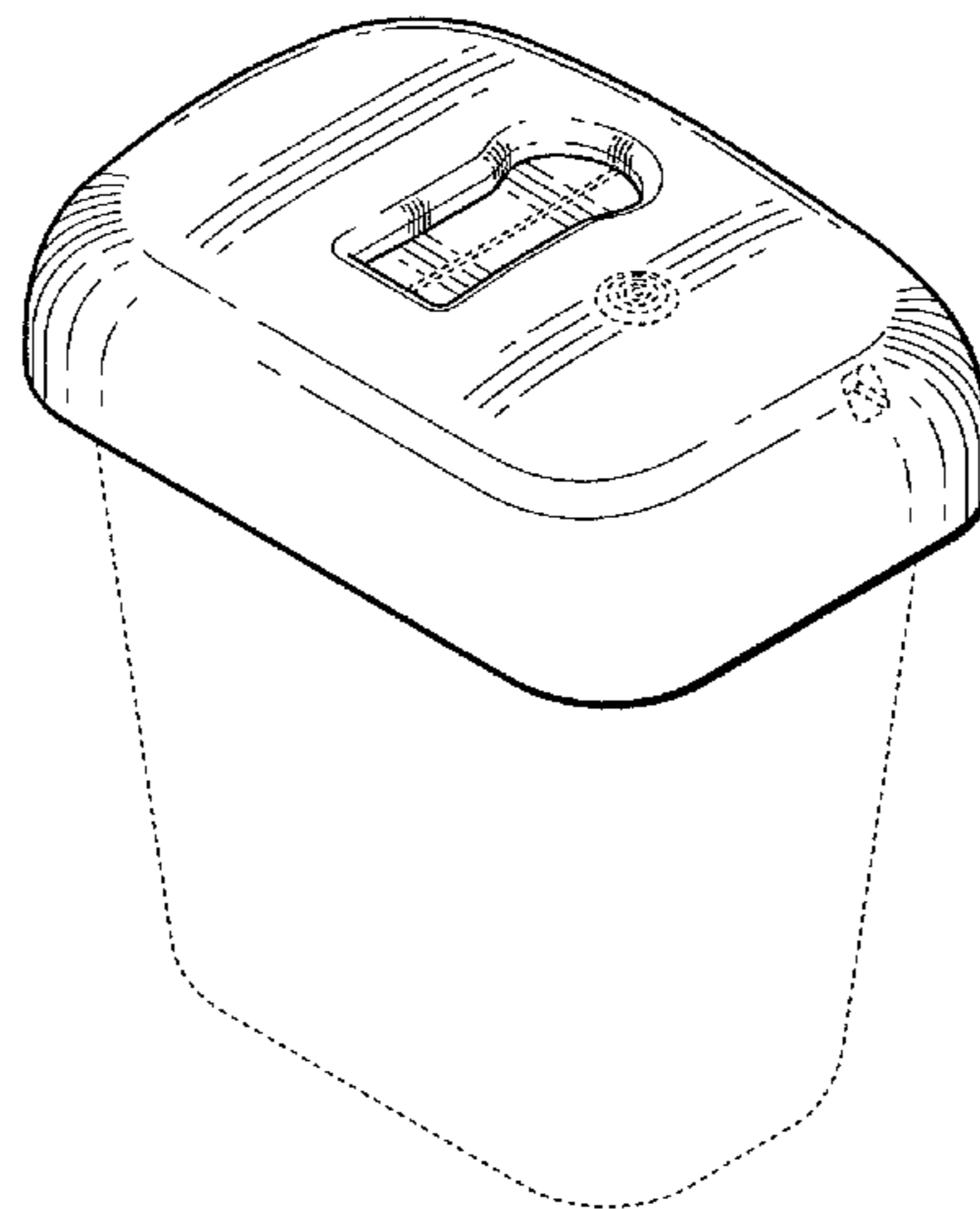
(57) **CLAIM**

The ornamental design for a container lid, as shown and described.

DESCRIPTION

FIG. 1 is a front and top perspective view of a container lid in accordance with my new design;
FIG. 2 is a top plan view thereof;
FIG. 3 is a front elevational view thereof;
FIG. 4 is a rear elevational view thereof;
FIG. 5 is a right side elevational view thereof; and,
FIG. 6 is a left side elevational view thereof.
The broken lines in the figures are directed to environment, are for illustrative purposes only and form no part of the claimed design.
The bottom view of the container lid is not shown in the drawings nor described in the specification and, therefore, forms no part of the claimed design.

1 Claim, 3 Drawing Sheets



(56)

References Cited

U.S. PATENT DOCUMENTS

8,016,798 B2	9/2011	Sparks et al.	2002/0040208 A1	4/2002	Flaherty et al.
8,028,835 B2	10/2011	Yasuda et al.	2005/0119915 A1	6/2005	Mallett et al.
D664,430 S	7/2012	Kelly et al.	2005/0228682 A1	10/2005	Firestone
8,556,867 B2	10/2013	Krulevitch et al.	2006/0112577 A1	6/2006	Jones
8,581,709 B2	11/2013	Mazur	2007/0080223 A1	4/2007	Japuntich
8,606,596 B1	12/2013	Bochenko et al.	2008/0188813 A1	8/2008	Miller et al.
D699,843 S	2/2014	Stark	2009/0043253 A1	2/2009	Podaima
8,868,434 B2	10/2014	Mallett	2009/0118592 A1	5/2009	Klitgaard
8,950,578 B2 *	2/2015	Erickson A61B 19/0288 206/364	2011/0226651 A1	9/2011	Patino
8,994,358 B2	3/2015	McElhinny et al.	2012/0041355 A1	2/2012	Edman et al.
9,014,775 B2	4/2015	Bennett et al.	2012/0116798 A1	5/2012	Heath et al.
9,089,650 B2	7/2015	Nielsen et al.	2013/0008818 A1	1/2013	Ahag et al.
9,101,534 B2	8/2015	Bochenko	2014/0207074 A1	7/2014	Nielsen
9,144,466 B2	9/2015	McElhinny et al.	2014/0374294 A1	12/2014	Joyce
9,272,093 B2	3/2016	Kohli et al.	2015/0211950 A1	7/2015	Eckhoff et al.
D794,783 S *	8/2017	Waimberk D24/131	2015/0274388 A1	10/2015	Gordon
D804,664 S	12/2017	Waimberk et al.	2015/0351850 A1	12/2015	McElhinny et al.
			2016/0045662 A1	2/2016	Jakobsen
			2016/0051760 A1	2/2016	Krusell et al.
			2016/0324845 A1	11/2016	Myers et al.
			2017/0000950 A1	1/2017	Baran et al.

* cited by examiner

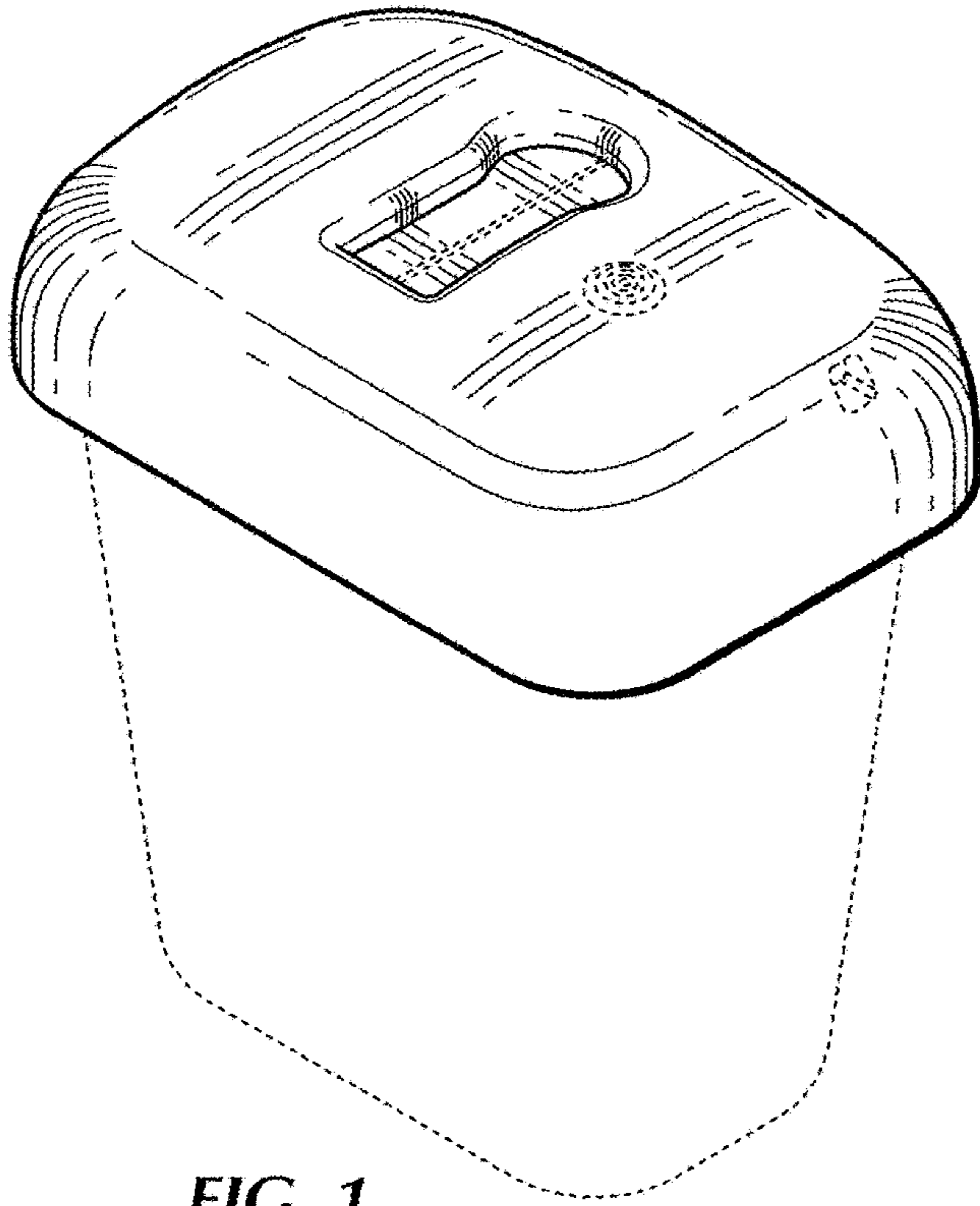


FIG. 1

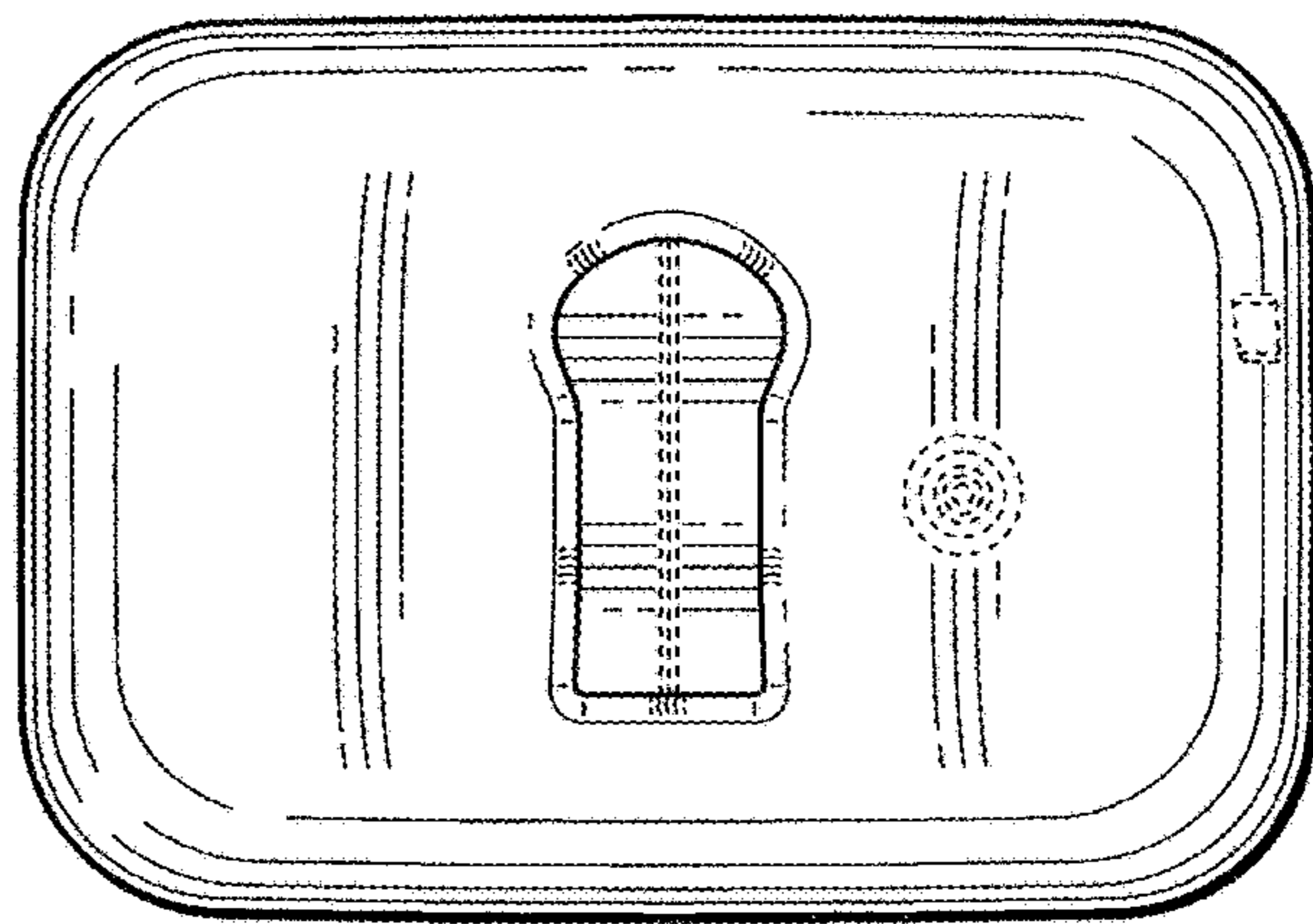


FIG. 2

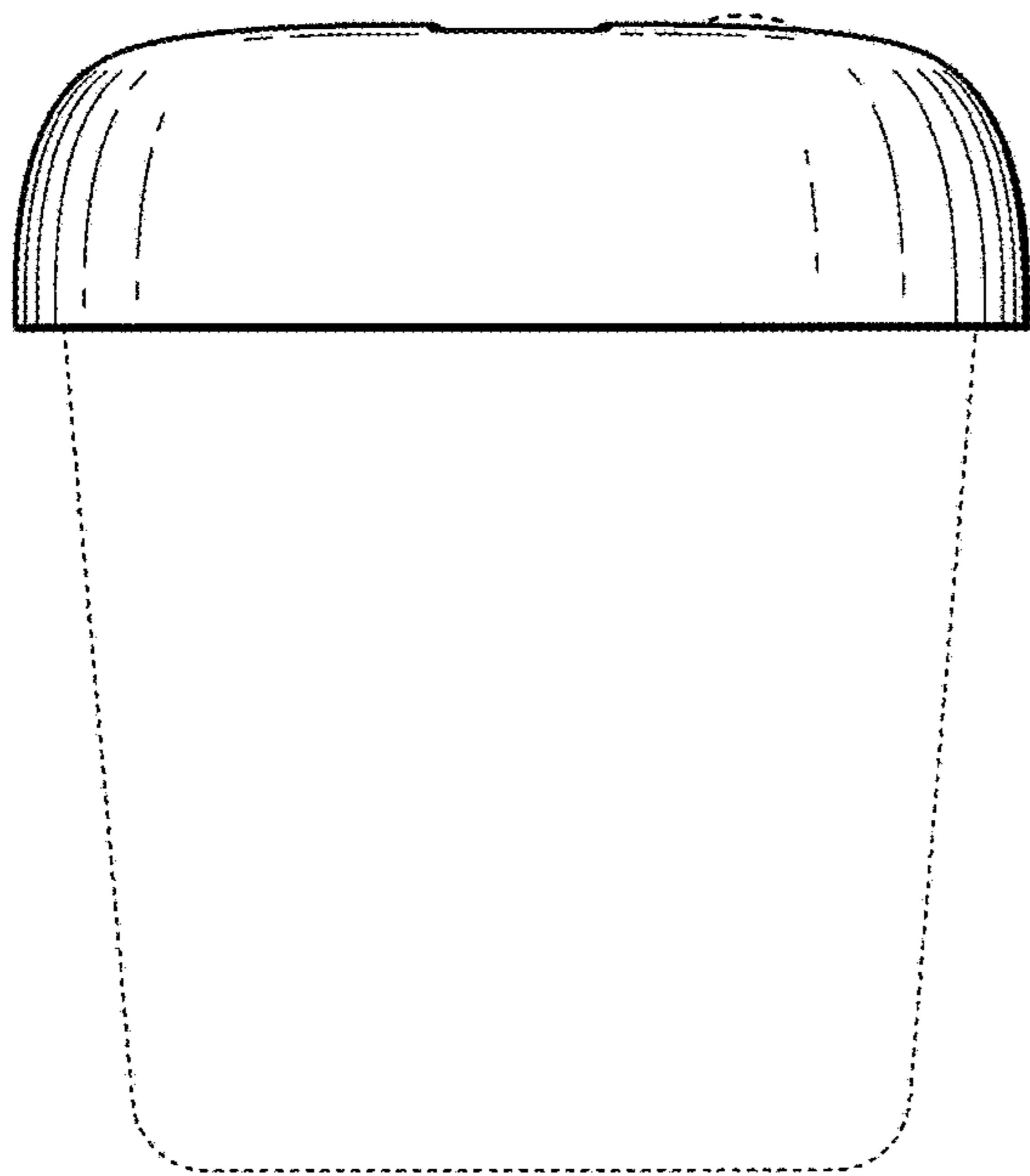


FIG. 3

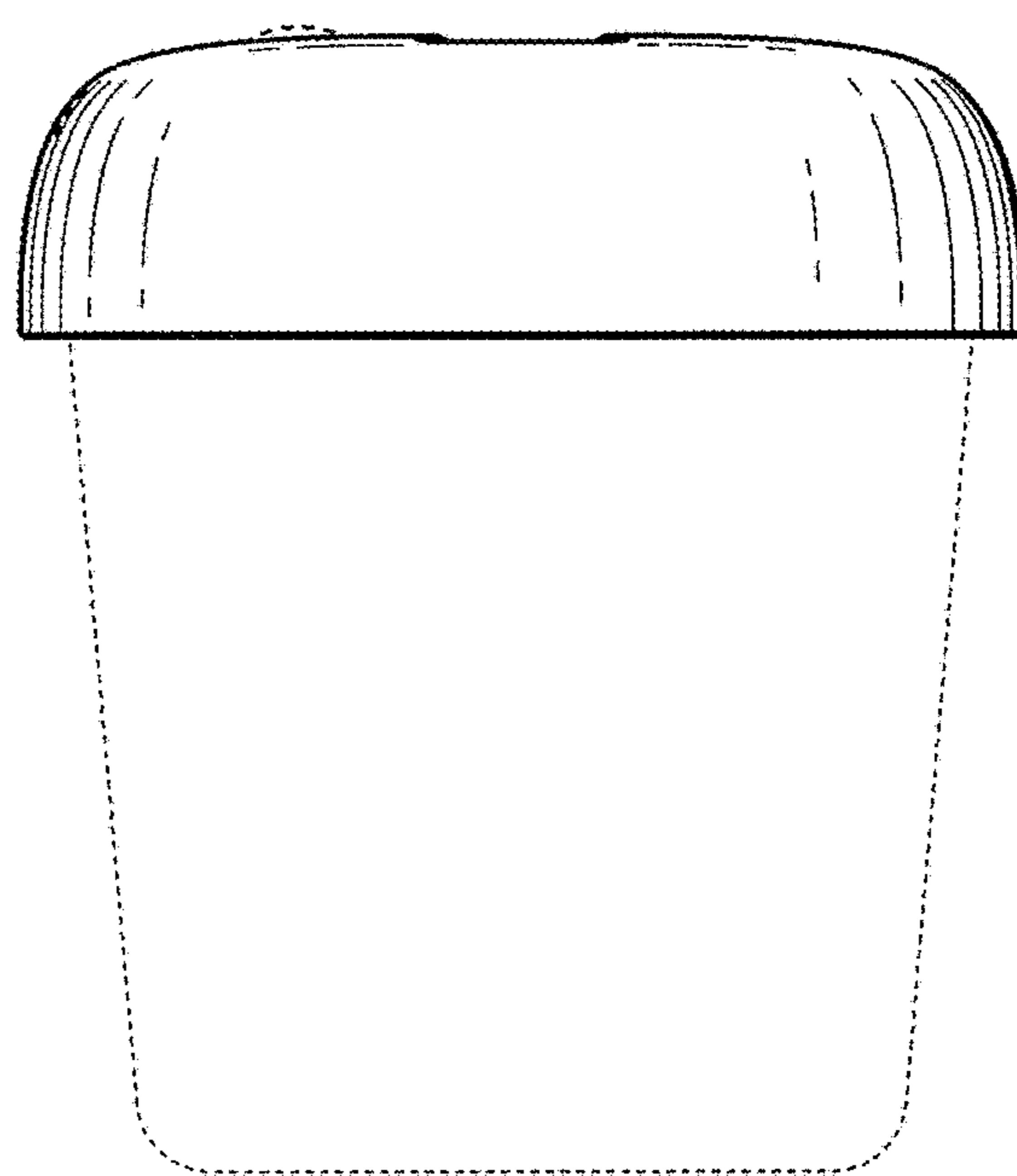


FIG. 4

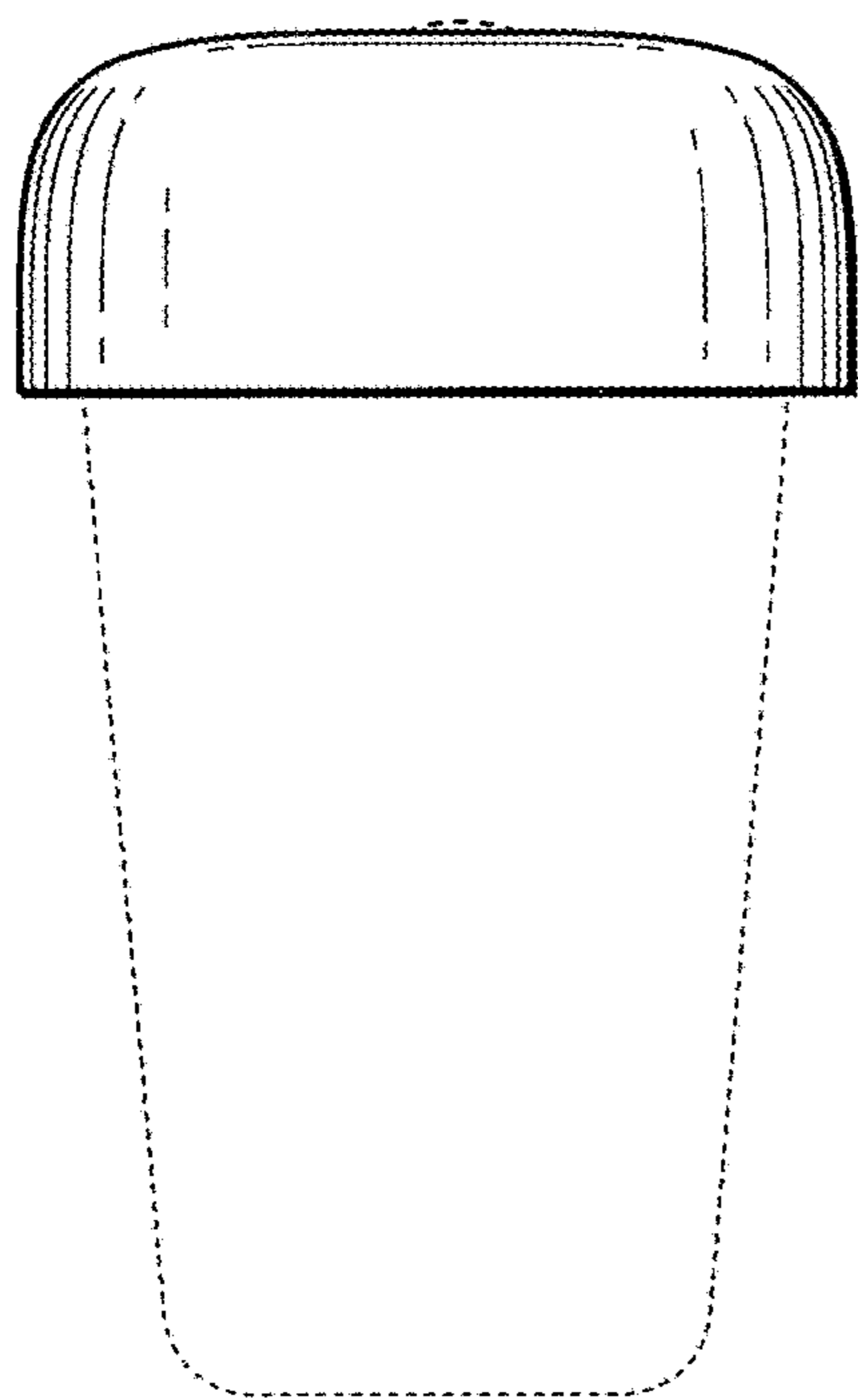


FIG. 5

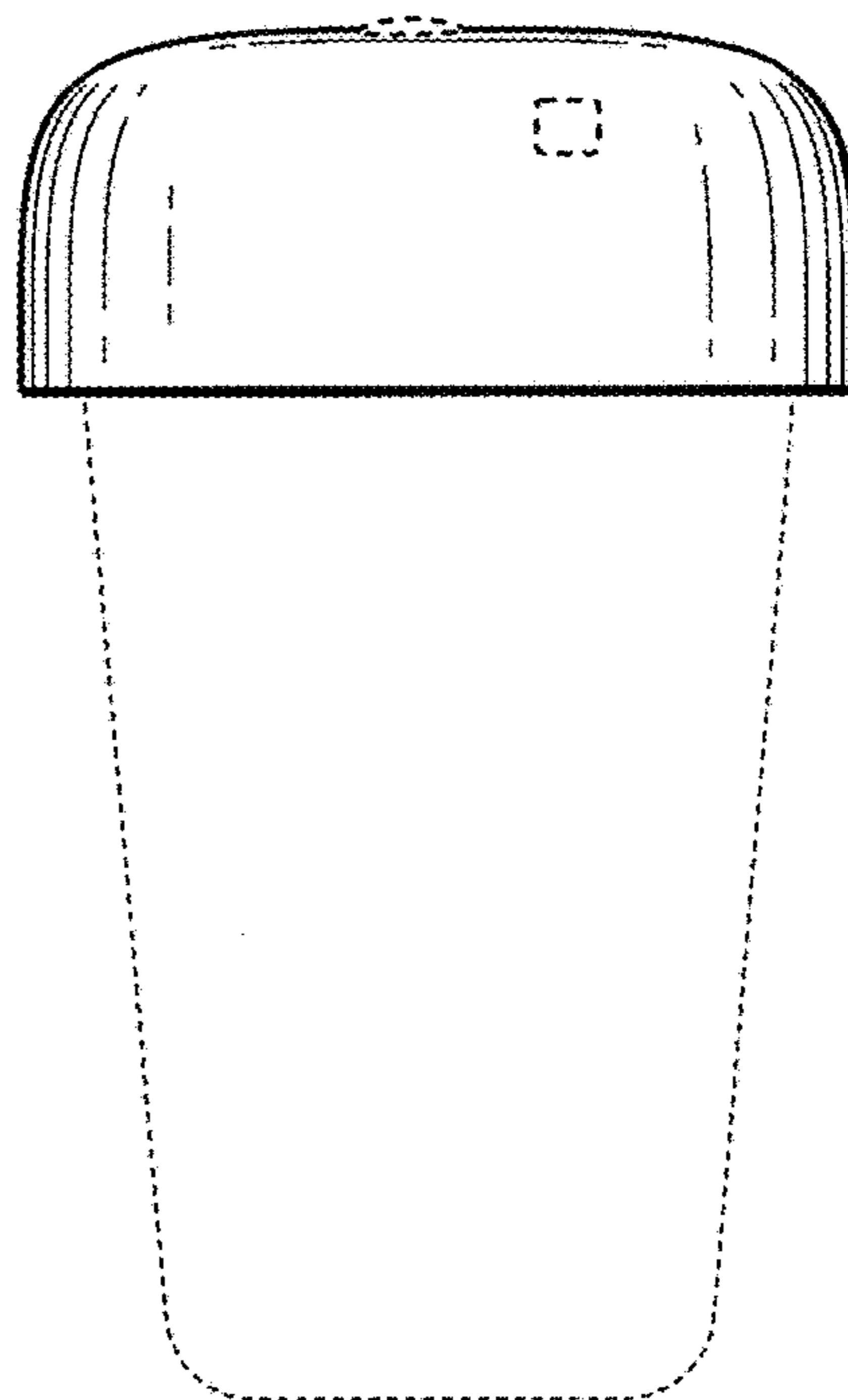


FIG. 6