



US00D841804S

(12) **United States Design Patent** (10) **Patent No.:** **US D841,804 S**
Sommer et al. (45) **Date of Patent:** **** Feb. 26, 2019**

(54) **CLIP FOR A SELF-LIGATING BRACKET**
(71) Applicant: **American Orthodontics Corporation**,
Sheboygan, WI (US)
(72) Inventors: **Jay S. Sommer**, Howards Grove, WI
(US); **Eric W. Nimmer**, Plymouth, WI
(US)
(73) Assignee: **American Orthodontics Corporation**,
Sheboygan, WI (US)

4,419,078 A 12/1983 Pletcher
5,395,236 A 3/1995 Khouri
5,474,445 A 12/1995 Voudouris
5,562,444 A 10/1996 Heiser et al.
5,630,715 A 5/1997 Voudouris
5,711,666 A 1/1998 Hanson
5,800,162 A 9/1998 Shimodaira et al.
5,857,850 A 1/1999 Voudouris
5,906,486 A 5/1999 Hanson
5,913,680 A 6/1999 Voudouris

(Continued)

(**) Term: **15 Years**
(21) Appl. No.: **29/647,082**
(22) Filed: **May 9, 2018**

FOREIGN PATENT DOCUMENTS

DE 4407100 A1 9/1995
EP 0161831 B1 3/1996

(Continued)

OTHER PUBLICATIONS

T3 Interactive Self Ligation Brochure by American Orthodontics,
2010.
Empower Self Ligating Brochure by American Orthodontics, 2014.

Primary Examiner — Wan Laymon
(74) *Attorney, Agent, or Firm* — Andrus Intellectual
Property Law, LLP

Related U.S. Application Data

(60) Continuation of application No. 29/612,627, filed on
Aug. 2, 2017, now Pat. No. Des. 820,457, which is a
division of application No. 29/545,392, filed on Nov.
12, 2015, now Pat. No. Des. 797,294.

(51) **LOC (11) Cl.** **24-02**
(52) **U.S. Cl.**

USPC **D24/128**; D24/180

(58) **Field of Classification Search**
USPC D24/176–182, 127–128
CPC A61C 7/00; A61C 7/12; A61C 7/14; A61C
7/141; A61C 7/143; A61C 7/145; A61C
7/146; A61C 7/28; A61C 7/287; A61C
7/282; A61C 7/285

See application file for complete search history.

(57) **CLAIM**

The ornamental design for a clip for a self-ligating bracket,
as shown and described.

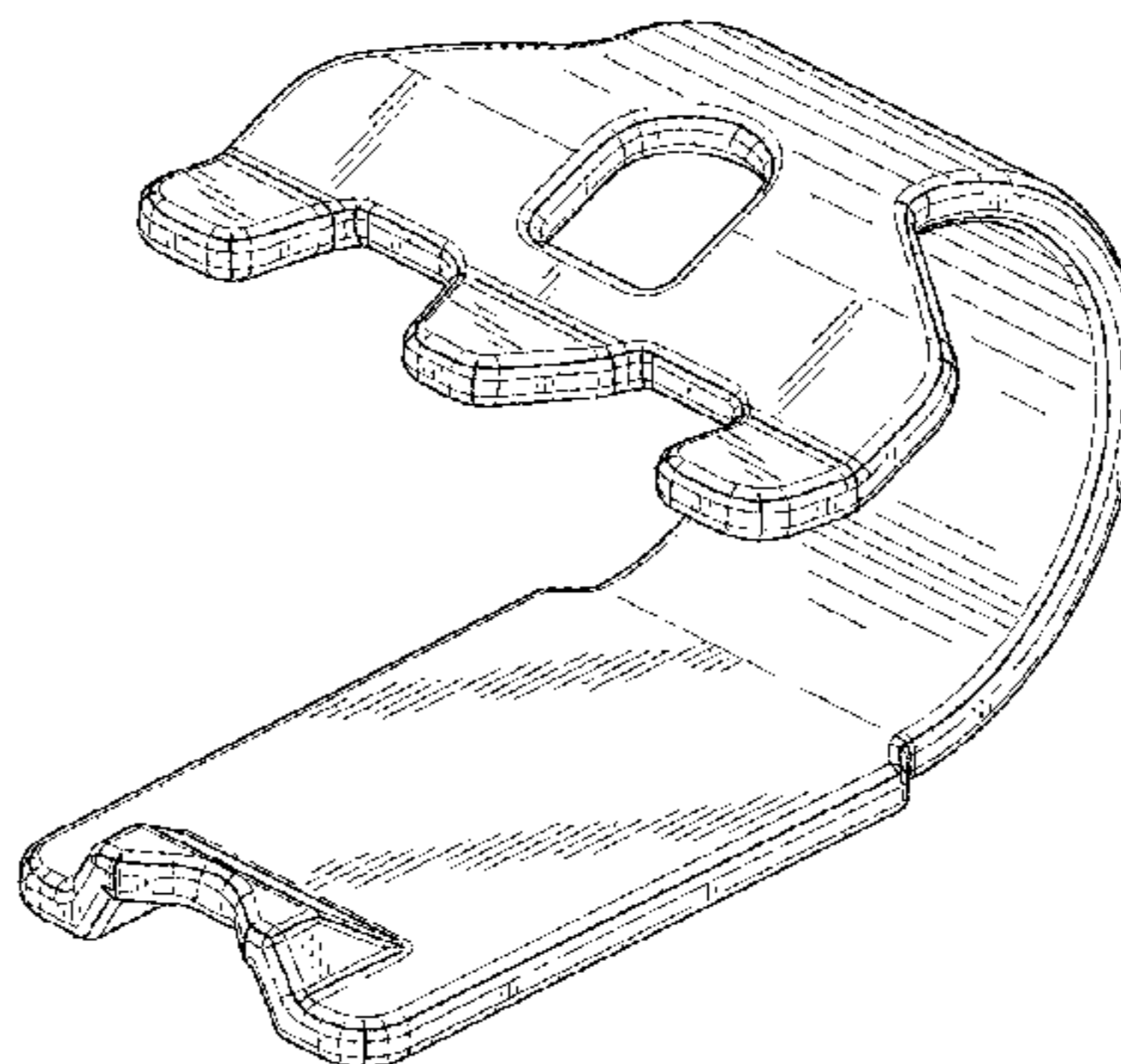
DESCRIPTION

FIG. 1 is a perspective view of a clip for a self-ligating
bracket;
FIG. 2 is a top view thereof;
FIG. 3 is a front view thereof;
FIG. 4 is a right side view thereof;
FIG. 5 is a left side thereof;
FIG. 6 is a bottom view thereof; and,
FIG. 7 is a back view thereof.

(56) **References Cited**
U.S. PATENT DOCUMENTS

536,166 A 3/1895 Angle
2,985,962 A 5/1961 Shiner
4,035,917 A 7/1977 Roberts
4,197,642 A 4/1980 Wallshein
4,248,588 A 2/1981 Hanson

1 Claim, 4 Drawing Sheets



(56)

References Cited

U.S. PATENT DOCUMENTS

6,071,118 A 6/2000 Damon
 6,071,119 A 6/2000 Christoff
 6,168,428 B1 1/2001 Voudouris
 6,257,883 B1 7/2001 Voudouris
 6,368,105 B1 4/2002 Voudouris
 6,464,495 B1 10/2002 Voudouris
 6,632,088 B2 10/2003 Voudouris
 6,776,613 B2 8/2004 Orikasa
 6,843,651 B2* 1/2005 Orikasa A61C 7/287
 433/13
 6,939,133 B2 9/2005 Voudouris
 7,104,791 B2 9/2006 Hanson
 7,214,057 B2 5/2007 Voudouris
 7,247,019 B2 7/2007 Abels
 7,255,557 B2 8/2007 Forster
 7,335,020 B2 2/2008 Castner
 7,416,408 B2 8/2008 Farzin-nia et al.
 7,442,039 B2 10/2008 Opin
 7,611,353 B2 11/2009 Sommer
 7,621,743 B2 11/2009 Bathen
 7,717,706 B2* 5/2010 Forster A61C 7/287
 433/11
 7,963,767 B2 6/2011 Lewis et al.
 7,963,768 B2 6/2011 Hilliard
 7,993,132 B2* 8/2011 Opin A61C 7/287
 433/10
 8,029,276 B1 10/2011 Lokar
 D660,436 S 5/2012 Dupray
 8,636,507 B2 1/2014 Voudouris
 D710,998 S 8/2014 Voudouris
 D715,438 S 10/2014 Hiro
 8,932,053 B2 1/2015 Curiel et al.
 8,944,811 B2 2/2015 Curiel et al.
 9,004,916 B2 4/2015 Ruiz-Vela
 9,089,386 B2 7/2015 Hagelganz

9,393,084 B2 7/2016 Curiel
 9,480,541 B2 11/2016 Falcone
 9,492,247 B2* 11/2016 Ruiz-Vela A61C 7/287
 2006/0228662 A1 10/2006 Lokar
 2007/0166658 A1* 7/2007 Voudouris A61C 7/285
 433/10
 2010/0151403 A1 6/2010 Tuneberg
 2010/0261131 A1 10/2010 Ruiz-Vela et al.
 2012/0135364 A1 5/2012 Tuneberg et al.
 2013/0125398 A1 5/2013 Curiel et al.
 2013/0196279 A1 8/2013 Curiel et al.
 2013/0260329 A1 10/2013 Voudouris
 2013/0273489 A1 10/2013 De Menezes
 2013/0337397 A1 12/2013 Curiel et al.
 2013/0337399 A1 12/2013 Curiel et al.
 2014/0011154 A1 1/2014 Curiel et al.
 2014/0023981 A1 1/2014 Voudouris
 2014/0134563 A1 5/2014 Voudouris
 2014/0199648 A1 7/2014 Lopes
 2014/0308622 A1 10/2014 Voudouris
 2015/0173859 A1 6/2015 Lin et al.
 2016/0135929 A1 5/2016 Sommer
 2017/0027666 A1* 2/2017 Ruiz-Vela A61C 7/287
 2017/0042641 A1 2/2017 Voudouris
 2017/0065376 A1 3/2017 Nazeck

FOREIGN PATENT DOCUMENTS

EP 1234549 A1 8/2002
 EP 1287789 A2 3/2003
 FR 2922753 B1 12/2010
 WO 1998020805 A1 5/1998
 WO 2008044912 A1 4/2008
 WO 2010028276 A1 3/2010
 WO 2010103178 A1 9/2010
 WO 2006094403 A1 9/2016

* cited by examiner

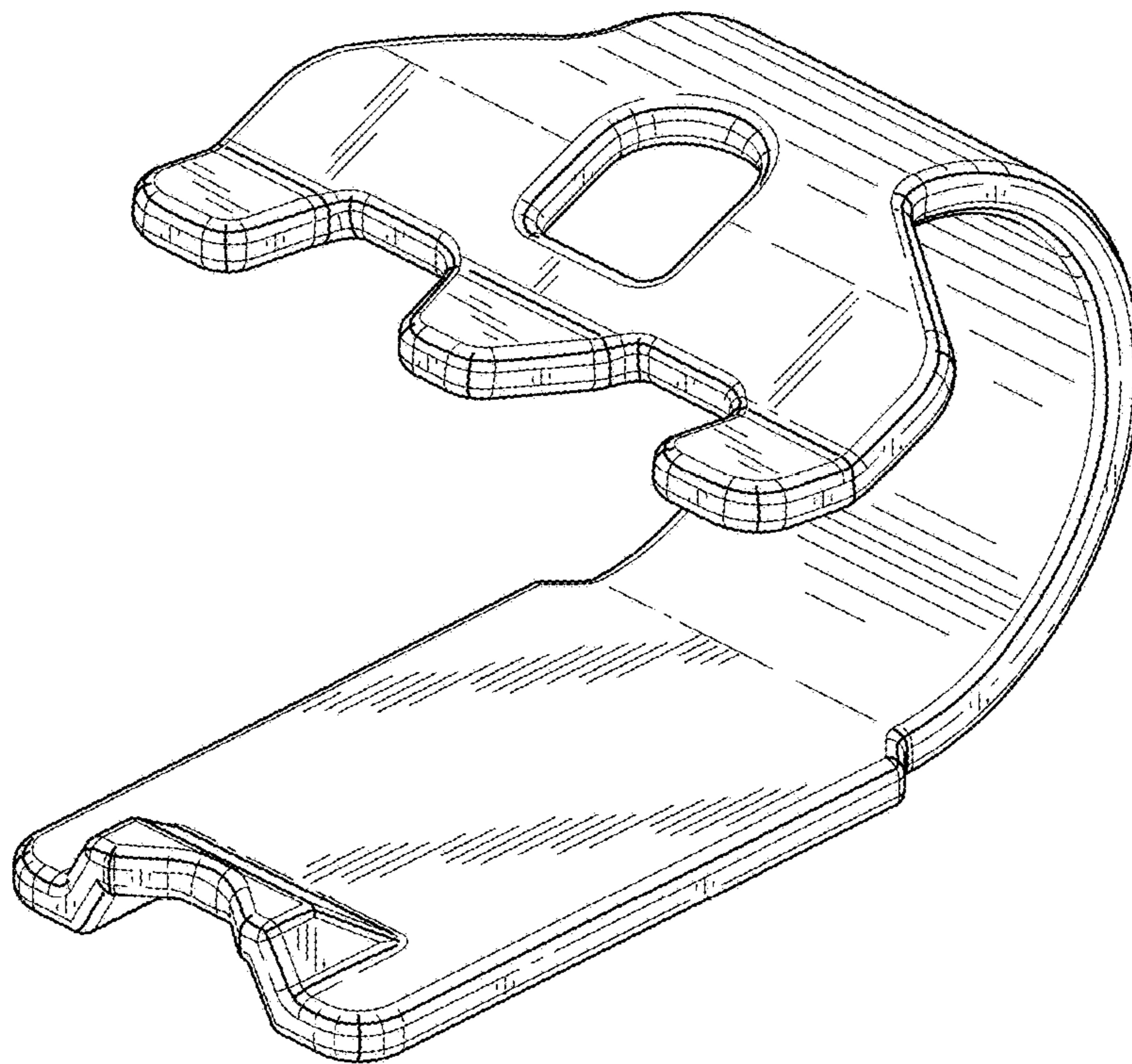
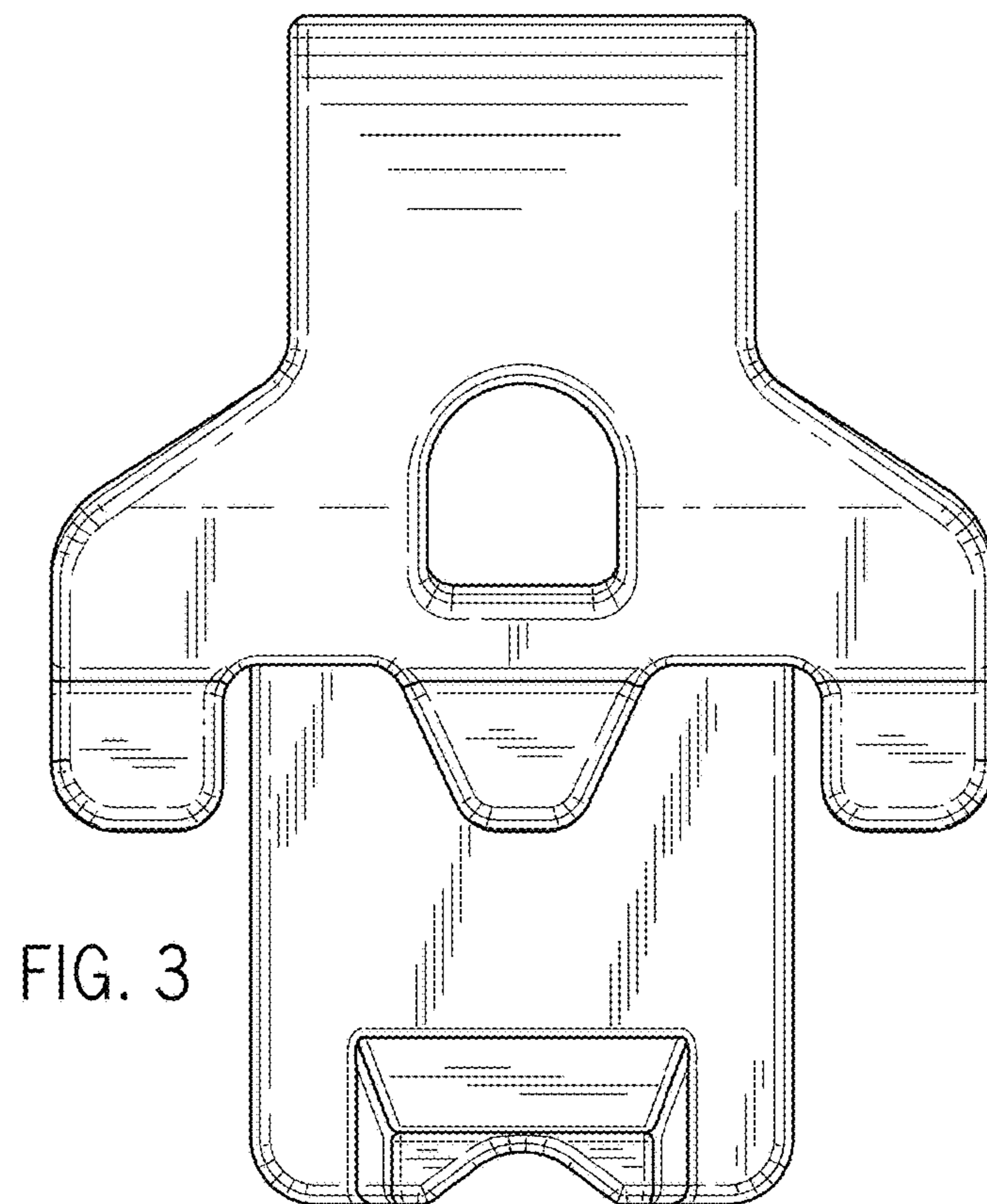
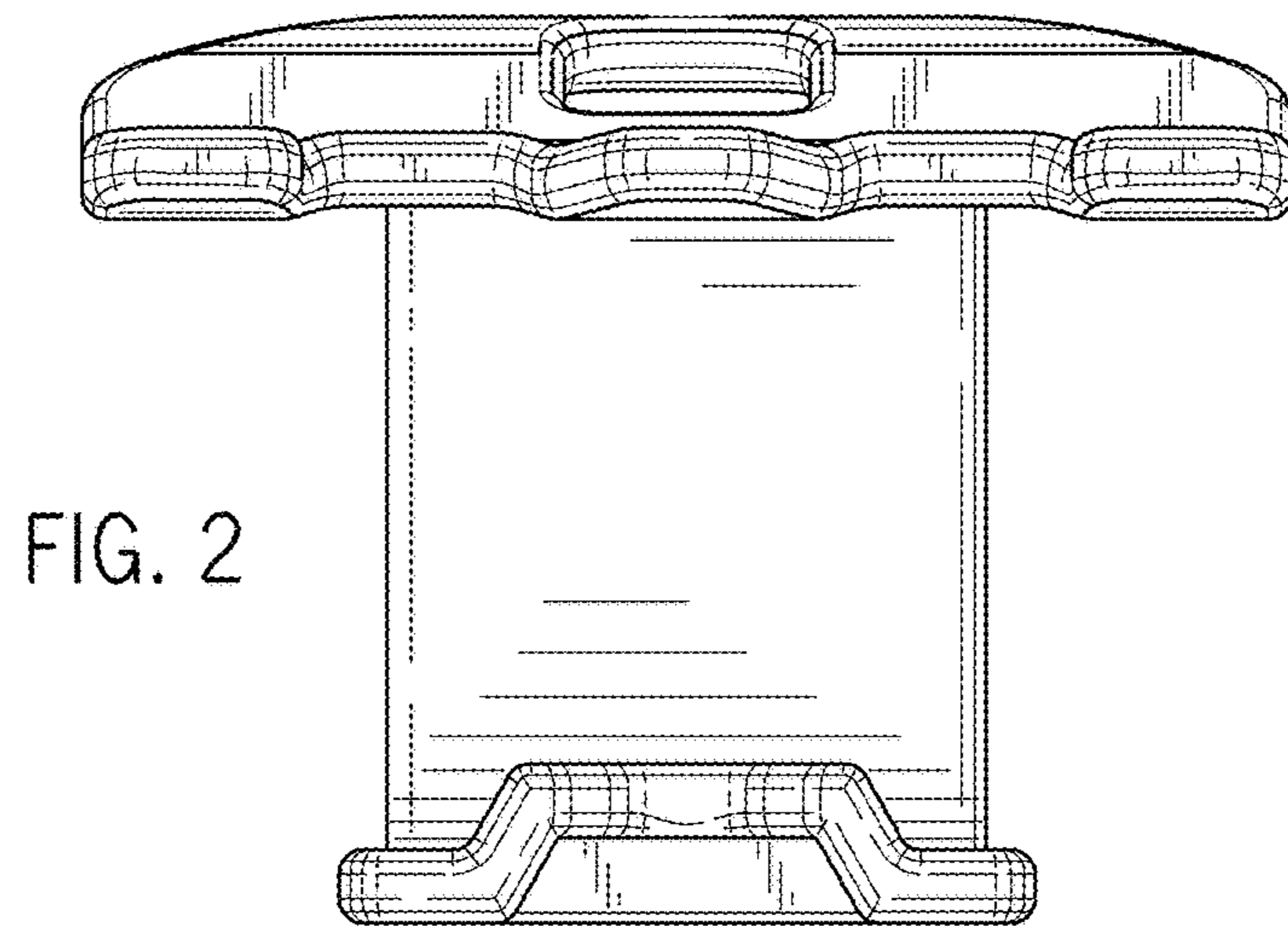


FIG. 1



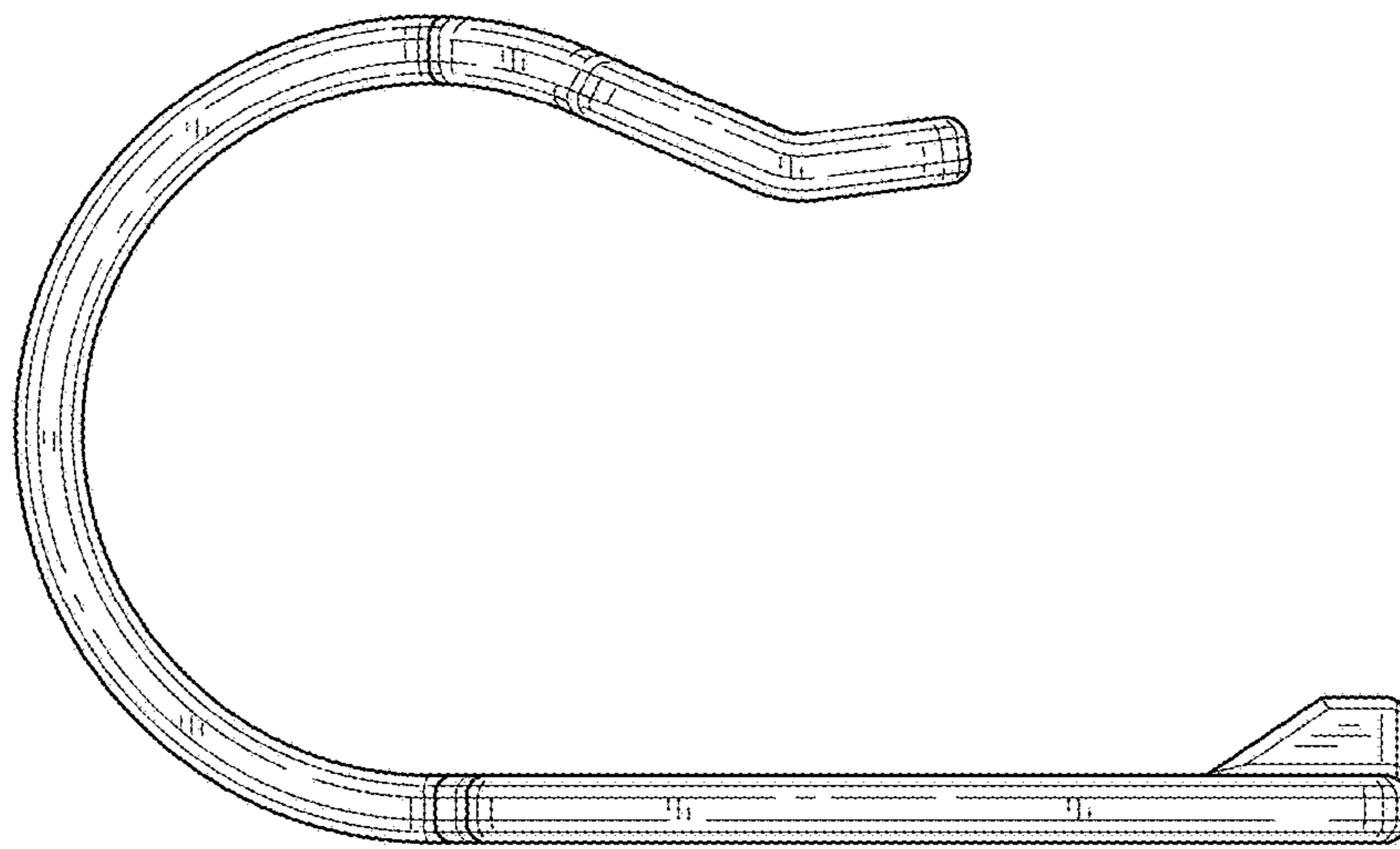


FIG. 4

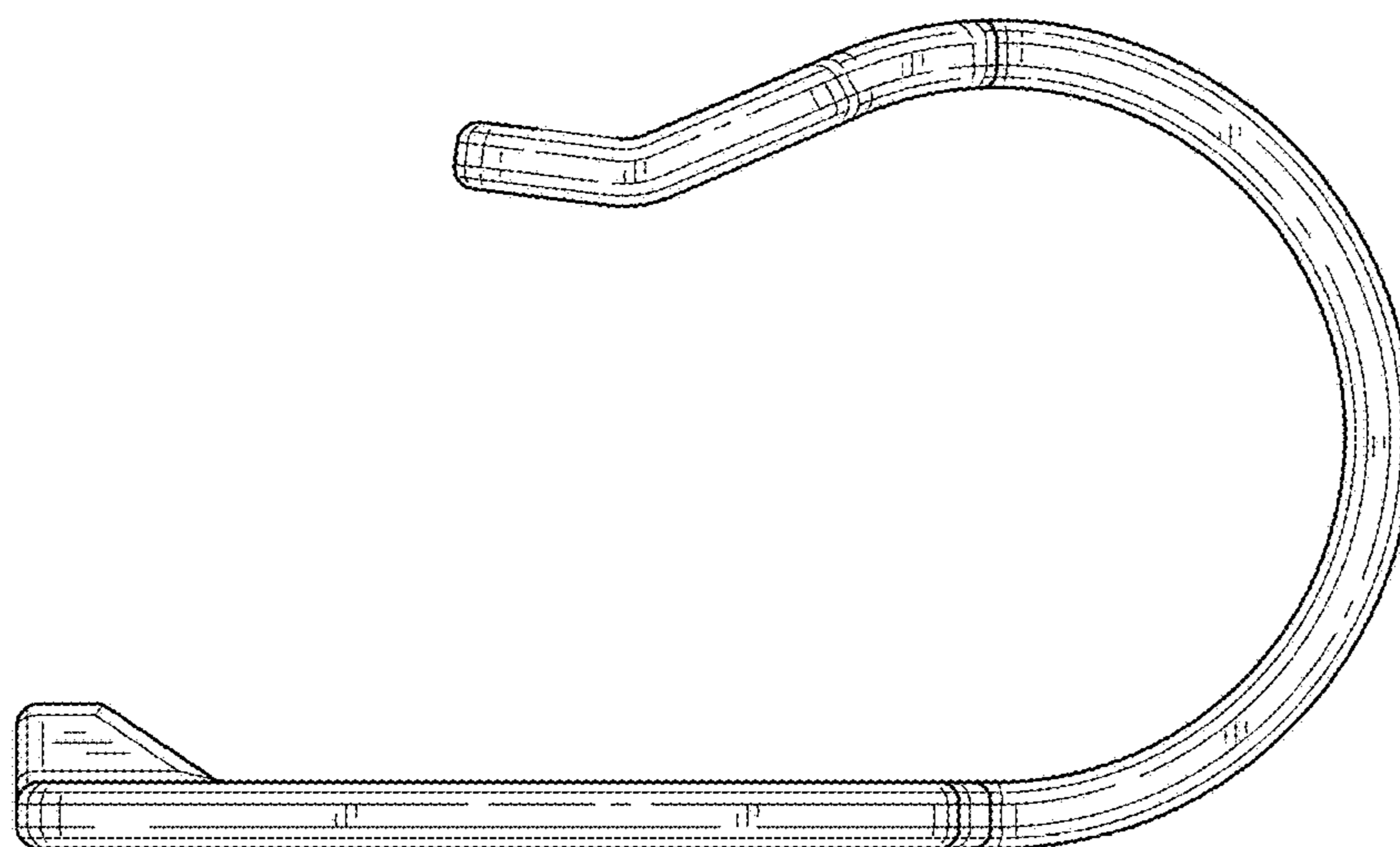


FIG. 5

