



US00D841803S

(12) **United States Design Patent** (10) **Patent No.:** **US D841,803 S**
Lee (45) **Date of Patent:** **** Feb. 26, 2019**

(54) **CRADLE FOR AUTOMATIC INJECTING DEVICE**

(71) Applicant: **BOMTECH ELECTRONICS Co., Ltd.**, Seoul (KR)

(72) Inventor: **Jong-dae Lee**, Seoul (KR)

(73) Assignee: **BOMTECH ELECTRONICS CO., LTD.**, Seoul (KR)

(**) Term: **15 Years**

(21) Appl. No.: **29/619,322**

(22) Filed: **Sep. 28, 2017**

(30) **Foreign Application Priority Data**

Jun. 5, 2017 (KR) 30-2017-0025300

(51) **LOC (11) Cl.** **24-02**

(52) **U.S. Cl.**
USPC **D24/128**

(58) **Field of Classification Search**
USPC D24/127-131, 112-114, 133, 186;
606/181, 185; 604/264, 523-528, 272,
604/187, 158, 164.01-164.11, 181, 184,
604/227; 600/101, 139, 143;
128/200.24, 207.14, 207.15; D8/396
CPC .. A61M 25/065; A61M 5/42; A61M 25/0612;
A61M 25/00; A61M 39/00; A61M 27/00;
A61M 25/0043; A61M 25/0067; A61M
25/0097; A61F 2/958
See application file for complete search history.

(56) **References Cited**

U.S. PATENT DOCUMENTS

D350,201 S * 8/1994 Hirsch D24/128
D362,064 S * 9/1995 Smick D24/130

D367,531 S * 2/1996 Price D24/133
6,672,305 B2 * 1/2004 Parker A61M 16/0488
128/200.26
D571,465 S * 6/2008 Koros D24/133
D590,061 S * 4/2009 Stephens D24/129
D601,247 S * 9/2009 Hardin D24/128
D619,706 S * 7/2010 Schon D24/129
D793,549 S * 8/2017 Defusco D24/128
D802,150 S * 11/2017 Lund D24/186

* cited by examiner

Primary Examiner — David G Muller

(74) *Attorney, Agent, or Firm* — Ulmer & Berne LLP

(57) **CLAIM**

The ornamental design for a cradle for automatic injecting device, as shown and described.

DESCRIPTION

FIG. 1 is a front top right perspective view of the cradle for automatic injecting device;
FIG. 2 is a front elevational view of the cradle for automatic injecting device of FIG. 1;
FIG. 3 is a rear elevational view of the cradle for automatic injecting device of FIG. 1;
FIG. 4 is a left side elevational view of the cradle for automatic injecting device of FIG. 1;
FIG. 5 is a right side elevational view of the cradle for automatic injecting device of FIG. 1;
FIG. 6 is a top plan view of the cradle for automatic injecting device of FIG. 1;
FIG. 7 is a bottom plan view of the cradle for automatic injecting device of FIG. 1; and,
FIG. 8 is a front top right perspective view of the cradle for automatic injecting device of FIG. 1, shown cradling an automatic injecting device.
The broken lines shown represent unclaimed subject matter and form no part of the claimed design.

1 Claim, 8 Drawing Sheets

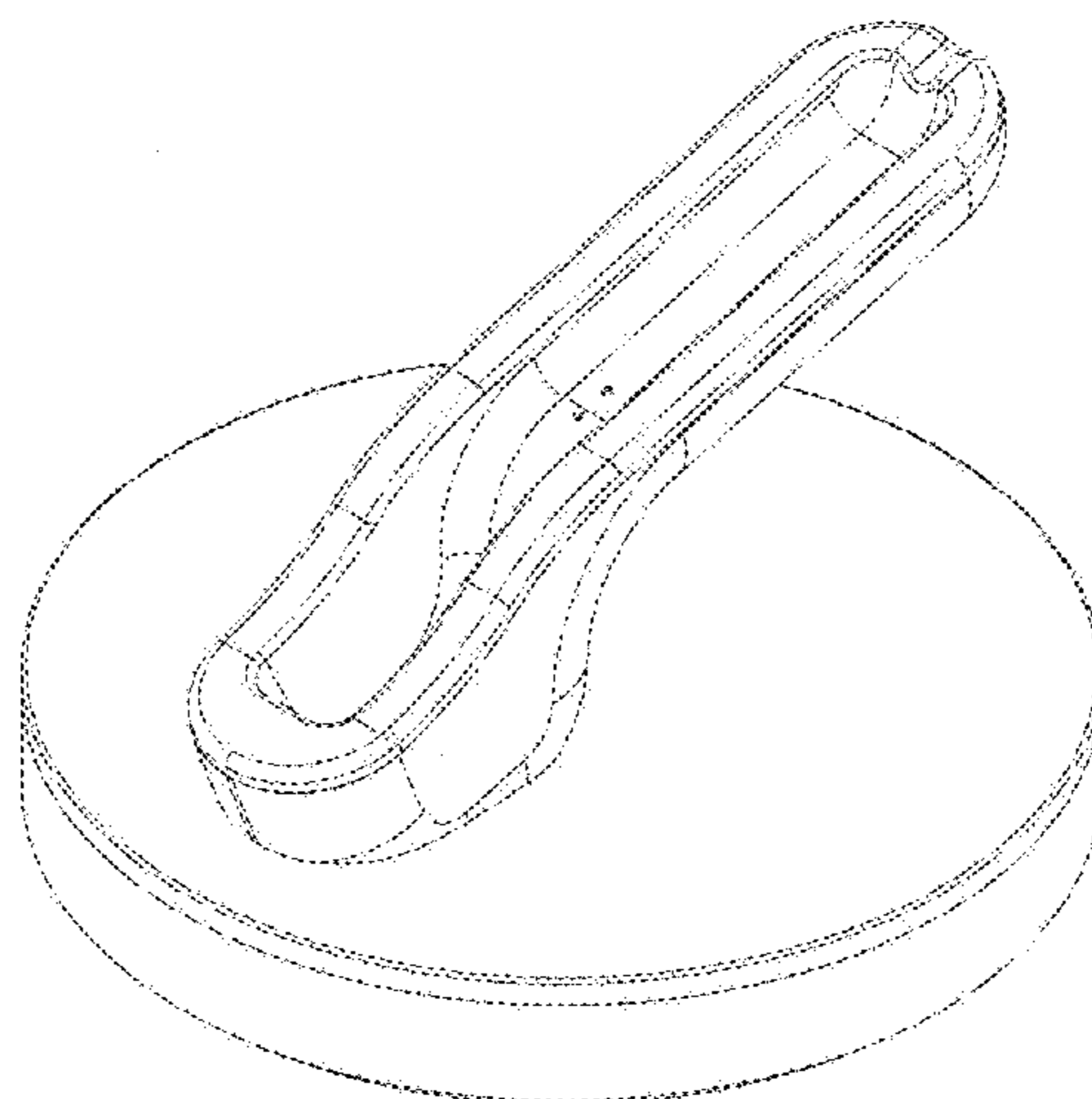


FIG. 1

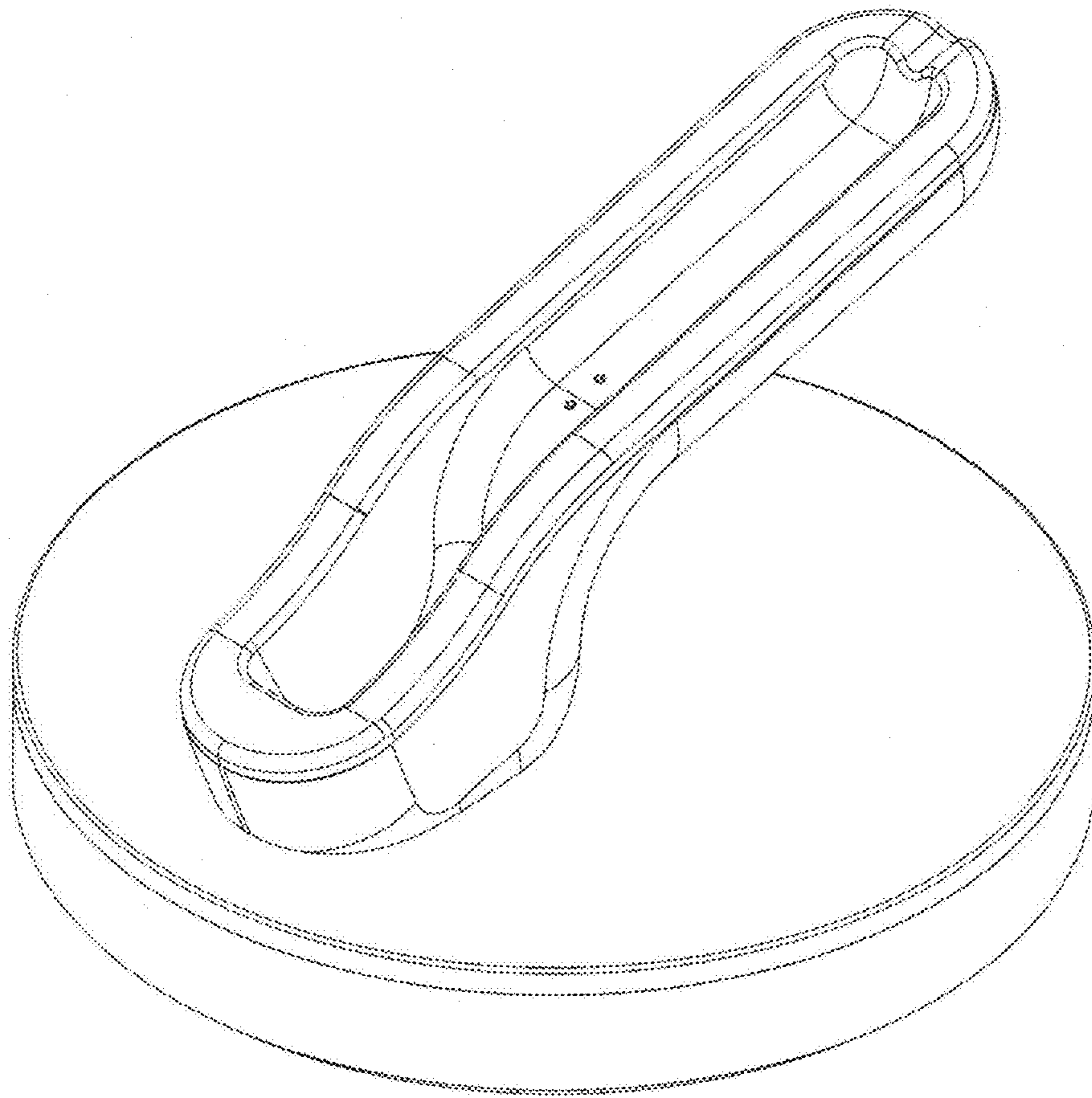


FIG. 2

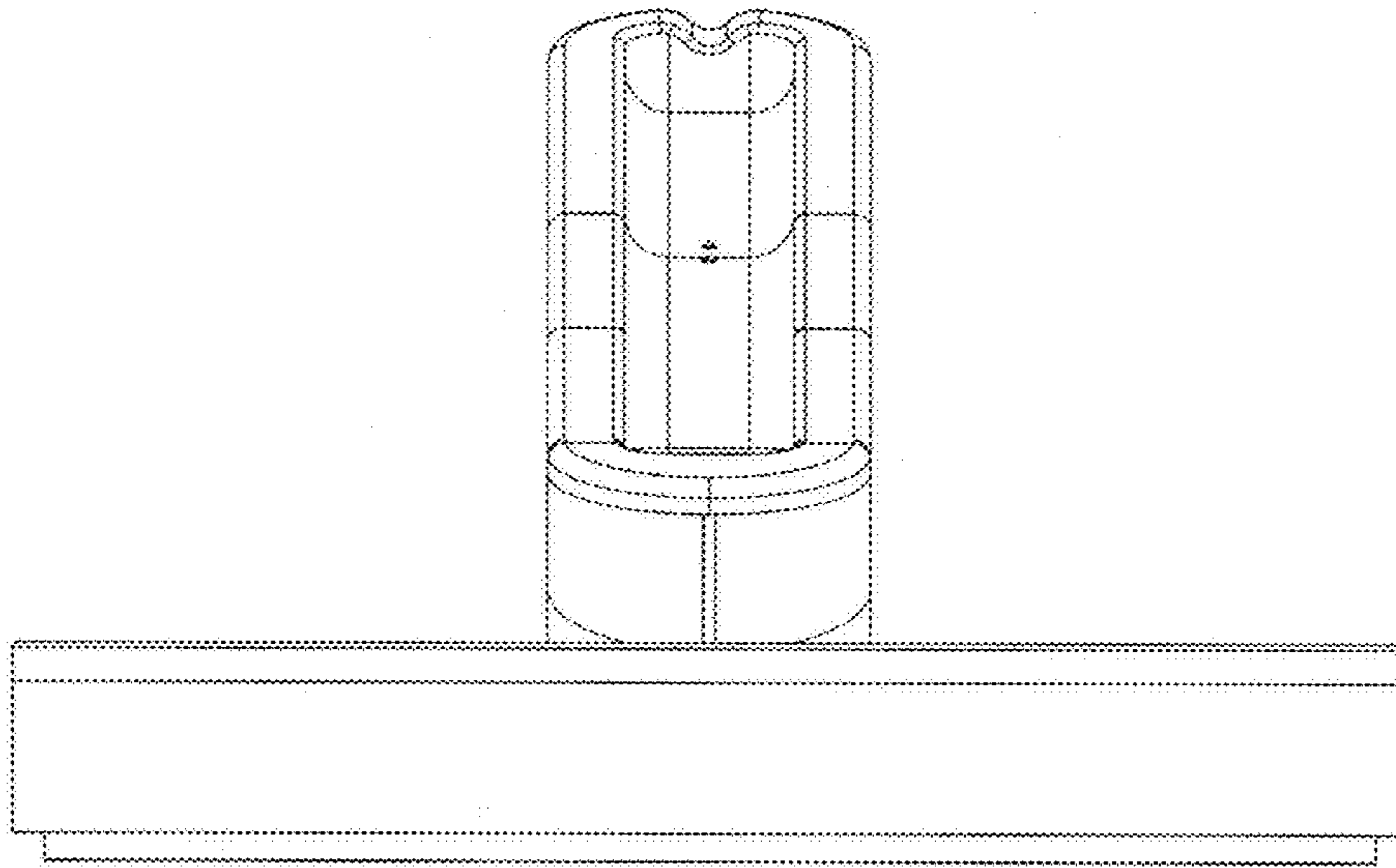


FIG. 3

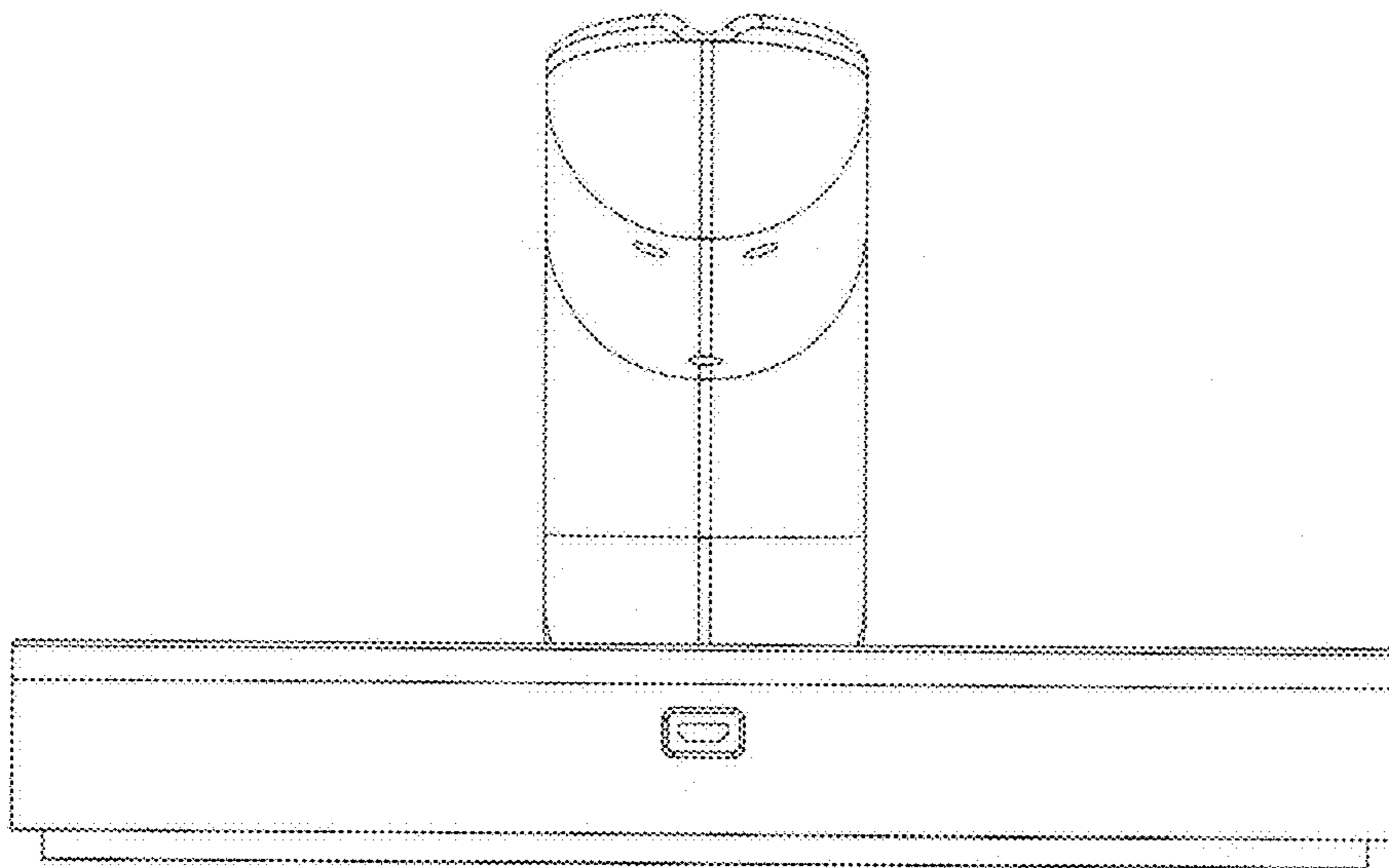


FIG. 4

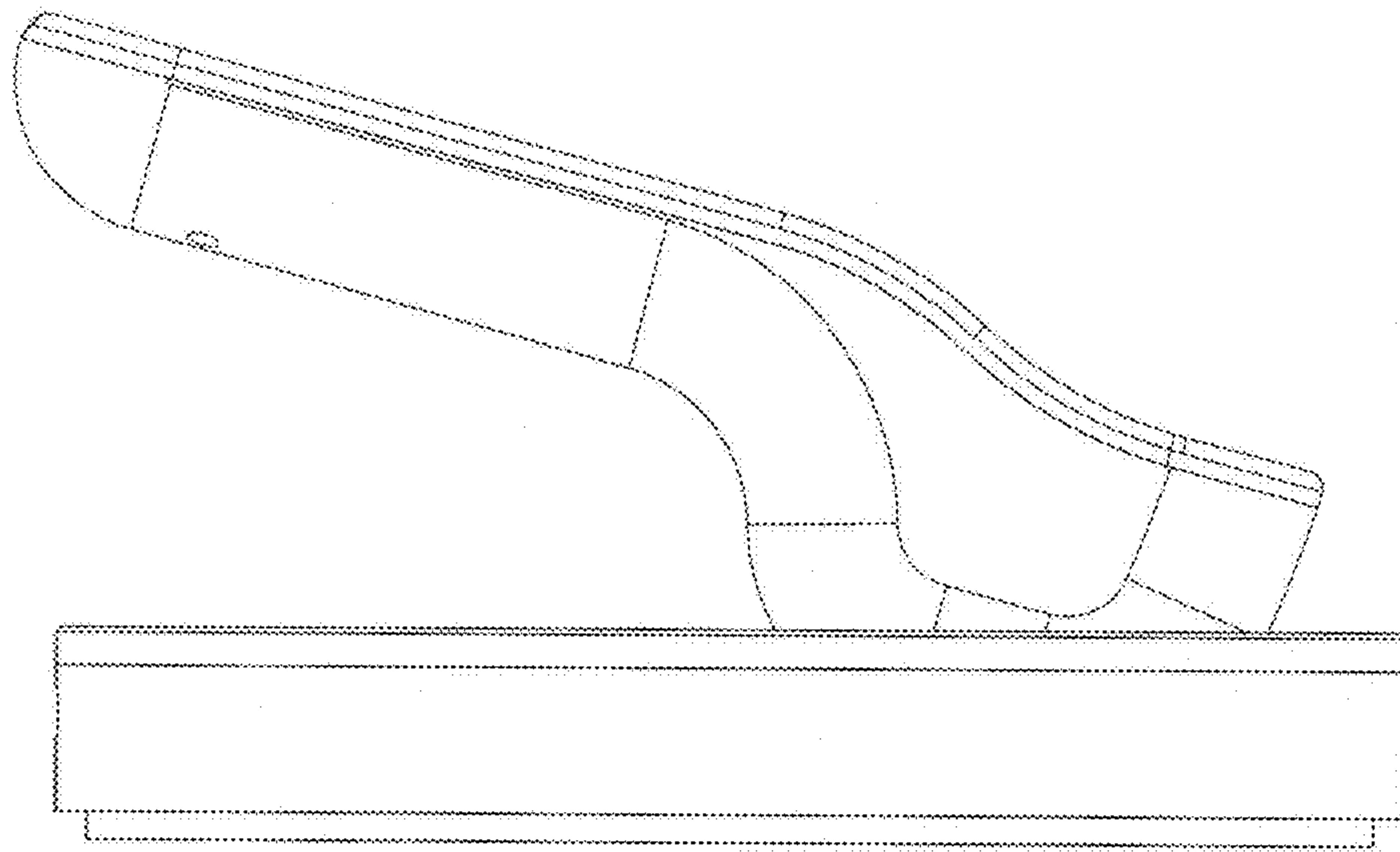


FIG. 5

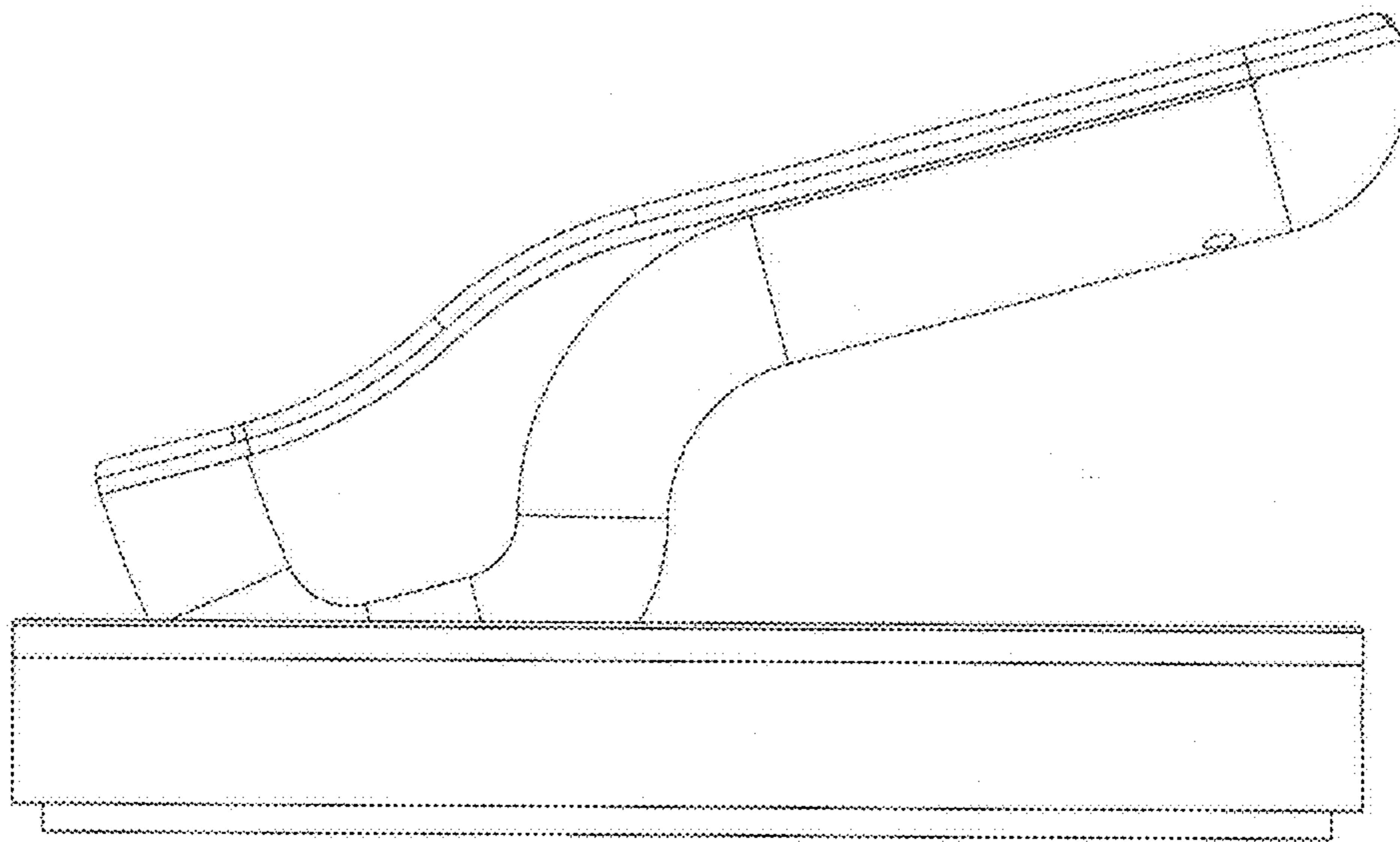


FIG. 6

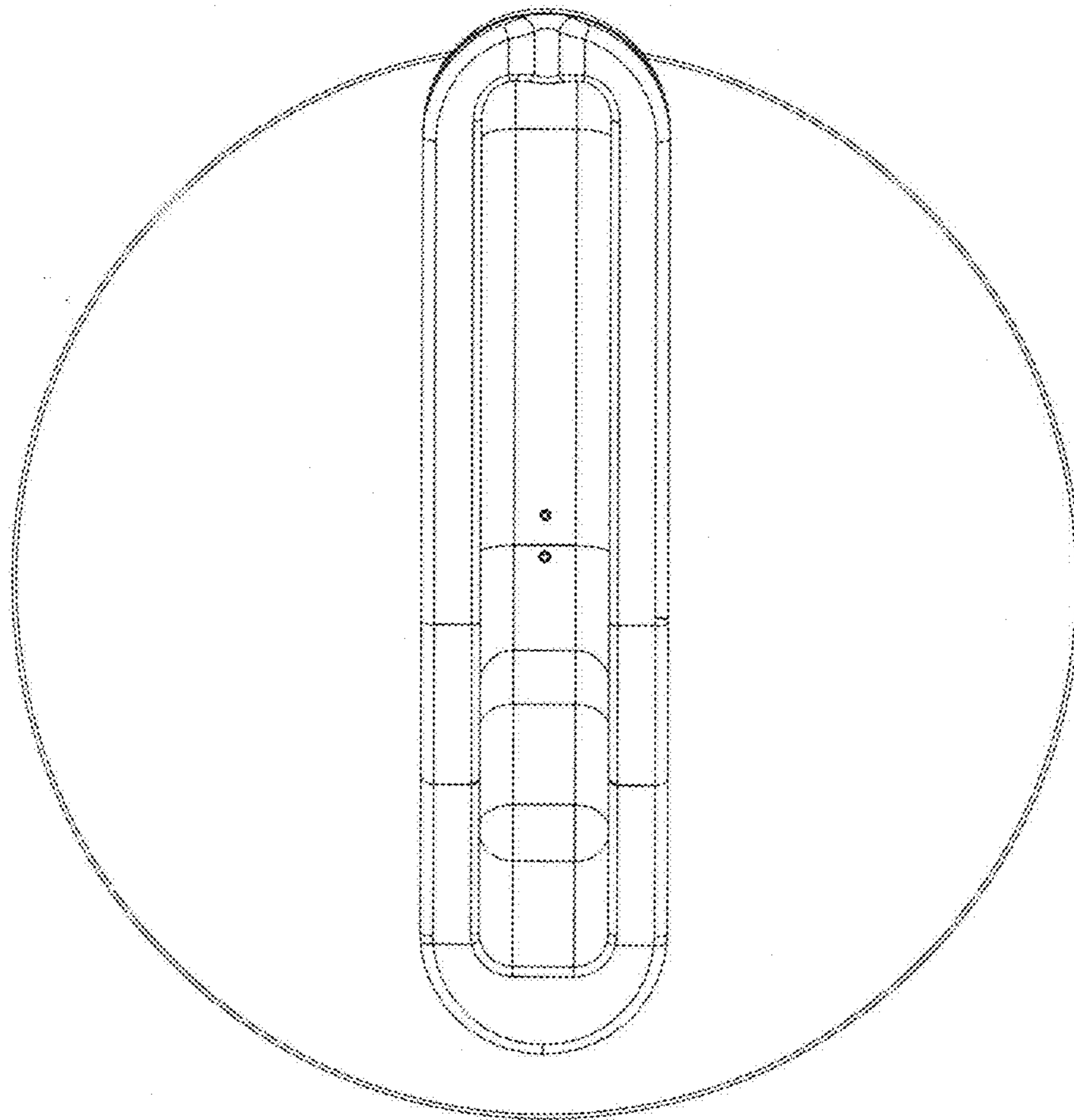


FIG. 7

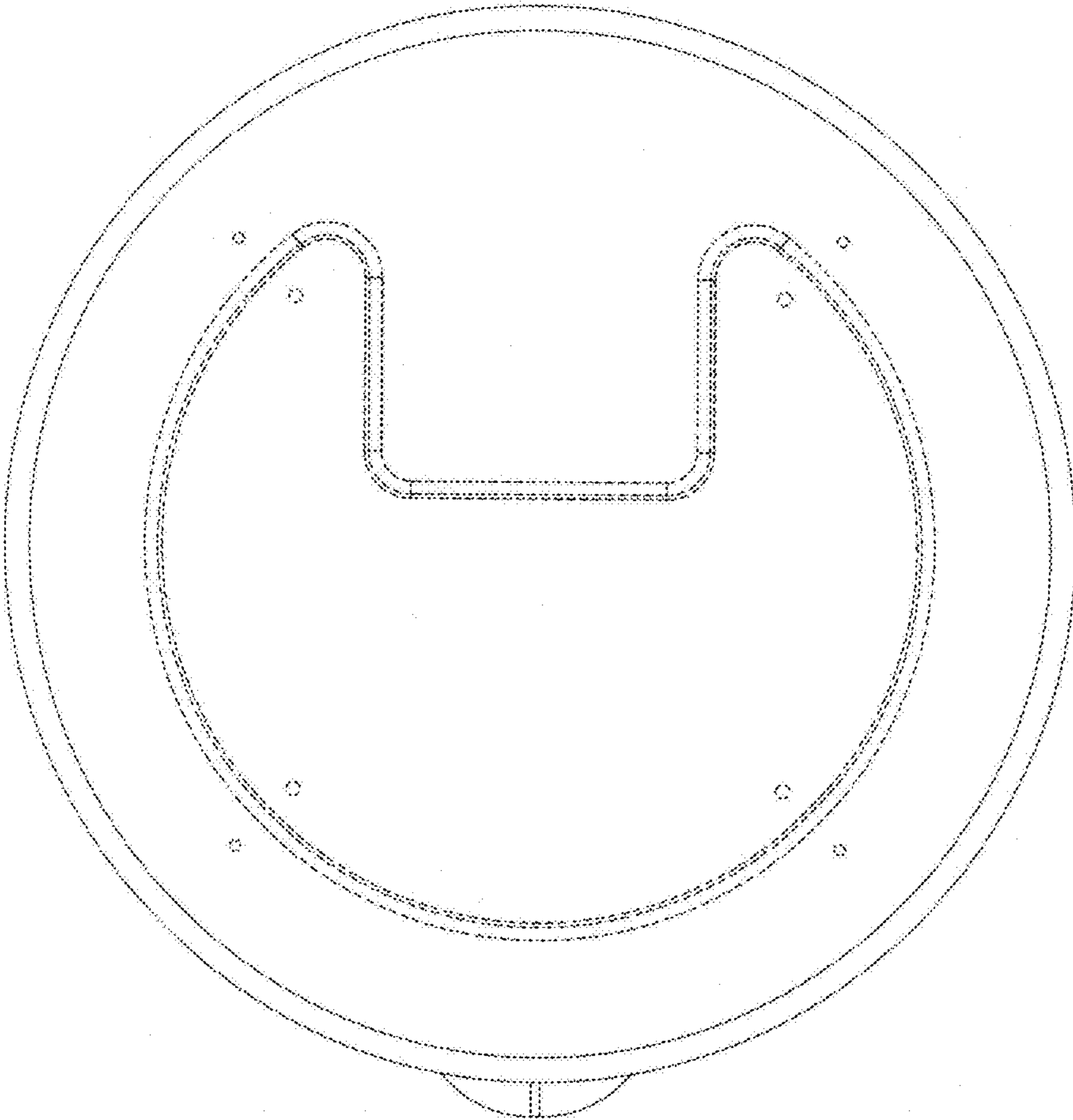


FIG. 8

