



US00D841802S

(12) **United States Design Patent**  
**Wakabayashi et al.**

(10) **Patent No.:** **US D841,802 S**  
(45) **Date of Patent:** **\*\* Feb. 26, 2019**

- (54) **MEDICAL TUBE HOLDER**
- (71) Applicant: **ATOM MEDICAL CORPORATION**,  
Bunkyo-ku, Tokyo (JP)
- (72) Inventors: **Keisuke Wakabayashi**, Saitama (JP);  
**Masaaki Oohashi**, Saitama (JP);  
**Yoshiyuki Komiyama**, Saitama (JP);  
**Ichiro Matsubara**, Tokyo (JP)
- (73) Assignee: **ATOM MEDICAL CORPORATION**,  
Tokyo (JP)
- (\*\*) Term: **15 Years**
- (21) Appl. No.: **29/609,320**
- (22) Filed: **Jun. 29, 2017**
- (30) **Foreign Application Priority Data**

- Jan. 12, 2017 (JP) ..... 2017-000332
- (51) **LOC (11) Cl.** ..... **24-02**
- (52) **U.S. Cl.**  
USPC ..... **D24/128**
- (58) **Field of Classification Search**  
USPC ..... D24/127-131, 112-114, 133, 186;  
606/181, 185; 604/264, 523-528, 272,  
604/187, 158, 164.01-164.11, 181, 184,  
604/227; 600/101, 139, 143;  
128/200.24, 207.14, 207.15; D8/396  
CPC .. A61M 25/065; A61M 5/42; A61M 25/0612;  
A61M 25/00; A61M 39/00; A61M 27/00;  
A61M 25/0043; A61M 25/0067; A61M  
25/0097  
See application file for complete search history.

(56) **References Cited**

**U.S. PATENT DOCUMENTS**

- D291,728 S \* 9/1987 Hoyt ..... D24/130
- D322,735 S \* 12/1991 Morton ..... D7/400
- D376,974 S \* 12/1996 Chen ..... 24/274 WB

- D389,052 S \* 1/1998 Yamamoto ..... D8/396
- D389,733 S \* 1/1998 Nakamura ..... D8/382
- 6,405,414 B1 \* 6/2002 Byrnes ..... A61M 25/00  
24/339
- D484,592 S \* 12/2003 Ryhman ..... D24/128
- D536,607 S \* 2/2007 Bekkevold ..... D8/396

(Continued)

**FOREIGN PATENT DOCUMENTS**

- JP 2013-56114 A 3/2013
- Primary Examiner* — David G Muller
- (74) *Attorney, Agent, or Firm* — Brinks Gilson & Lione

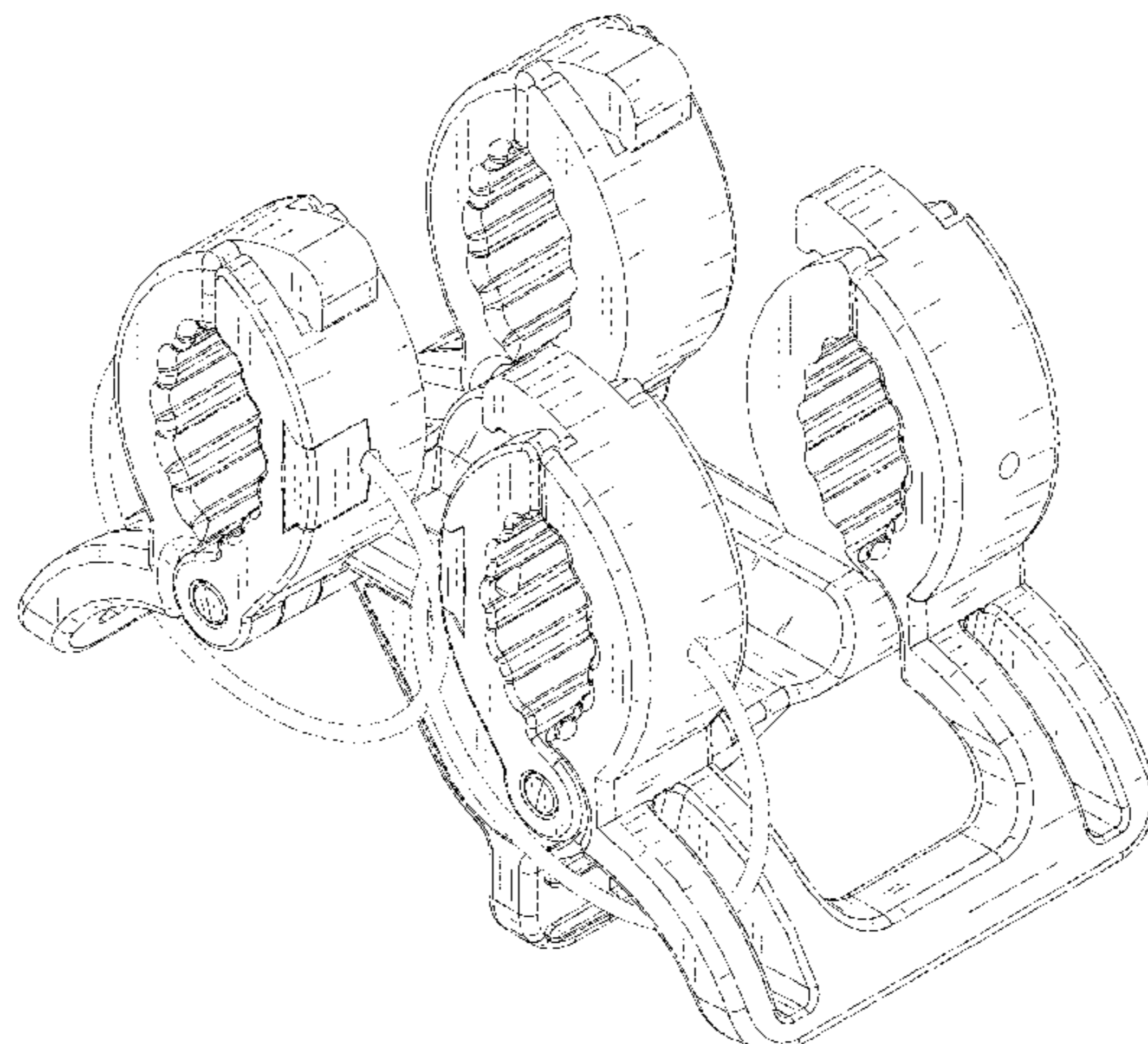
(57) **CLAIM**

We claim the ornamental design for a medical tube holder, as shown and described.

**DESCRIPTION**

FIG. 1 is a front view of a medical tube holder of the present invention, with two pairs of claws shown in a closed position;  
 FIG. 2 is a rear view thereof;  
 FIG. 3 is a plain view thereof;  
 FIG. 4 is a bottom view thereof;  
 FIG. 5 is a left side view thereof;  
 FIG. 6 is a right side view thereof;  
 FIG. 7 is a perspective view thereof;  
 FIG. 8 is a front view of the medical tube holder of the present invention, with the two pairs of claws shown in an open position;  
 FIG. 9 is a rear view thereof;  
 FIG. 10 is a plain view thereof;  
 FIG. 11 is a bottom view thereof;  
 FIG. 12 is a left side view thereof;  
 FIG. 13 is a right side view thereof; and,  
 FIG. 14 is a perspective view thereof.  
 The broken line showing of parts of the drawings is included for the purpose of illustrating use and environment and forms no part of the claimed design.

**1 Claim, 14 Drawing Sheets**



(56)

**References Cited**

U.S. PATENT DOCUMENTS

D695,100 S \* 12/2013 Whitaker ..... D8/396  
D761,643 S \* 7/2016 Papafagos ..... D8/396  
D780,860 S \* 3/2017 Jones ..... D21/694  
D804,942 S \* 12/2017 Toll ..... D8/396  
D808,256 S \* 1/2018 Muller ..... D8/396  
2013/0174838 A1 7/2013 Youngblood

\* cited by examiner

FIG. 1

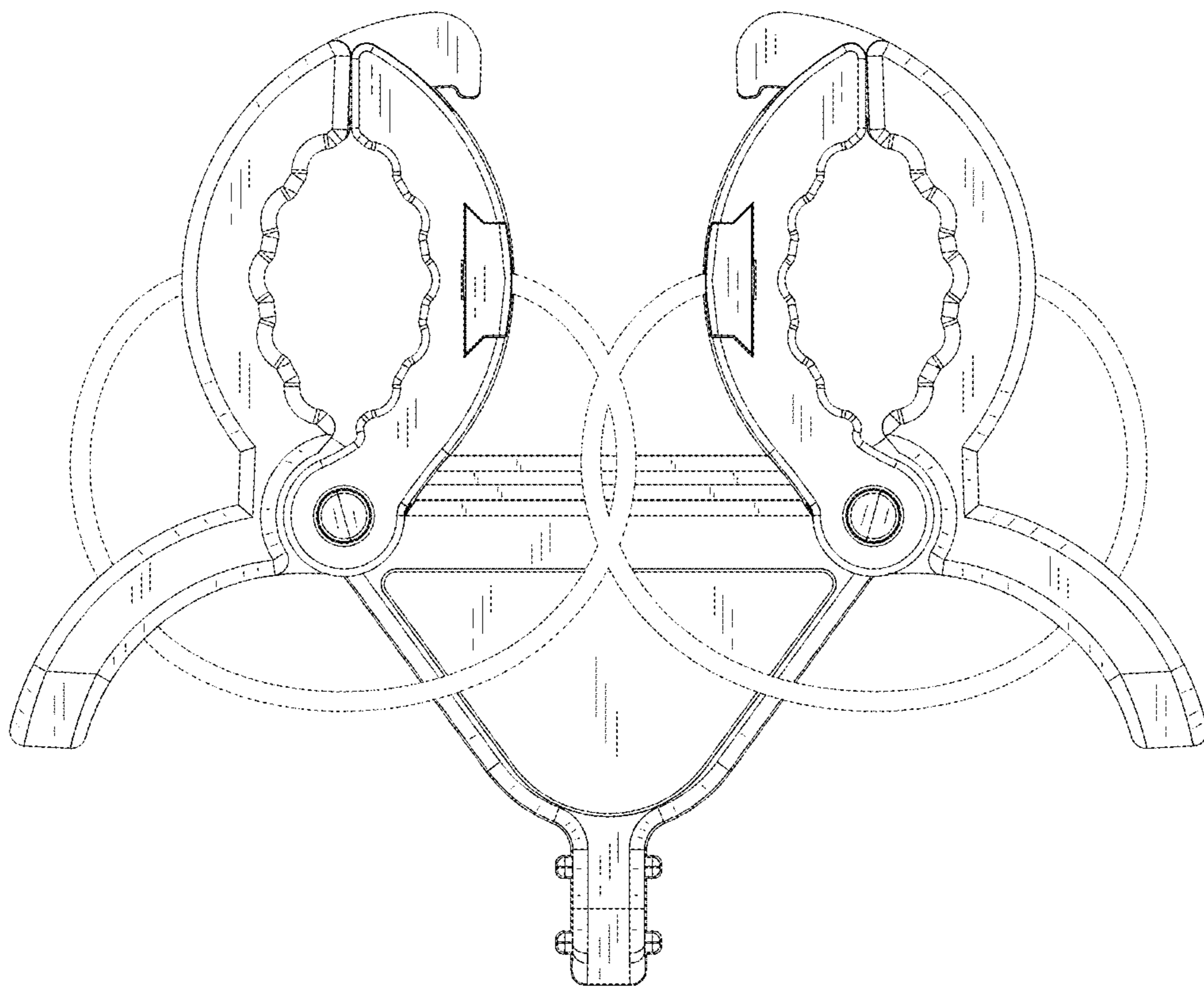


FIG. 2

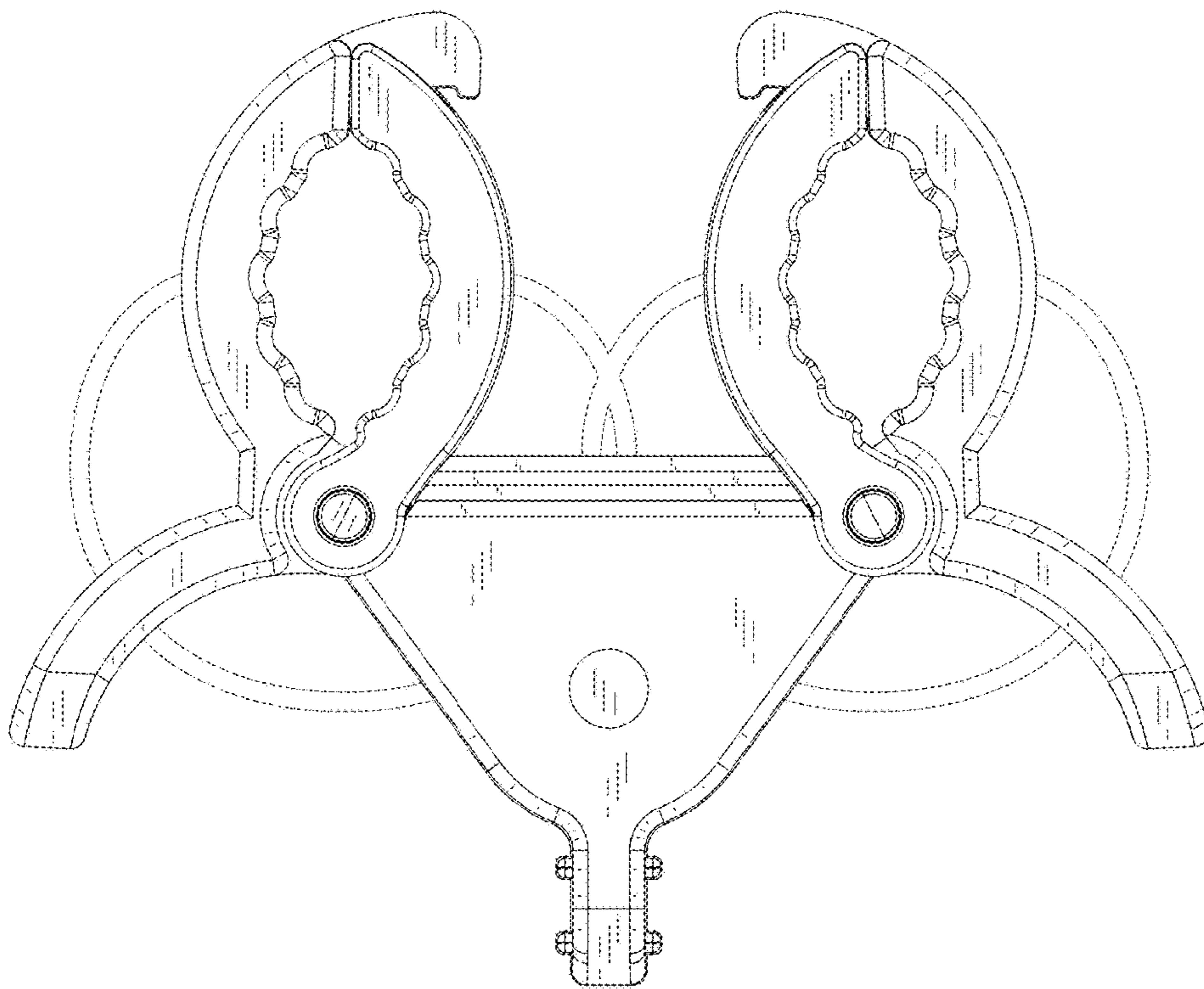


FIG. 3

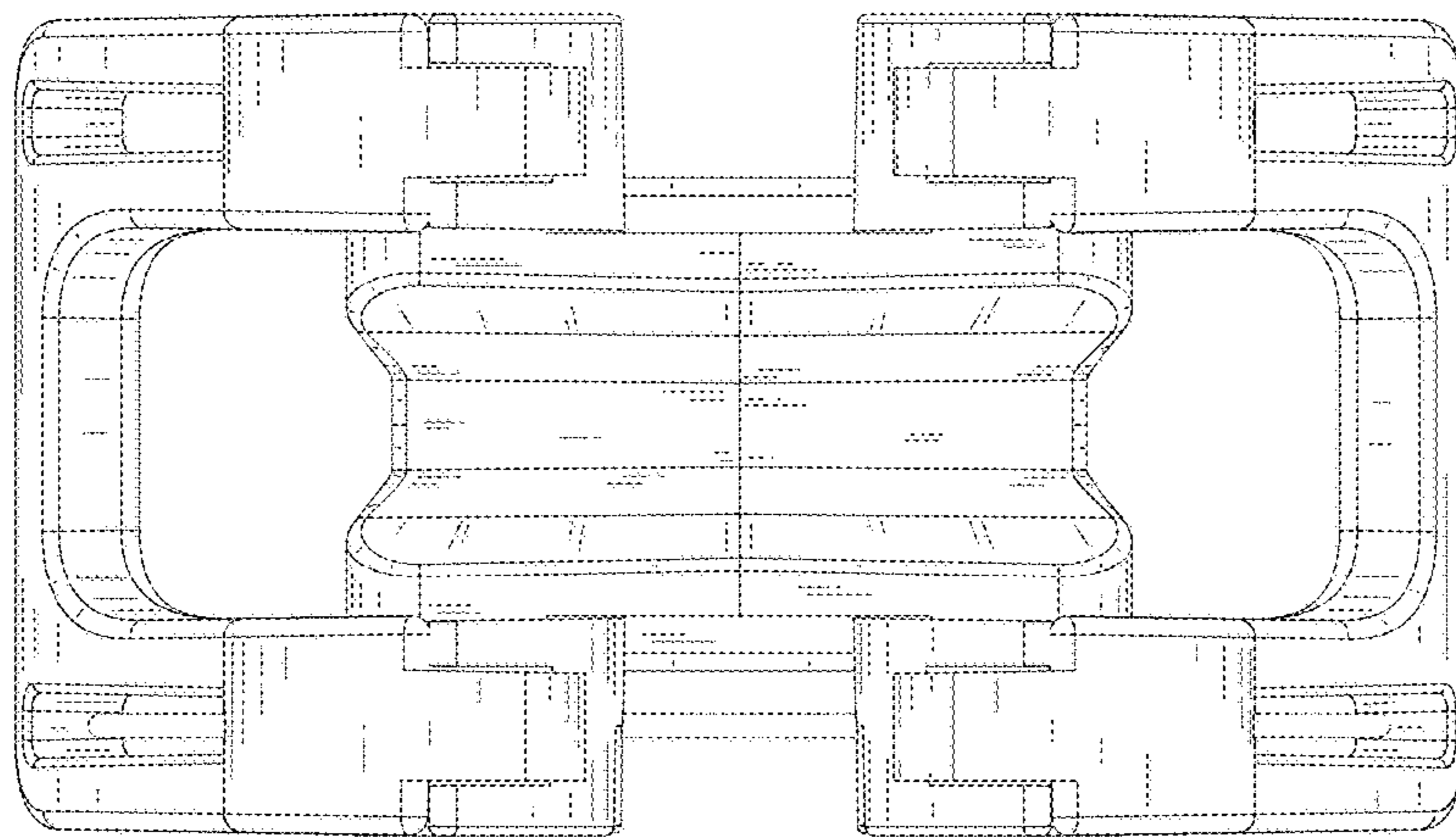


FIG. 4

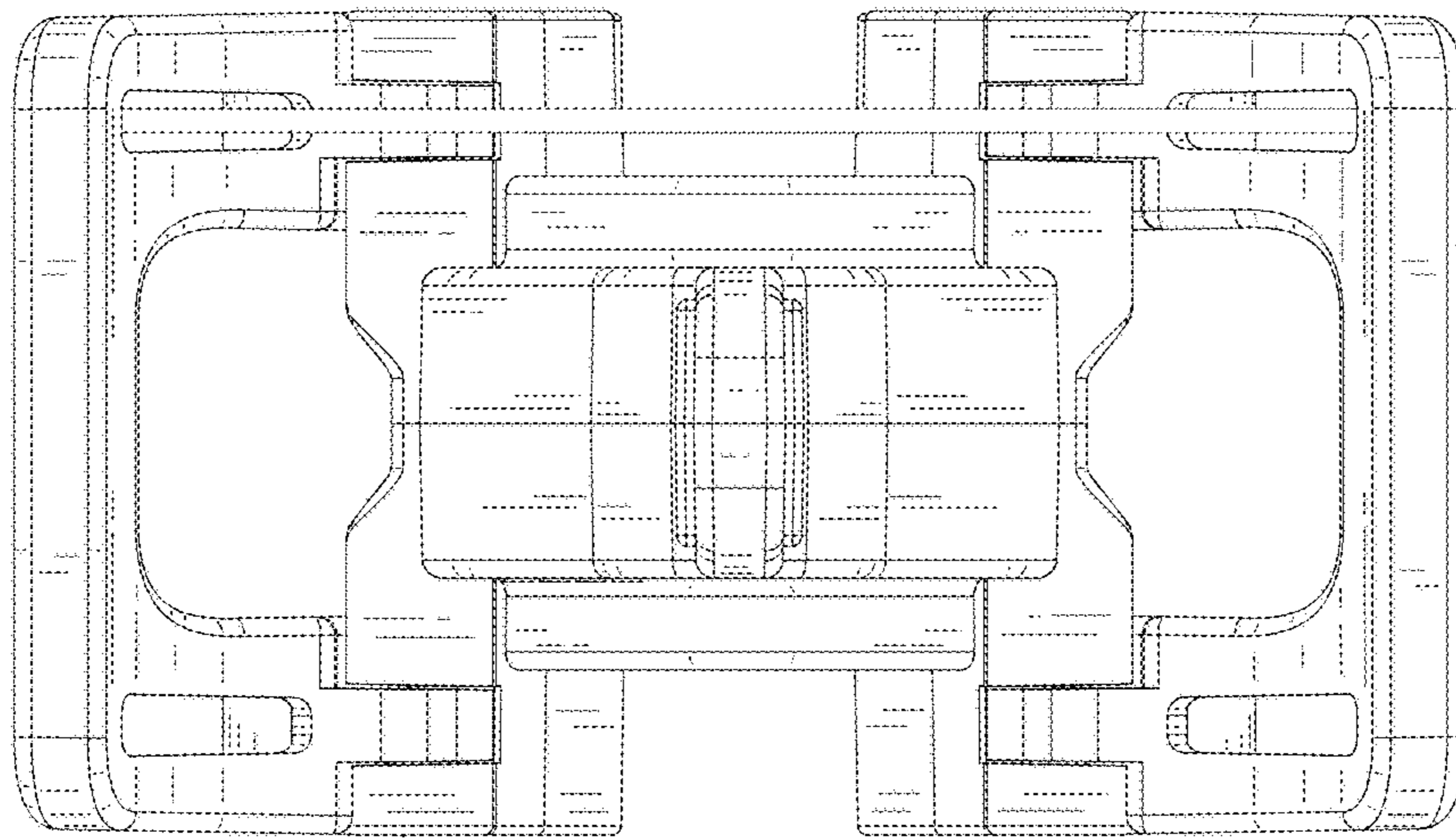


FIG. 5

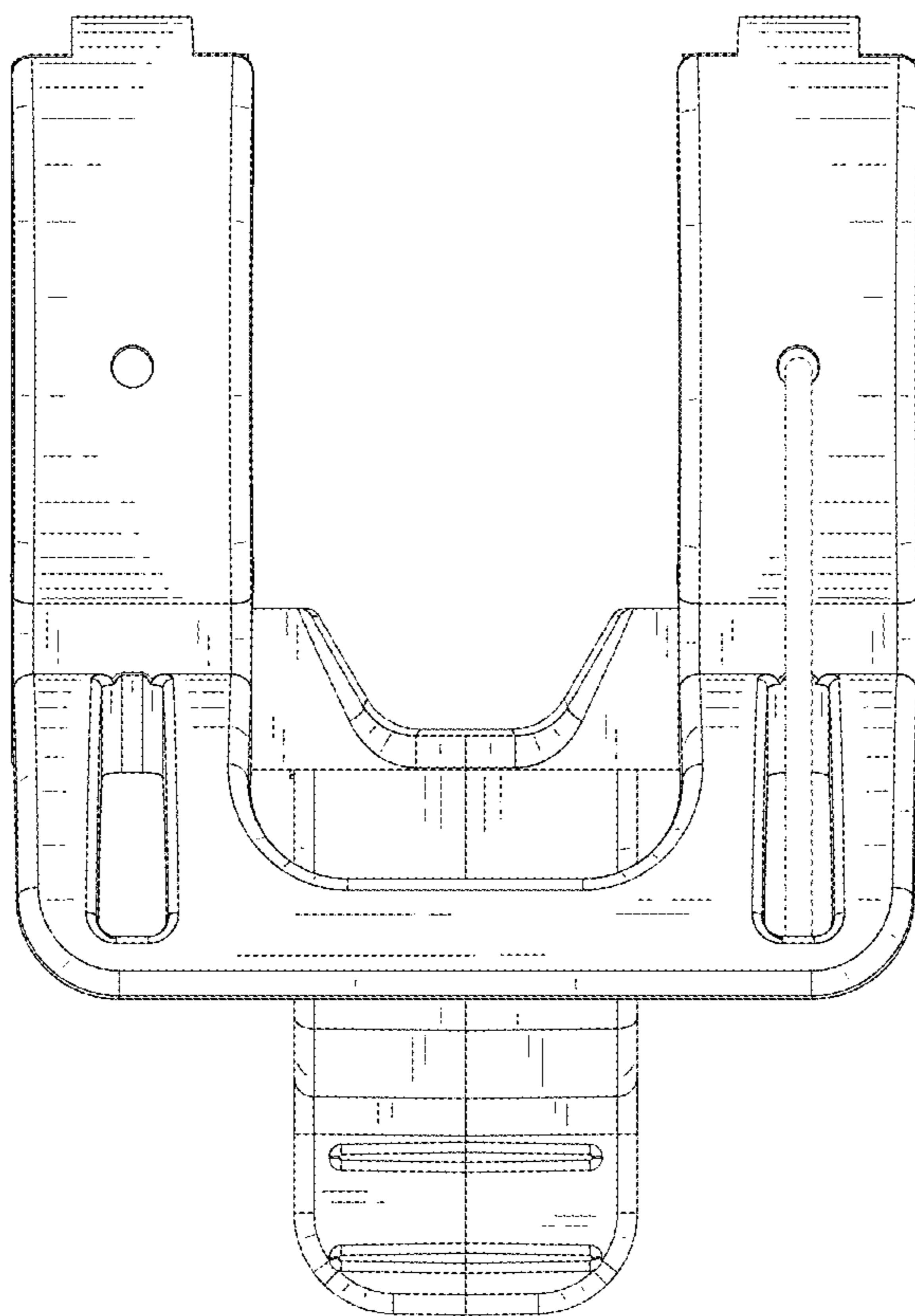


FIG. 6

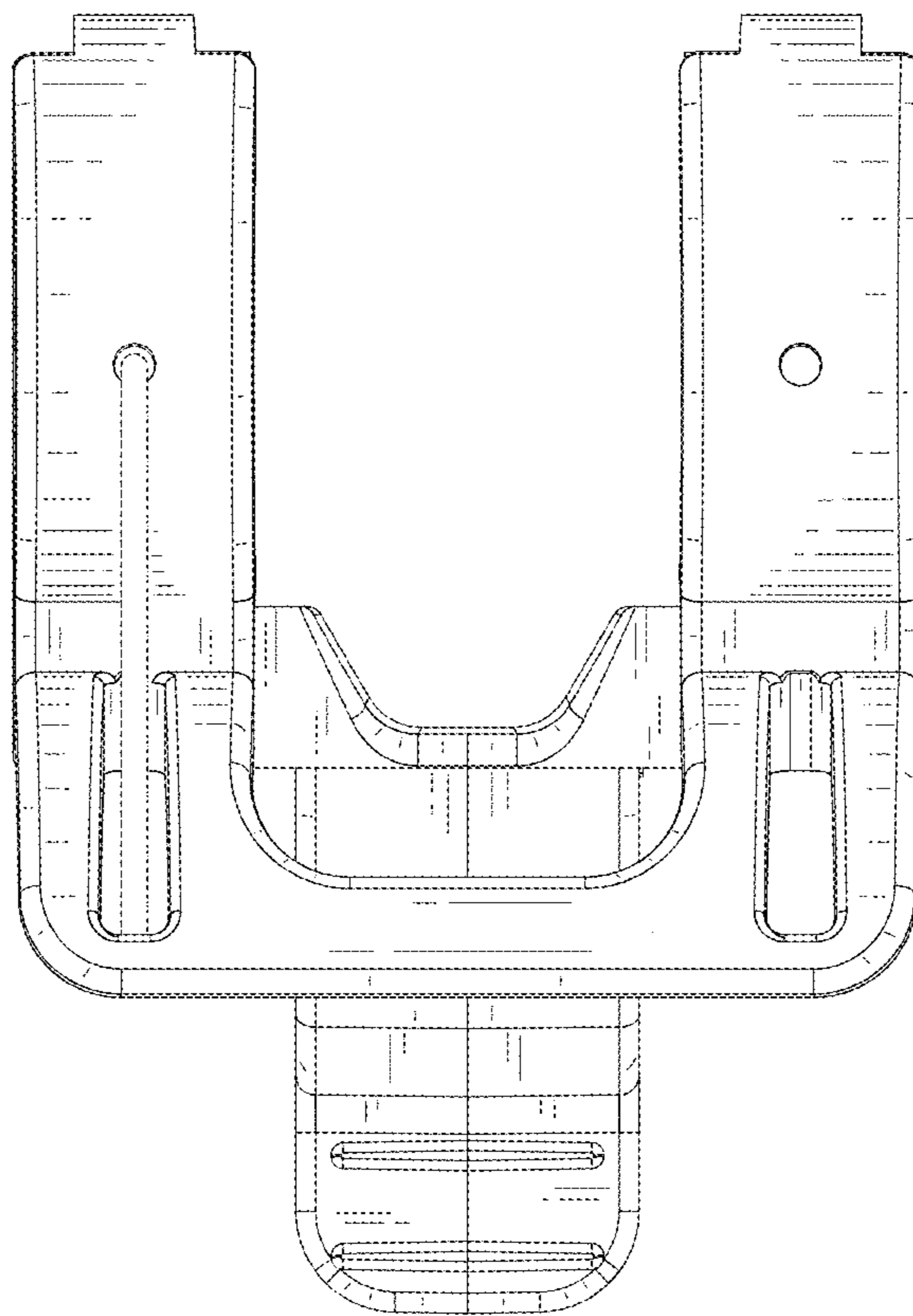




FIG. 7

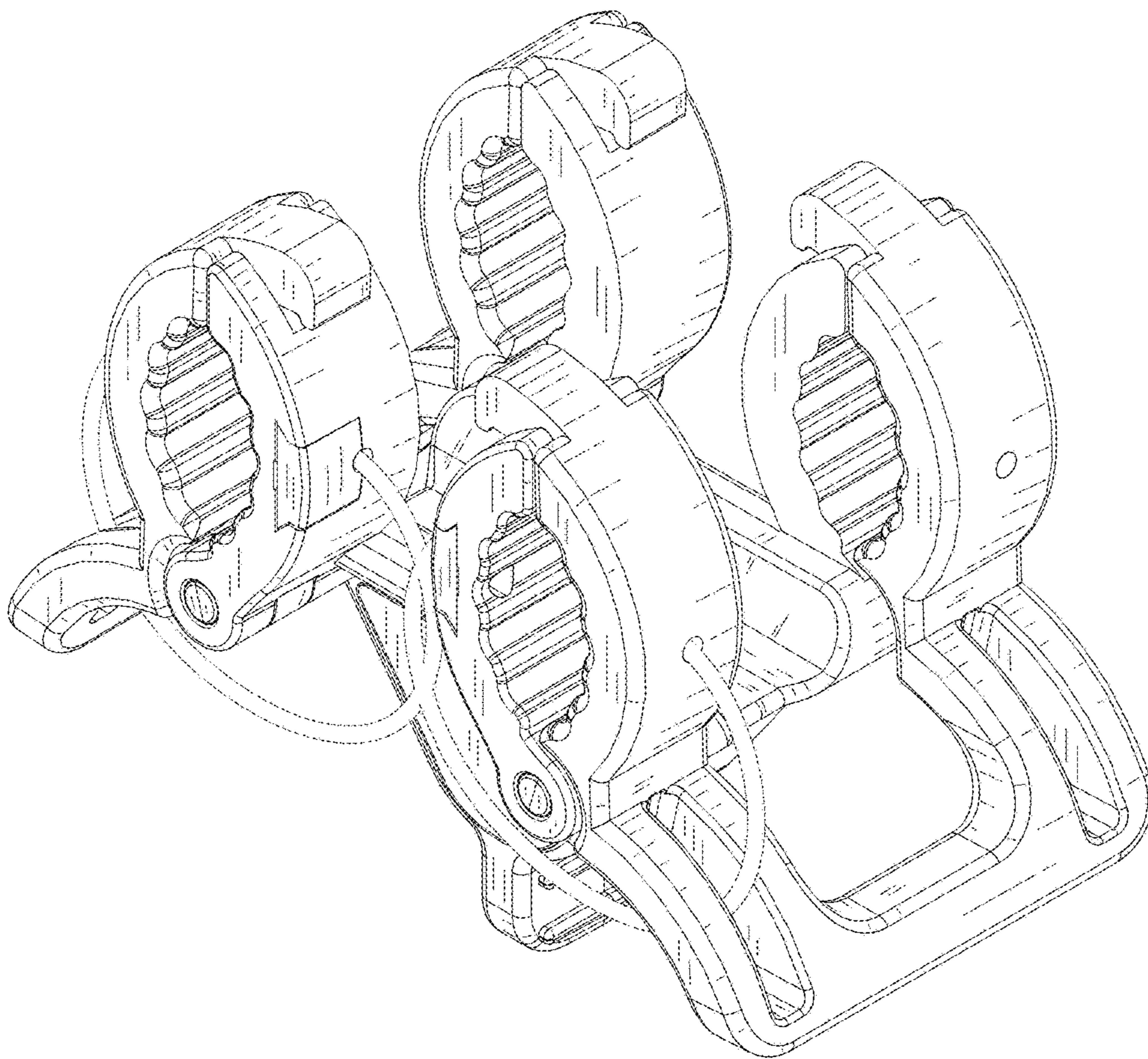


FIG. 8

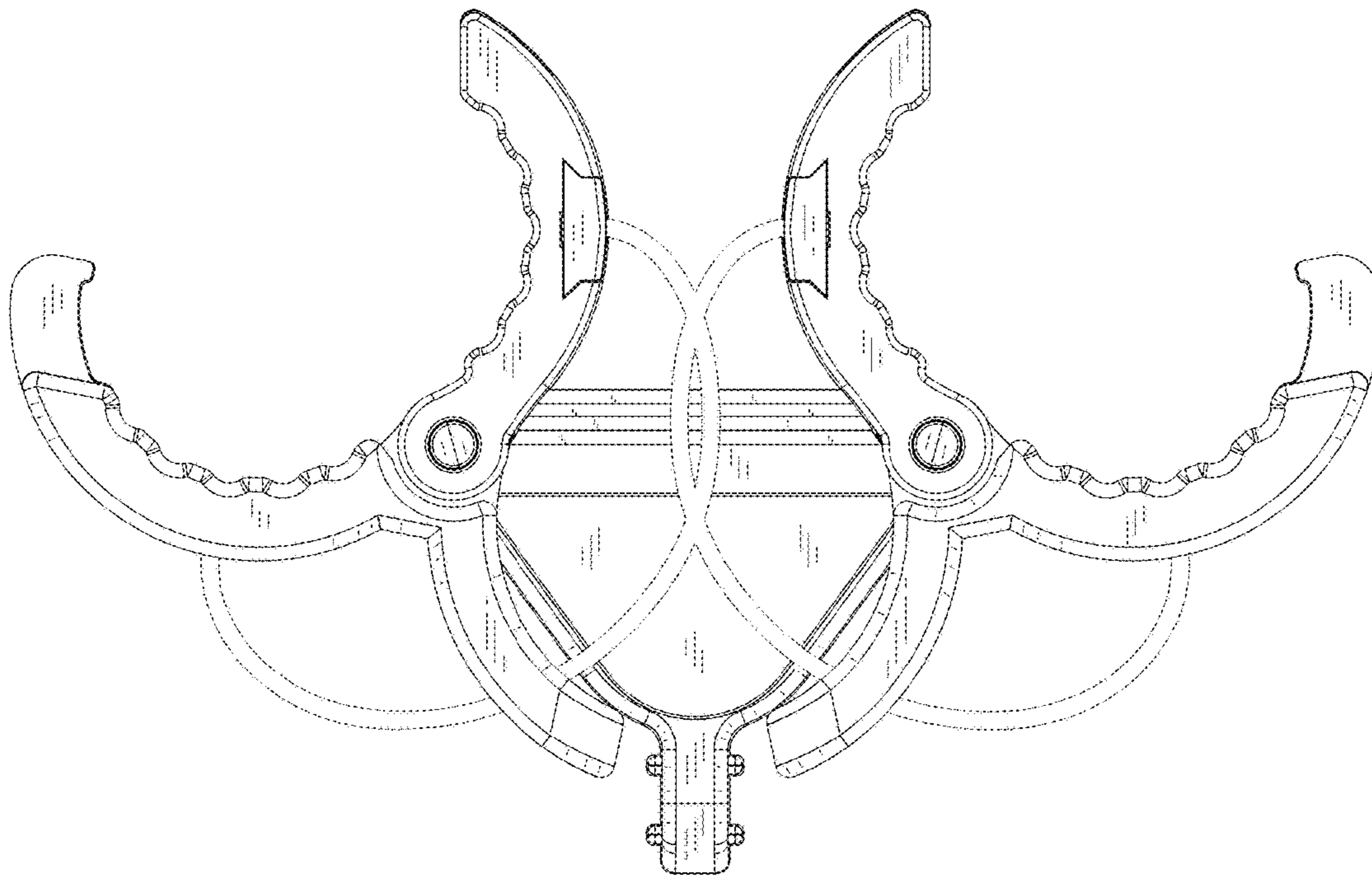


FIG. 9

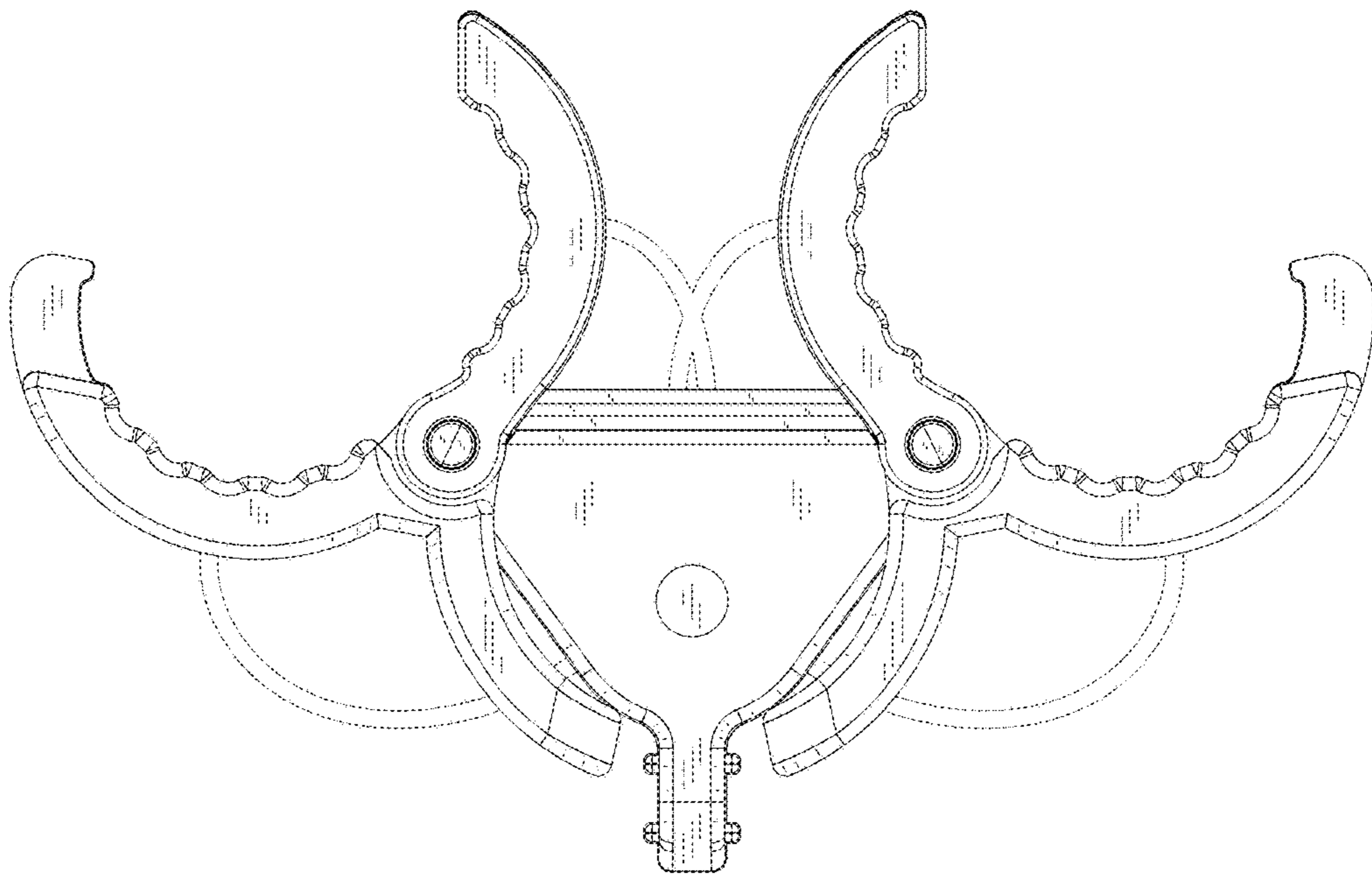


FIG. 10

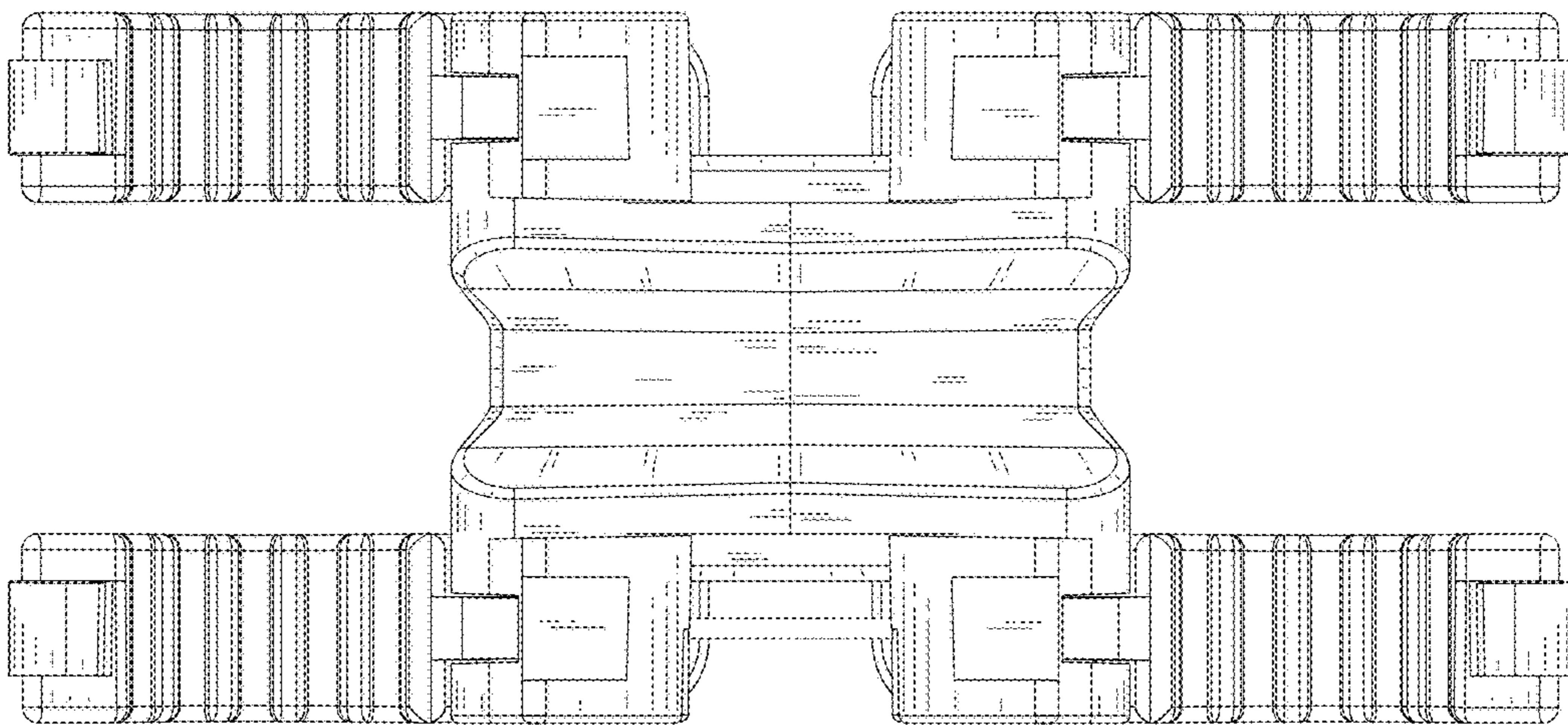


FIG. 11

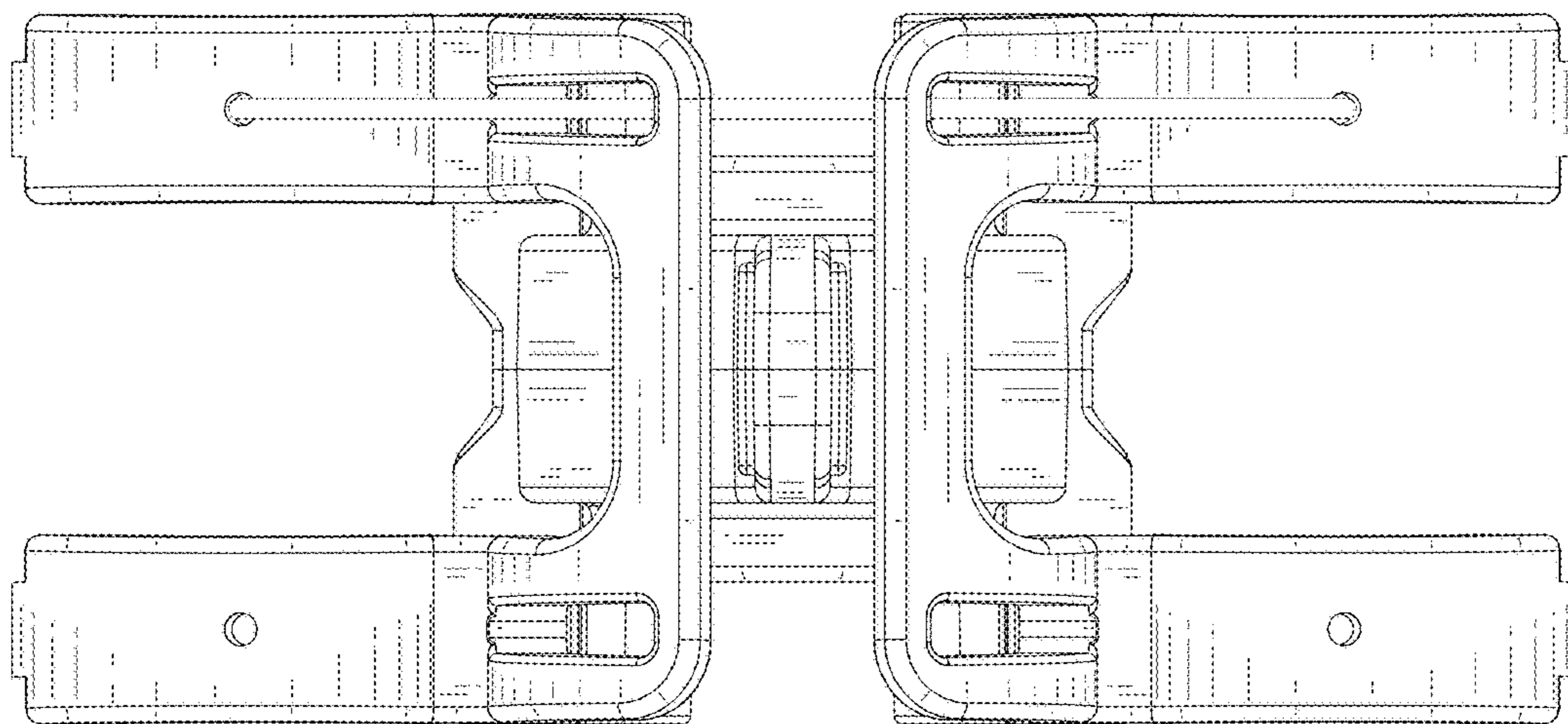


FIG. 12

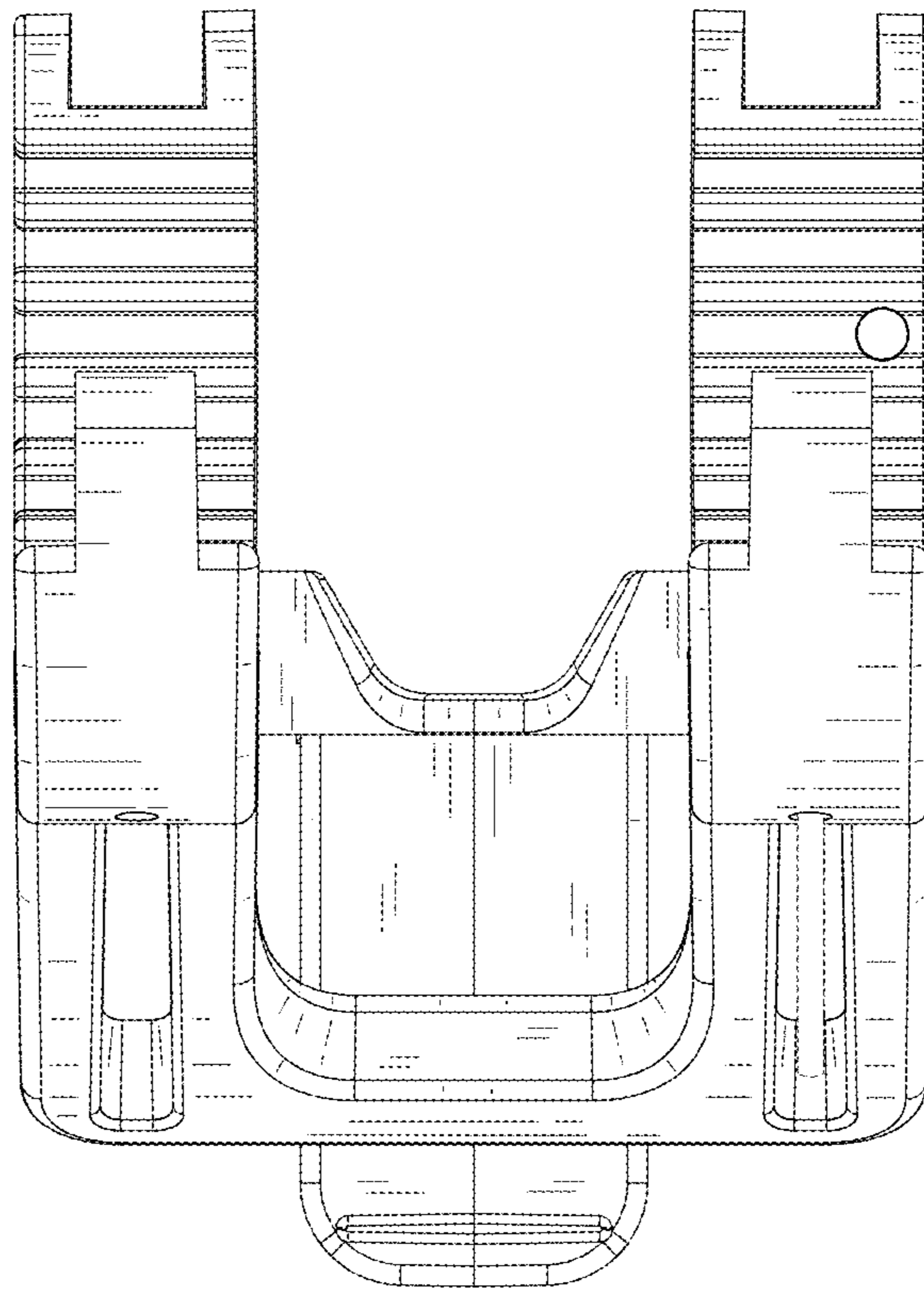


FIG. 13

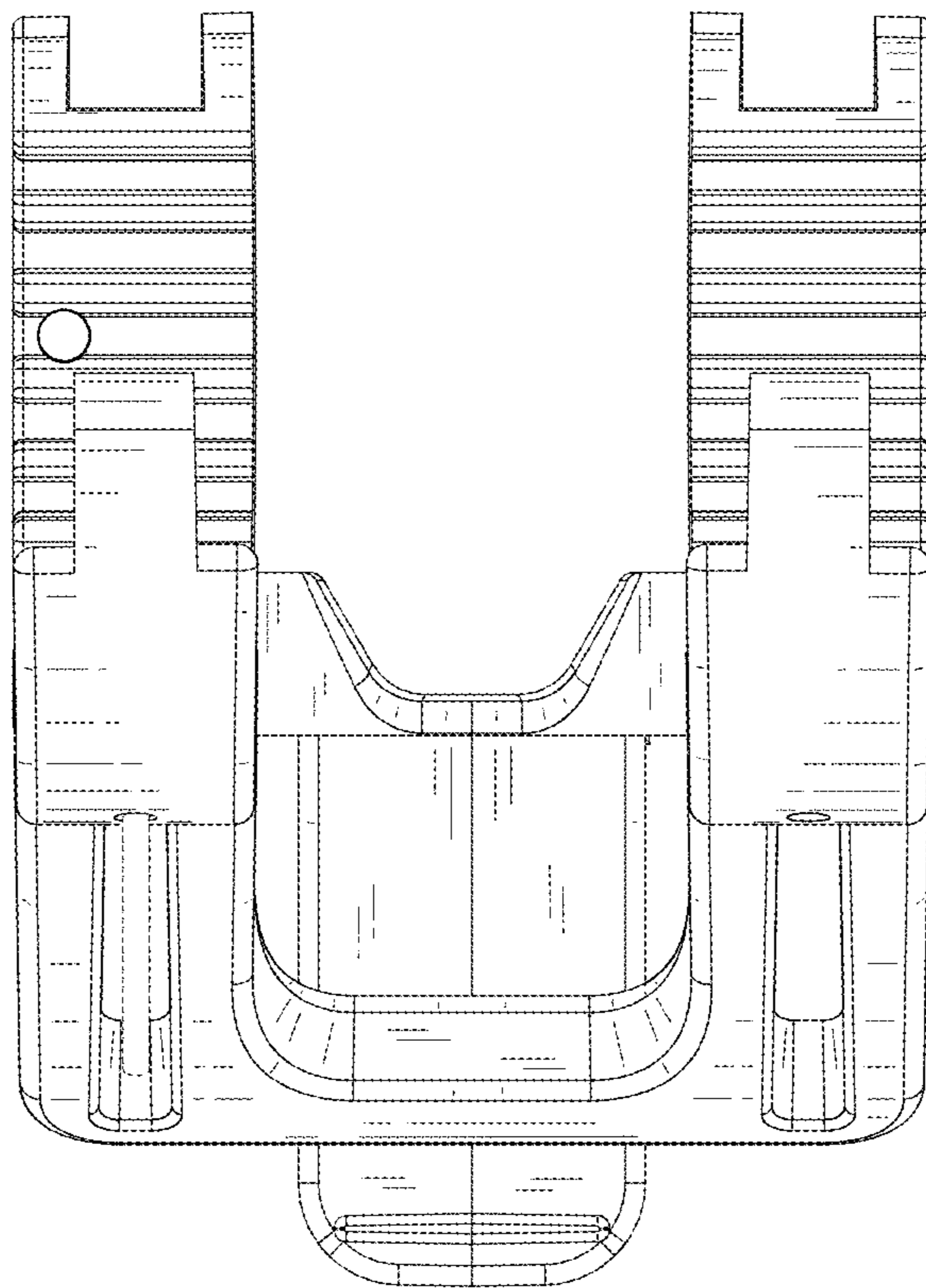


FIG. 14

