



US00D841800S

(12) **United States Design Patent** (10) **Patent No.:** **US D841,800 S**  
**Saadia** (45) **Date of Patent:** **\*\* Feb. 26, 2019**

(54) **DISPOSABLE DIAPER WITH INTEGRAL POCKETS**  
(71) Applicant: **Aili Saadia**, Brooklyn, NY (US)  
(72) Inventor: **Aili Saadia**, Brooklyn, NY (US)  
(\*\*) Term: **15 Years**  
(21) Appl. No.: **29/583,622**  
(22) Filed: **Nov. 8, 2016**  
(51) **LOC (11) Cl.** ..... **24-04**  
(52) **U.S. Cl.**  
USPC ..... **D24/126**  
(58) **Field of Classification Search**  
USPC ..... D2/700, 701; D24/124, 125, 126;  
604/347, 348, 354, 358-361, 378, 385.01,  
604/385.201, 385.24, 385.25  
CPC ..... A61F 13/15; A61F 13/64; A61F 13/476;  
A61F 13/5611; A61F 13/4704; A61F  
13/535; A61F 13/539; A61F 13/47; A61F  
13/531  
See application file for complete search history.

D794,182 S \* 8/2017 Roberts ..... D24/126  
D800,301 S \* 10/2017 Ort ..... D24/126  
D813,382 S \* 3/2018 Guadron ..... D24/125  
2005/0228356 A1 \* 10/2005 LaVon ..... A61F 13/505  
604/385.14  
2008/0119812 A1 \* 5/2008 Hurwitz ..... A61F 13/493  
604/385.23  
2008/0132873 A1 \* 6/2008 Glaug ..... A61F 13/15756  
604/386  
2011/0082435 A1 \* 4/2011 Davis ..... A61F 13/55105  
604/385.06  
2013/0165890 A1 \* 6/2013 Glaug ..... A61F 13/49017  
604/385.16  
2014/0031776 A1 \* 1/2014 Glaug ..... A61F 13/53  
604/365

\* cited by examiner

*Primary Examiner* — Cathron C Brooks  
*Assistant Examiner* — Samantha Q Lawrence  
(74) *Attorney, Agent, or Firm* — Sonya C. Harris;  
Invention Services

(57) **CLAIM**

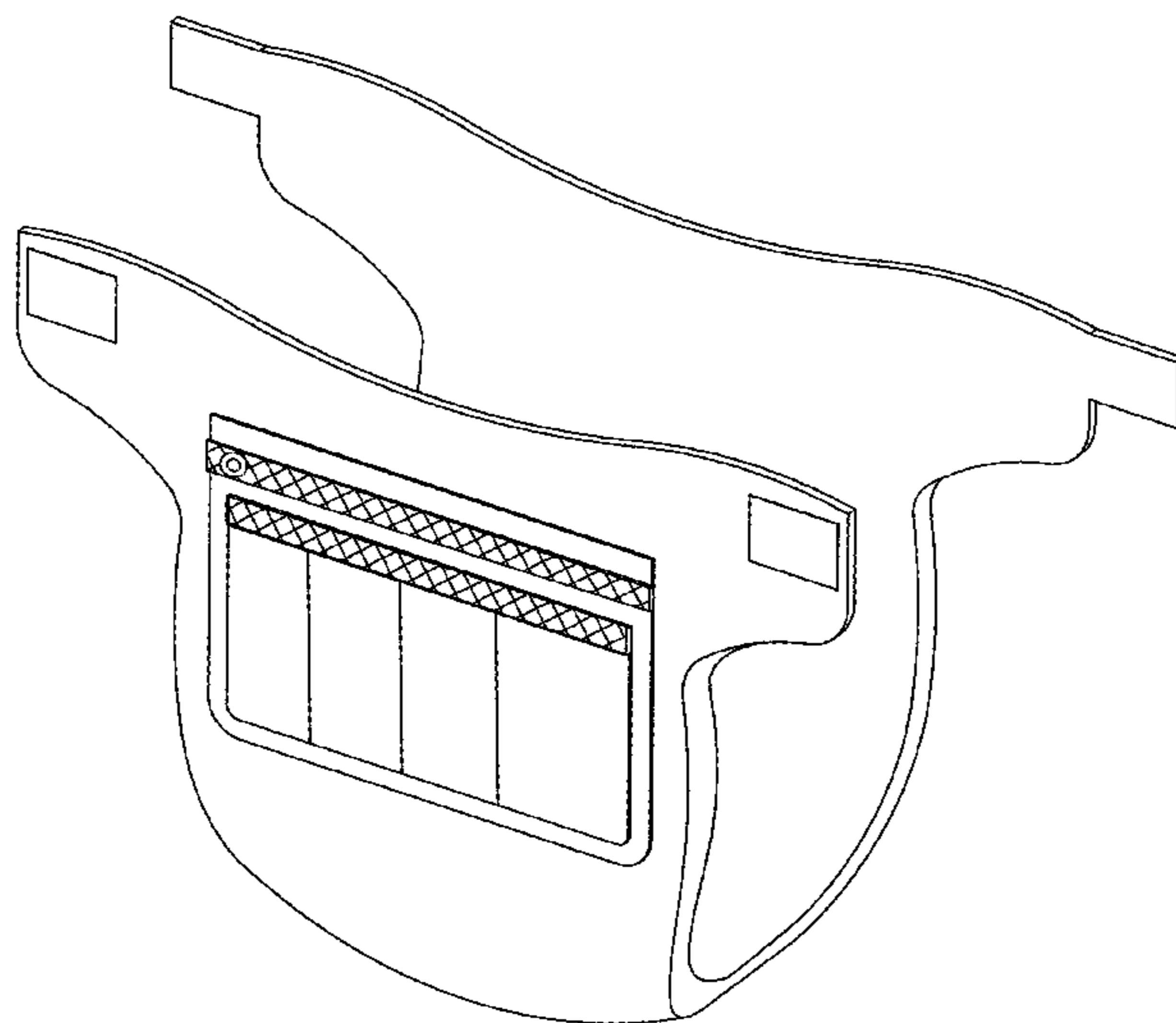
The ornamental design for the disposable diaper with integral pockets, as shown and described.

**DESCRIPTION**

FIG. 1 is a front right perspective view of my design, illustrating the backside of the disposable diaper;  
FIG. 2 is a front elevational view of my design, illustrating the backside of the disposable diaper;  
FIG. 3 is a bottom elevational view of my design, illustrating the underside of the disposable diaper;  
FIG. 4 is a front elevational view of my design, illustrating the backside of the disposable diaper with the pocket closure means in an open configuration, and showing the fastening means which secures the pocket closure means; and,  
FIG. 5 is a front elevational view of my design, illustrating the disposable diaper in an opened configuration.

**1 Claim, 5 Drawing Sheets**

(56) **References Cited**  
U.S. PATENT DOCUMENTS  
D423,098 S \* 4/2000 Stancyk, Jr. .... D24/124  
6,307,120 B1 \* 10/2001 Glaug ..... A61F 13/5146  
604/383  
D500,131 S \* 12/2004 Choice ..... D24/125  
D559,978 S \* 1/2008 Bader ..... D24/125  
D561,334 S \* 2/2008 Martynus ..... D24/125  
D596,287 S \* 7/2009 Tan ..... D24/126  
7,629,501 B2 \* 12/2009 Labit ..... A61F 13/49004  
604/372  
D621,501 S \* 8/2010 Coon ..... D24/126  
D647,200 S \* 10/2011 Slaughter ..... D24/126  
D675,731 S \* 2/2013 Peltier-Robinson ..... D24/126  
D692,558 S \* 10/2013 Cassano ..... D24/126  
D762,849 S \* 8/2016 Davenport ..... D24/126



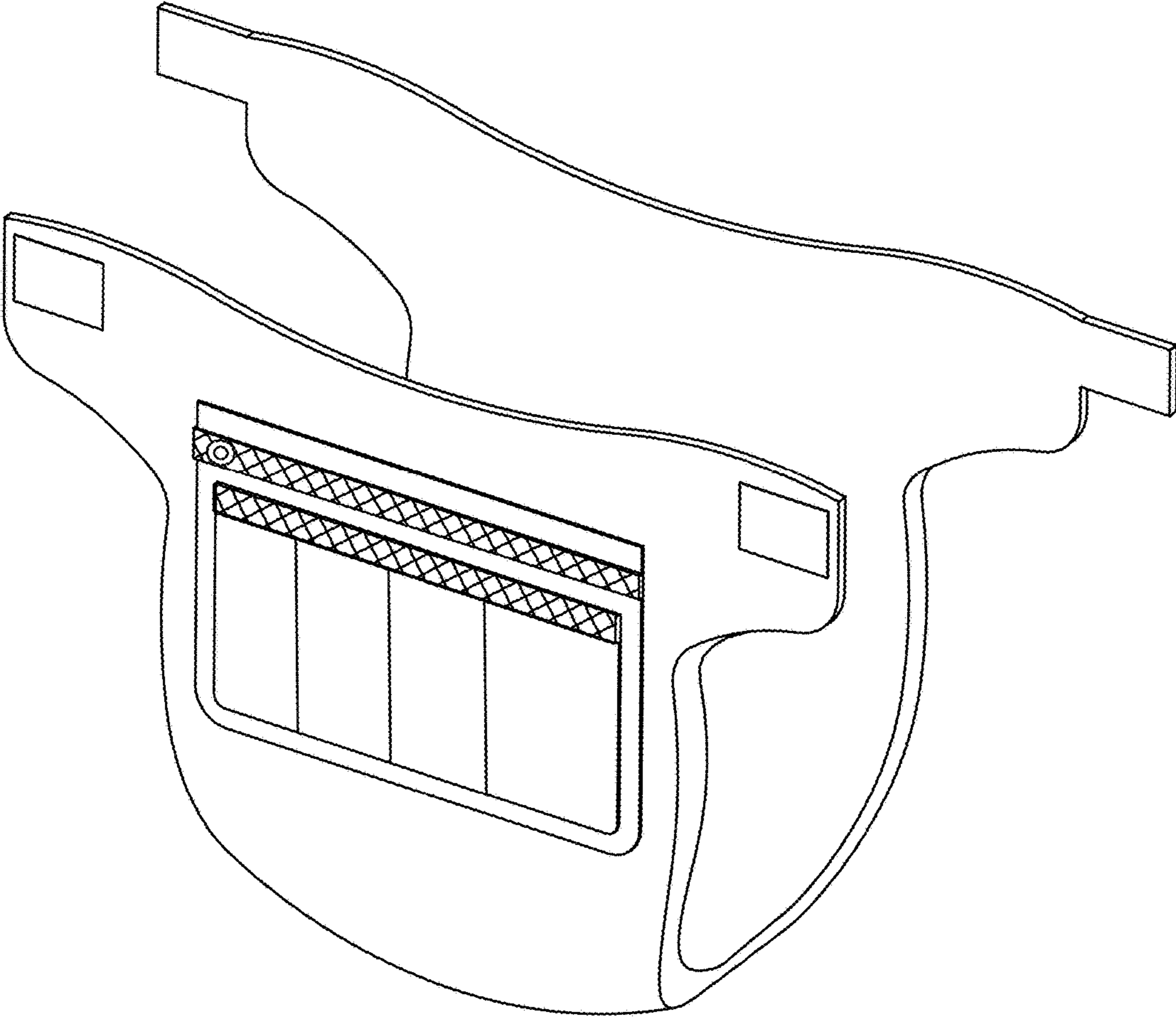


FIG. 1

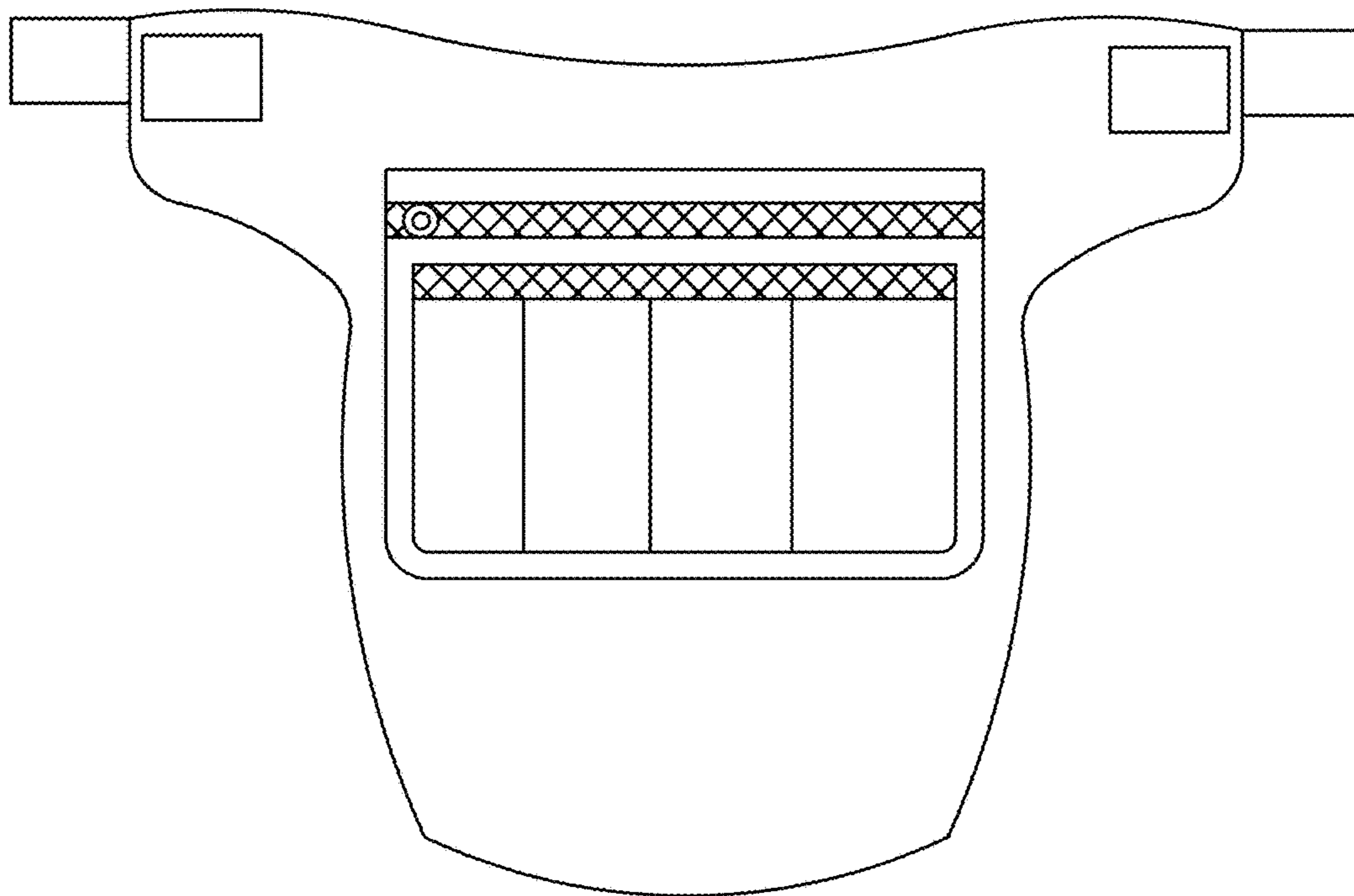


FIG. 2

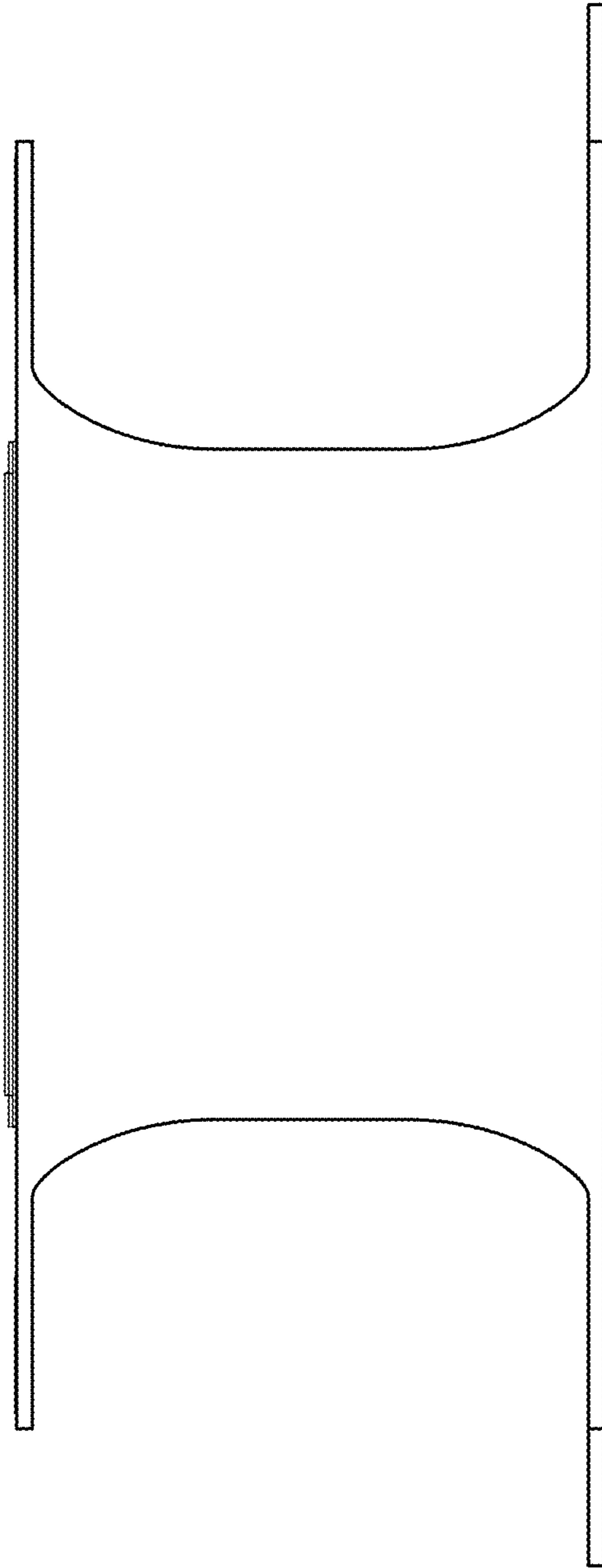


FIG. 3

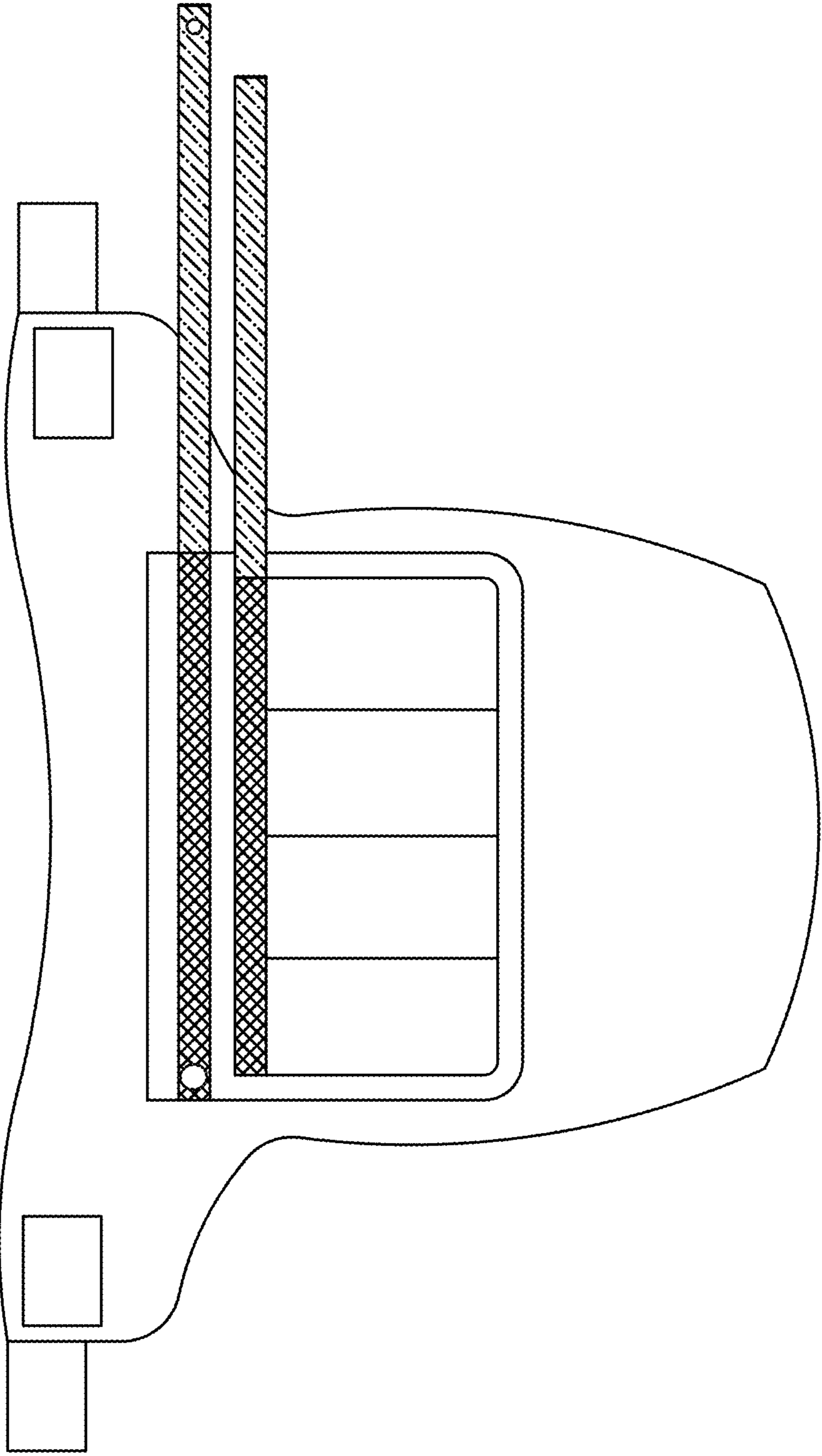


FIG. 4

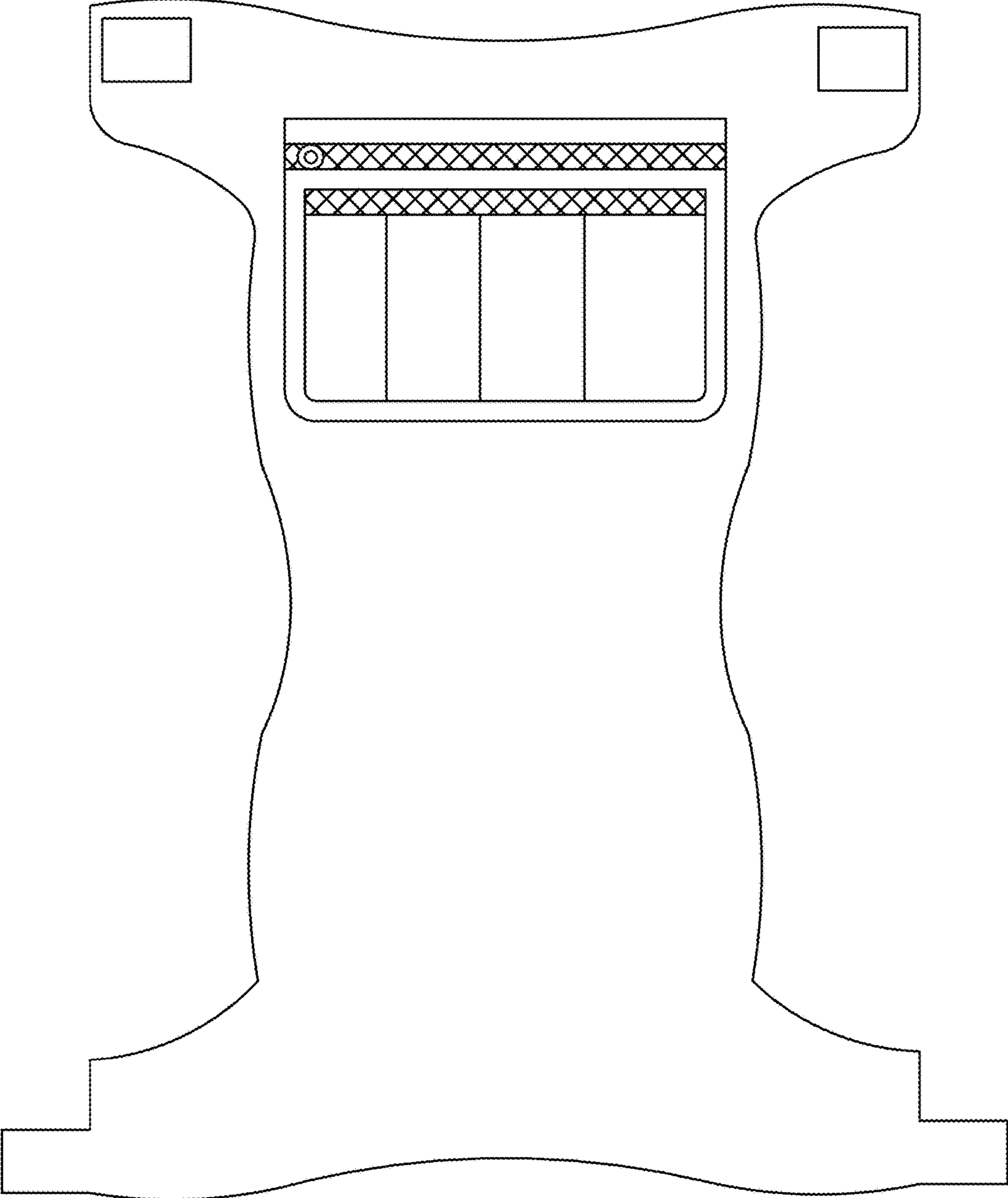


FIG. 5