



US00D841799S

(12) **United States Design Patent** (10) **Patent No.:** **US D841,799 S**
Candy (45) **Date of Patent:** **** Feb. 26, 2019**

(54) **EXTENDED LINER**
(71) Applicant: **William Candy**, Middletown, DE (US)
(72) Inventor: **William Candy**, Middletown, DE (US)
(73) Assignee: **AquaCast Liner LLC**, Newark, DE (US)
(**) Term: **15 Years**

D726,326 S 4/2015 Schrammel
D737,434 S * 8/2015 Miller A61F 13/84
D24/126
D745,143 S * 12/2015 Coates D24/126
D766,429 S * 9/2016 Goodwin D2/712
D804,043 S 11/2017 Gildersleeve
9,820,897 B2 11/2017 Berry
D816,852 S 5/2018 Deitch
2002/0082520 A1 * 6/2002 Vella A01K 23/00
600/573
2012/0220975 A1 8/2012 Chan
2013/0110255 A1 5/2013 Picha

(21) Appl. No.: **29/605,040**
(22) Filed: **May 23, 2017**
(51) **LOC (11) Cl.** **24-04**
(52) **U.S. Cl.**
USPC **D24/124**
(58) **Field of Classification Search**
USPC D24/124-126, 189, 190, 191, 192, 193;
604/347, 348, 354, 358-361, 378, 384,
604/385.01, 385.201, 385.22, 385.24,
604/385.25
CPC .. A61F 13/4704; A61F 13/535; A61F 13/539;
A61F 13/47; A61F 13/531
See application file for complete search history.

OTHER PUBLICATIONS

Labeled "Reference A", "Hipster Liner", this is a drawing of an article that was on sale/publicly disclosed more than one year before the filing date of the present application.

* cited by examiner

Primary Examiner — Cathron C Brooks
Assistant Examiner — Samantha Q. Lawrence
(74) *Attorney, Agent, or Firm* — Muskin and Farmer LLC

(57) **CLAIM**

The ornamental design for an extended liner, as shown and described.

(56) **References Cited**

U.S. PATENT DOCUMENTS

6,743,325 B1 6/2004 Taylor
D544,599 S * 6/2007 Sasaki D24/126
D584,401 S 1/2009 Francoeur
D589,611 S 3/2009 Parker
D592,744 S * 5/2009 Fiala D24/126
D648,252 S 11/2011 Chan
D648,439 S 11/2011 Greener
D679,004 S * 3/2013 Norman D24/124
D693,922 S 11/2013 Frias
D708,319 S * 7/2014 Labit D24/126
D716,939 S * 11/2014 Giloh A61F 13/505
D24/126
D720,066 S 12/2014 Cardin

DESCRIPTION

FIG. 1 is an orthographic view of an extended liner showing the new design.
FIG. 2 is a front view of the new design;
FIG. 3 is a left side view of the new design;
FIG. 4 is a rear view of the new design;
FIG. 5 is a right side view of the new design;
FIG. 6 is a top view of the new design; and,
FIG. 7 is a bottom view of the new design.
Shading lines are presented herein to illustrate shading but such shading lines form no part of the claimed design.

1 Claim, 4 Drawing Sheets

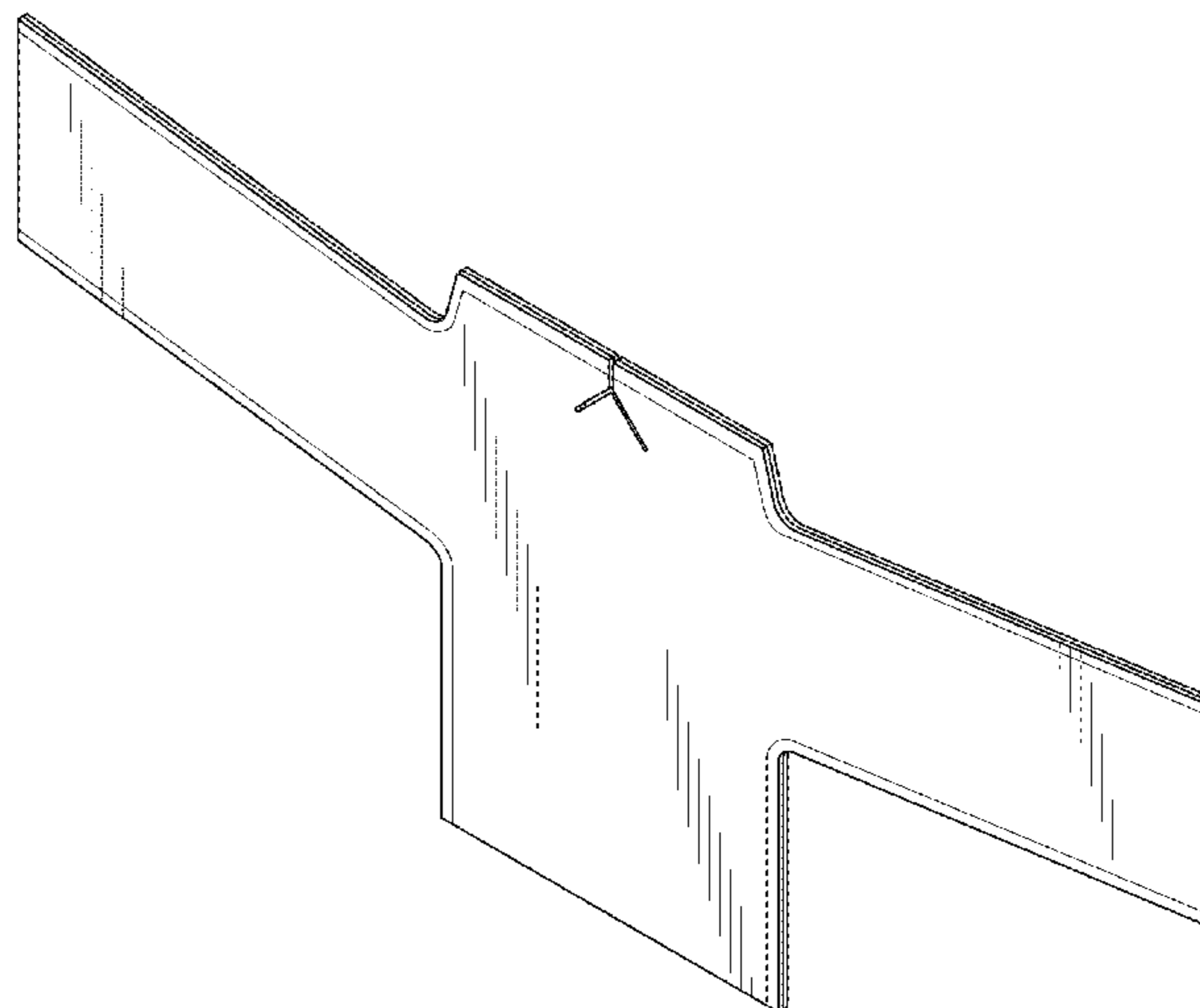


FIG. 1

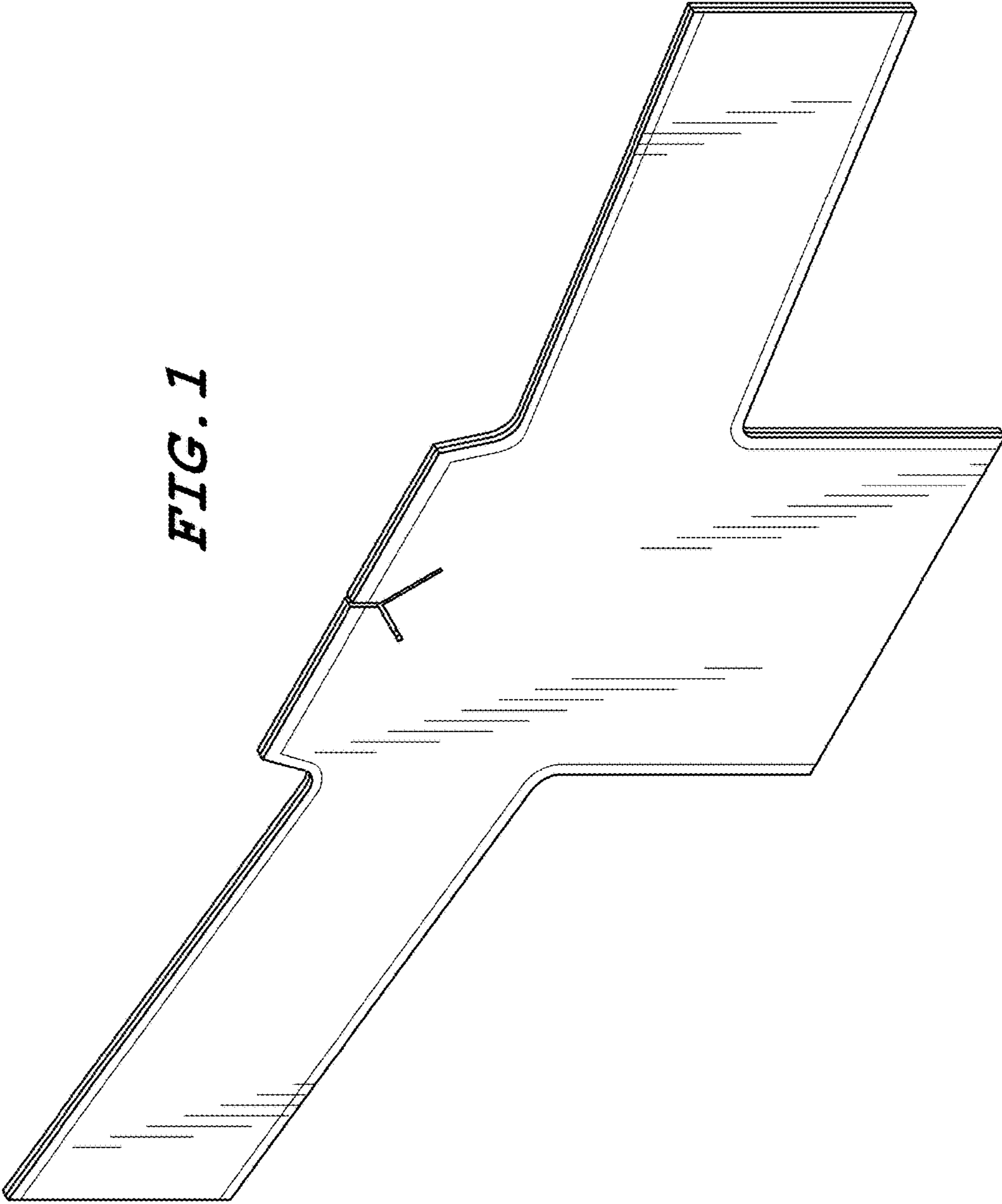


FIG. 2

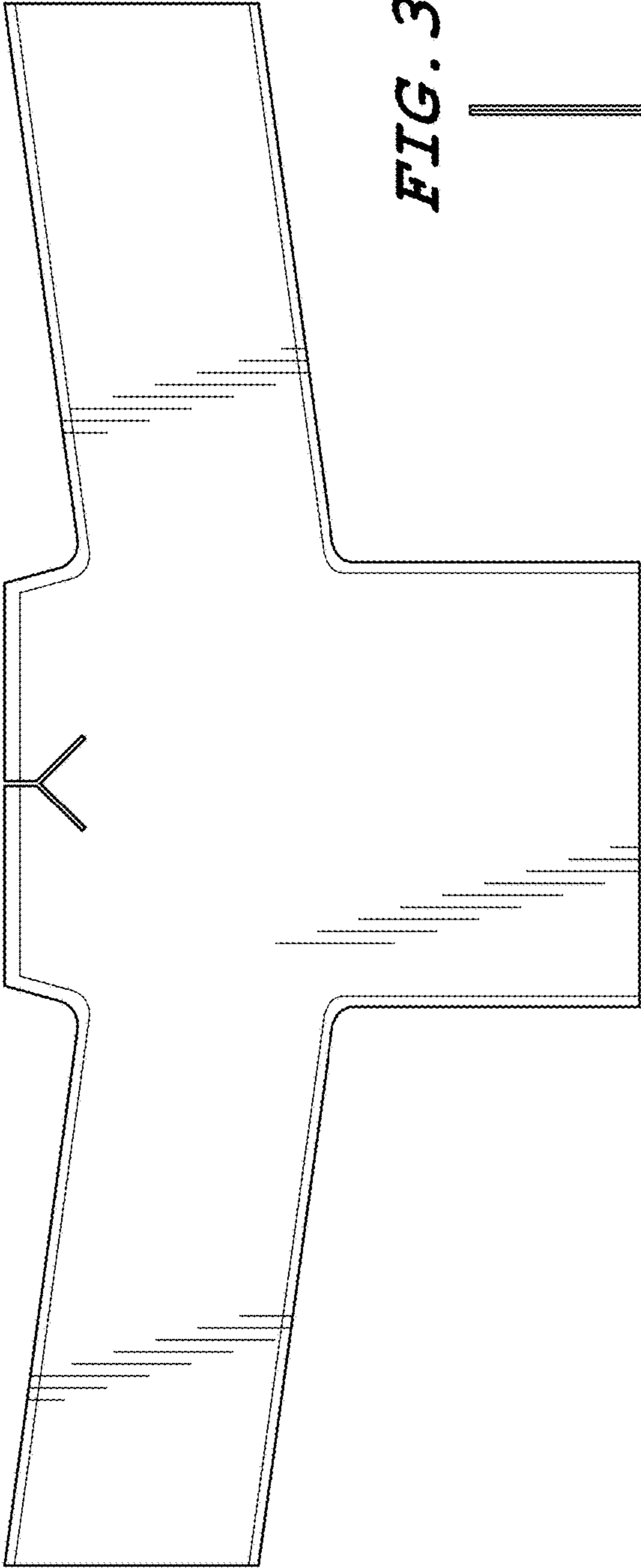


FIG. 3



FIG. 4

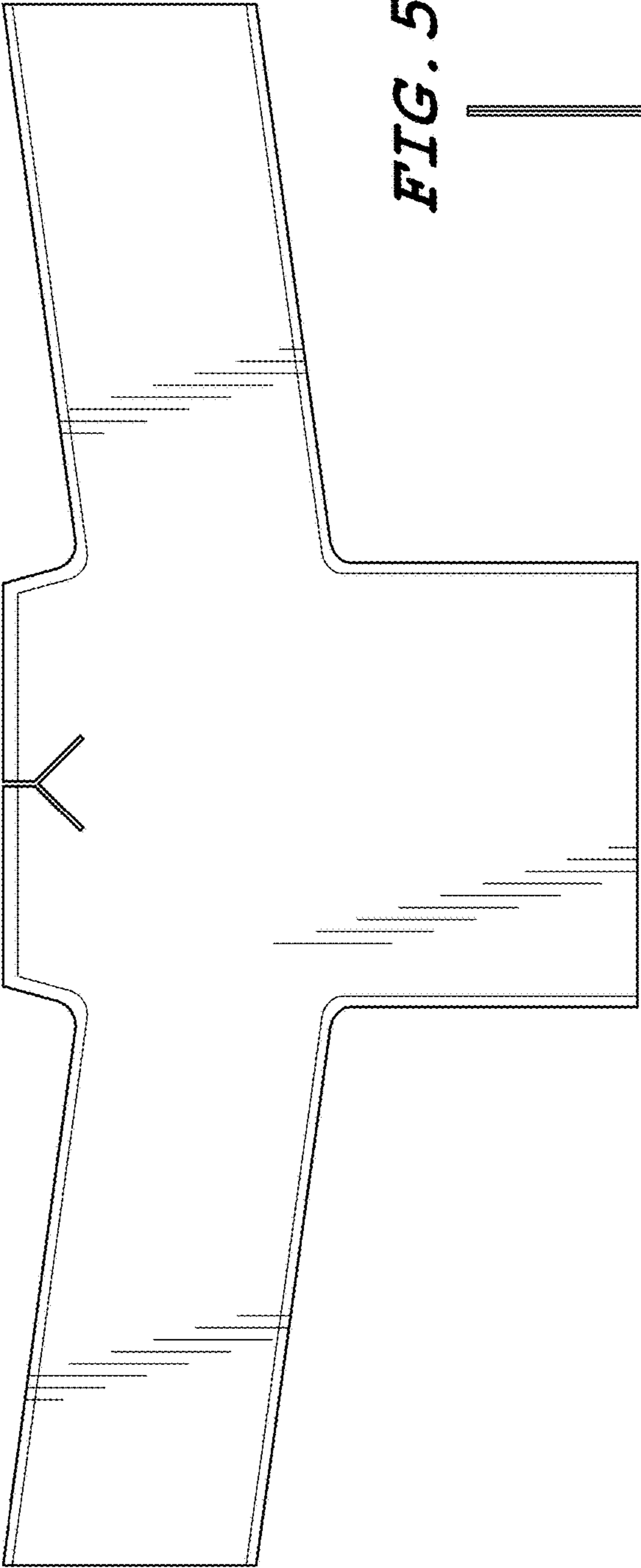


FIG. 5



FIG. 6



FIG. 7

