



US00D841798S

(12) **United States Design Patent**
Kinsey et al.

(10) **Patent No.:** **US D841,798 S**

(45) **Date of Patent:** **** *Feb. 26, 2019**

- (54) **INHALER**
- (71) Applicant: **MannKind Corporation**, Valencia, CA (US)
- (72) Inventors: **P. Spencer Kinsey**, Sandy Hook, CT (US); **Brendan Laurenzi**, Middlebury, CT (US); **Benoit Adamo**, Mount Kisco, NY (US)
- (73) Assignee: **MannKind Corporation**, Westlake Village, CA (US)
- (*) Notice: This patent is subject to a terminal disclaimer.

D629,505 S *	12/2010	Adamo	D24/110.5
D629,506 S *	12/2010	Adamo	D24/110.5
D629,886 S *	12/2010	Adamo	D24/110.5
D629,887 S *	12/2010	Adamo	D24/110.5
D629,888 S *	12/2010	Adamo	D24/110.5
D635,242 S *	3/2011	Adamo	D24/110
D635,243 S *	3/2011	Kinsey	D24/110
D636,867 S *	4/2011	Polidoro	D24/110
D636,868 S *	4/2011	Kinsey	D24/110
D636,869 S *	4/2011	Laurenzi	D24/110
D674,893 S *	1/2013	Kinsey	D24/110
D697,200 S *	1/2014	Mahaffy	D24/110
D742,503 S *	11/2015	Mullinger	D24/110
D776,278 S *	1/2017	Newman	D24/164
9,662,461 B2 *	5/2017	Smutney	
D797,935 S *	9/2017	Newman	D24/164
9,802,012 B2 *	10/2017	Smutney	A61M 15/00

(Continued)

(**) Term: **15 Years**

Primary Examiner — Karen E Kearney

Assistant Examiner — Lilyana Bekic

(21) Appl. No.: **29/553,302**

(74) *Attorney, Agent, or Firm* — K&L Gates LLP; Louis C. Cullman; Brian J. Novak

(22) Filed: **Jan. 29, 2016**

(51) **LOC (11) Cl.** **29-02**

(52) **U.S. Cl.**
USPC **D24/110**

(58) **Field of Classification Search**
USPC D24/107, 108, 110, 110.5, 164;
D27/100, 101, 163
CPC A61M 15/00; A61M 15/0001; A61M 15/0021; A61M 15/0045; A61M 15/0028; A61M 15/0091; A61M 2202/064
See application file for complete search history.

(57) **CLAIM**

The ornamental design for an inhaler, as shown and described.

DESCRIPTION

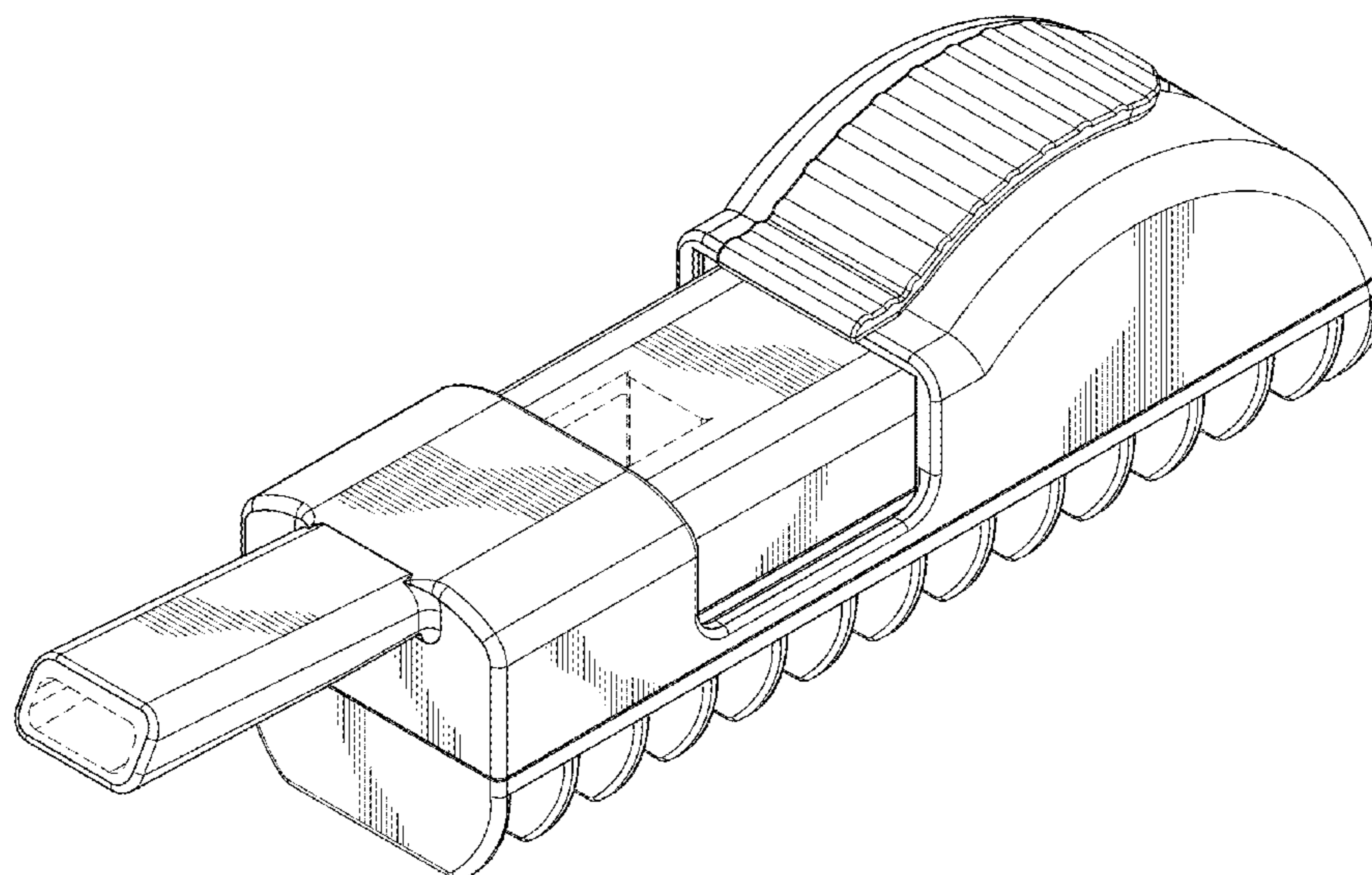
FIG. 1 is a front perspective view of an inhaler showing our design.
FIG. 2 is a bottom perspective view of the inhaler of FIG. 1.
FIG. 3 is a right side view of the inhaler of FIG. 1.
FIG. 4 is a left side view of the inhaler of FIG. 1.
FIG. 5 is a front view of the inhaler of FIG. 1.
FIG. 6 is a rear view of the inhaler of FIG. 1.
FIG. 7 is a top view of the inhaler of FIG. 1; and, FIG. 8 is a bottom view of the inhaler of FIG. 1.
Broken lines shown in the figures are included for the purpose of illustrating portions of the inhaler and form no part of the claimed design.

(56) **References Cited**

U.S. PATENT DOCUMENTS

5,794,613 A *	8/1998	Piskorski	A61M 15/0045
				128/202.17
6,223,746 B1 *	5/2001	Jewett	A61M 15/0065
				128/200.14
D597,657 S *	8/2009	Kinsey	D24/110
D605,752 S *	12/2009	Polidoro	D24/110
D614,760 S *	4/2010	Smutney	D24/110

1 Claim, 7 Drawing Sheets



(56)

References Cited

U.S. PATENT DOCUMENTS

2004/0182387 A1* 9/2004 Steiner A61M 15/0028
128/203.15
2006/0037612 A1* 2/2006 Herder A61M 15/0065
128/203.15
2006/0099269 A1* 5/2006 Cheatham A61K 9/0075
424/489
2009/0241949 A1* 10/2009 Smutney A61M 15/0028
128/203.15
2009/0308390 A1* 12/2009 Smutney A61M 15/0028
128/203.15
2009/0314292 A1* 12/2009 Overfield A61B 5/087
128/203.15
2010/0197565 A1* 8/2010 Smutney A61M 15/0028
514/1.1
2012/0247235 A1* 10/2012 Adamo A61B 5/08
73/865.4
2013/0104887 A1* 5/2013 Smutney A61M 15/0028
128/203.15
2014/0014106 A1* 1/2014 Smutney A61M 15/00
128/203.15
2014/0116426 A1* 5/2014 Mullinger A61M 11/005
128/200.14
2017/0216538 A1* 8/2017 Kinsey A61M 15/0021
2018/0001039 A1* 1/2018 Smutney A61M 15/00

* cited by examiner

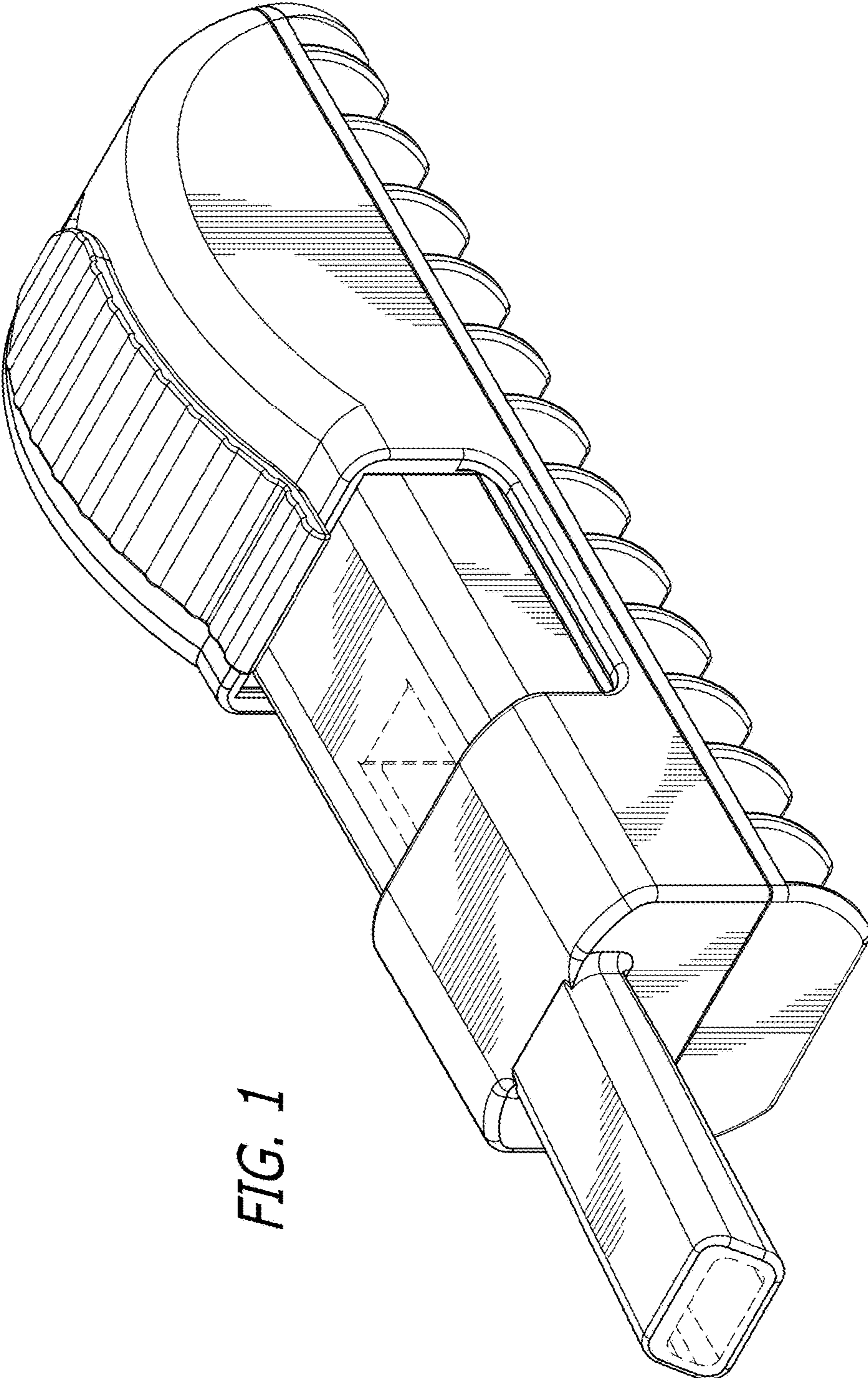


FIG. 1

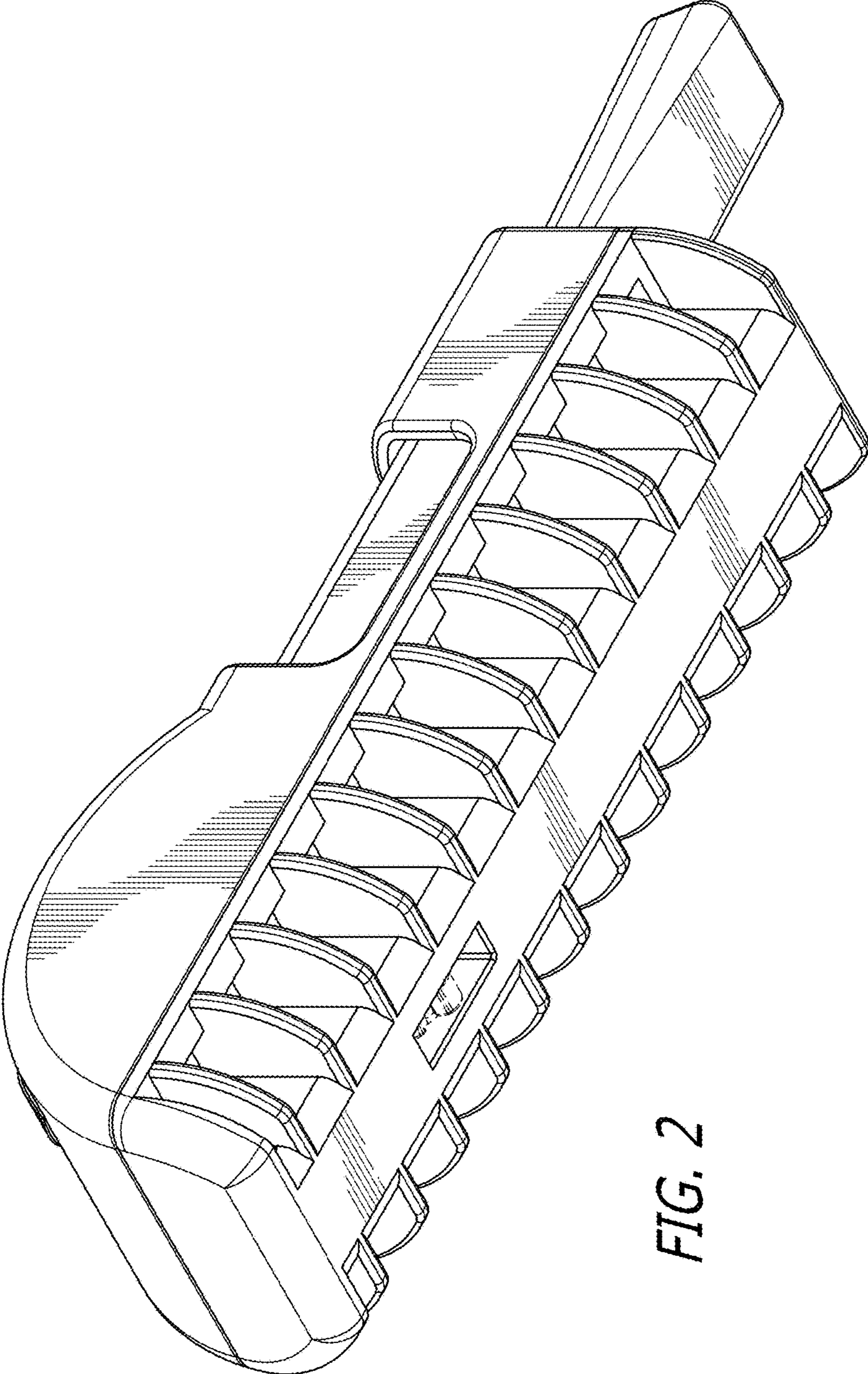


FIG. 2

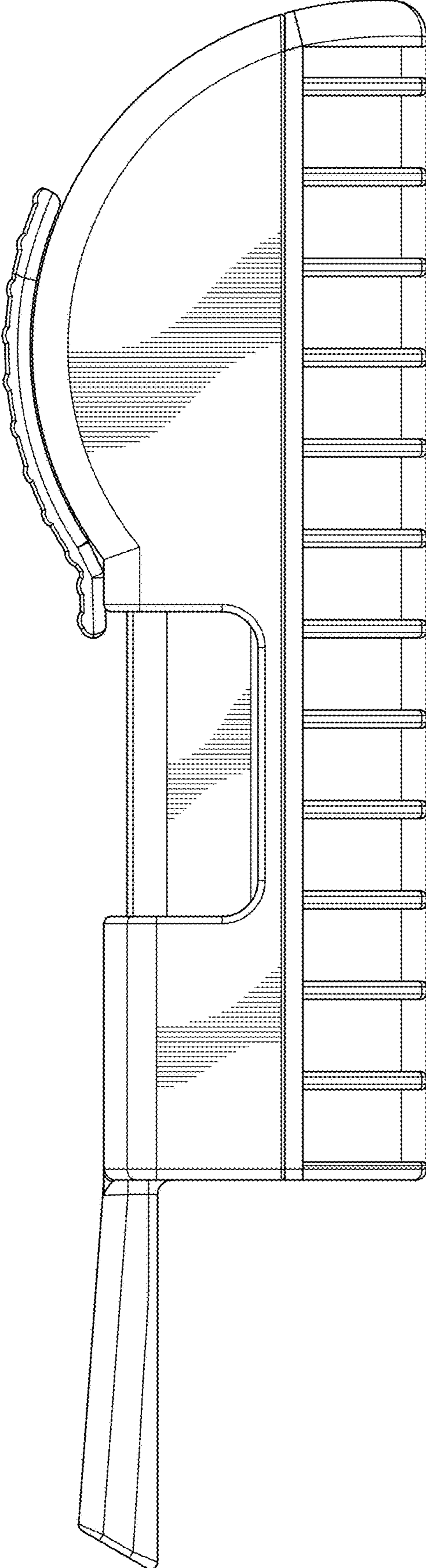


FIG. 3

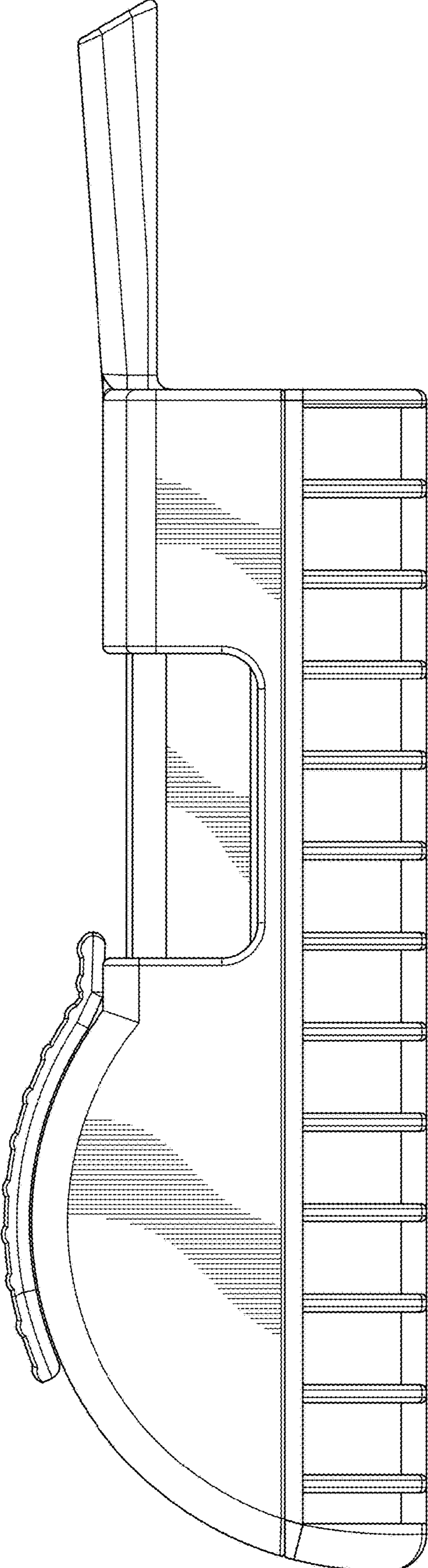


FIG. 4

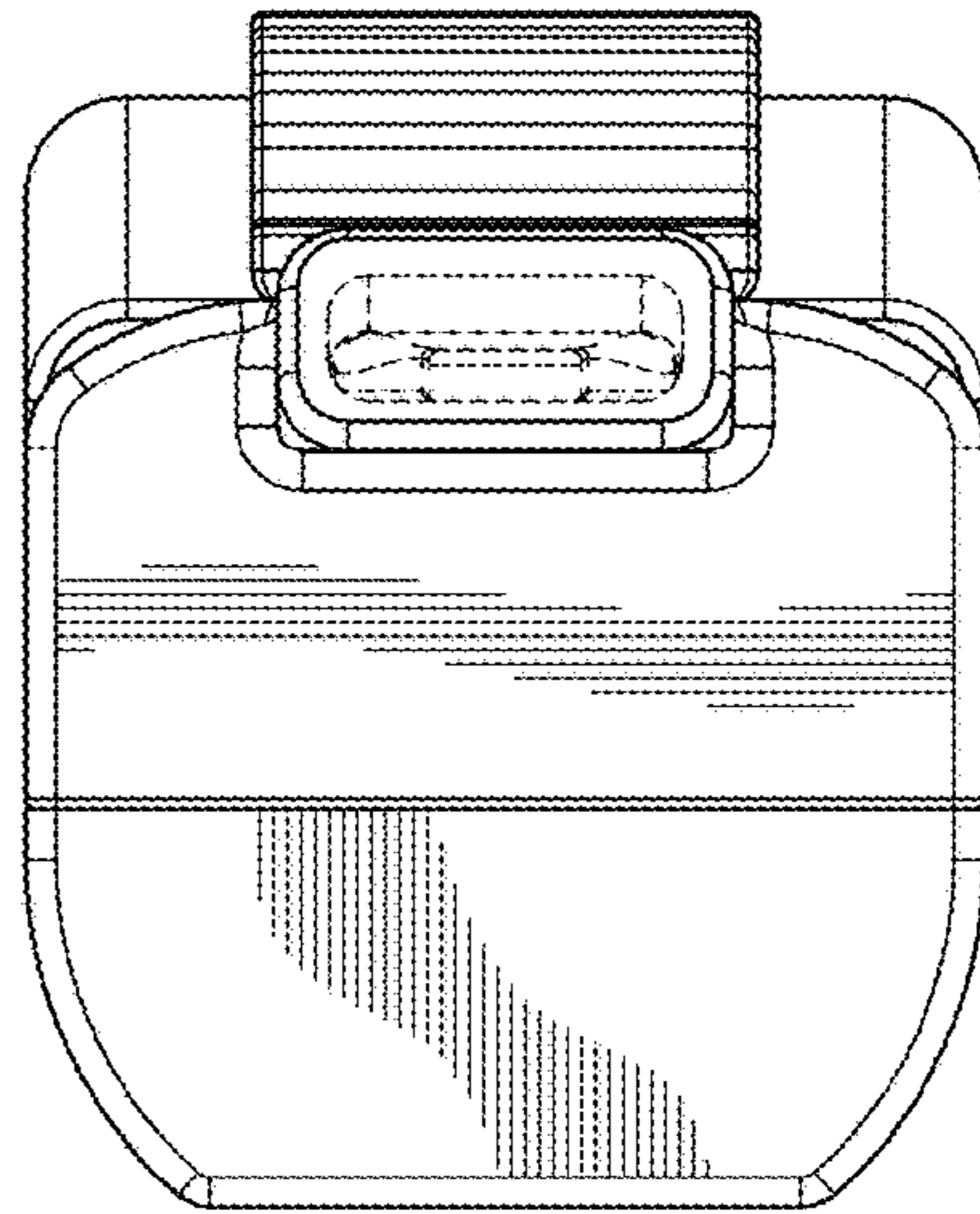


FIG. 5

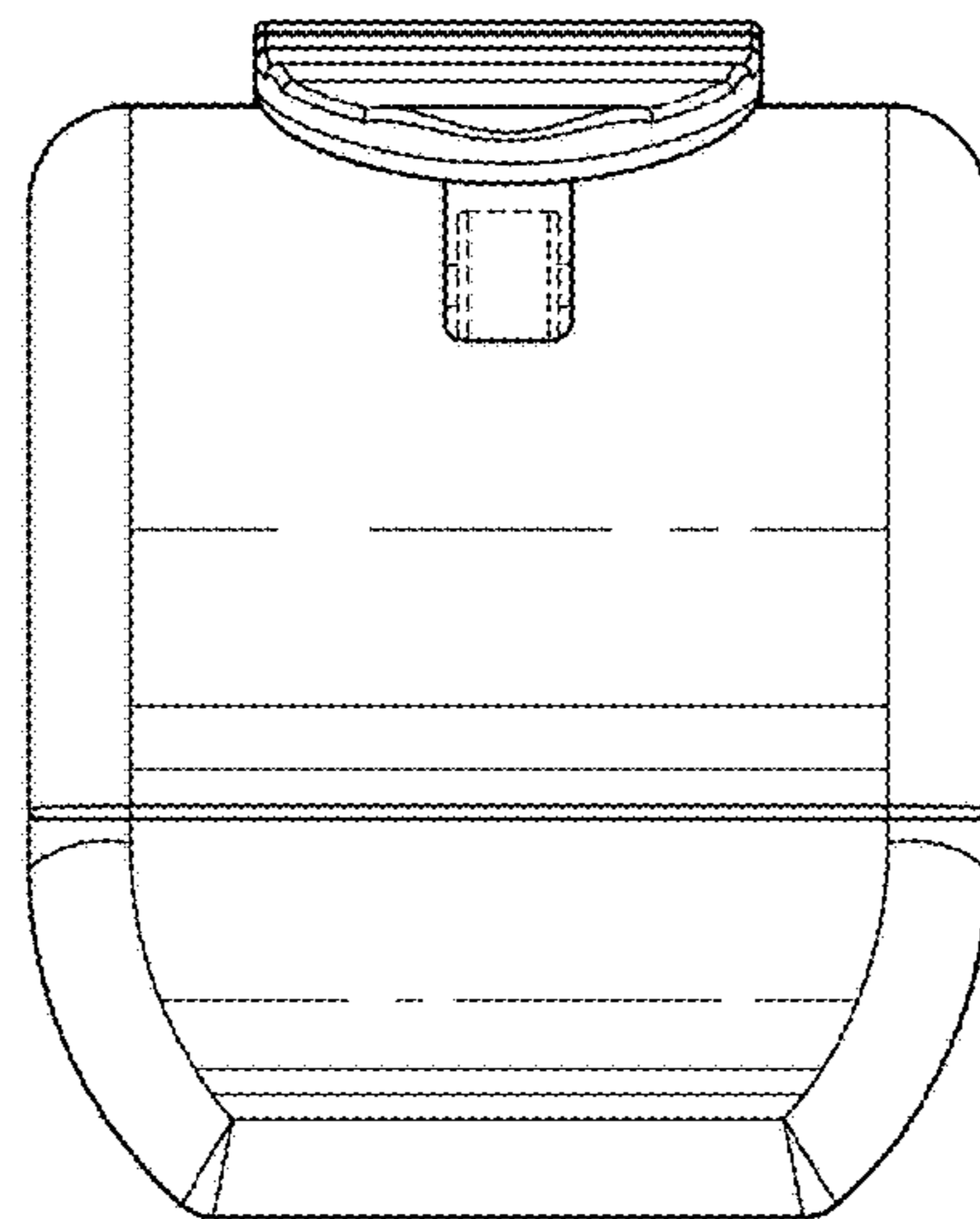


FIG. 6

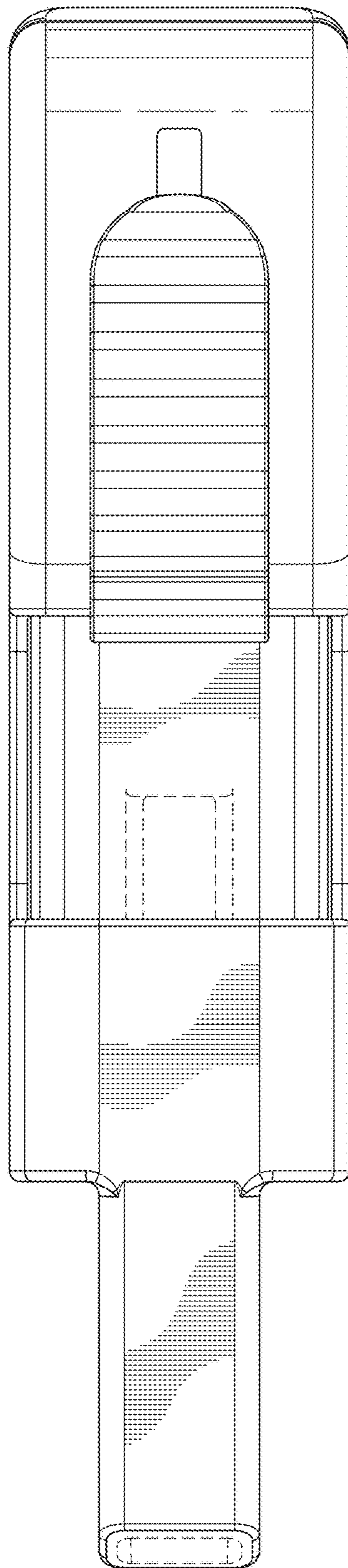


FIG. 7

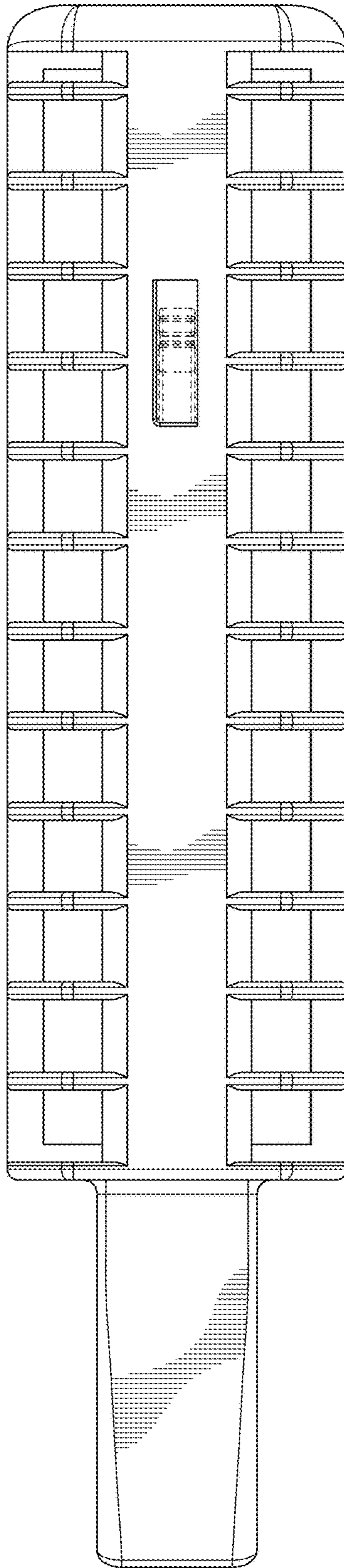


FIG. 8