



US00D841793S

(12) **United States Design Patent** (10) **Patent No.:** **US D841,793 S**
Robles (45) **Date of Patent:** **** Feb. 26, 2019**

(54) **GRILL ORNAMENT**

(71) Applicant: **Steven Robles**, Coalinga, CA (US)

(72) Inventor: **Steven Robles**, Coalinga, CA (US)

(**) Term: **15 Years**

(21) Appl. No.: **29/614,597**

(22) Filed: **Aug. 21, 2017**

D454,404	S	*	3/2002	Merrick	D25/135
6,711,993	B2		3/2004	Robertson		
6,776,084	B2		8/2004	Wild		
7,063,006	B1		6/2006	Spehle et al.		
D553,285	S	*	10/2007	Curtin	D26/67
D629,551	S	*	12/2010	Jing	D26/67
D693,510	S	*	11/2013	Chen	D26/67
D730,554	S	*	5/2015	Orellana	D26/67
D741,532	S	*	10/2015	Swope	D26/67
9,763,539	B2	*	9/2017	Robles	A47J 33/00
2003/0075166	A1		4/2003	Glass		
2012/0318255	A1		12/2012	Brown		

* cited by examiner

Related U.S. Application Data

(63) Continuation-in-part of application No. 14/511,216, filed on Oct. 10, 2014, now Pat. No. 9,763,539.

(51) **LOC (11) Cl.** **23-03**

(52) **U.S. Cl.**
USPC **D23/341**

(58) **Field of Classification Search**
USPC D23/343, 345, 346, 347, 335, 341, 332, D23/331; D8/380, 373, 376, 307, 353, D8/352, 367, 378, 310; D26/154, 67, 93; D25/135, 38; D7/333, 331, 332, 334, D7/335, 336, 339; D11/184, 181, 164
CPC A47J 33/00; A47J 2037/0795
See application file for complete search history.

(56) **References Cited**

U.S. PATENT DOCUMENTS

5,094,223	A		3/1992	Gonzalez		
D451,614	S	*	12/2001	Merrick	D25/135
D453,583	S	*	2/2002	Shimada	D26/154

Primary Examiner — T Chase Nelson

Assistant Examiner — Ania Aman

(74) *Attorney, Agent, or Firm* — Global Intellectual Property Agency, LLC; Daniel Boudwin

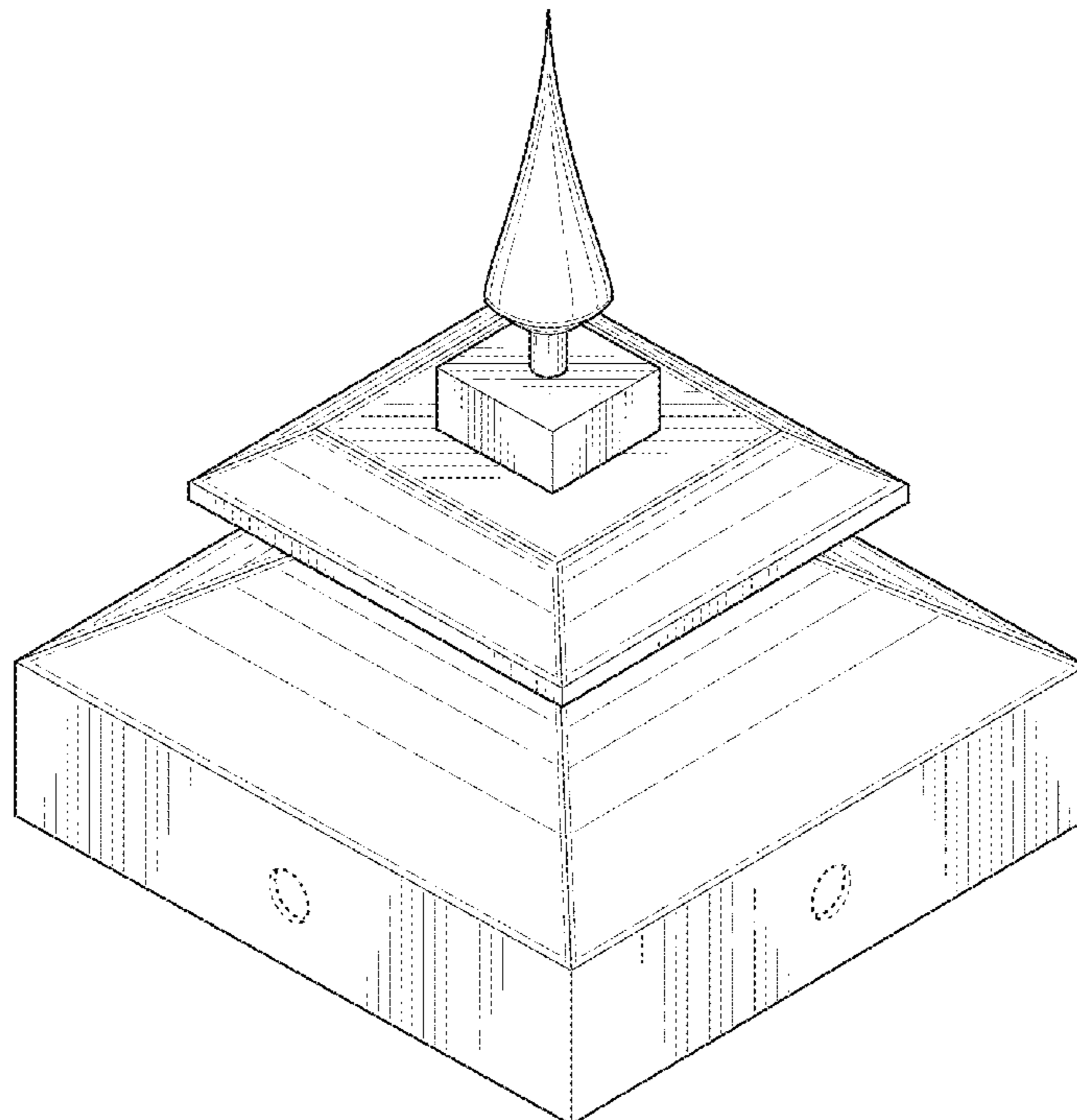
(57) **CLAIM**

The ornamental design for a grill ornament, as shown and described.

DESCRIPTION

FIG. 1 shows a perspective view of the grill ornament. FIG. 2 shows a front elevation view thereof. FIG. 3 shows a rear elevation view thereof. FIG. 4 shows a right side elevation view thereof. FIG. 5 shows a left side elevation view thereof. FIG. 6 shows a top plan view thereof; and, FIG. 7 shows a bottom plan view thereof. In the drawings, the broken lines depict environmental subject matter only and form no part of the claimed design.

1 Claim, 4 Drawing Sheets



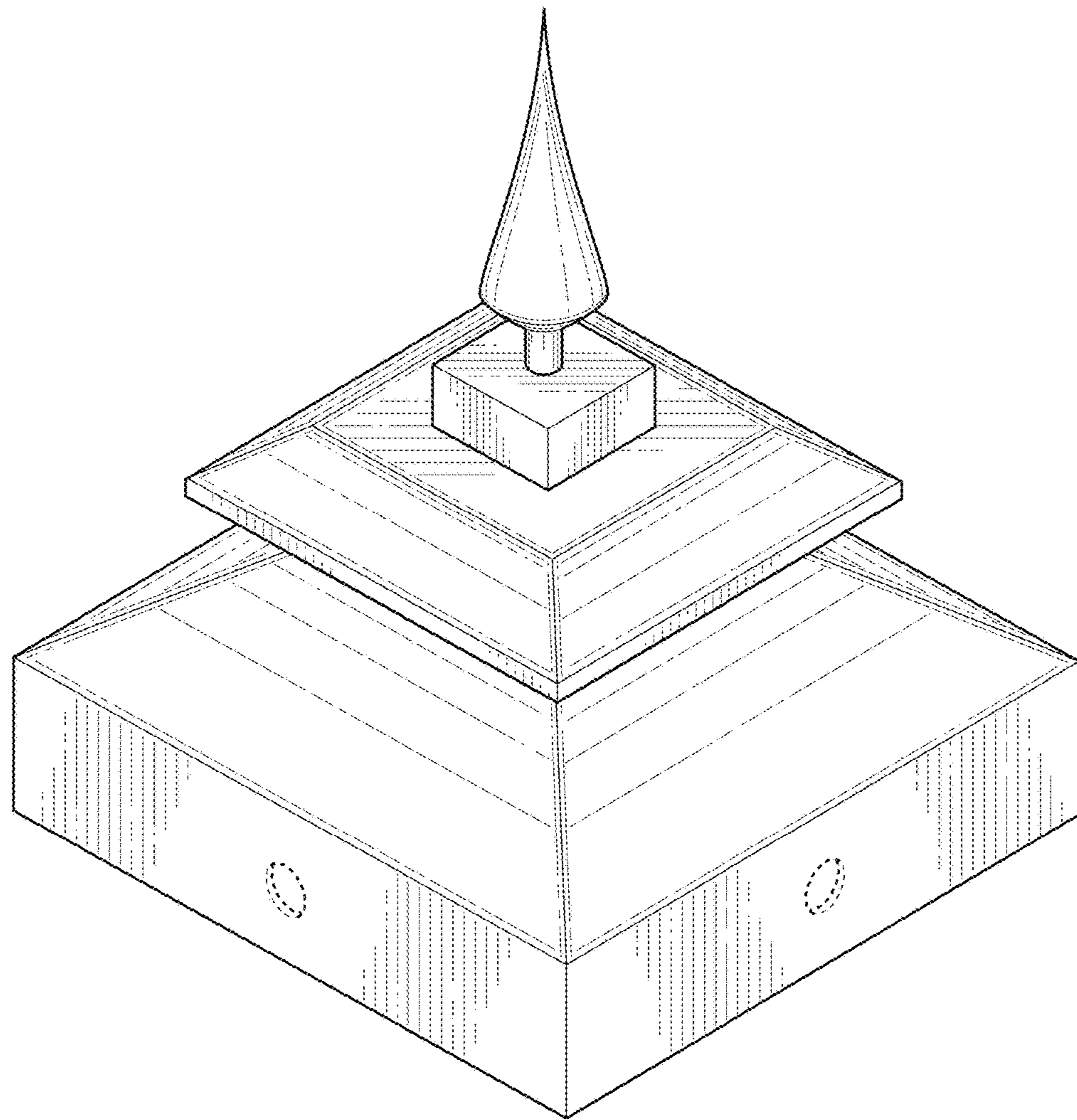


FIG. 1

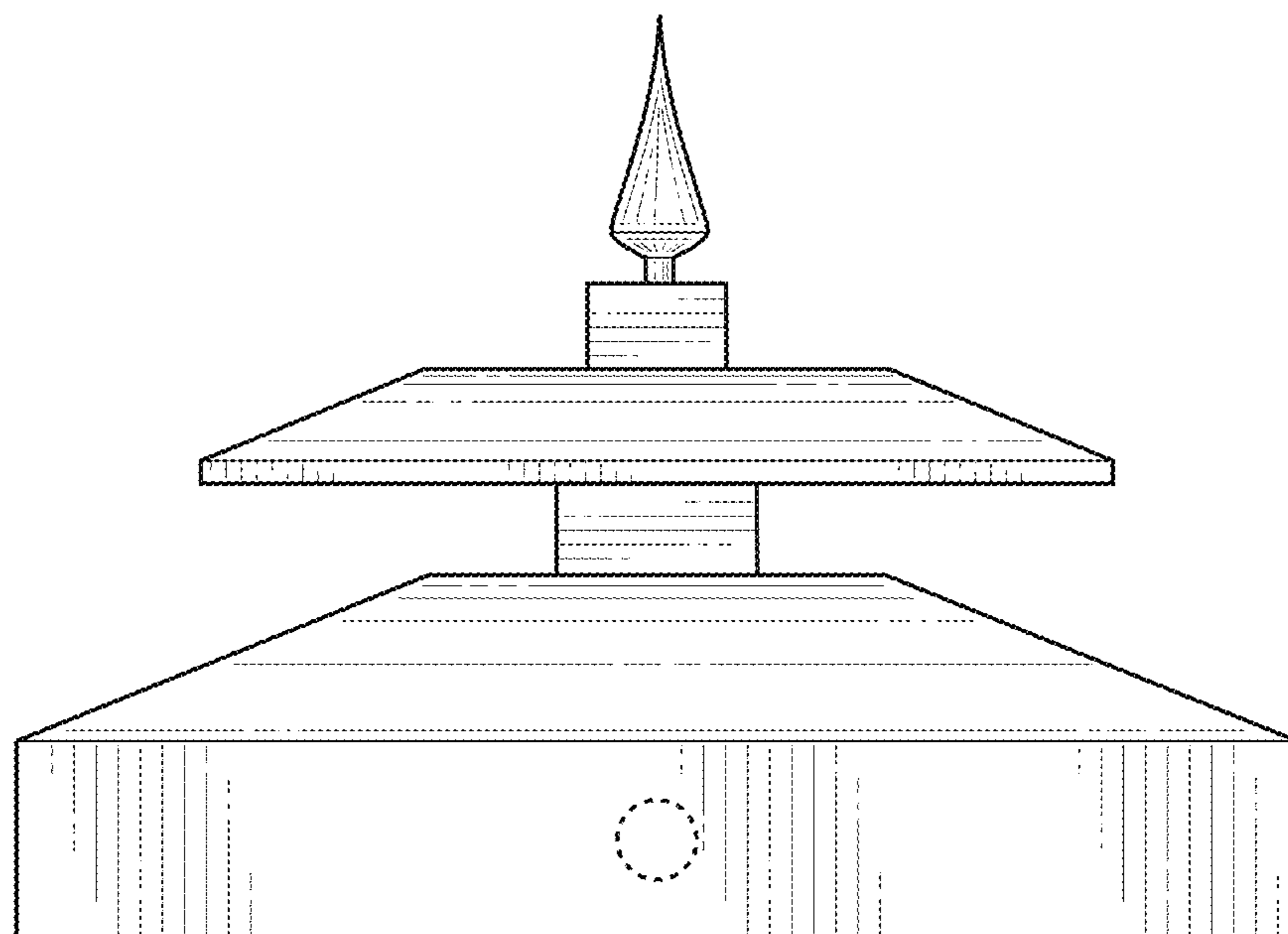


FIG. 2

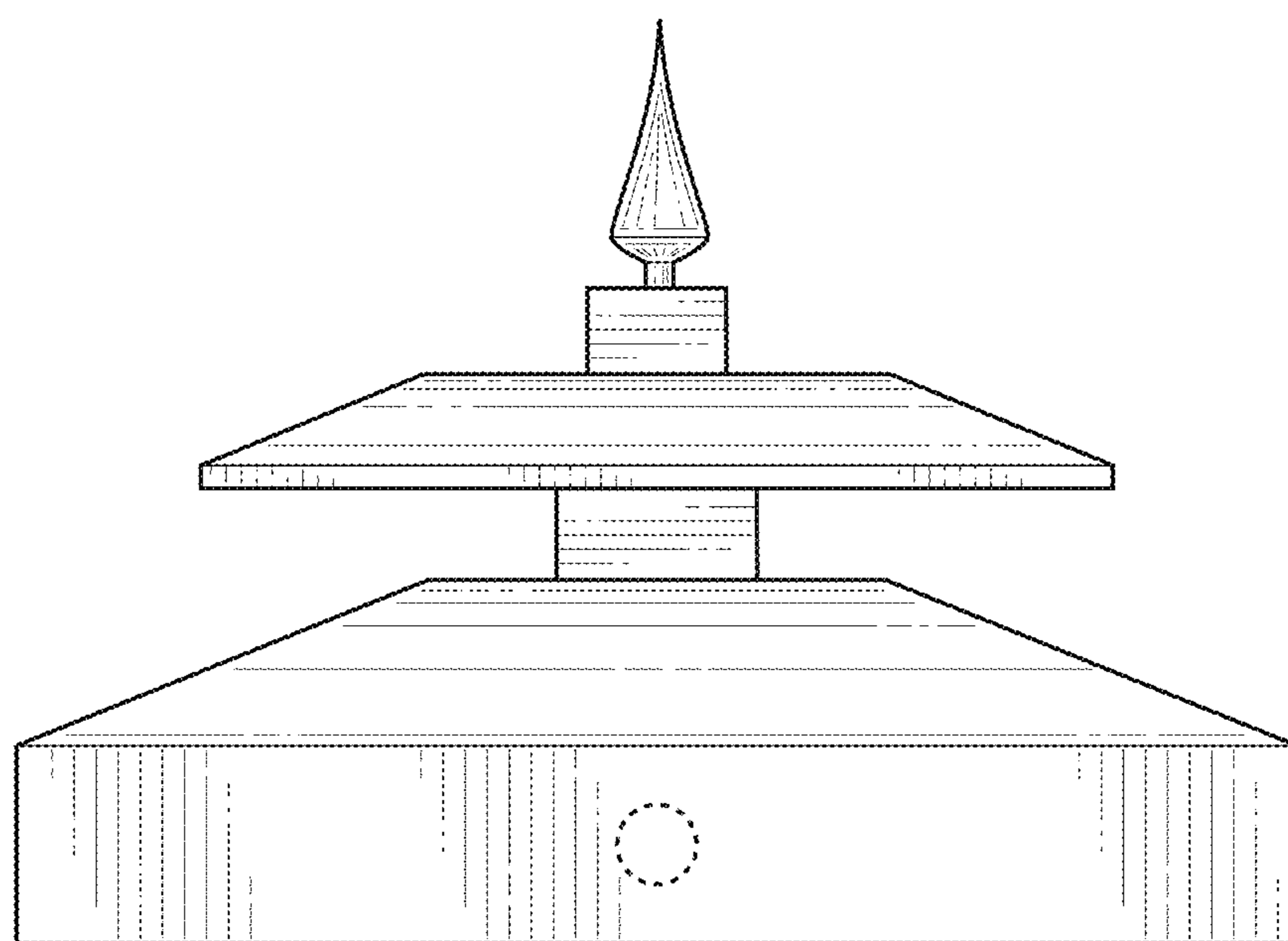


FIG. 3

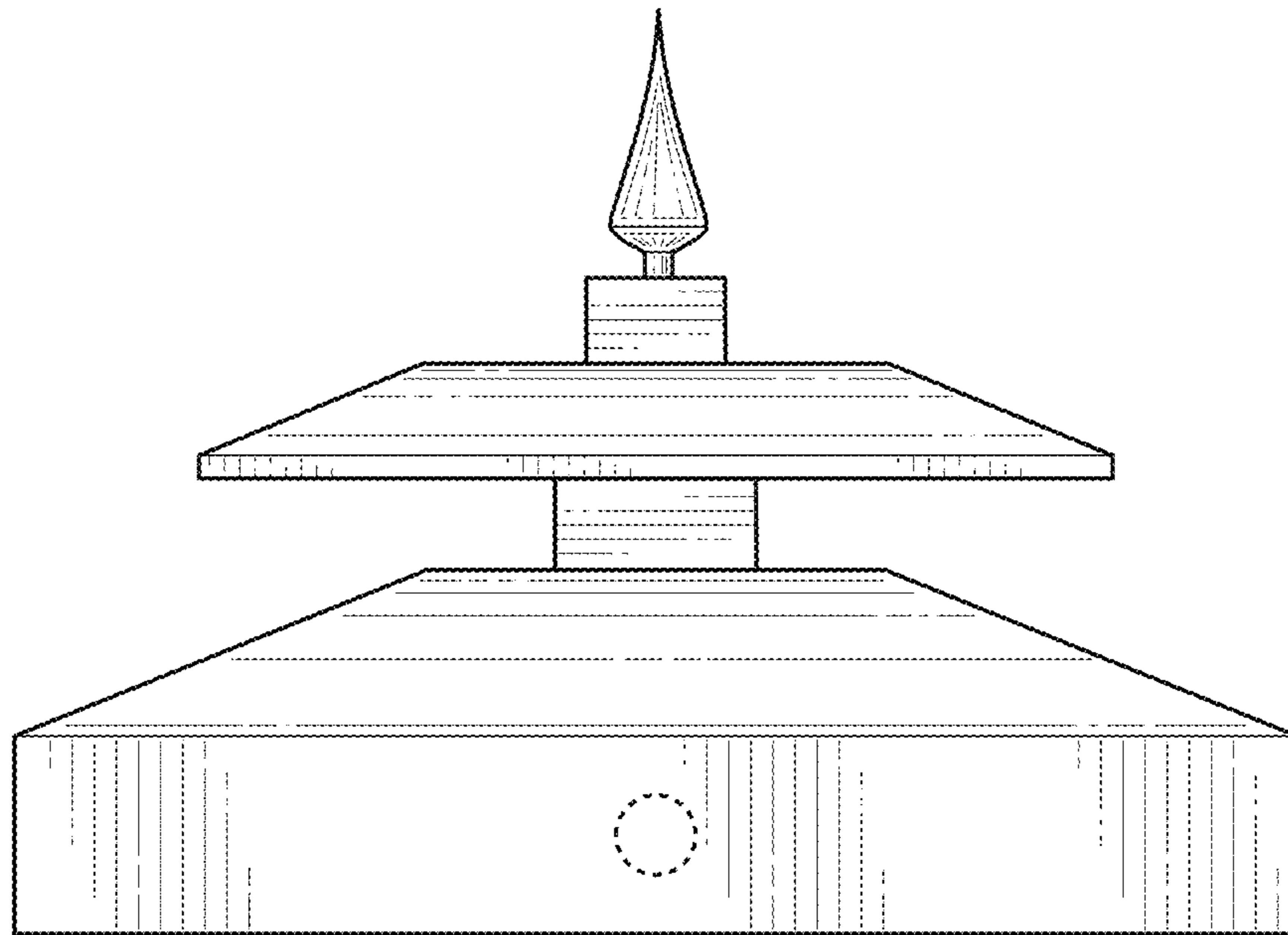


FIG. 4

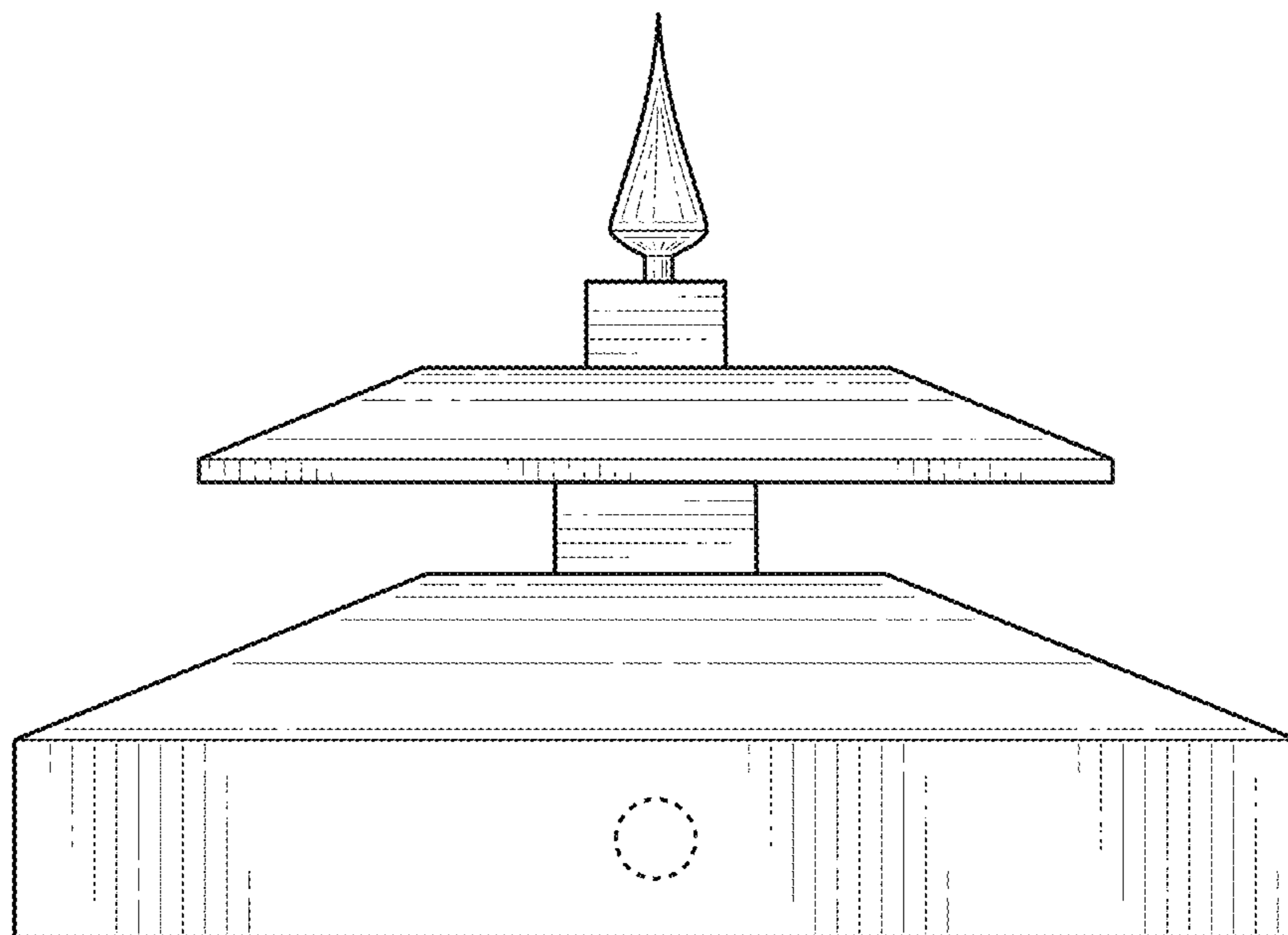


FIG. 5

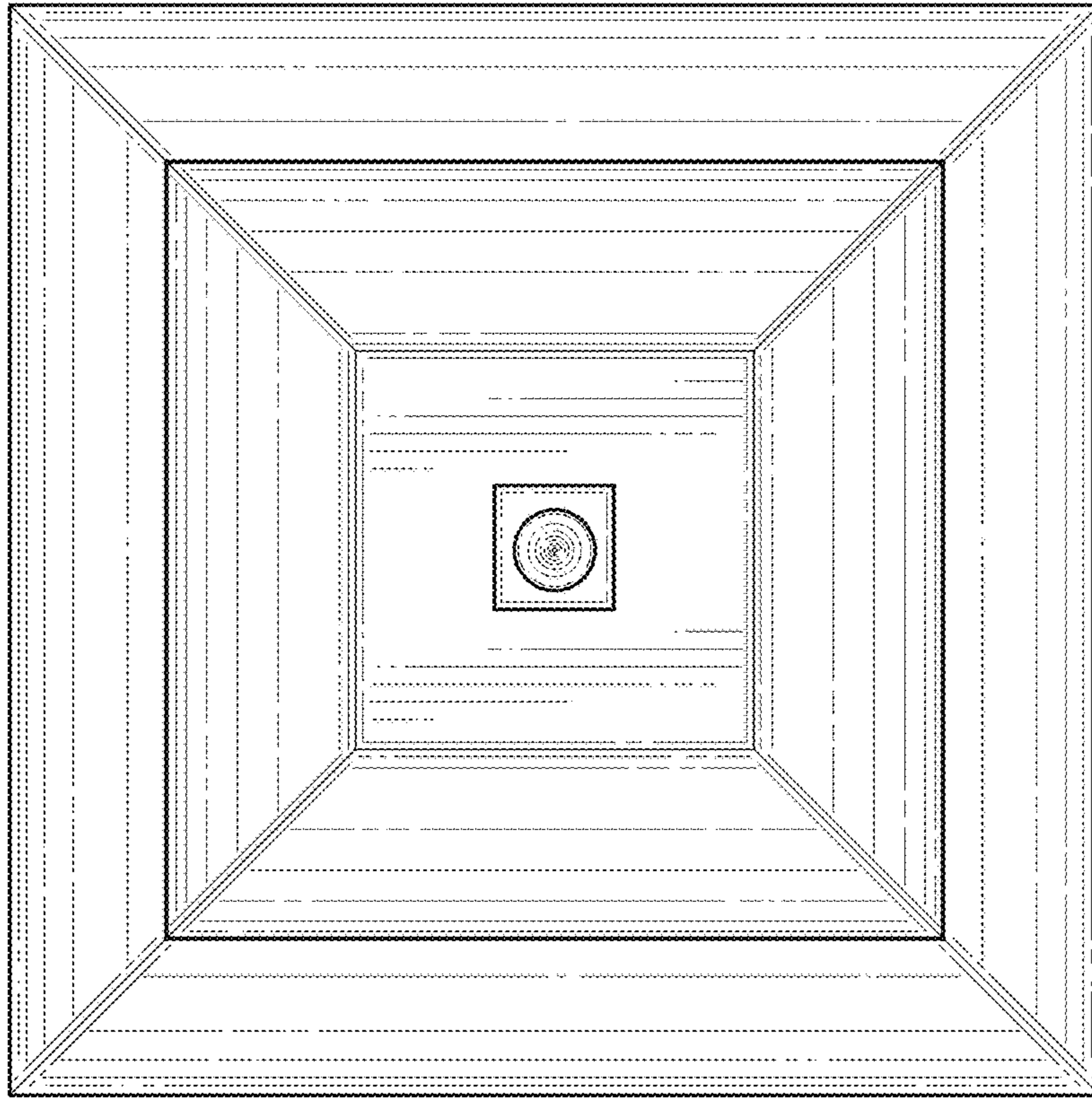


FIG. 6

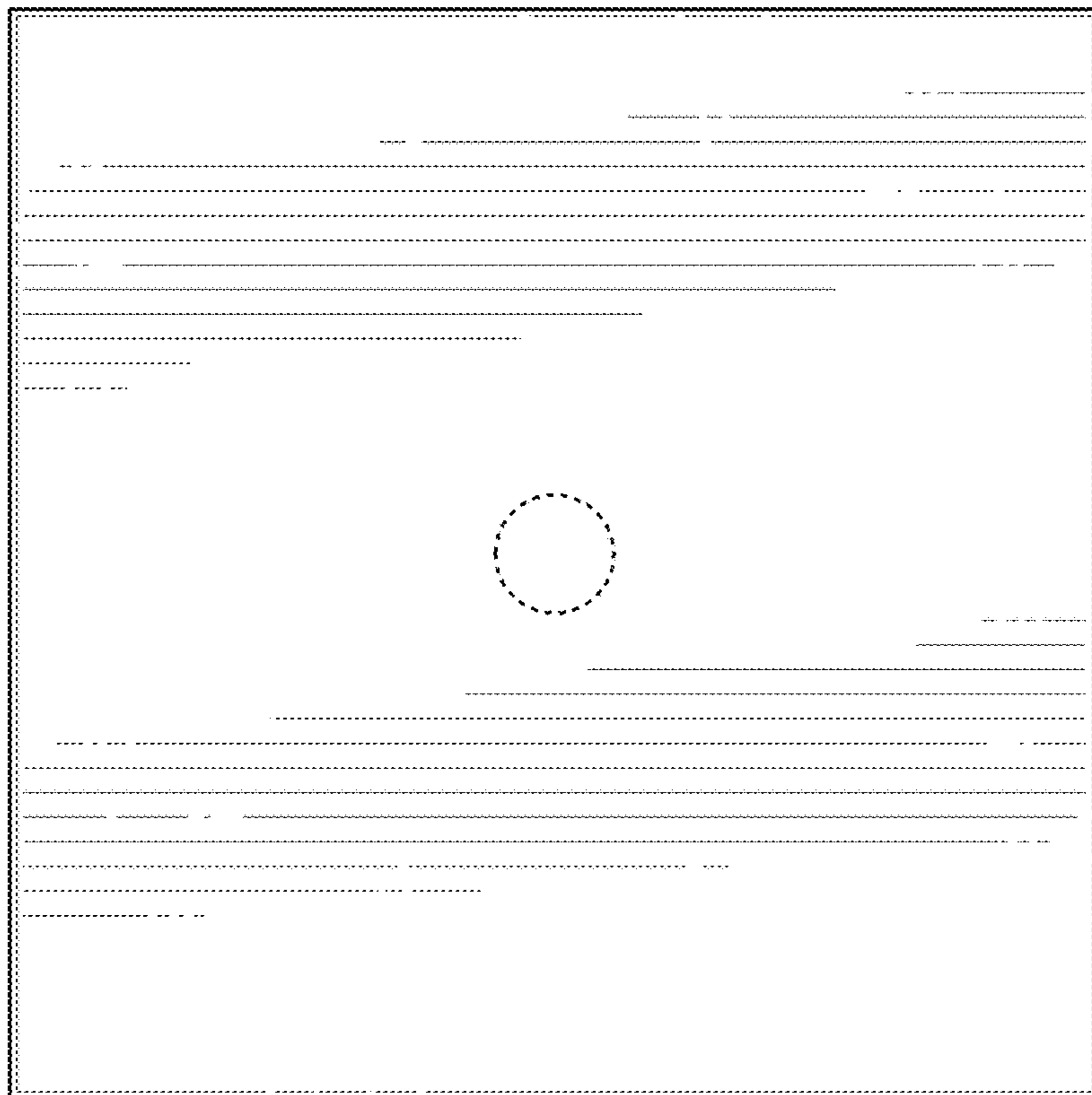


FIG. 7