



US00D841788S

(12) **United States Design Patent** (10) **Patent No.:** **US D841,788 S**  
**Gough et al.** (45) **Date of Patent:** **\*\* Feb. 26, 2019**

(54) **PORTABLE, HANDHELD INDUCTION HEATER**

(71) Applicant: **Sarge Holdings Co., LLC**, Elgin, IL (US)

(72) Inventors: **Thomas M. Gough**, Gilberts, IL (US); **Paul G. Astrowski**, Carol Stream, IL (US); **Lawrence S. Erst**, Addison, IL (US); **Josh Gore**, McHenry, IL (US)

(73) Assignee: **Sarge Holdings Company, LLC**, Elgin, IL (US)

(\*\*) Term: **15 Years**

(21) Appl. No.: **29/544,260**

(22) Filed: **Nov. 2, 2015**

(51) **LOC (11) Cl.** ..... **23-03**

(52) **U.S. Cl.**  
USPC ..... **D23/314**

(58) **Field of Classification Search**  
USPC ..... D23/213, 223, 226, 314, 316, 341, 322;  
D13/173, 158, 107, 108; D8/14, 29.41,  
D8/29.2, 30, 40, 499, 107, 29.1, 61, 68,  
D8/83; D26/37, 41-48; D24/152, 107,  
D24/133, 147, 156, 176, 180, 182, 153,  
D24/43, 45, 33, 37-38, 41, 48, 50, 51;  
D15/144, 144.1, 144.2  
CPC ... H05B 6/10; H05B 6/02; H05B 6/36; H05B  
6/14; H05B 6/06; H05B 6/105; H05B  
6/101

See application file for complete search history.

(56) **References Cited**

U.S. PATENT DOCUMENTS

- 2,849,590 A \* 8/1958 Stiebel ..... H01H 13/06  
200/302.1
- D214,056 S \* 5/1969 Trepanier ..... D15/144
- D290,550 S \* 6/1987 Tsuji ..... D4/102
- D301,496 S \* 6/1989 Yonesawa ..... D8/61
- D306,248 S \* 2/1990 Levy ..... D8/14

- D434,959 S \* 12/2000 McCallops ..... D8/61
- D485,737 S \* 1/2004 Levine ..... D8/68
- D486,713 S \* 2/2004 Lai ..... D8/68
- D514,413 S \* 2/2006 Cuenca ..... D8/68
- D583,639 S \* 12/2008 Axinte ..... D8/14.1

(Continued)

FOREIGN PATENT DOCUMENTS

EM 002076372 7/2012

OTHER PUBLICATIONS

[www.web.archive.org/web/20151009082607/http://www.theinductor.com:80/](http://www.web.archive.org/web/20151009082607/http://www.theinductor.com:80/) Captured on Wayback Machine on Oct. 9, 2015.

*Primary Examiner* — T Chase Nelson

*Assistant Examiner* — Ania Aman

(74) *Attorney, Agent, or Firm* — Michael P. Mazza, LLC

(57) **CLAIM**

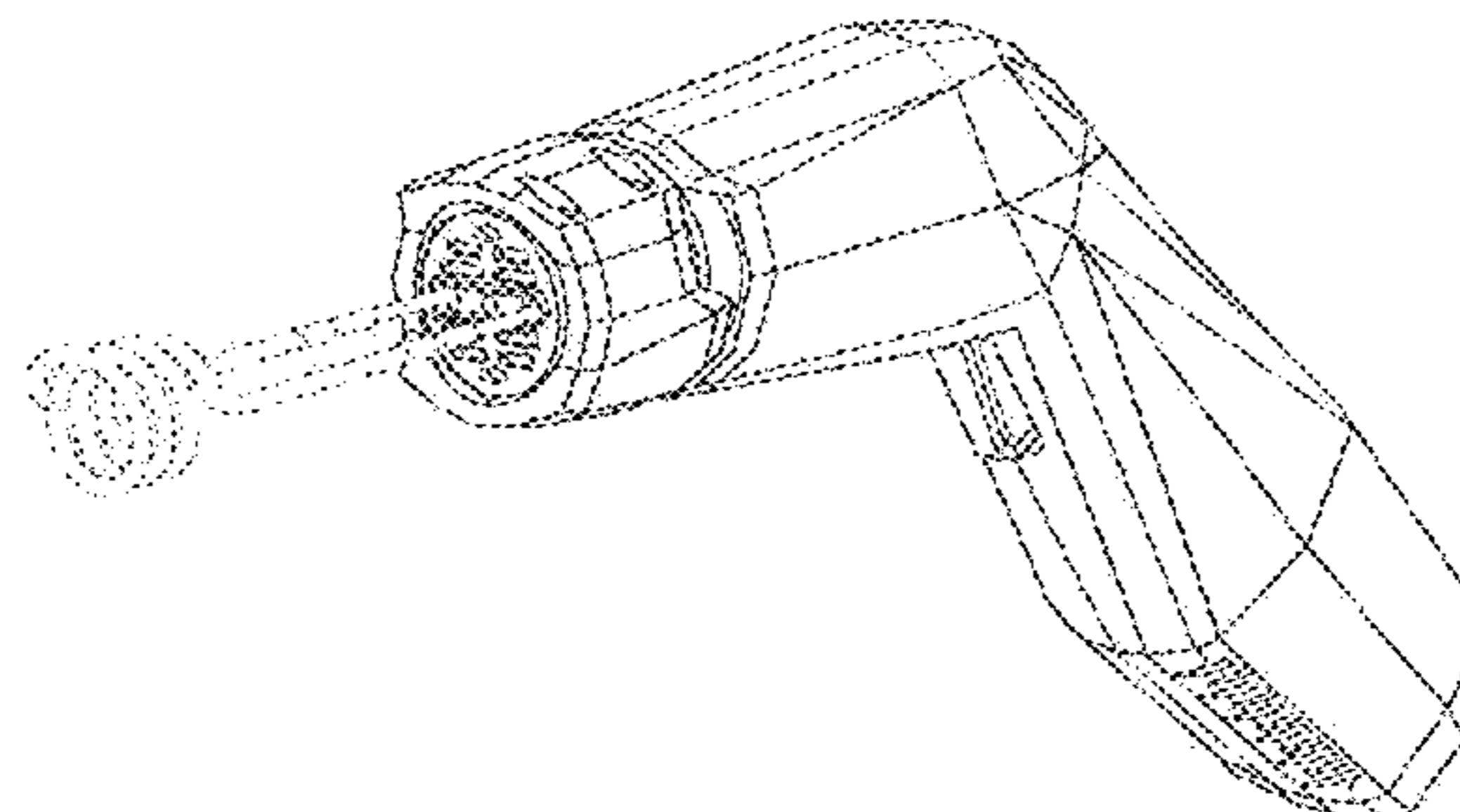
The ornamental design for a portable, handheld induction heater, as shown and described.

**DESCRIPTION**

FIG. 1 is a side and top perspective view of a portable, handheld induction heater showing our design; FIG. 2 is a top perspective view of the portable, handheld induction heater design shown in FIG. 1; FIG. 3 is a left-side perspective view of the design shown in FIG. 1; FIG. 4 is a right-side perspective view of the design shown in FIG. 1; FIG. 5 is a bottom perspective view of the design shown in FIG. 1; FIG. 6 is a front perspective view of the design shown in FIG. 1; and, FIG. 7 is a rear perspective view of the design shown in FIG. 1.

In the drawings, the broken lines depict unclaimed subject matter only and form no part of the claimed design.

**1 Claim, 4 Drawing Sheets**



(56)

**References Cited**

U.S. PATENT DOCUMENTS

D638,270 S *	5/2011	Flattinger	.....	D8/107
D670,389 S *	11/2012	Chen	.....	D24/171
D698,378 S *	1/2014	Leiteritz	.....	D15/144.2
2013/0056456 A1 *	3/2013	Schlipf	.....	H05B 3/48
				219/546
2016/0119980 A1 *	4/2016	van Velden	.....	H05B 6/36
				219/674

\* cited by examiner

Fig. 1

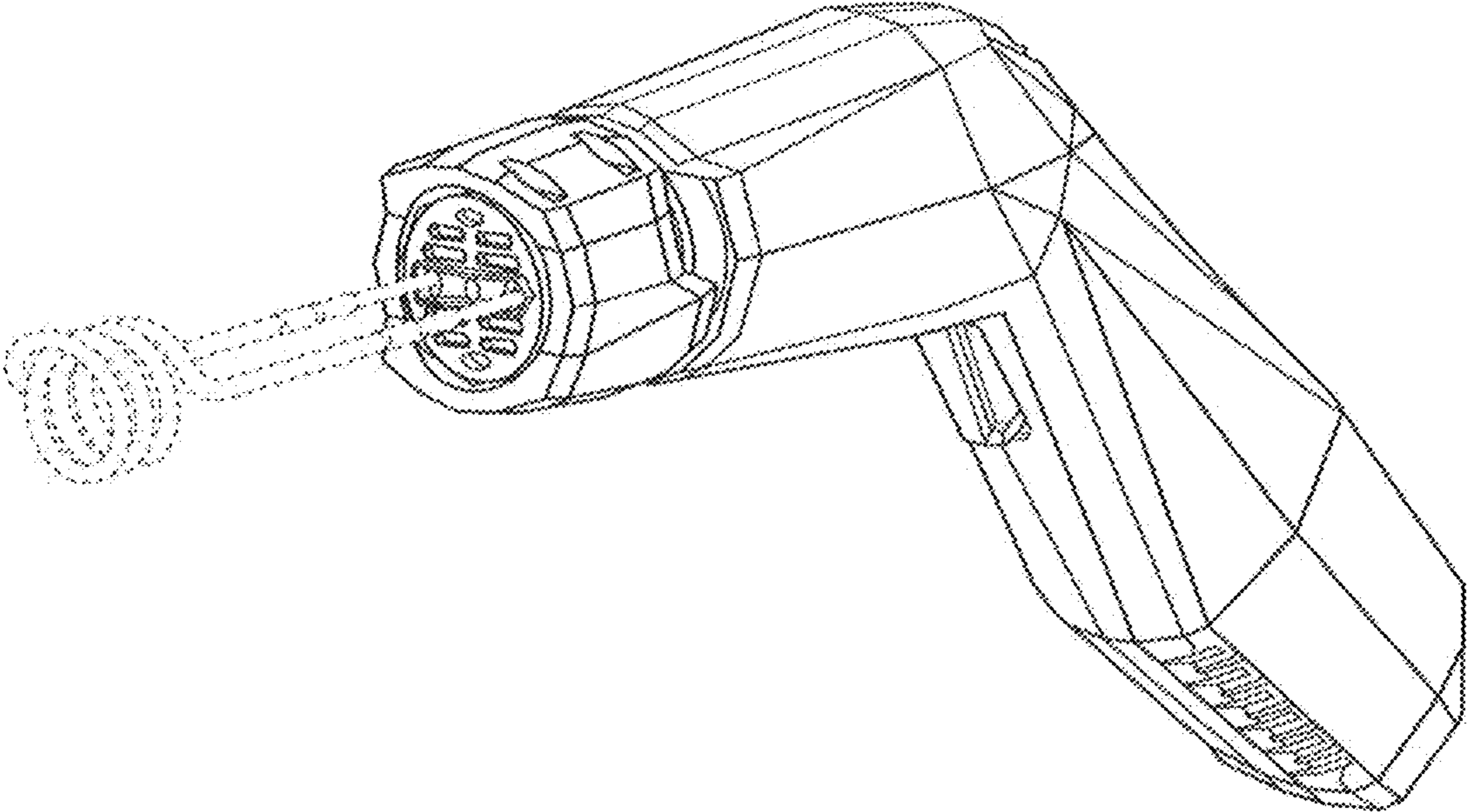


Fig. 2

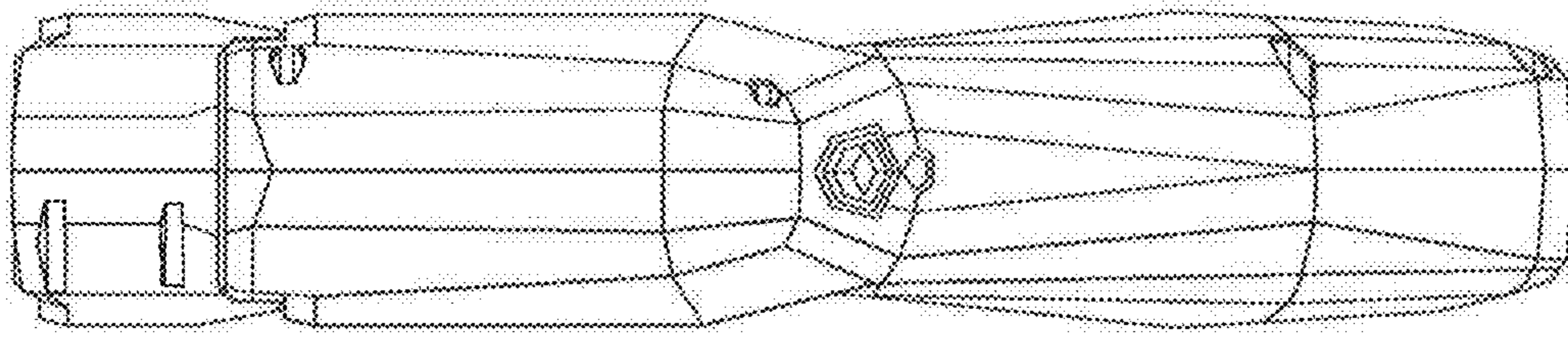


Fig. 3

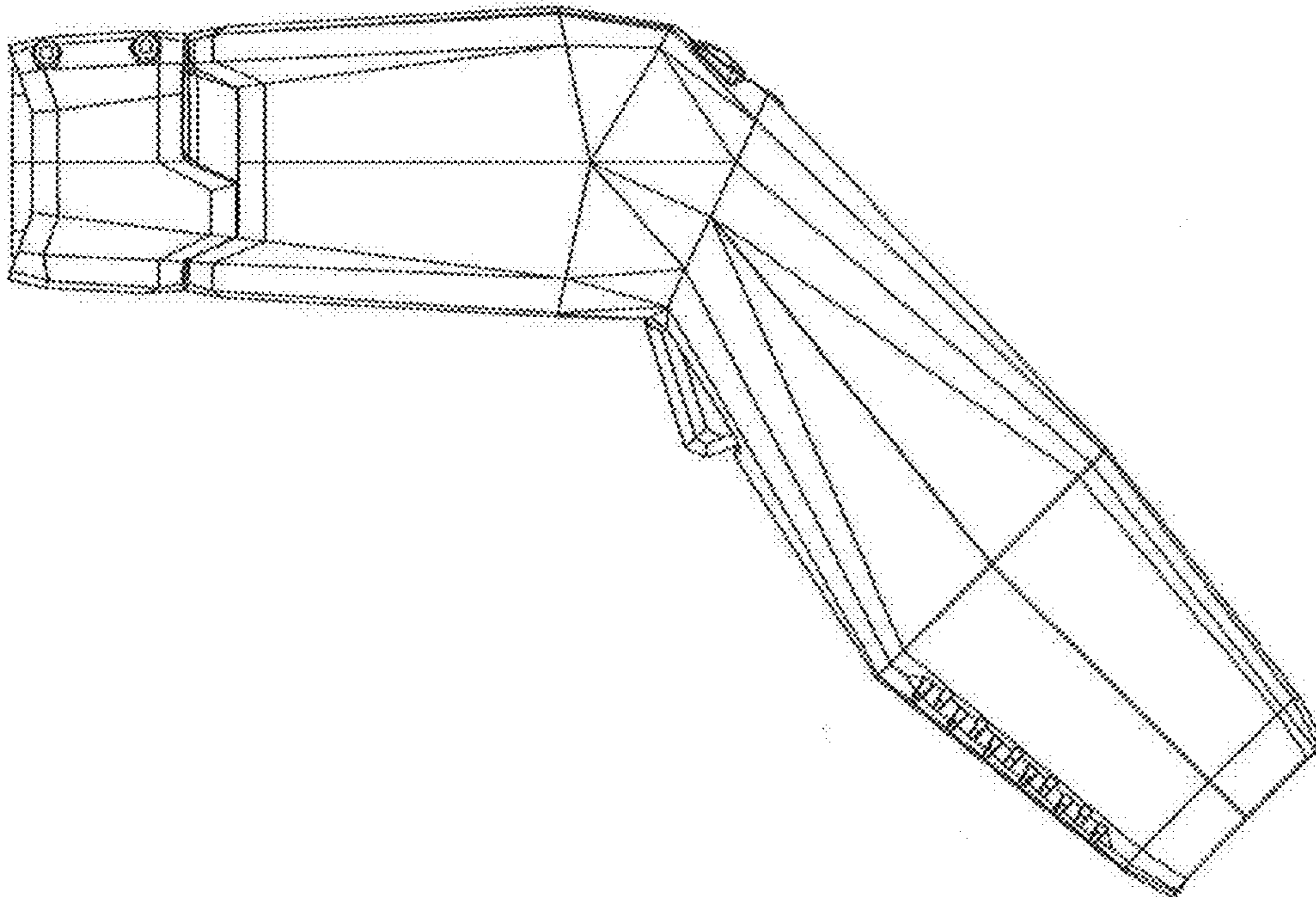


Fig. 4

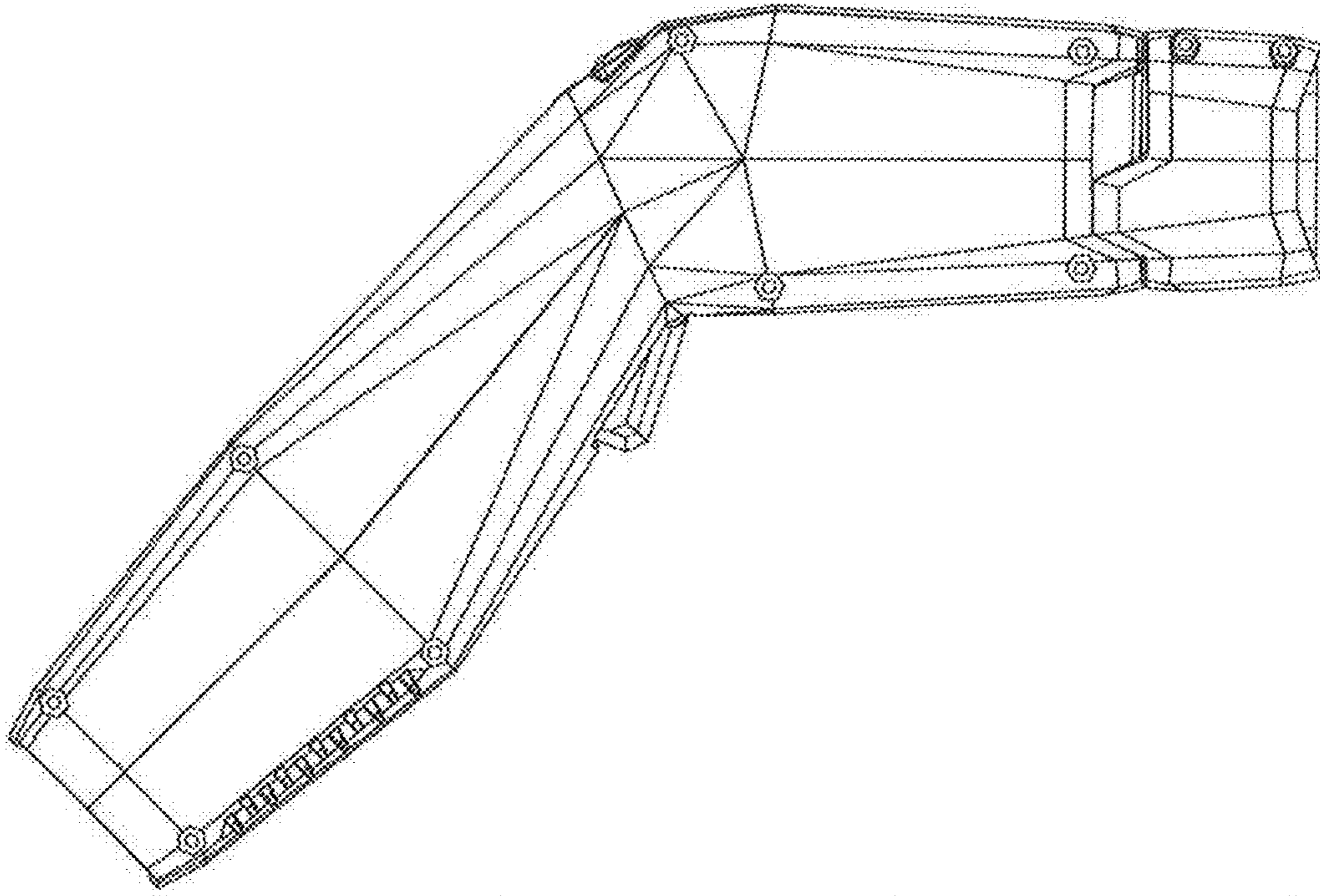


Fig. 5

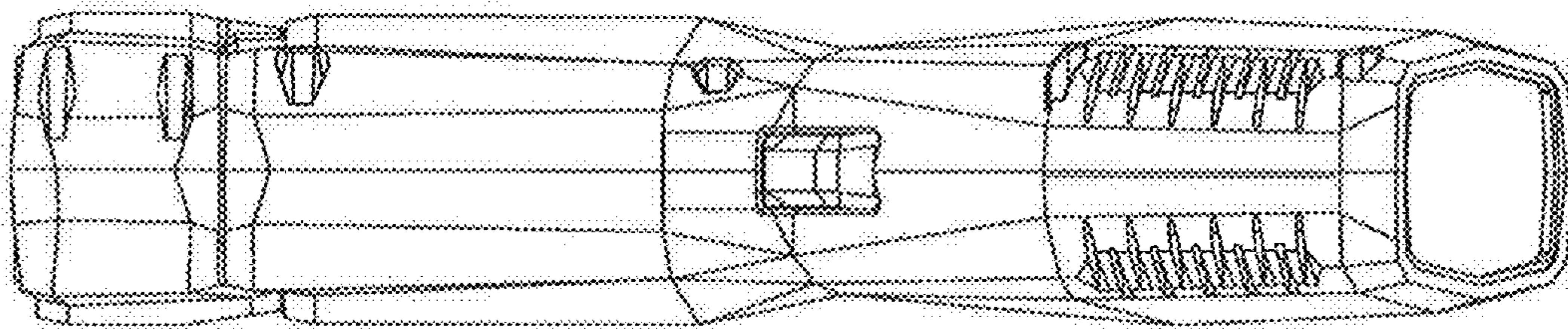


Fig. 6

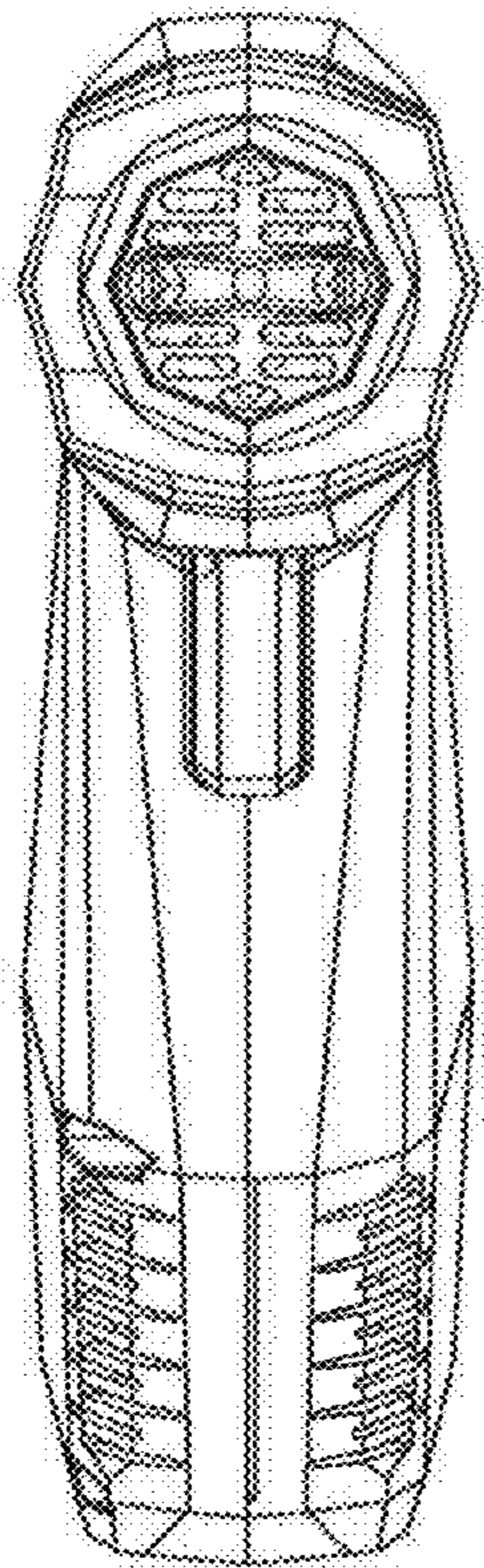


Fig. 7

