



US00D841786S

(12) **United States Design Patent** (10) **Patent No.:** **US D841,786 S**
Hsieh (45) **Date of Patent:** **** Feb. 26, 2019**

- (54) **SHOWER HEAD CONTROLLER**
- (71) Applicant: **HER CHERNG SANITARY CO., LTD.**, Homei Township, Chang Hua County (TW)
- (72) Inventor: **Chin-Hsiang Hsieh**, Homei Township, Chang Hua County (TW)
- (73) Assignee: **HER CHERNG SANITARY CO., LTD.**, Chang Hua County (TW)
- (**) Term: **15 Years**
- (21) Appl. No.: **29/606,785**
- (22) Filed: **Jun. 7, 2017**
- (51) **LOC (11) Cl.** **23-02**
- (52) **U.S. Cl.**
USPC **D23/304**
- (58) **Field of Classification Search**
USPC D23/233–250, 304, 213, 223, 228, 283, D23/254; 4/615, 601; D8/363; 137/801, 137/359
CPC E03C 1/066; E03C 1/0408
See application file for complete search history.

- 8,621,681 B2 * 1/2014 Macan E03C 1/066 4/615
- D746,422 S * 12/2015 Schoenherr D23/304
- D746,962 S * 1/2016 Citterio D23/304
- 9,347,208 B2 * 5/2016 Quinn E03C 1/0412
- 9,700,909 B2 * 7/2017 Leber E03C 1/06
- 2005/0283904 A1 * 12/2005 Macan E03C 1/0408 4/615

* cited by examiner

Primary Examiner — Cynthia Ramirez
Assistant Examiner — Gino Colan

(57) **CLAIM**

The ornamental design for a shower head controller, as shown and described.

DESCRIPTION

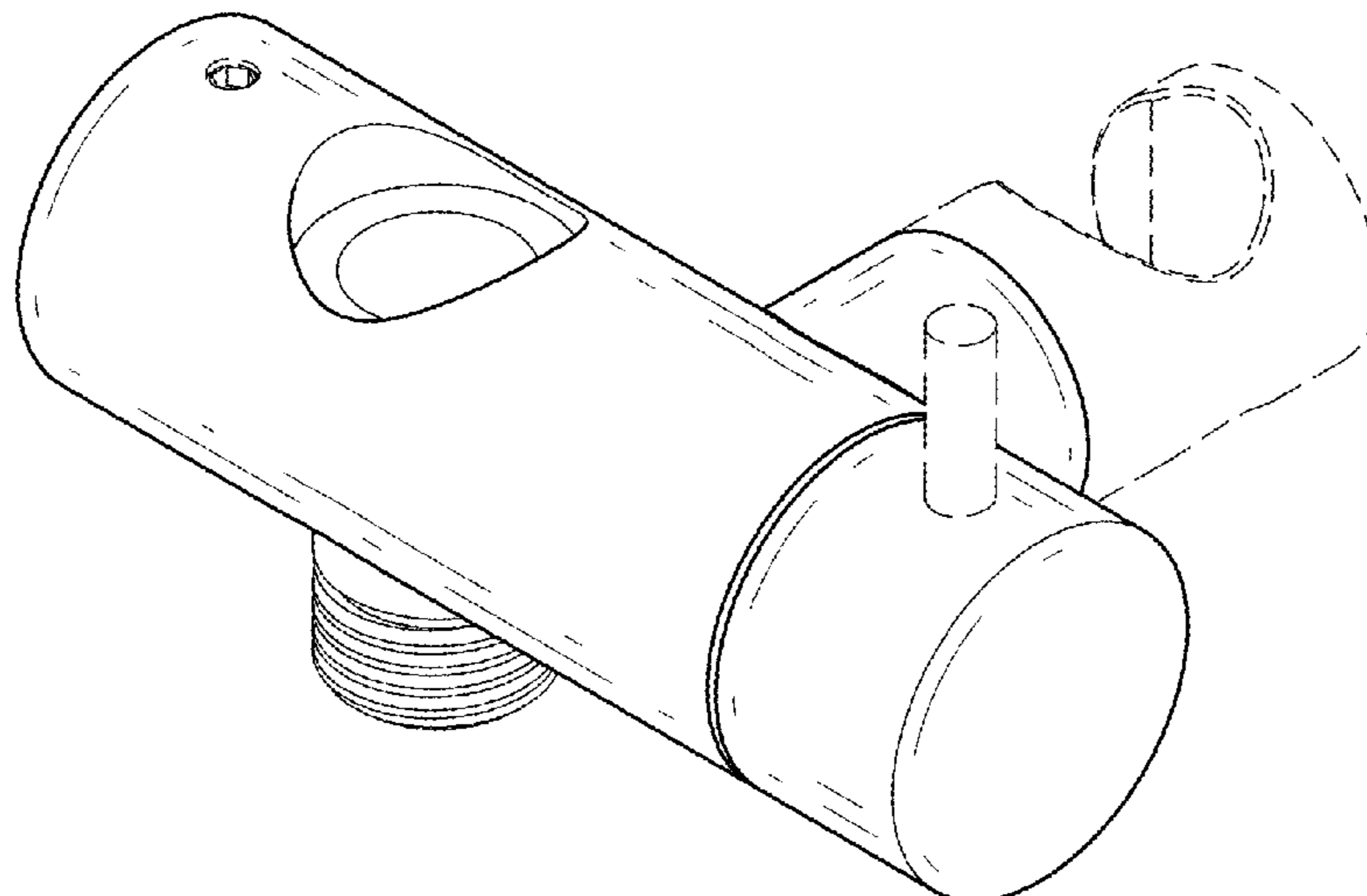
FIG. 1 is a perspective view of a shower head controller showing my new design; FIG. 2 is a front elevational view thereof; FIG. 3 is a rear elevational view thereof; FIG. 4 is a left side elevational view thereof; FIG. 5 is a right side elevational view thereof; FIG. 6 is a top plan view thereof; FIG. 7 is a bottom plan view thereof; and, FIG. 8 is a perspective schematic view illustrating an application of a shower head controller showing my design. The broken lines shown in FIGS. 1 through 8 are for the purpose of illustrating portions of the shower head controller and form no part of the claimed design. The broken lines showing a shower head in FIG. 8 are for the purpose of illustrating environment and form no part of the claimed design.

1 Claim, 5 Drawing Sheets

(56) **References Cited**

U.S. PATENT DOCUMENTS

- D531,259 S * 10/2006 Hsieh D23/213
- D542,391 S * 5/2007 Gilbert D23/304
- D542,393 S * 5/2007 Haug D23/304
- 7,458,112 B1 * 12/2008 Yang E03C 1/0408 137/625.47
- D590,698 S * 4/2009 Moore D8/363
- D596,714 S * 7/2009 Starck D23/254



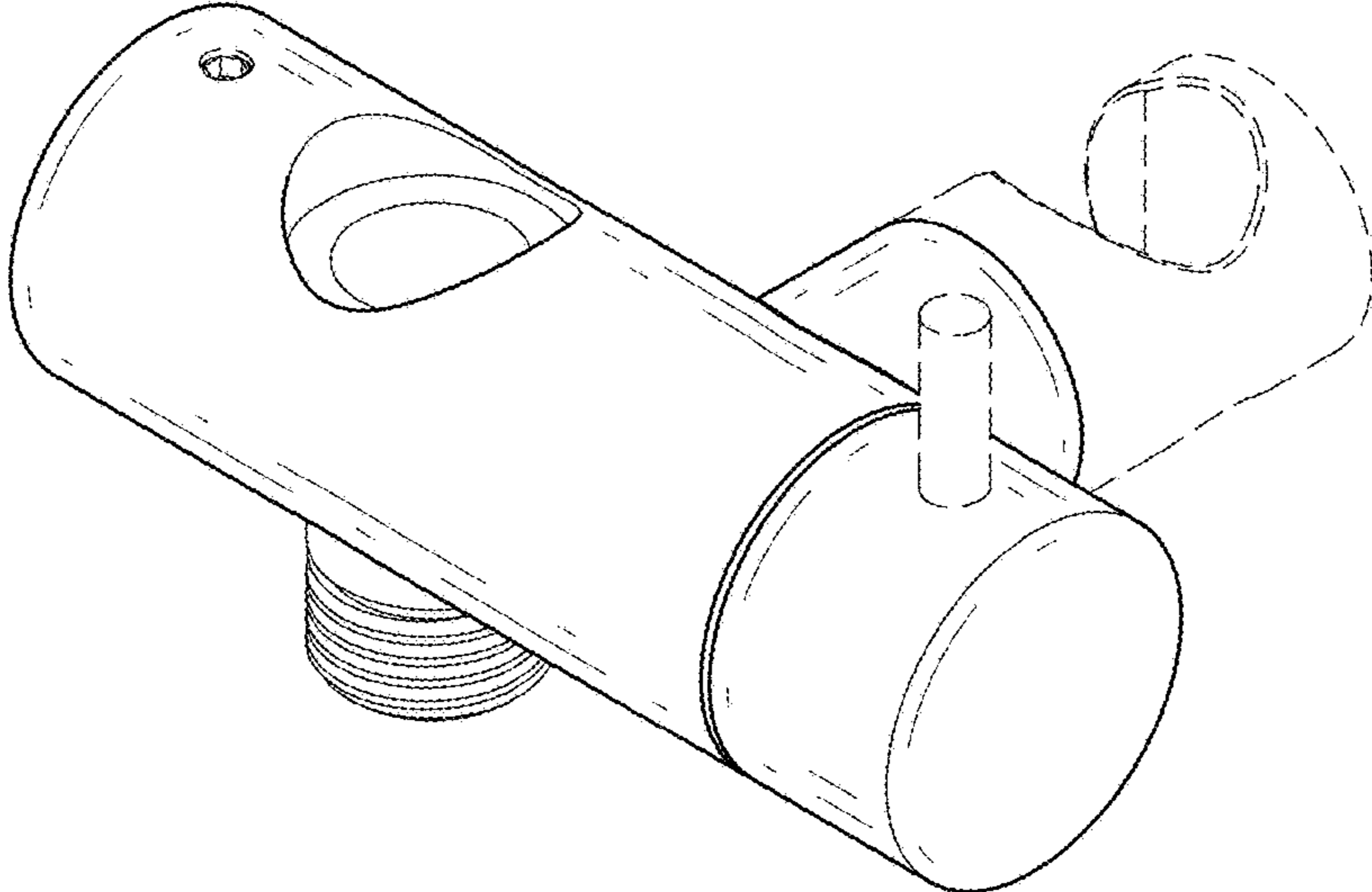


FIG. 1

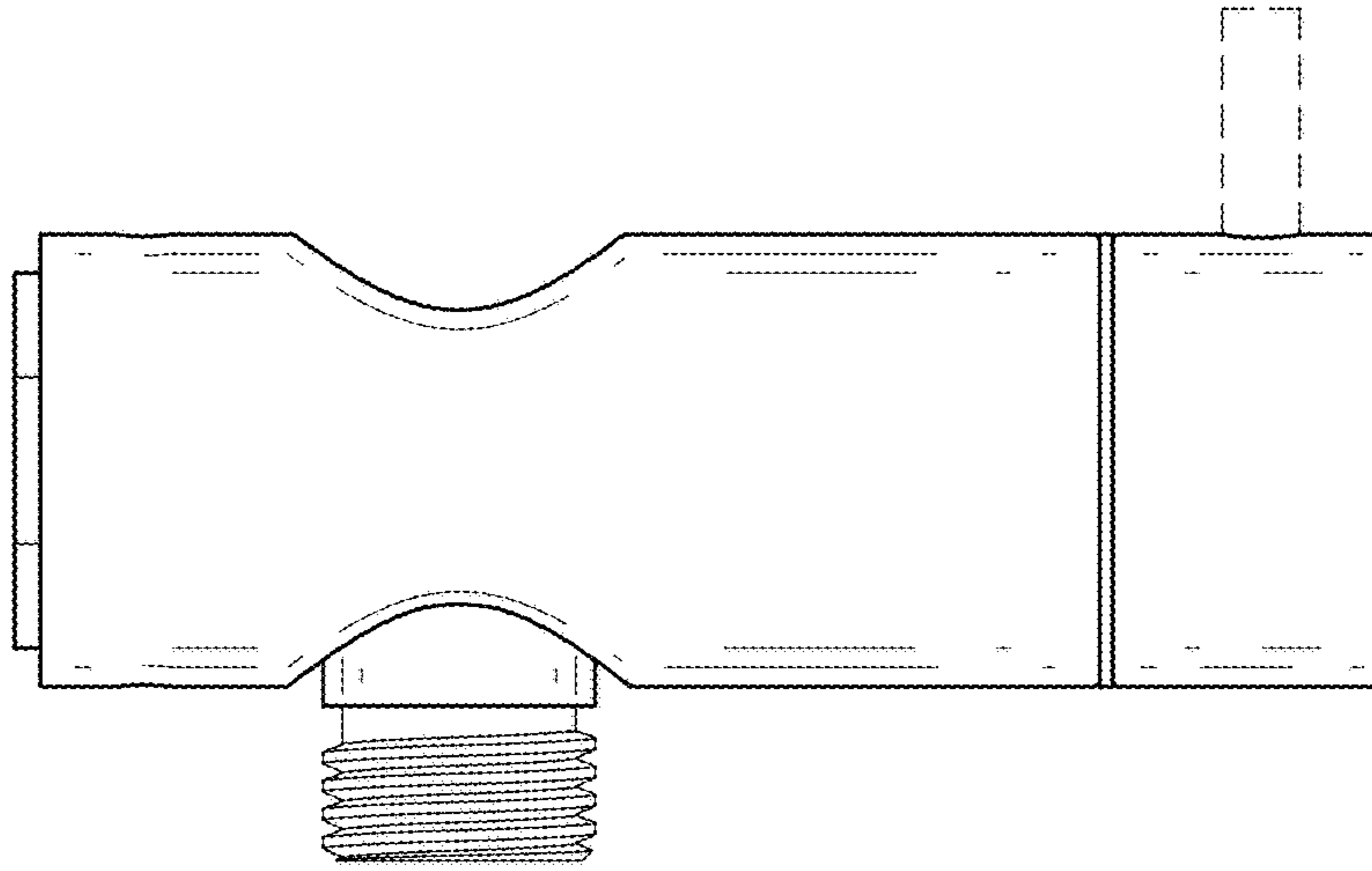


FIG. 2

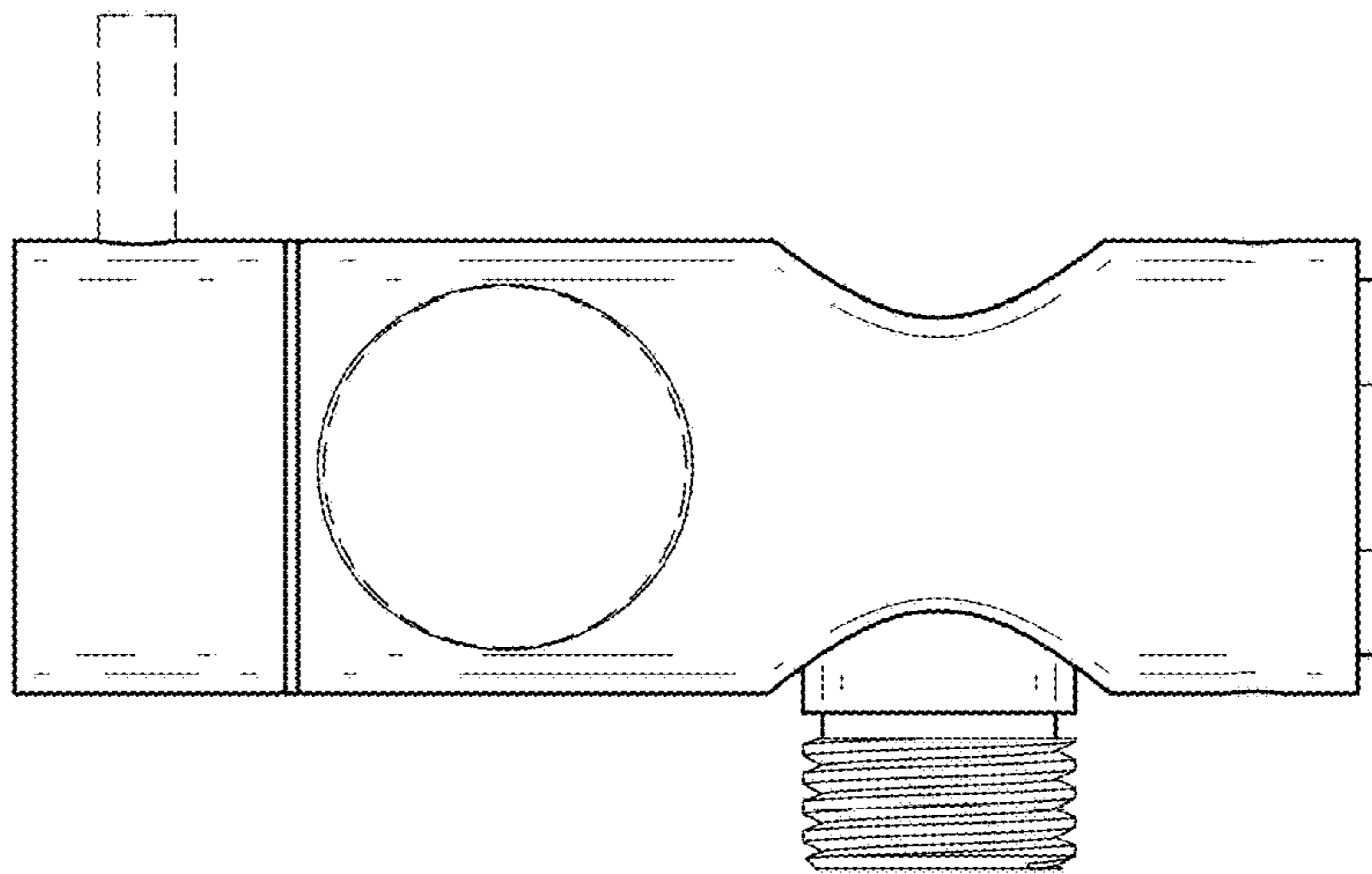


FIG. 3

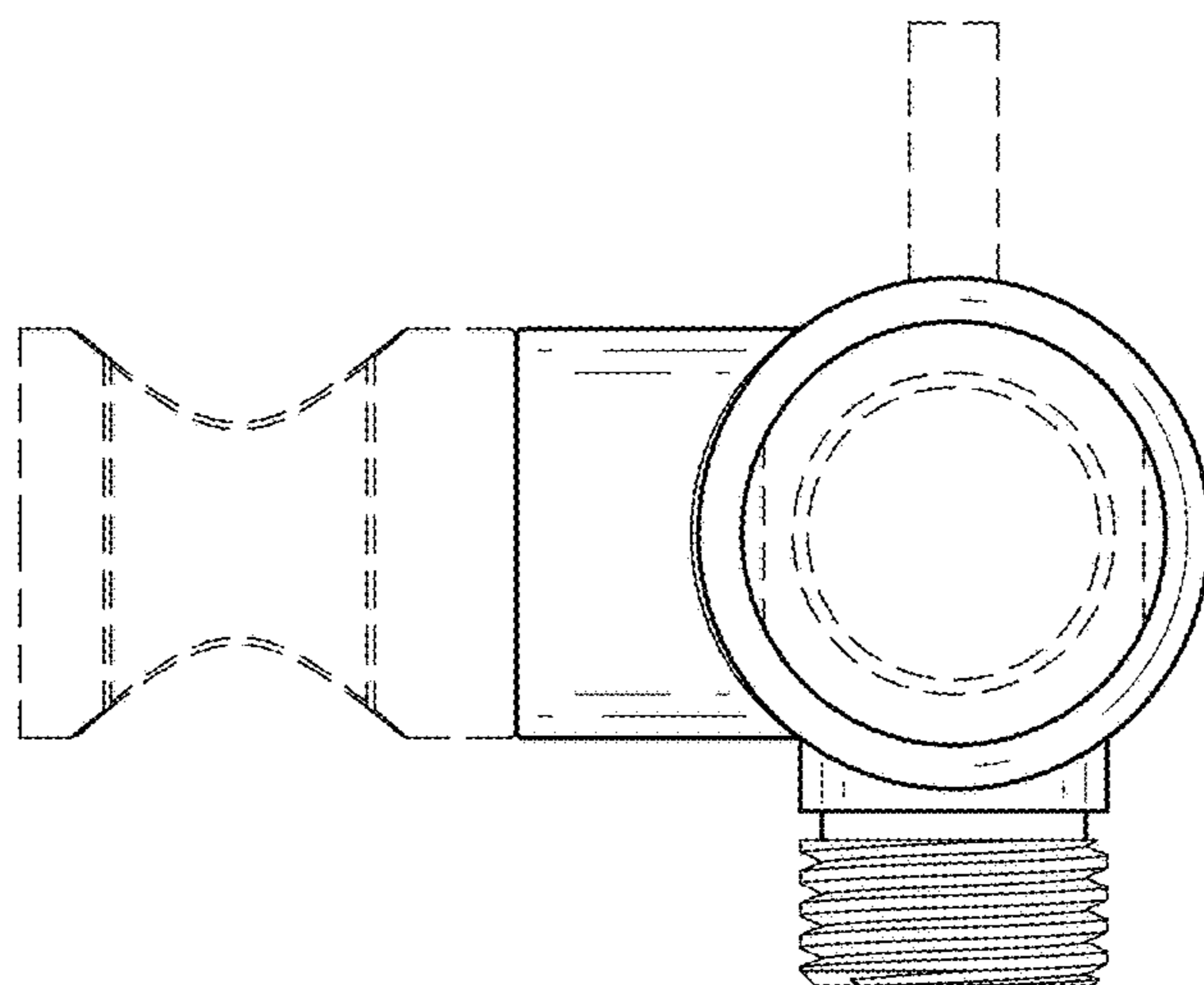


FIG. 4

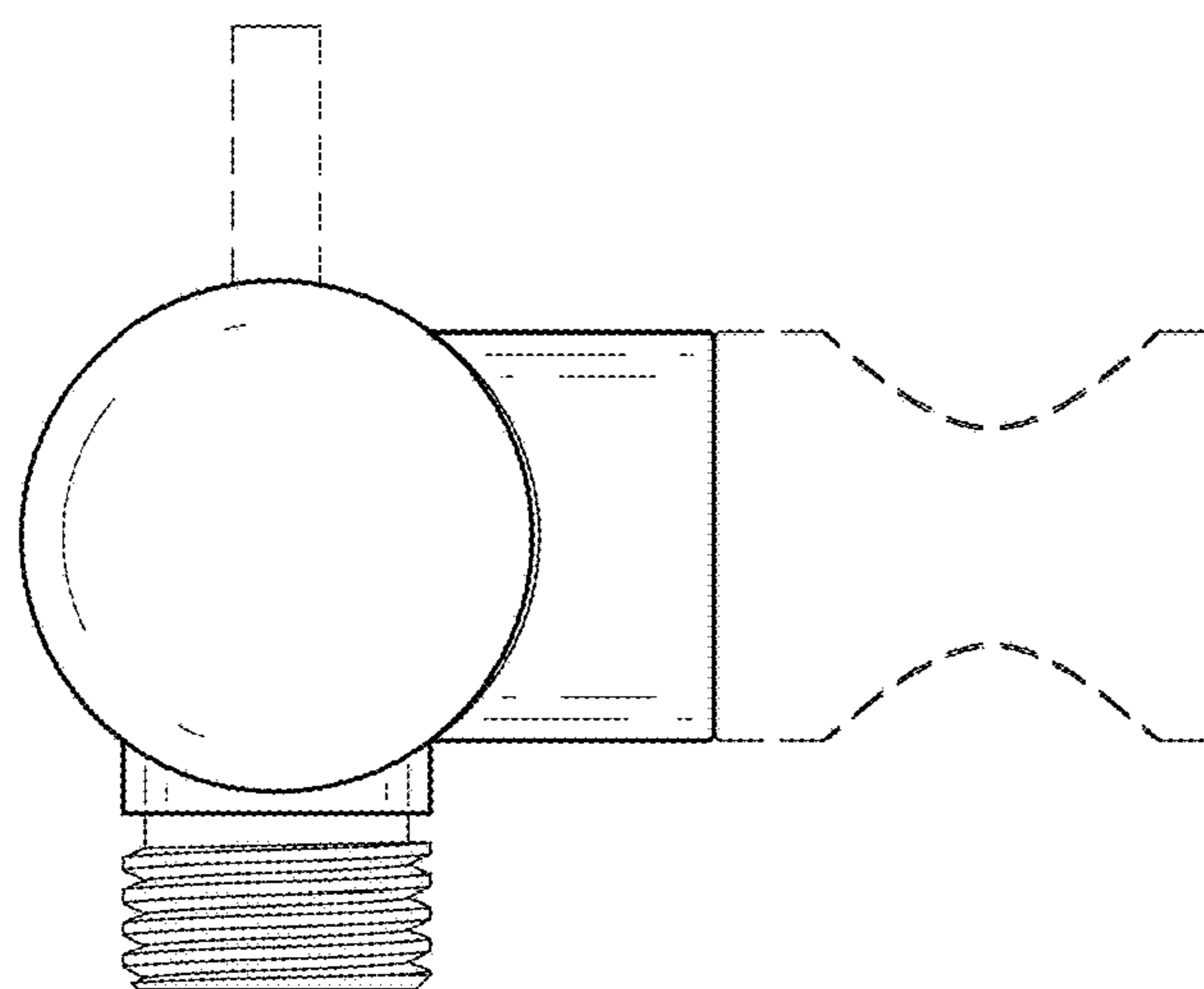


FIG. 5

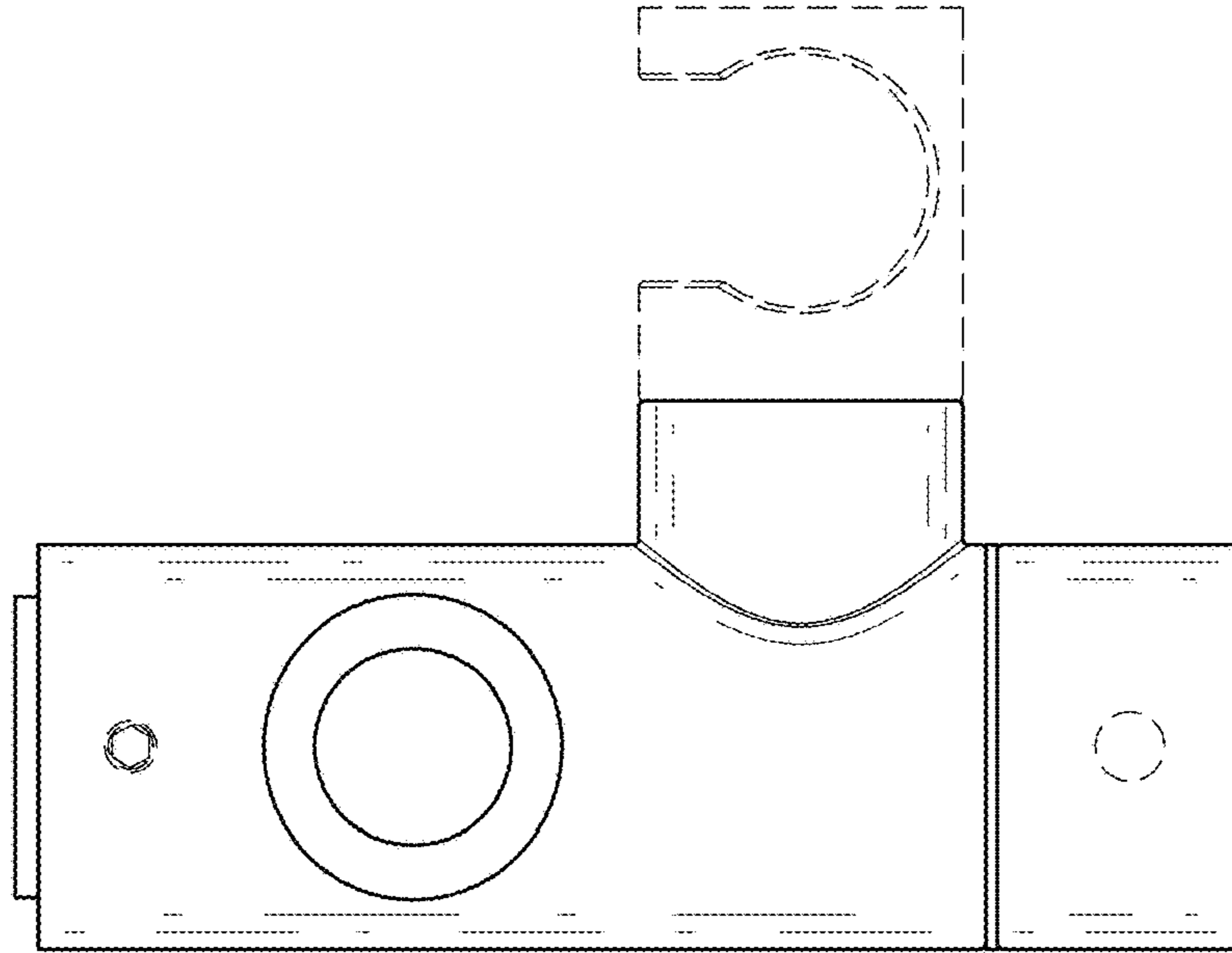


FIG. 6

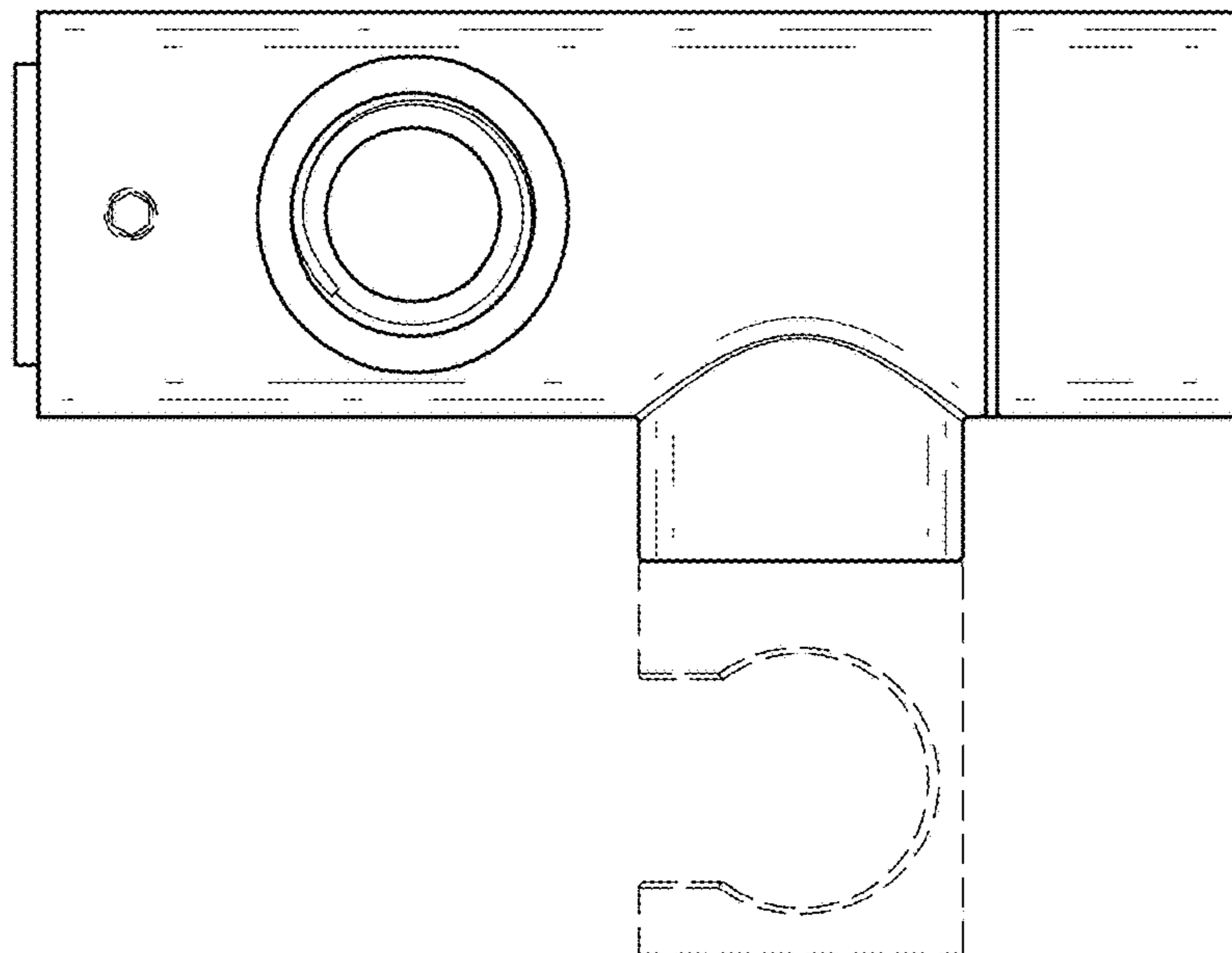


FIG. 7

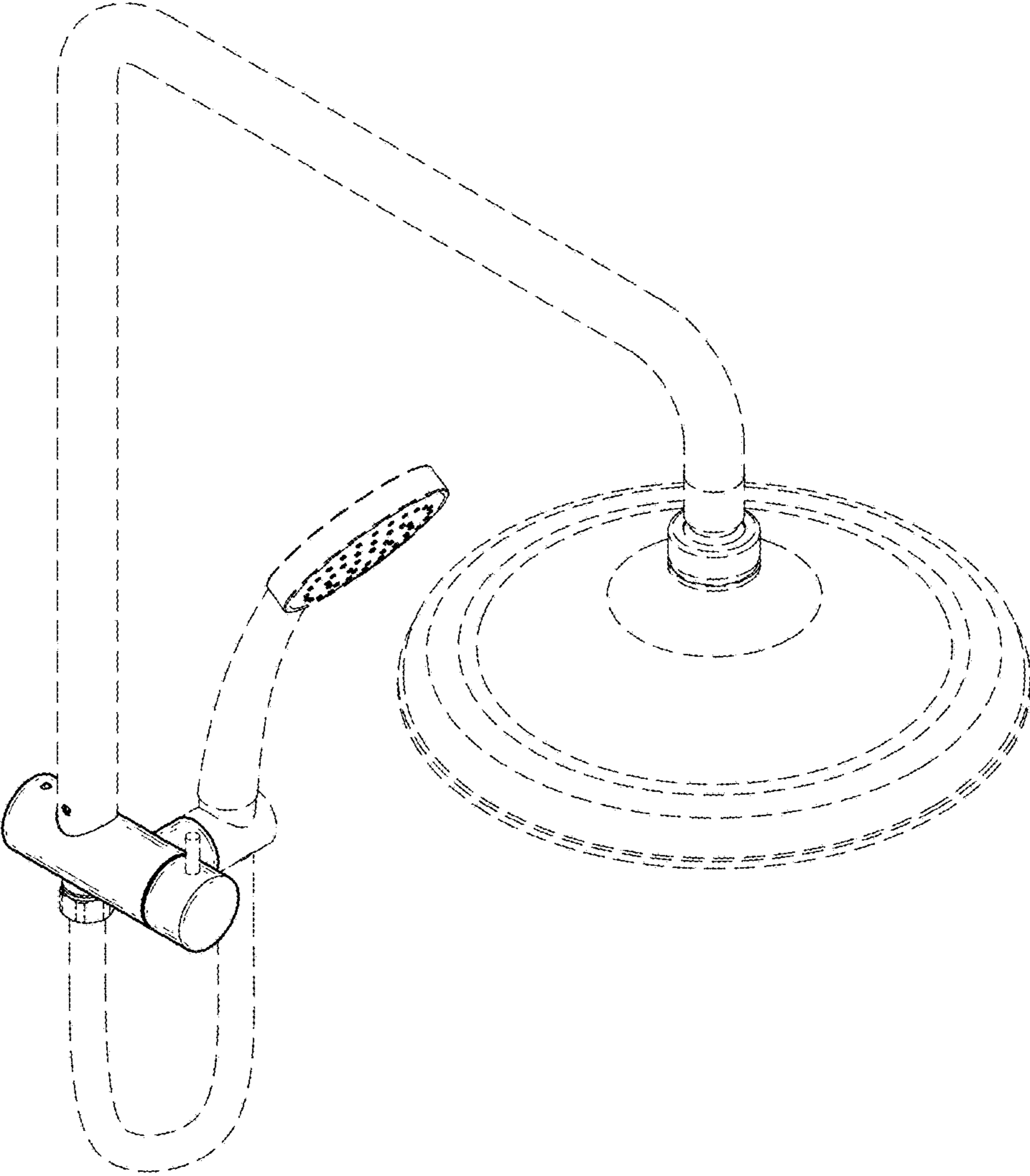


FIG. 8