

US00D841785S

(12) **United States Design Patent** (10) **Patent No.:** **US D841,785 S**
Adkison et al. (45) **Date of Patent:** **** Feb. 26, 2019**

(54) **SINK BASIN**

(71) Applicant: **Acorn Engineering Company**, City of Industry, CA (US)

(72) Inventors: **Christopher Todd Adkison**, Ontario, CA (US); **Jeffrey Scott Showalter**, Mission Viejo, CA (US)

(73) Assignee: **Acorn Engineering Company**

(**) Term: **15 Years**

(21) Appl. No.: **29/604,258**

(22) Filed: **May 16, 2017**

(51) **LOC (11) Cl.** **23-02**

(52) **U.S. Cl.**
USPC **D23/284**

(58) **Field of Classification Search**
USPC D23/284-293.1, 303, 308; D6/329, 573, D6/657, 663-666, 671, 671.1, 671.4
(Continued)

(56) **References Cited**

U.S. PATENT DOCUMENTS

D225,403 S * 12/1972 Brendgord D23/284
D244,030 S * 4/1977 Tongish D23/284
(Continued)

Primary Examiner — Celia A Murphy

(74) *Attorney, Agent, or Firm* — Eric J. Sosenko;
Jonathan P. O'Brien; Honigman LLP

(57) **CLAIM**

The ornamental design for a sink basin, as shown and described.

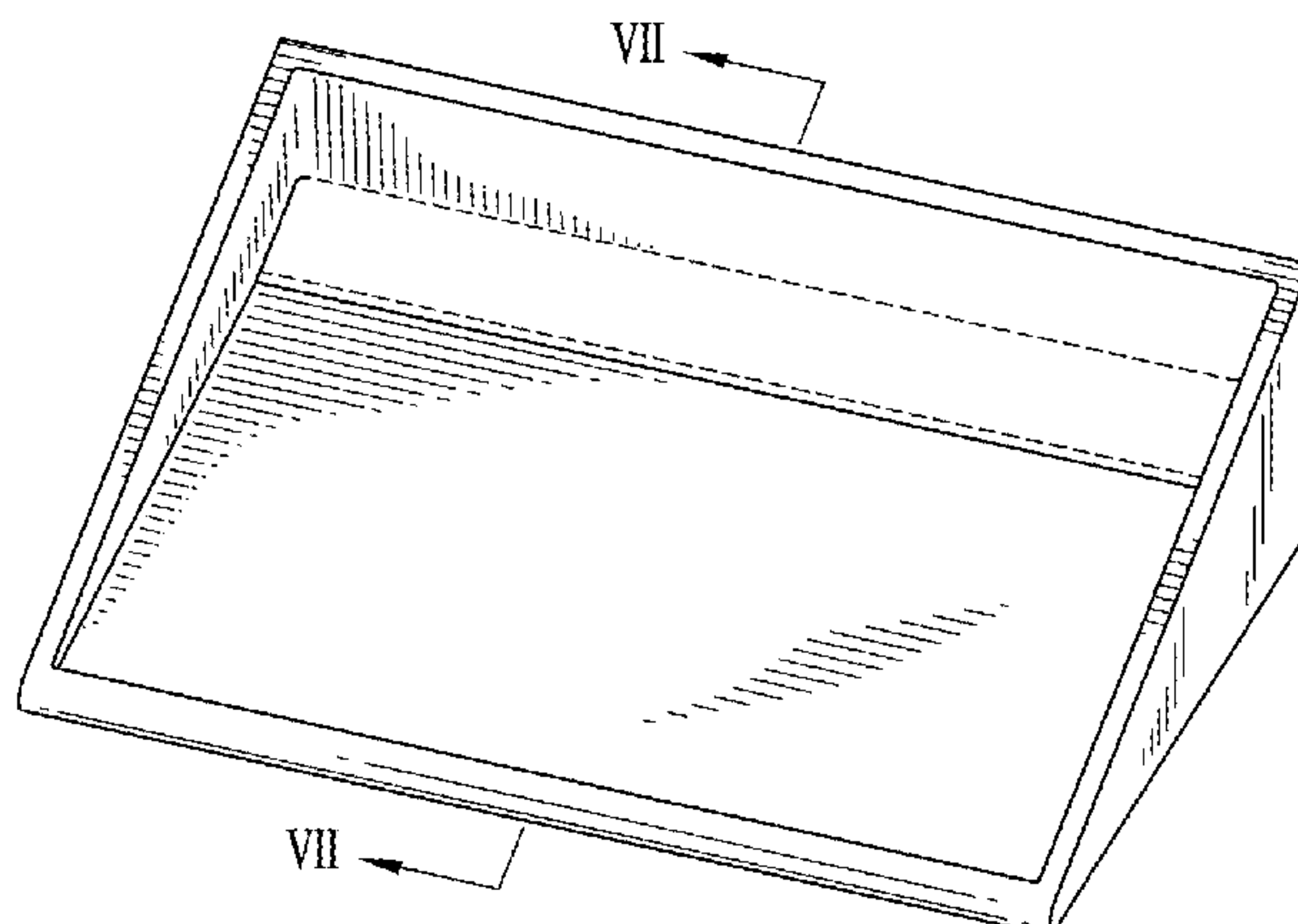
DESCRIPTION

FIG. 1 is a top-quartering perspective view of a sink basin incorporating the principles of the present invention;
FIG. 2 is a front view of the sink basin seen in FIG. 1;

FIG. 3 is a rear view of the sink basin seen in FIG. 1;
FIG. 4 is a right side view of the sink basin seen in FIG. 1, the left side view being a mirror image thereof;
FIG. 5 is a top plan view of the sink basin seen in FIG. 1;
FIG. 6 is a bottom plan view of the sink basin seen in FIG. 1;
FIG. 7 is a sectional view, generally taken along line VII-VII, of the sink basin seen in FIG. 1;
FIG. 8 is a top-quartering perspective view of another embodiment of sink basin incorporating the principles of the present invention;
FIG. 9 is a front view of the sink basin seen in FIG. 8;
FIG. 10 is a rear view of the sink basin seen in FIG. 8;
FIG. 11 is a right side view of the sink basin seen in FIG. 8, the left side view being a mirror image thereof;
FIG. 12 is a top plan view of the sink basin seen in FIG. 8;
FIG. 13 is a bottom plan view of the sink basin seen in FIG. 8;
FIG. 14 is a sectional view, generally taken along line XIV-XIV, of the sink basin seen in FIG. 8;
FIG. 15 is a top-quartering perspective view of a another embodiment of a sink basin incorporating the principles of the present invention;
FIG. 16 is a front view of the sink basin seen in FIG. 15;
FIG. 17 is a rear view of the sink basin seen in FIG. 15;
FIG. 18 is a right side view of the sink basin seen in FIG. 15, the left side view being a mirror image thereof;
FIG. 19 is a top plan view of the sink basin seen in FIG. 15;
FIG. 20 is a bottom plan view of the sink basin seen in FIG. 15;
FIG. 21 is a top-quartering perspective view of another embodiment of sink basin incorporating the principles of the present invention;
FIG. 22 is a front view of the sink basin seen in FIG. 21;
FIG. 23 is a rear view of the sink basin seen in FIG. 21;
FIG. 24 is a right side view of the sink basin seen in FIG. 21, the left side view being a mirror image thereof;
FIG. 25 is a top plan view of the sink basin seen in FIG. 21; and,
FIG. 26 is a bottom plan view of the sink basin seen in FIG. 21.

In FIGS. 15-26, the sink basin is shown with a symbolic break in its length. The appearance of any portion of the article between the break lines forms no part of the claimed

(Continued)



design. In the drawings, the broken lines depict environmental subject matter only and form not part of the claimed design.

Shade lines having a combination of long and short lines in the figures show contour and not surface ornamentation.

1 Claim, 12 Drawing Sheets

(58) **Field of Classification Search**

CPC A47K 1/04; A47J 47/20; A47B 77/06

See application file for complete search history.

(56) **References Cited**

U.S. PATENT DOCUMENTS

D321,931	S	*	11/1991	Dierkes	D23/293.1
D340,280	S	*	10/1993	Junca	D23/284
D468,815	S	*	1/2003	Kahle	D23/284
D474,835	S	*	5/2003	Kahle	D23/284
D545,414	S	*	6/2007	Maruhashi	D23/293.1
D545,416	S	*	6/2007	Maruhashi	D23/293.1
D625,792	S	*	10/2010	Rundberg	D23/308
D629,877	S	*	12/2010	Rundberg	D23/308
D677,769	S	*	3/2013	Yoshioka	D23/293.1

* cited by examiner

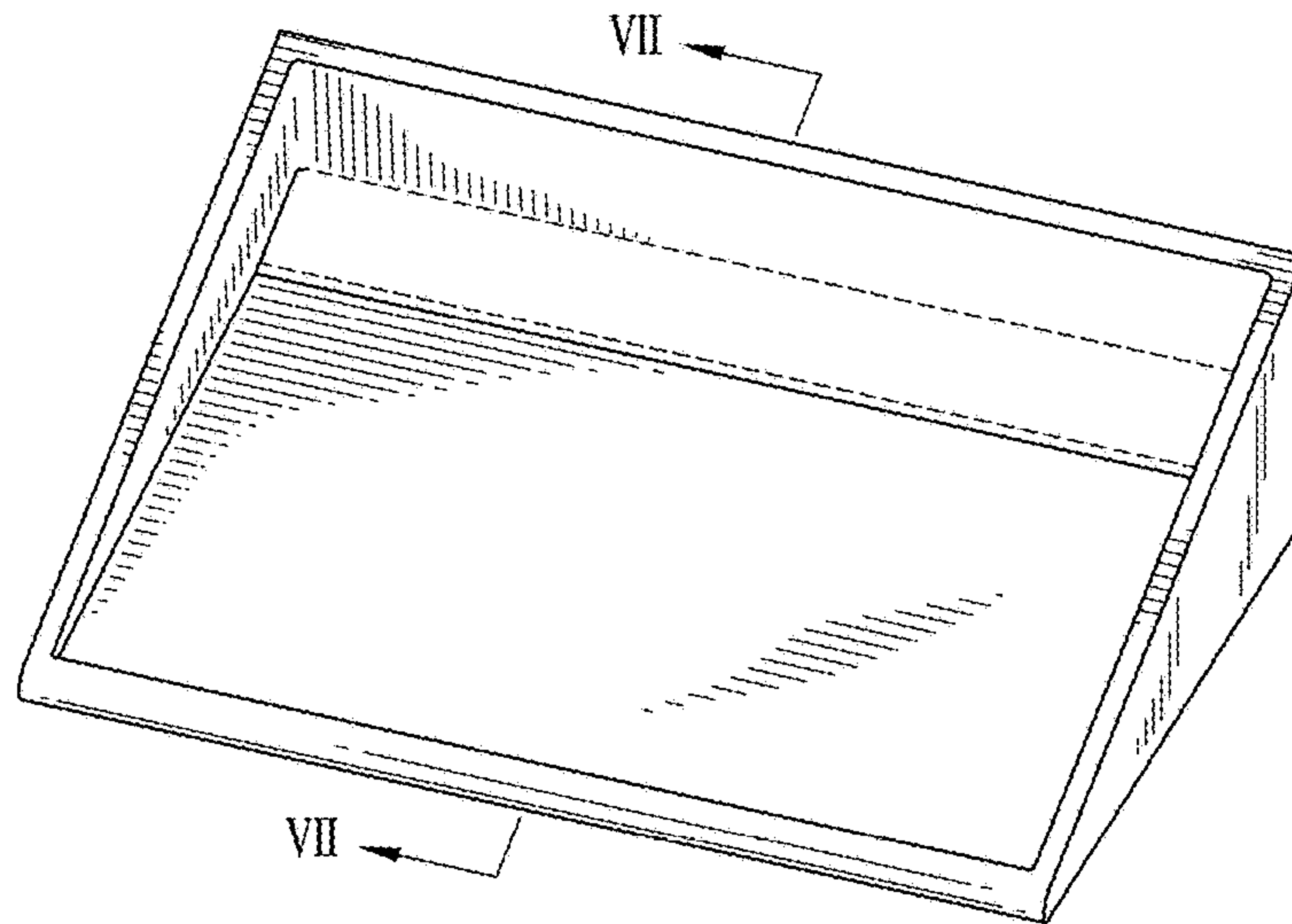


FIG. 1



FIG. 2

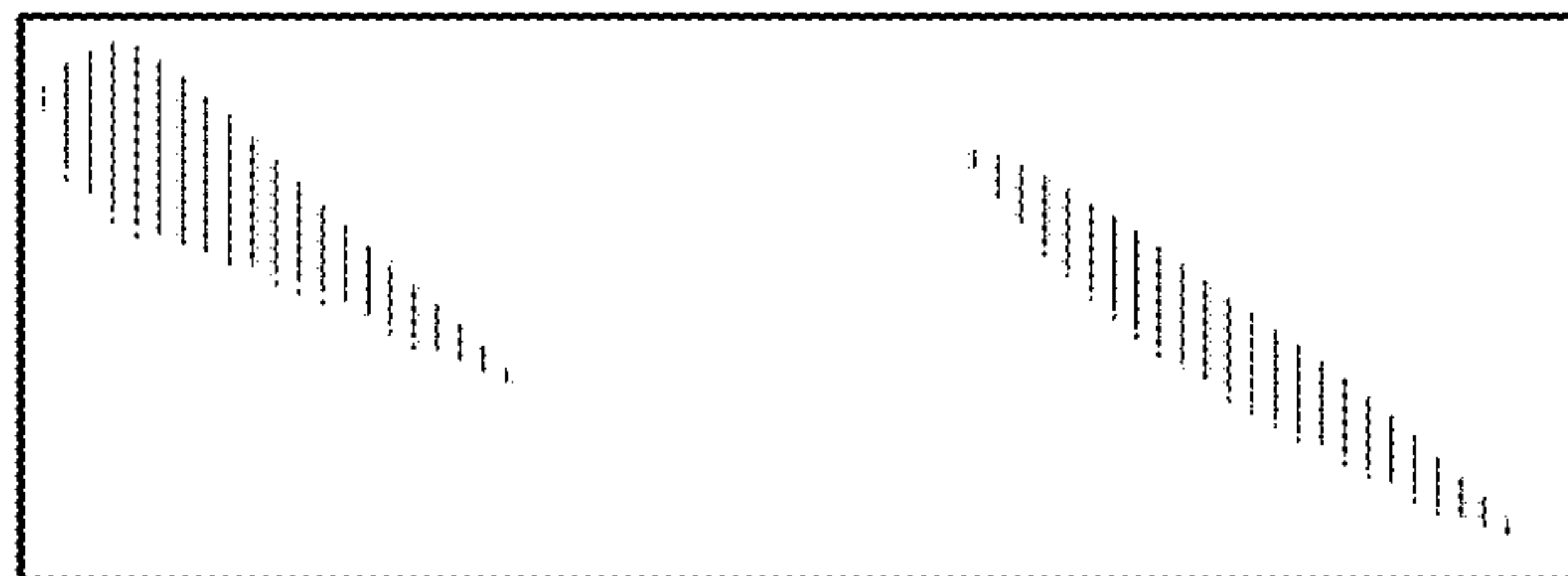


FIG. 3

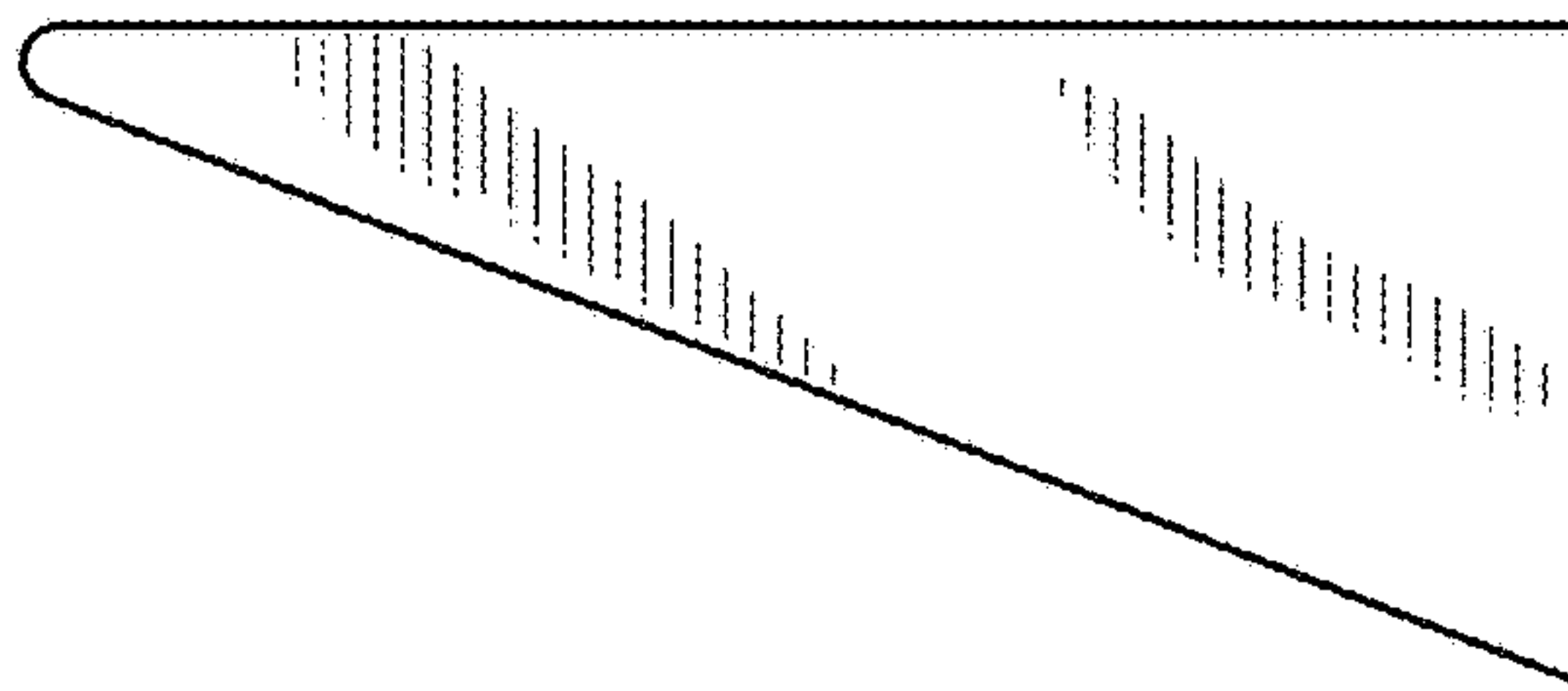


FIG. 4

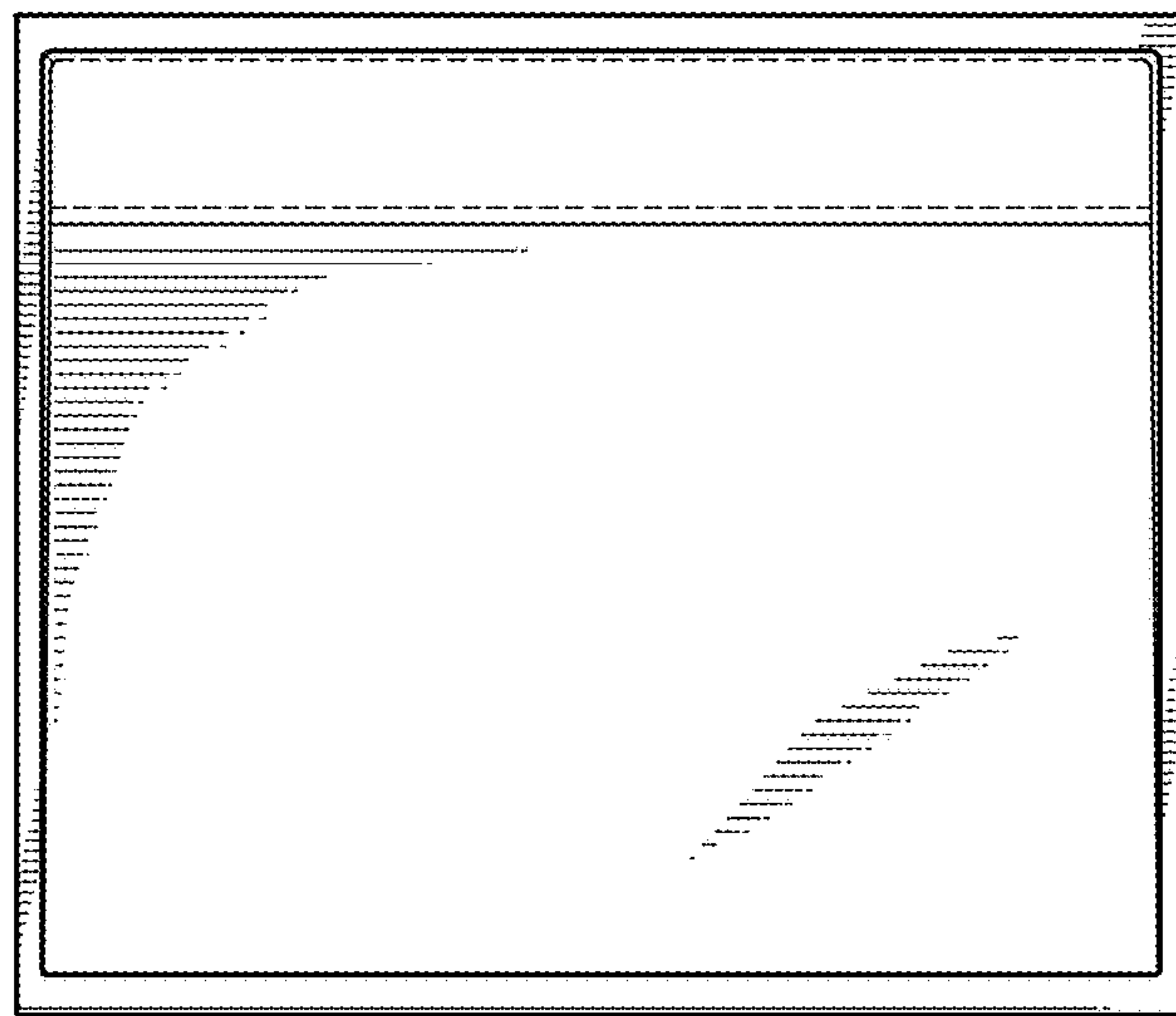


FIG. 5

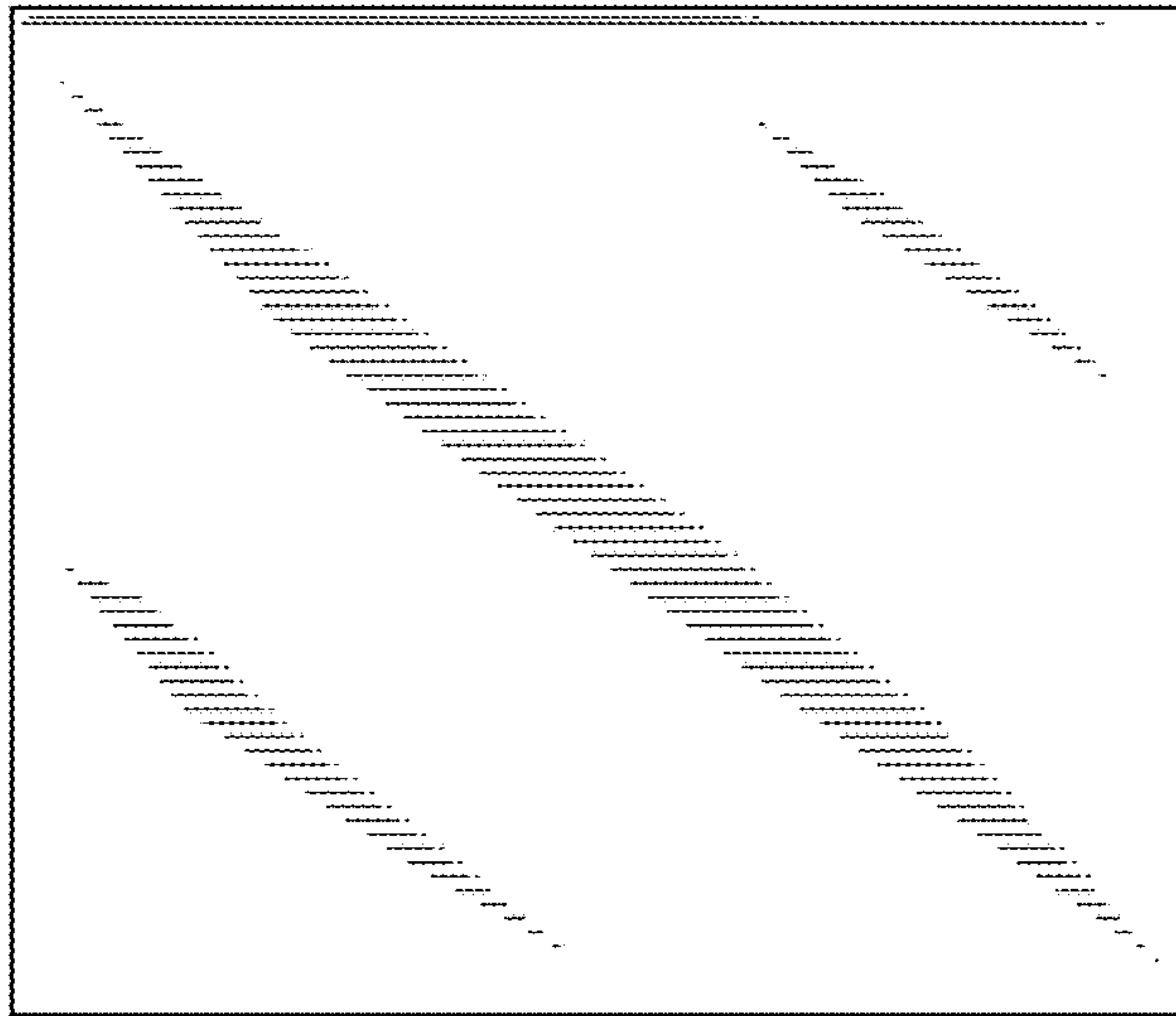


FIG. 6

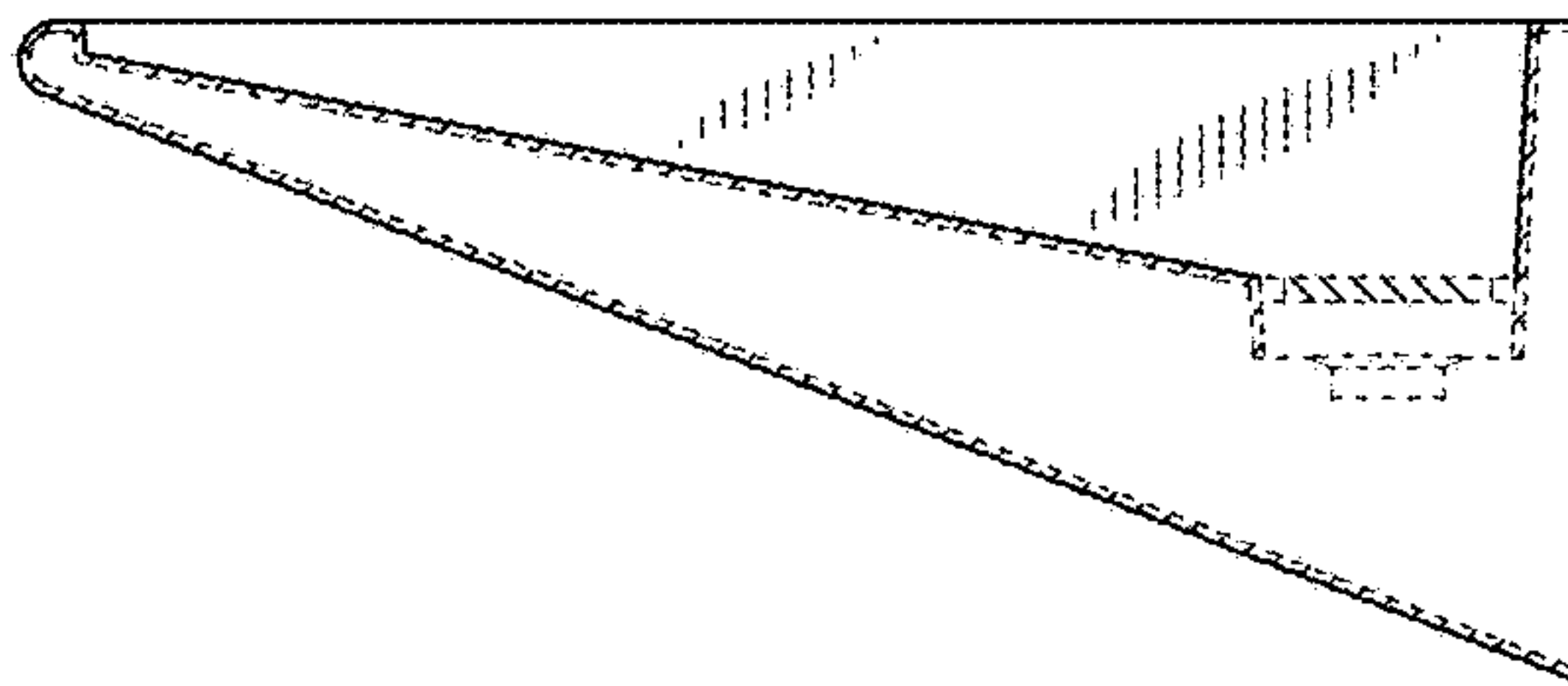


FIG. 7

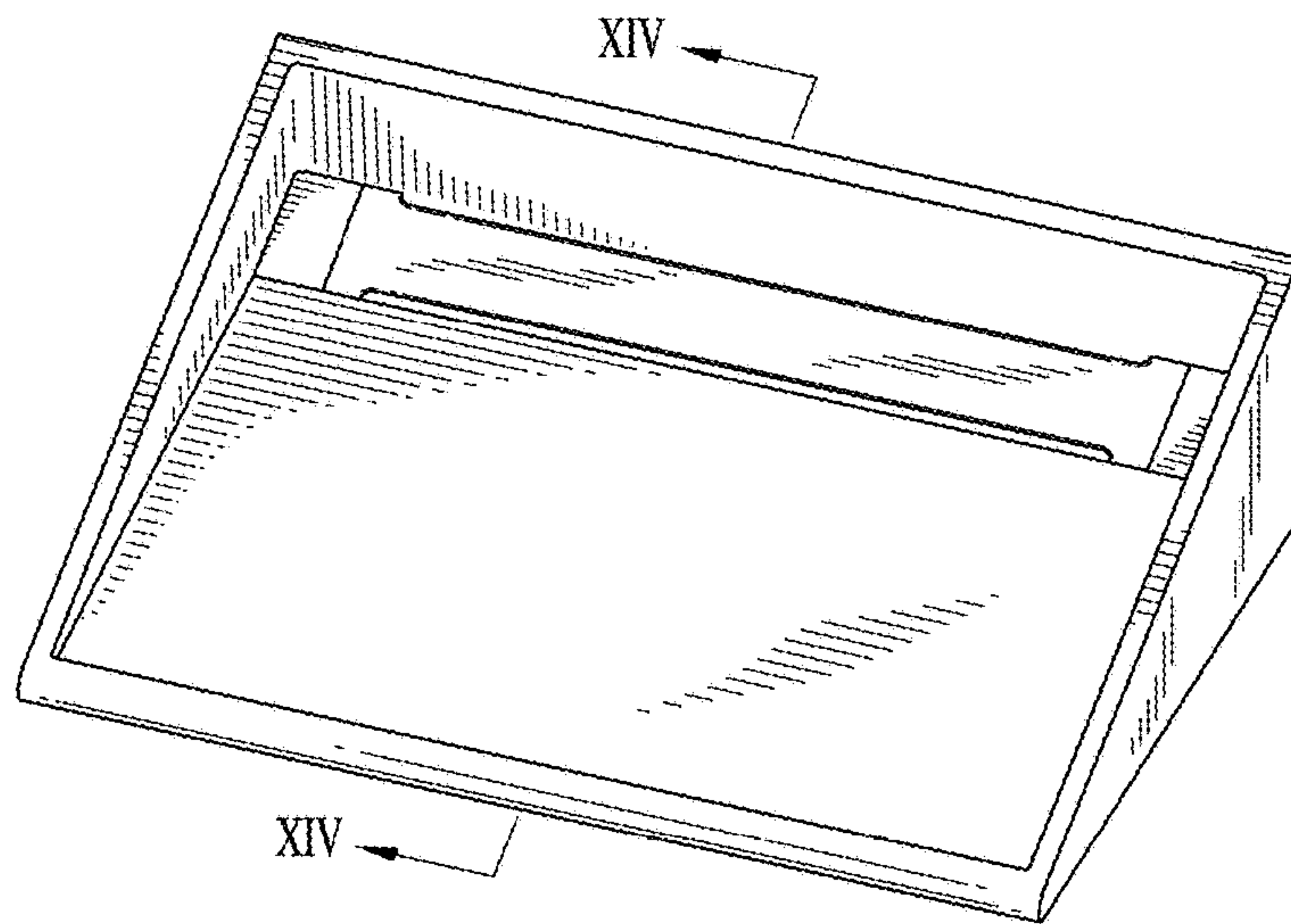


FIG. 8

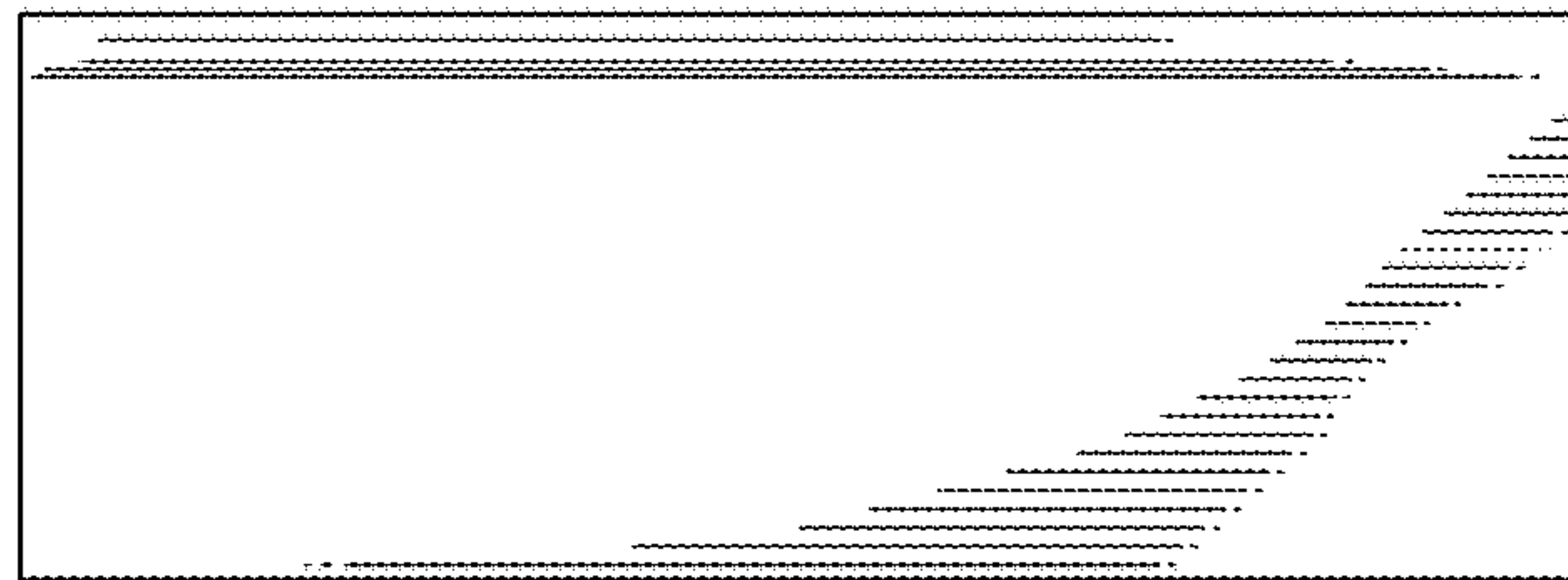


FIG. 9

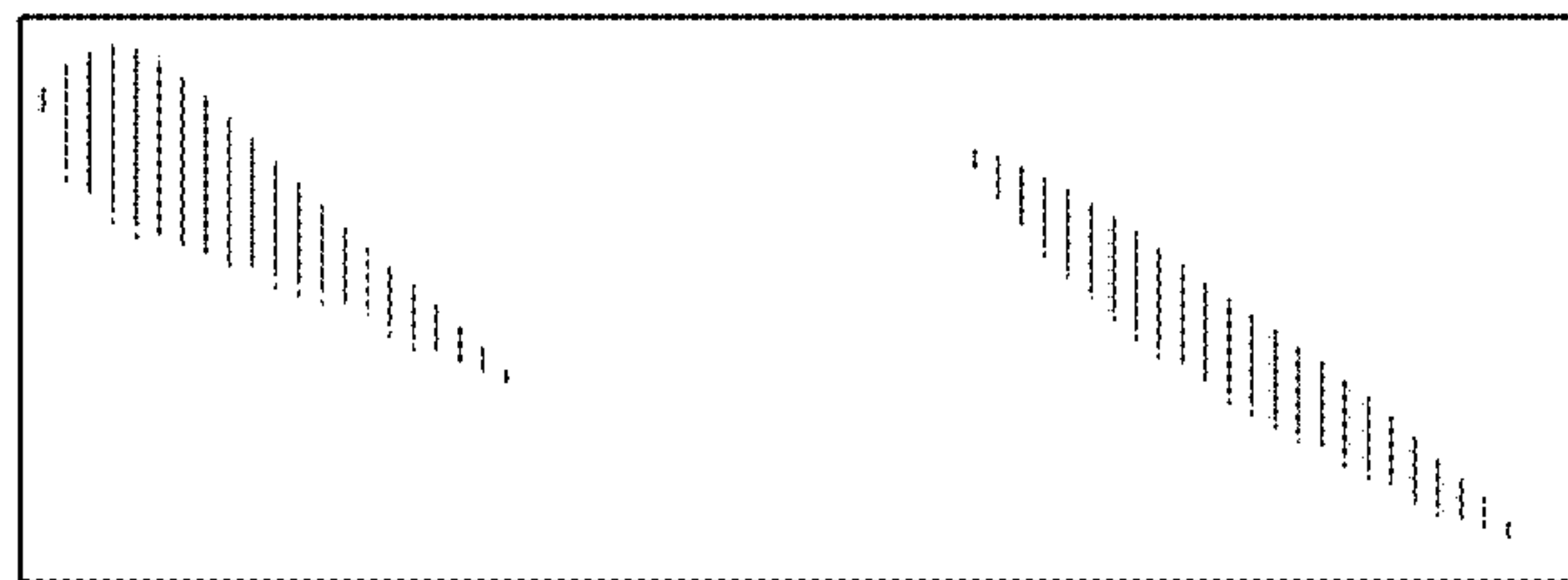


FIG. 10

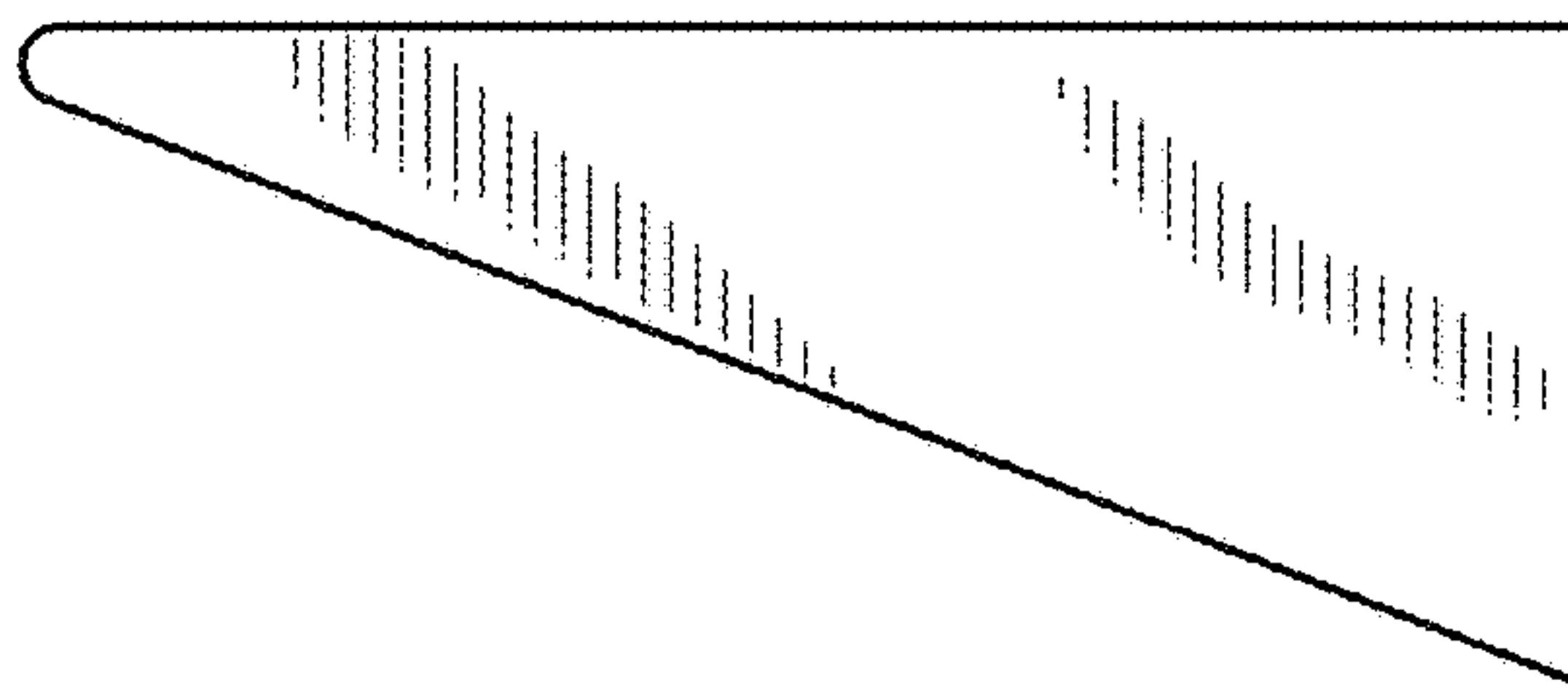


FIG. 11

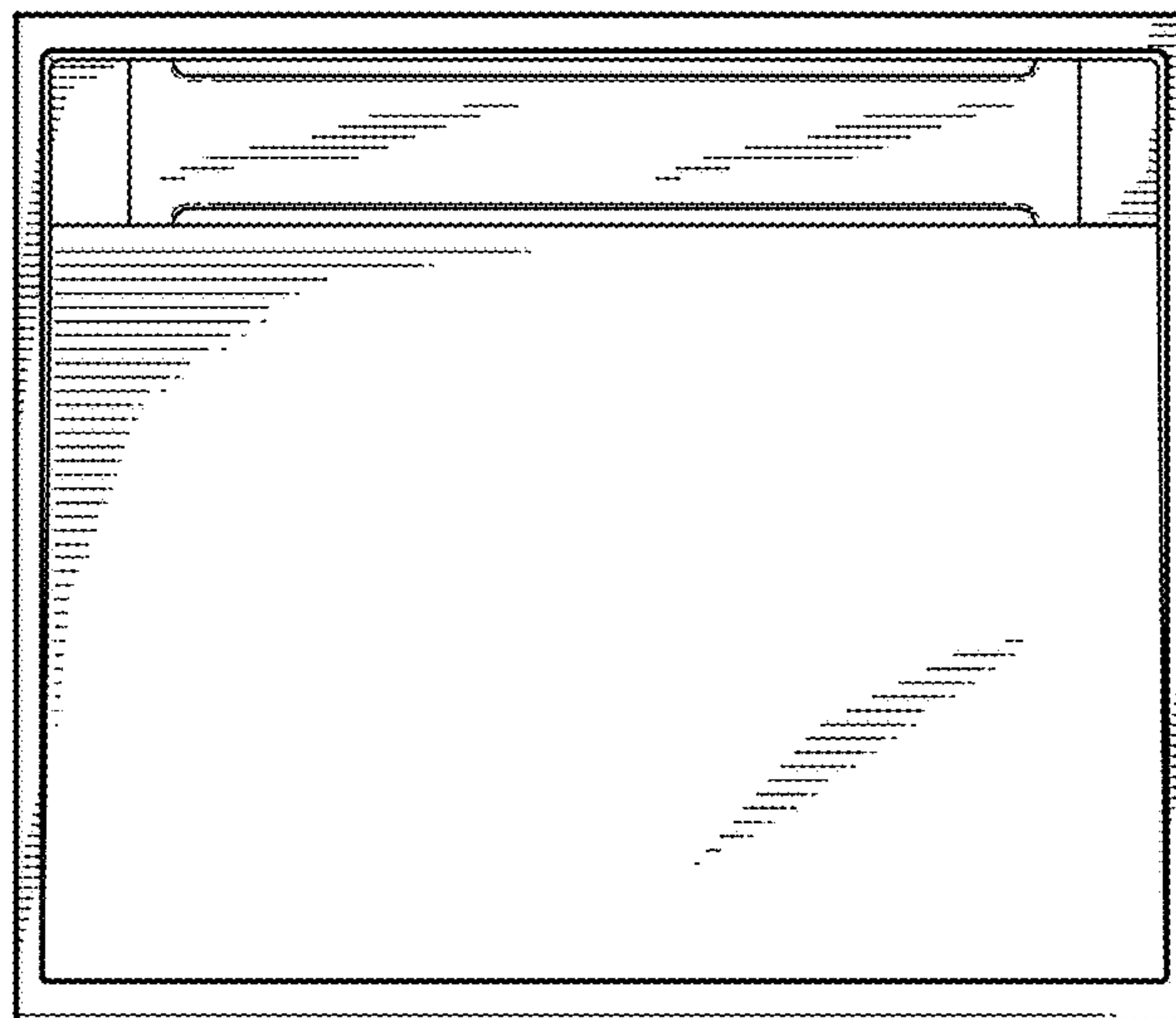


FIG. 12

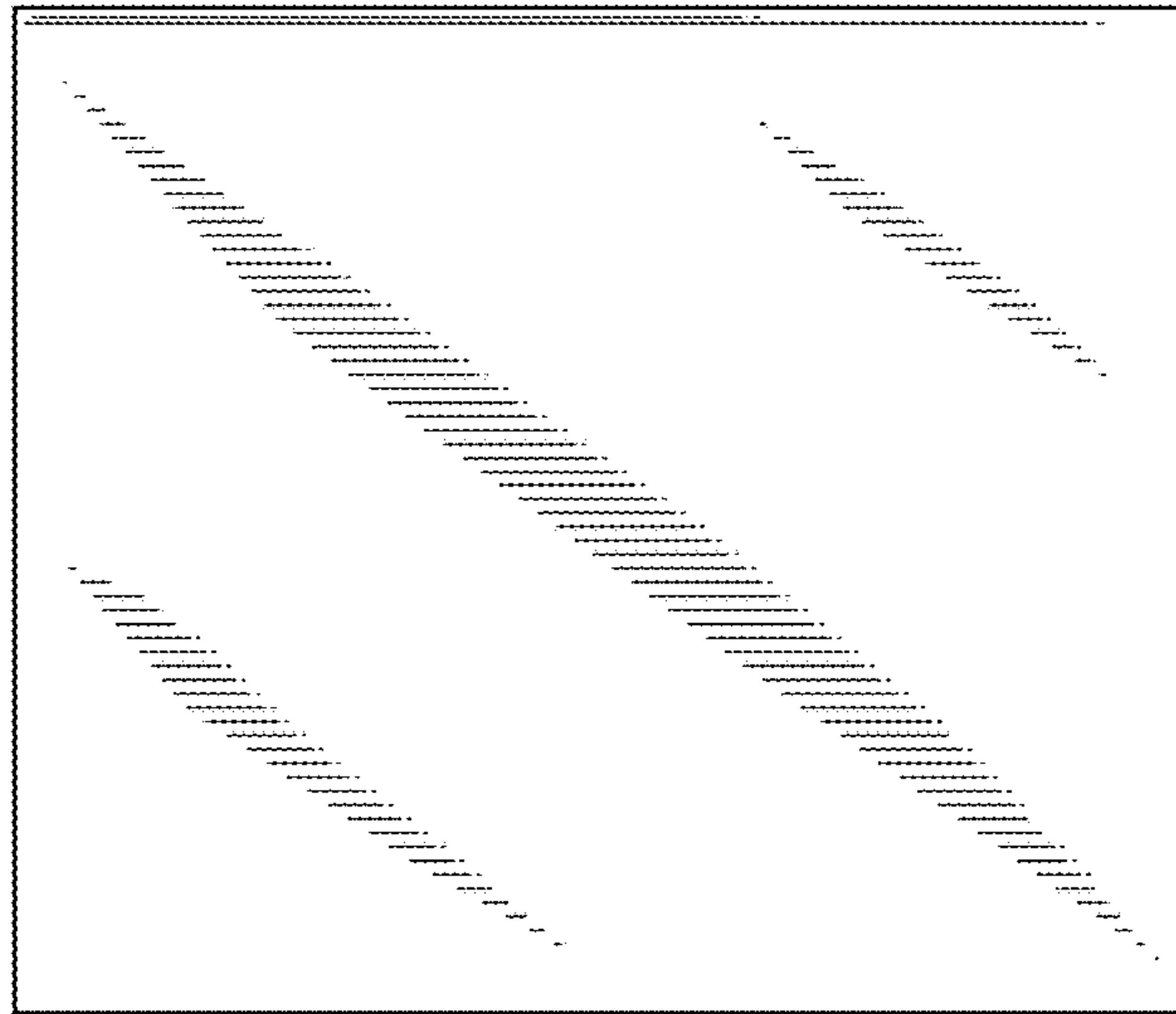


FIG. 13

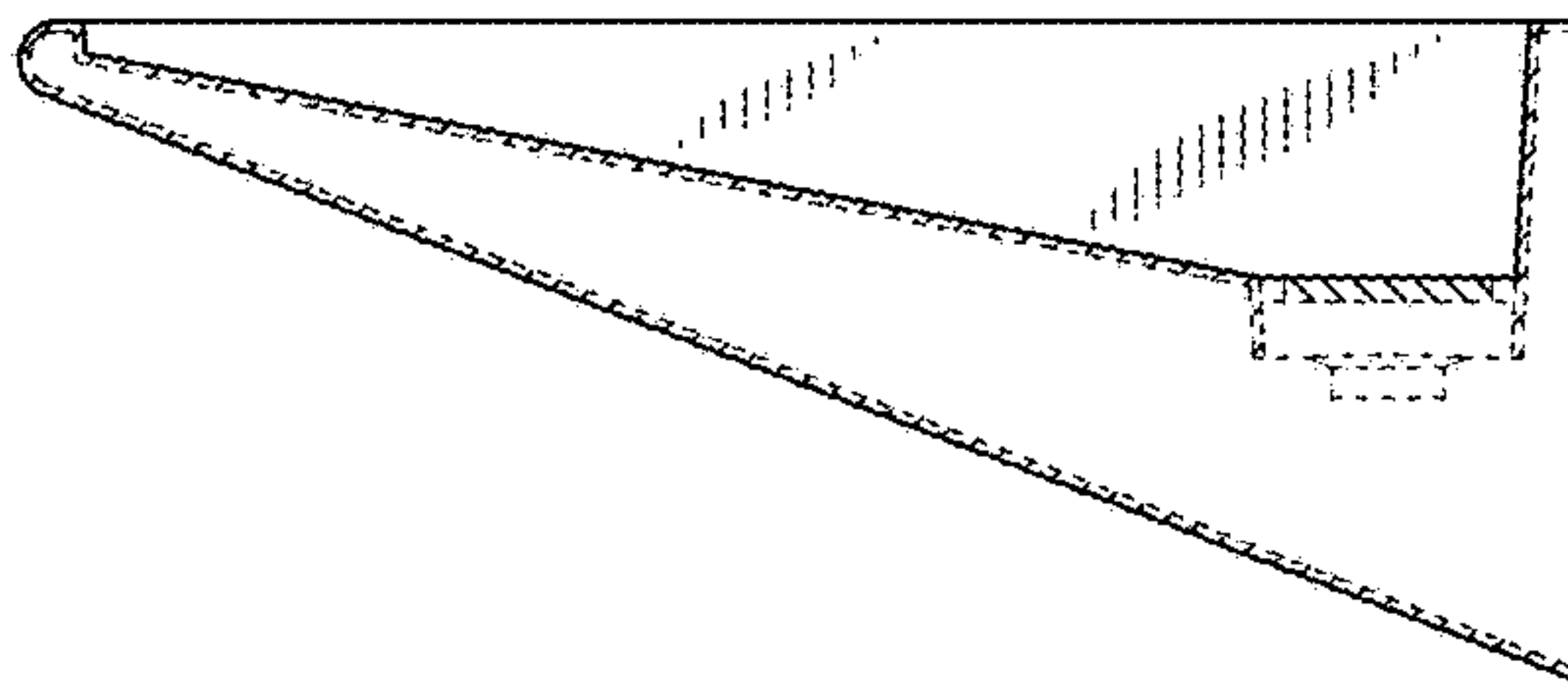


FIG. 14

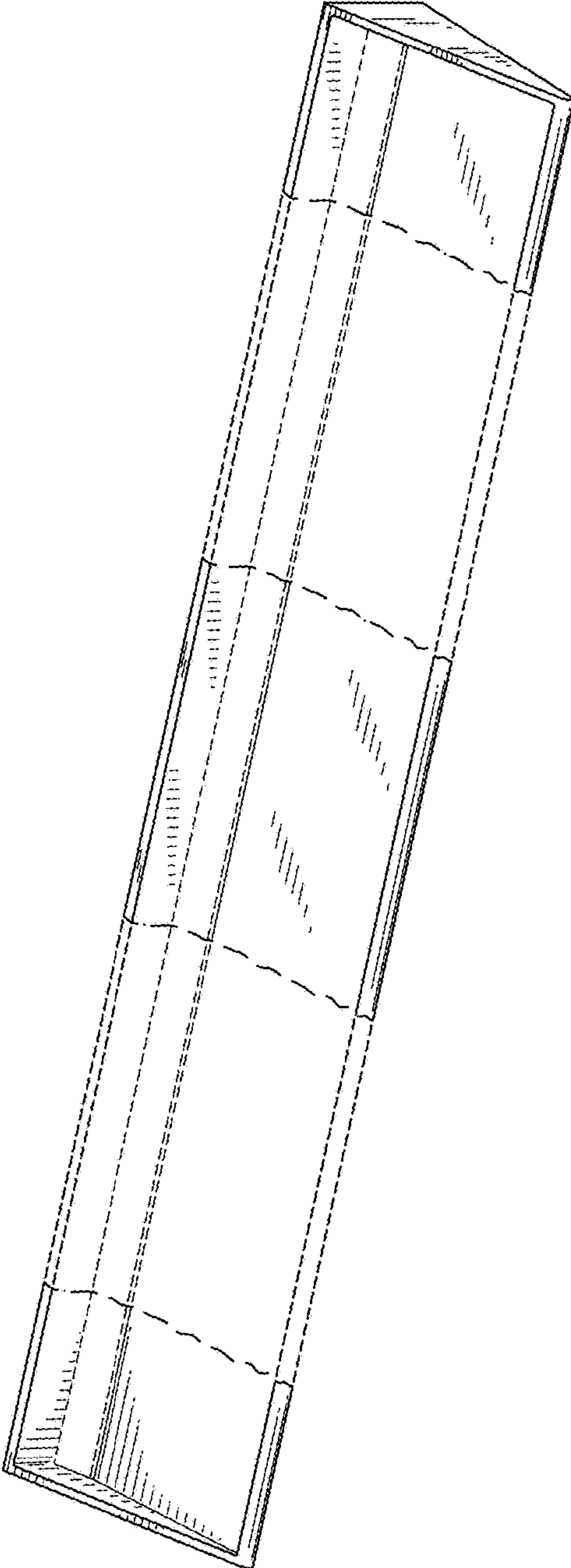


FIG. 15

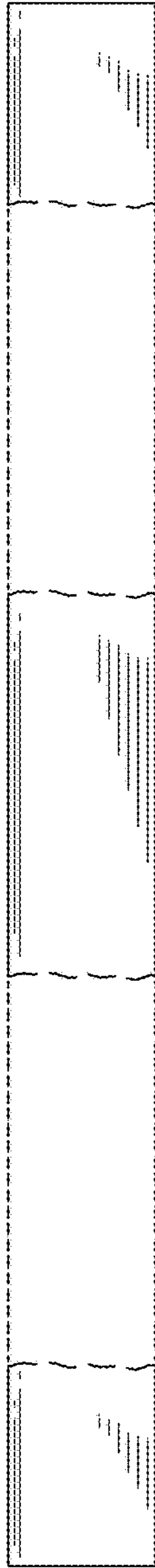


FIG. 16

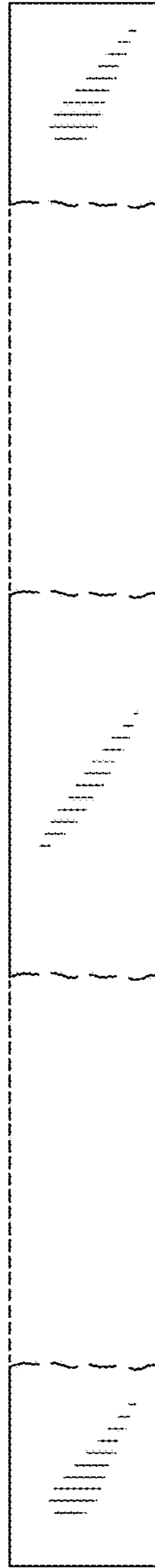


FIG. 17

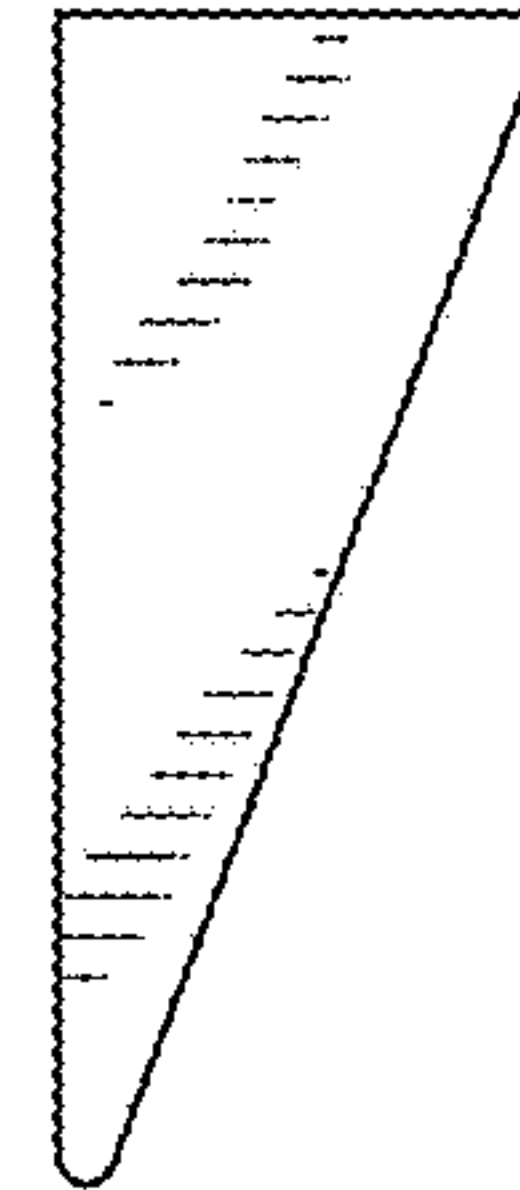


FIG. 18

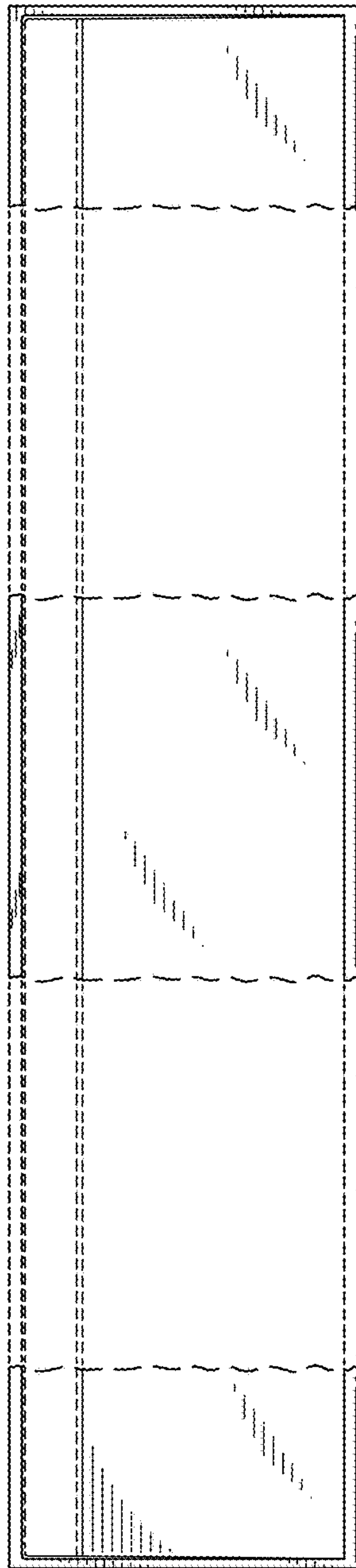


FIG. 19

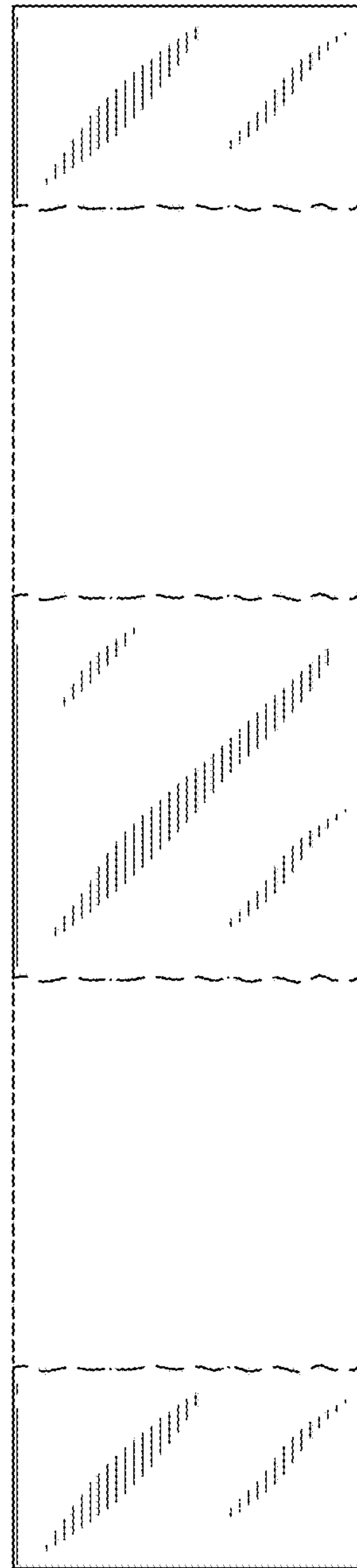


FIG. 20

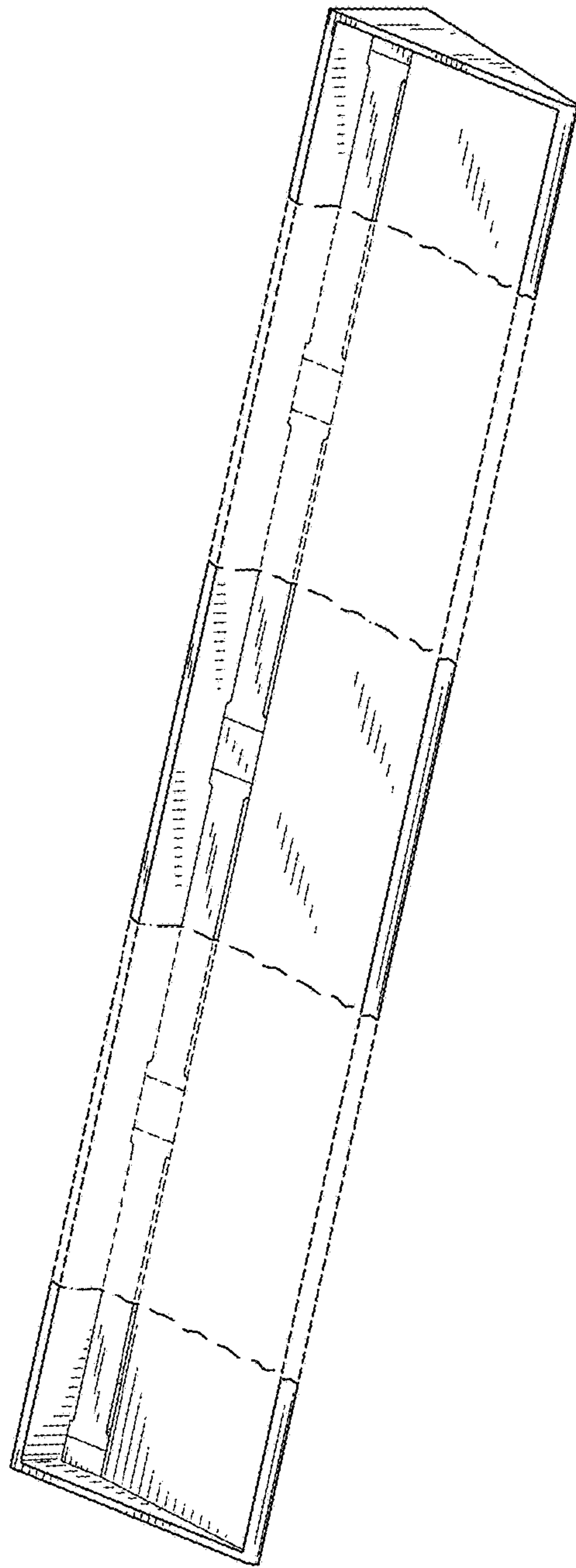


FIG. 21

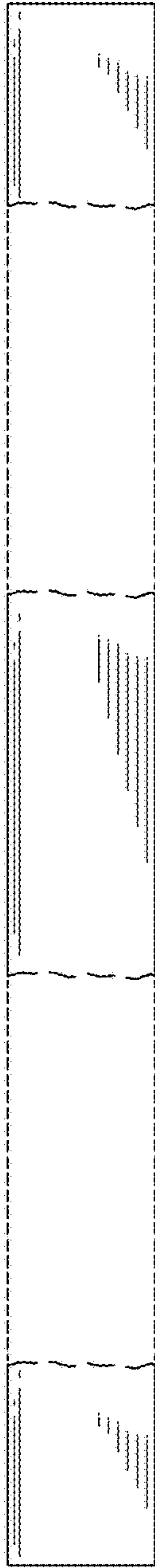


FIG. 22



FIG. 23

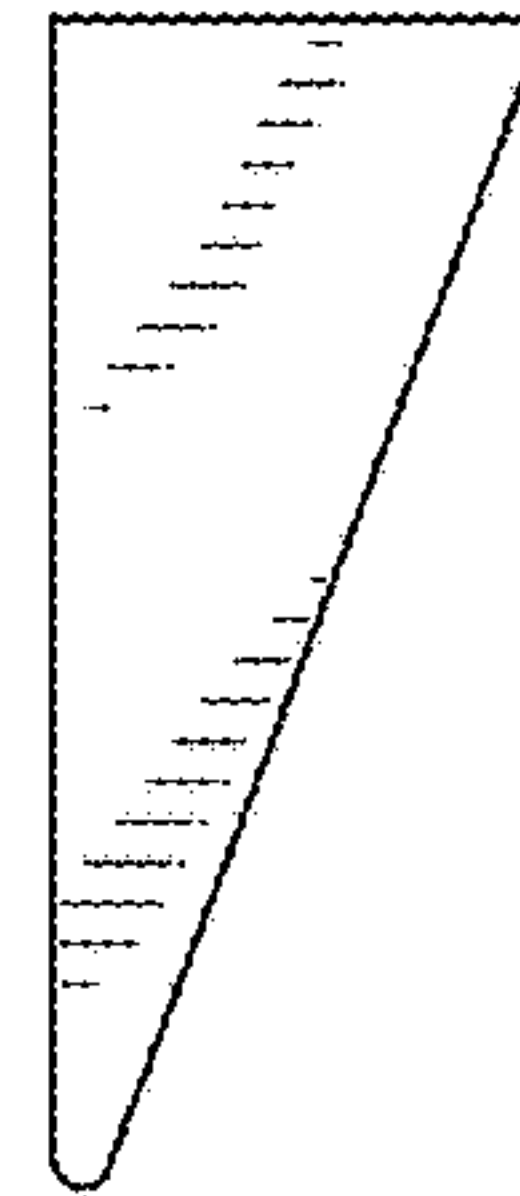


FIG. 24

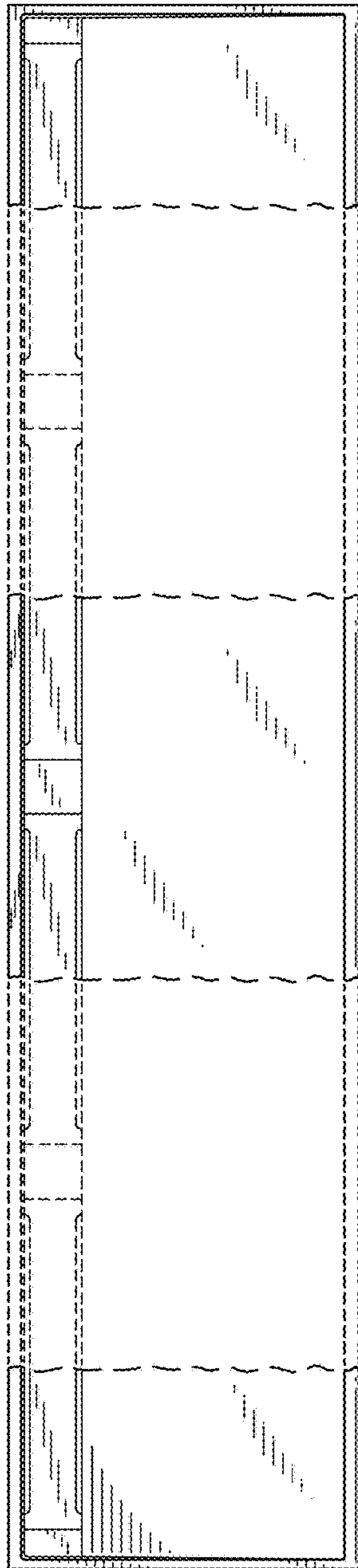


FIG. 25

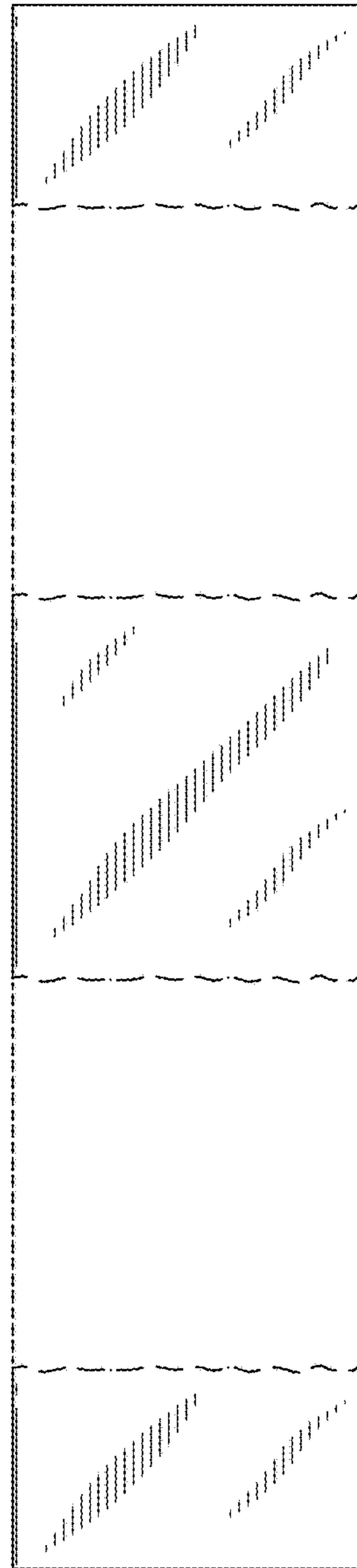


FIG. 26