



US00D841784S

(12) **United States Design Patent** (10) **Patent No.:** **US D841,784 S**  
**Sharratt et al.** (45) **Date of Patent:** **\*\* Feb. 26, 2019**

(54) **TOILET SEAL**  
(71) Applicant: **Waxman Consumer Products Group Inc./Mark Wester, Treasurer and Secretary**, Bedford Heights, OH (US)  
(72) Inventors: **Jason A. Sharratt**, Wadsworth, OH (US); **Tianzhe Wang**, Shaker Heights, OH (US)  
(73) Assignee: **Waxman Consumer Products Group Inc.**, Bedford Heights, OH (US)  
(\*\*) Term: **15 Years**  
(21) Appl. No.: **29/549,541**  
(22) Filed: **Dec. 22, 2015**  
(51) **LOC (11) Cl.** ..... **23-01**  
(52) **U.S. Cl.**  
USPC ..... **D23/269**  
(58) **Field of Classification Search**  
USPC ..... D23/269, 249, 259, 260, 262, 265, 303, D23/309; 277/351-354, 372, 603, 277/606-609; 285/95, 109, 133.21  
CPC ..... E03D 11/16; E03D 11/00; E04D 13/14; F16L 5/02; F16L 5/08; F16L 5/10  
See application file for complete search history.

D730,498 S \* 5/2015 Gonzalez ..... D23/269  
9,265,390 B2 \* 2/2016 Dillard ..... A47K 17/02  
D774,630 S \* 12/2016 Mehari ..... D23/269  
9,534,367 B2 \* 1/2017 Coronado ..... E03D 11/16  
D792,563 S \* 7/2017 Coronado ..... D23/269  
D796,014 S \* 8/2017 Haynes ..... D23/269  
9,783,976 B2 \* 10/2017 Coronado ..... E03D 11/16

**OTHER PUBLICATIONS**

Danco Perfect Seal Advertisement; the product shown in the advertisement was on sale more than one year prior to the filing date, namely Dec. 21, 2014 (2 pages).

(Continued)

*Primary Examiner* — David G Muller

(74) *Attorney, Agent, or Firm* — John A. Yirga, Esq.; Tarolli, Sundheim, Covell & Tummino LLP

(57) **CLAIM**

The ornamental design for a toilet seal, as shown and described.

**DESCRIPTION**

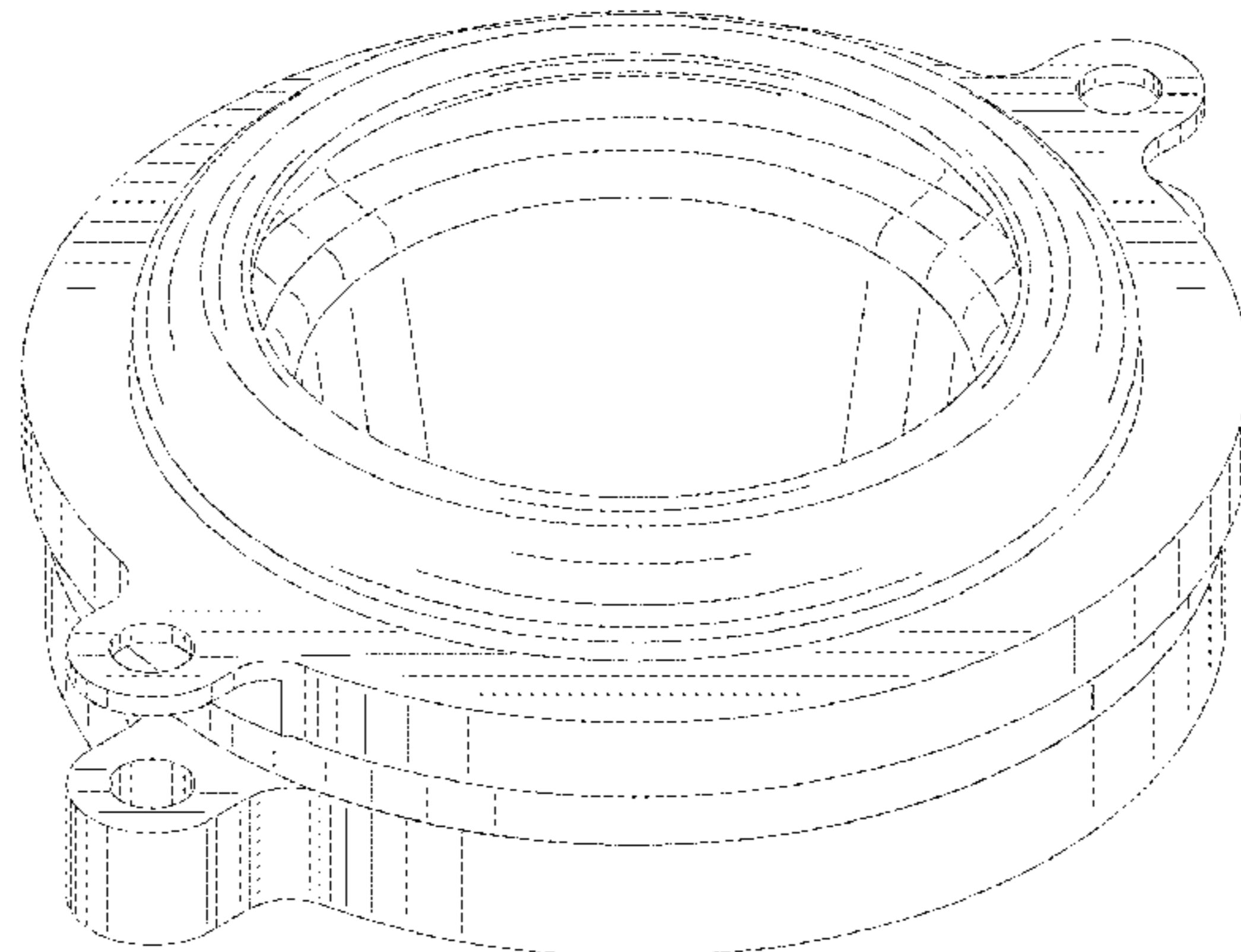
FIG. 1 is a top perspective view of a toilet seal, illustrated in accordance with our ornamental design;  
FIG. 2 is a bottom perspective view thereof;  
FIG. 3 is a top plan view thereof;  
FIG. 4 is a bottom plan view thereof;  
FIG. 5 is a left side elevation view thereof;  
FIG. 6 is a right side elevation view thereof;  
FIG. 7 is a front elevation view thereof;  
FIG. 8 is a rear elevation view thereof;  
FIG. 9 is an exploded top perspective assembly view of the toilet seal of FIG. 1;  
FIG. 10 is an elevated section of the top plan view of FIG. 3 along section lines 10-10; and,  
FIG. 11 is an elevated section view of the top plan view of FIG. 3 along section lines 11-11.

**1 Claim, 10 Drawing Sheets**

(56) **References Cited**

**U.S. PATENT DOCUMENTS**

2,529,587 A \* 11/1950 Bates ..... E03D 9/00  
4/253  
4,940,113 A \* 7/1990 L'Heureux ..... E03D 11/16  
181/207  
5,967,567 A \* 10/1999 Nordstrom ..... F16L 5/08  
285/139.1  
6,694,537 B2 \* 2/2004 Telles ..... E03D 11/16  
4/252.1  
D728,758 S \* 5/2015 Coronado ..... D23/269  
D728,759 S \* 5/2015 Gonzalez ..... D23/269



(56)

**References Cited**

OTHER PUBLICATIONS

Fluidmaster Universal Better Than Wax Toilet Seal Advertisements and photographs that were on sale more than one year prior the filing date, namely Dec. 21, 2014 (7 pages).

Korky Universal Wax Free Seal Kit Advertisements and photographs that were on sale more than one year prior to the filing date, namely Dec. 21, 2014 (6 pages).

\* cited by examiner

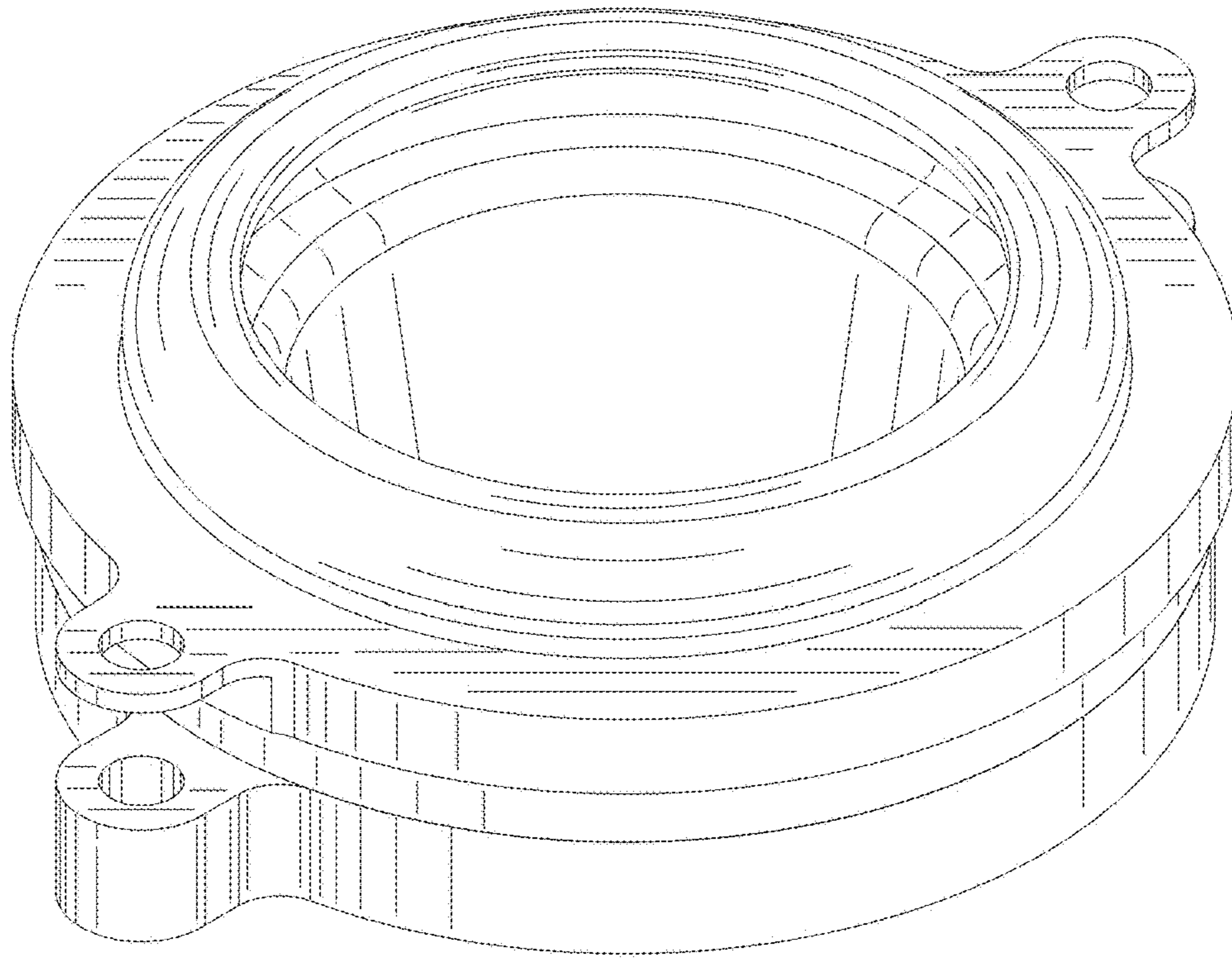


FIG. 1

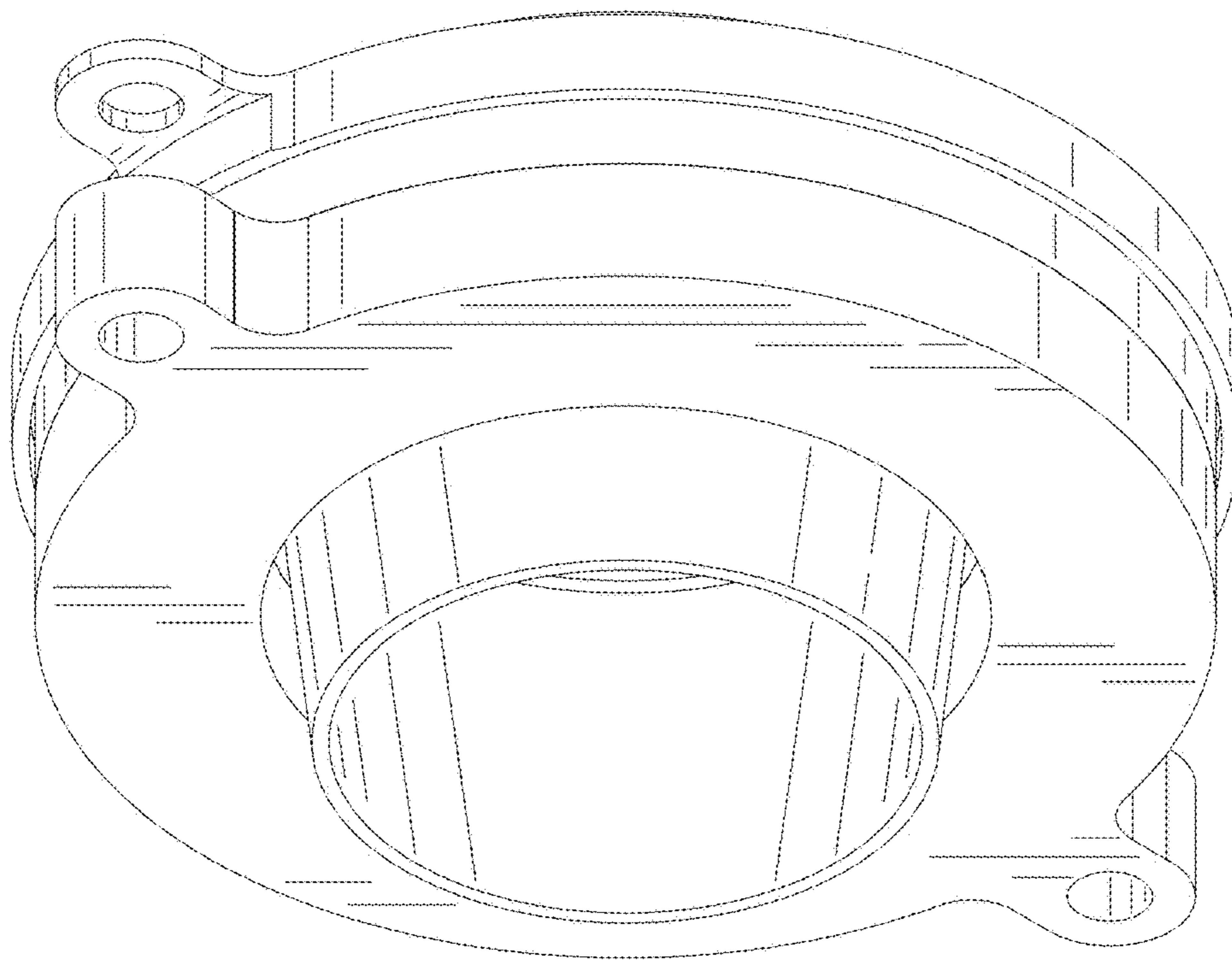


FIG. 2

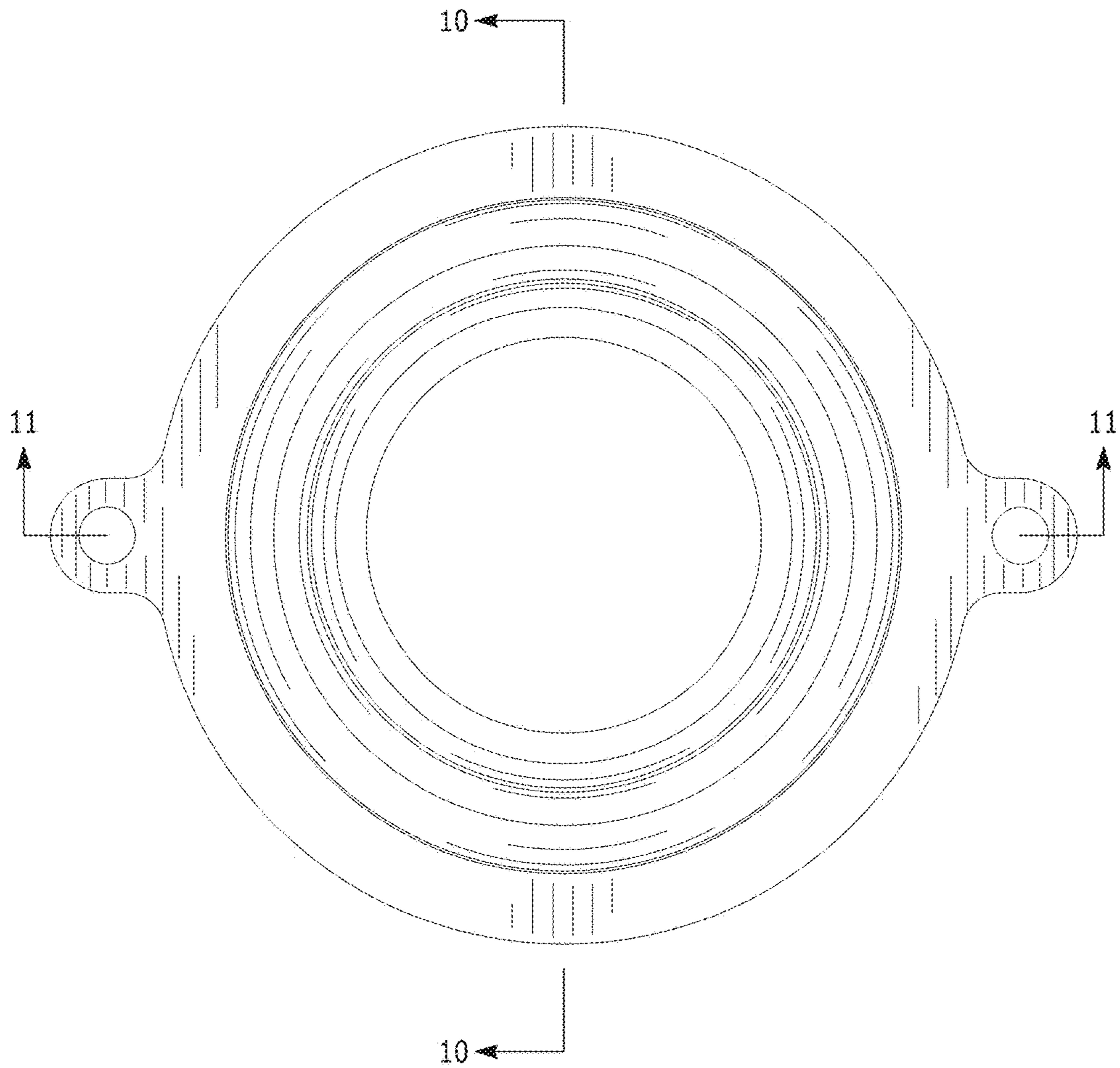


FIG. 3

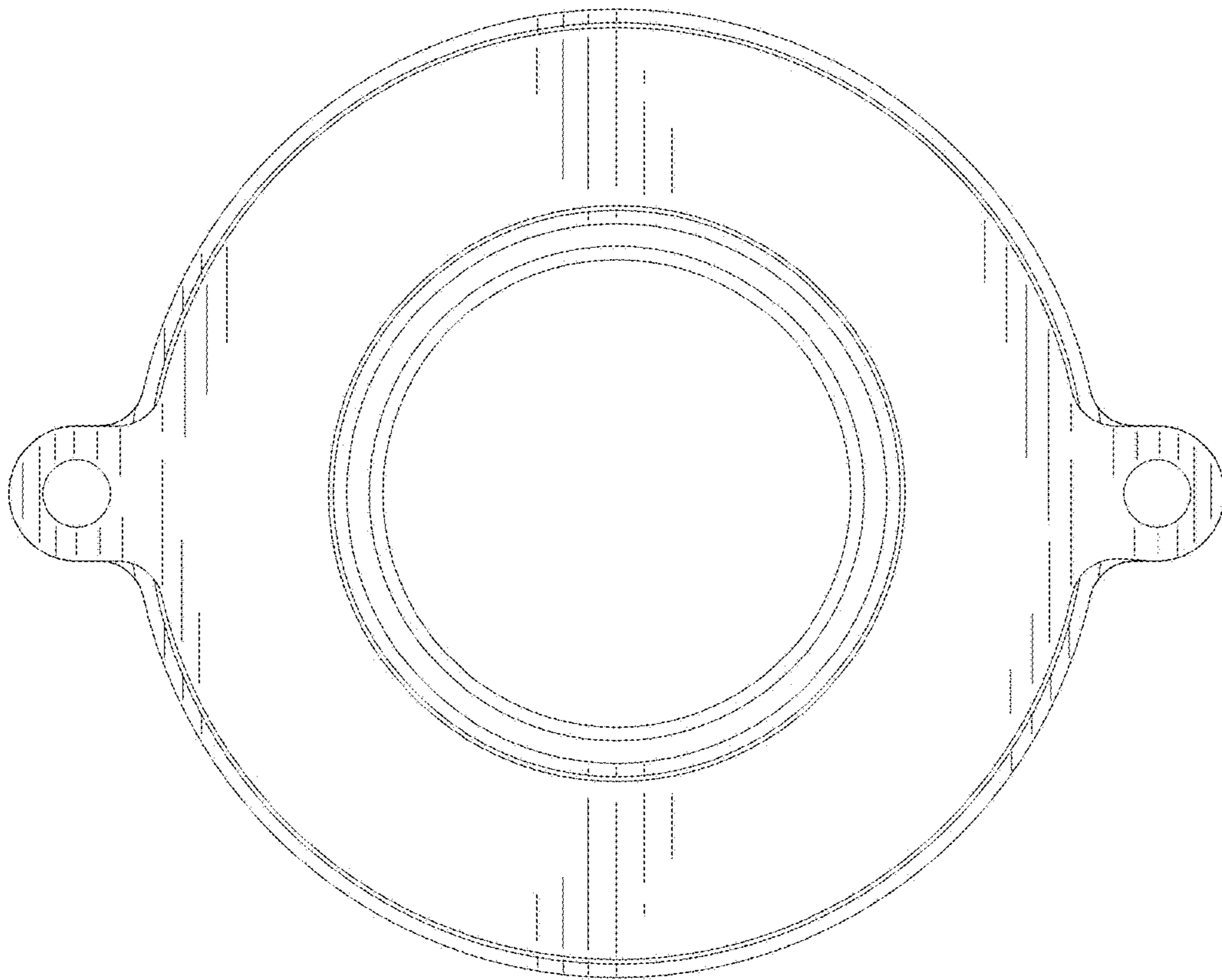


FIG. 4

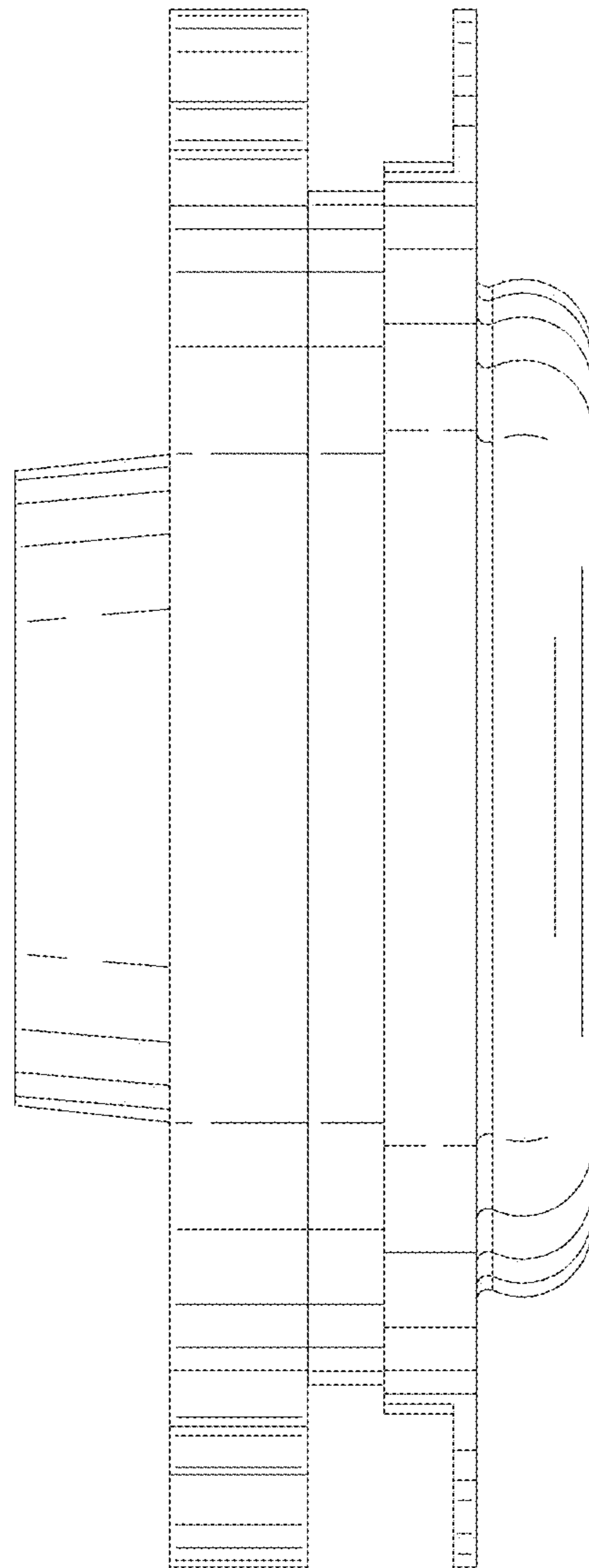


FIG. 5

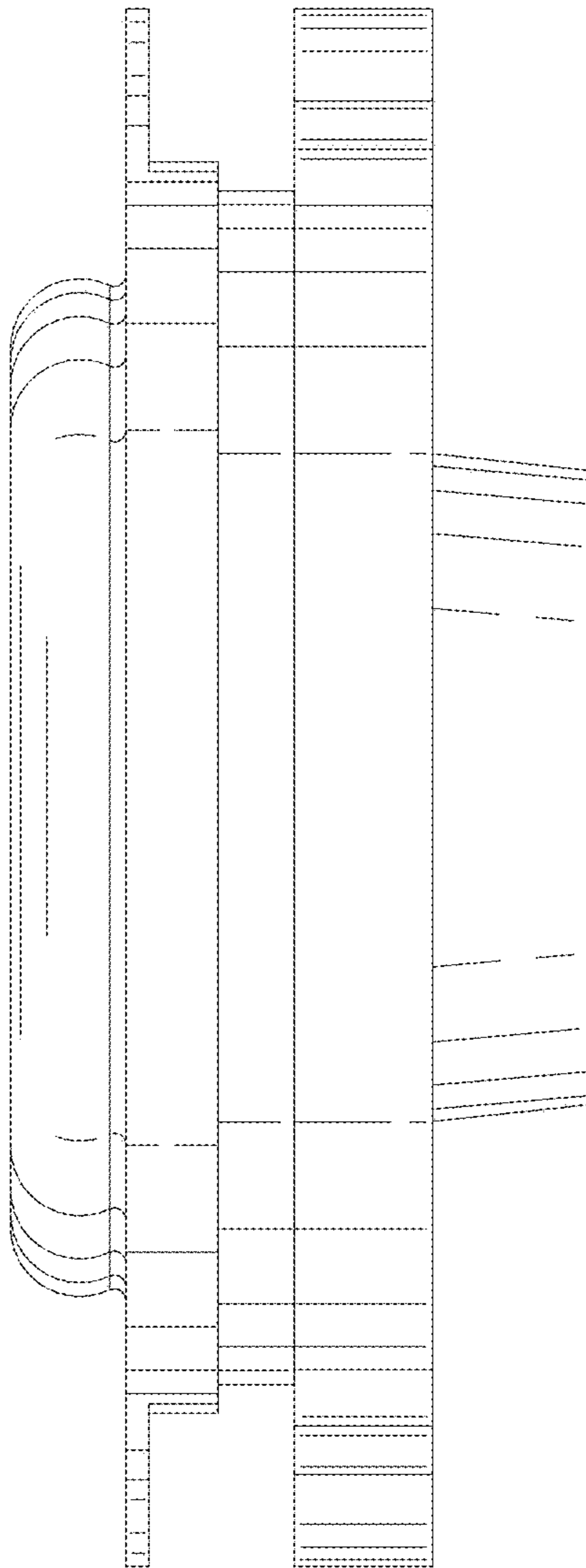


FIG. 6



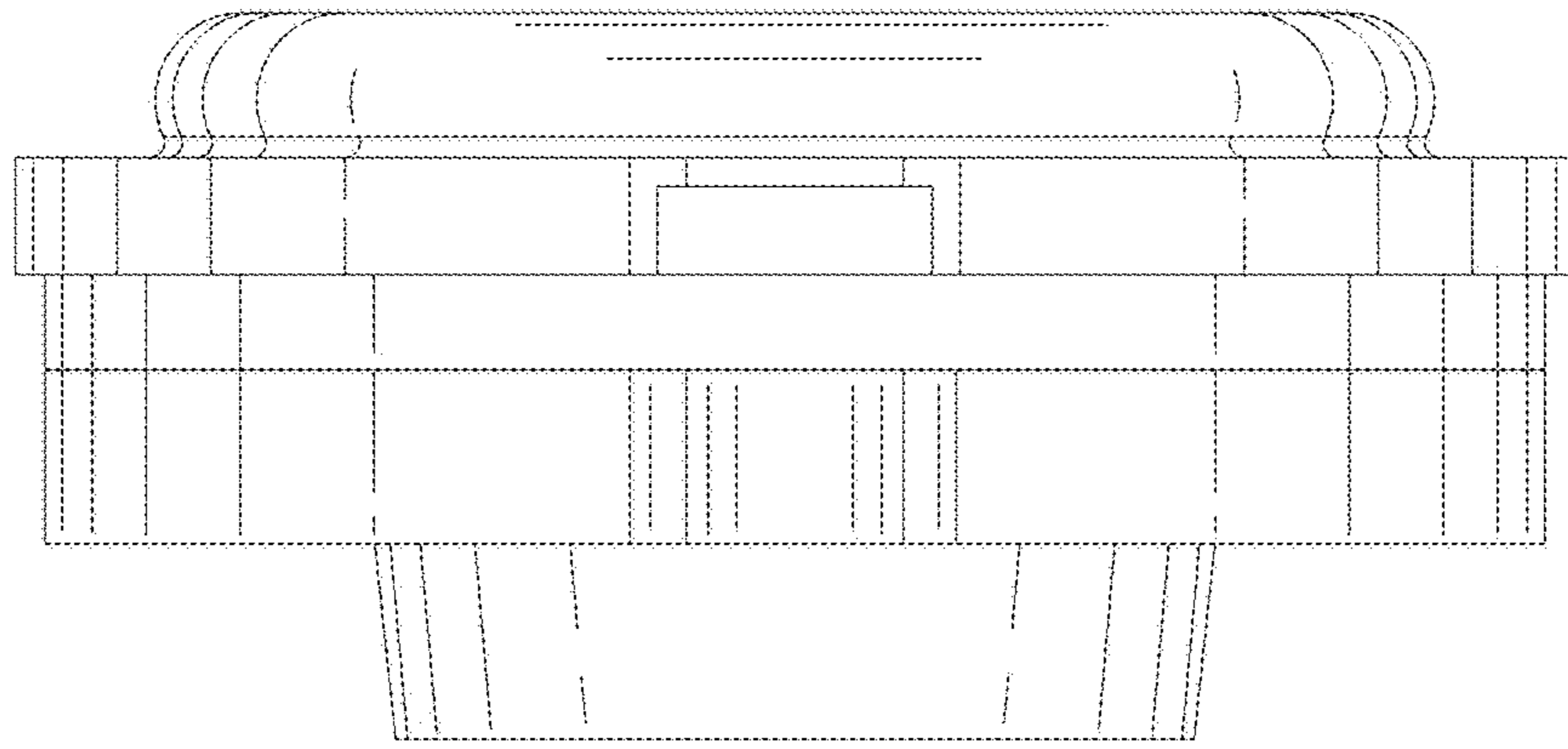


FIG. 7

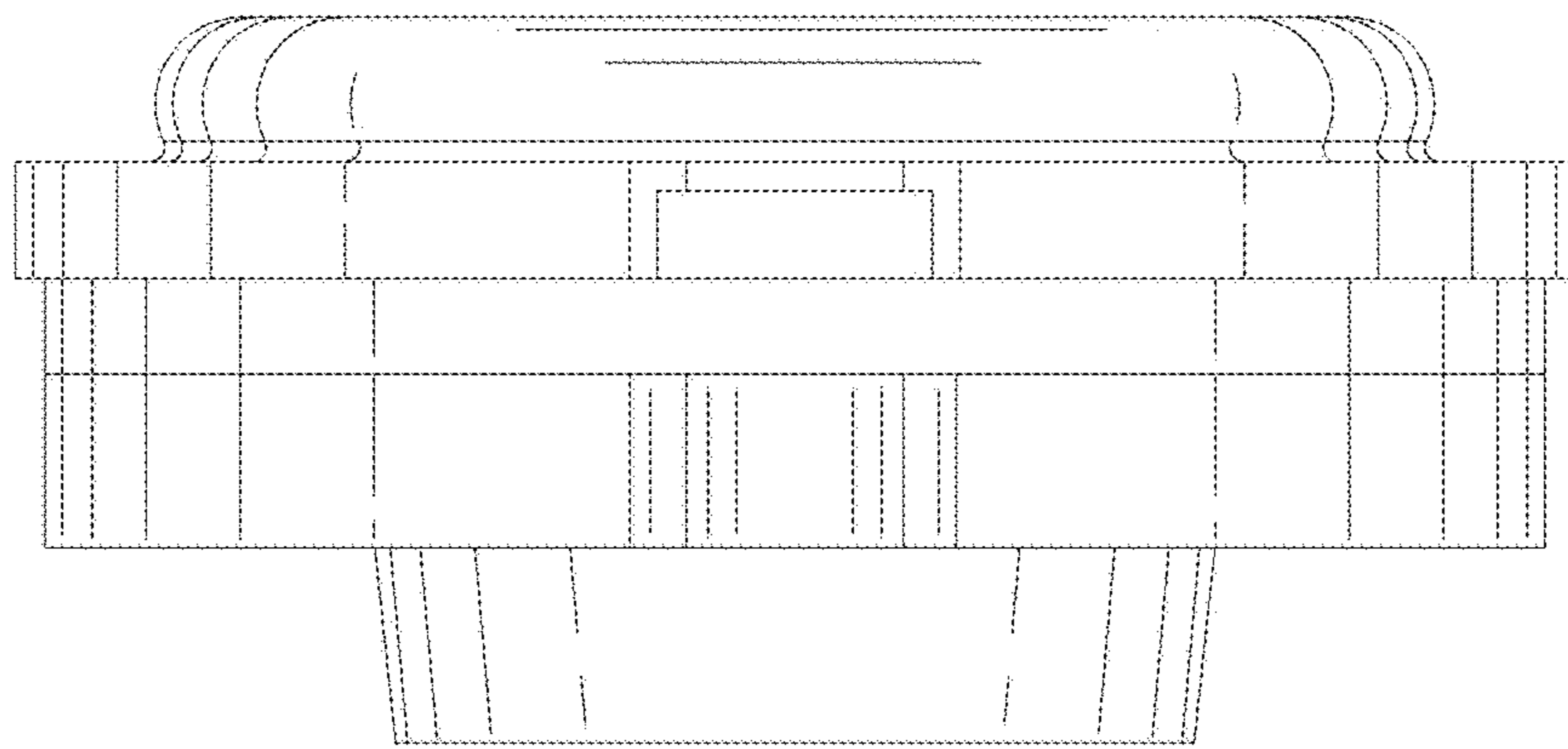


FIG. 8

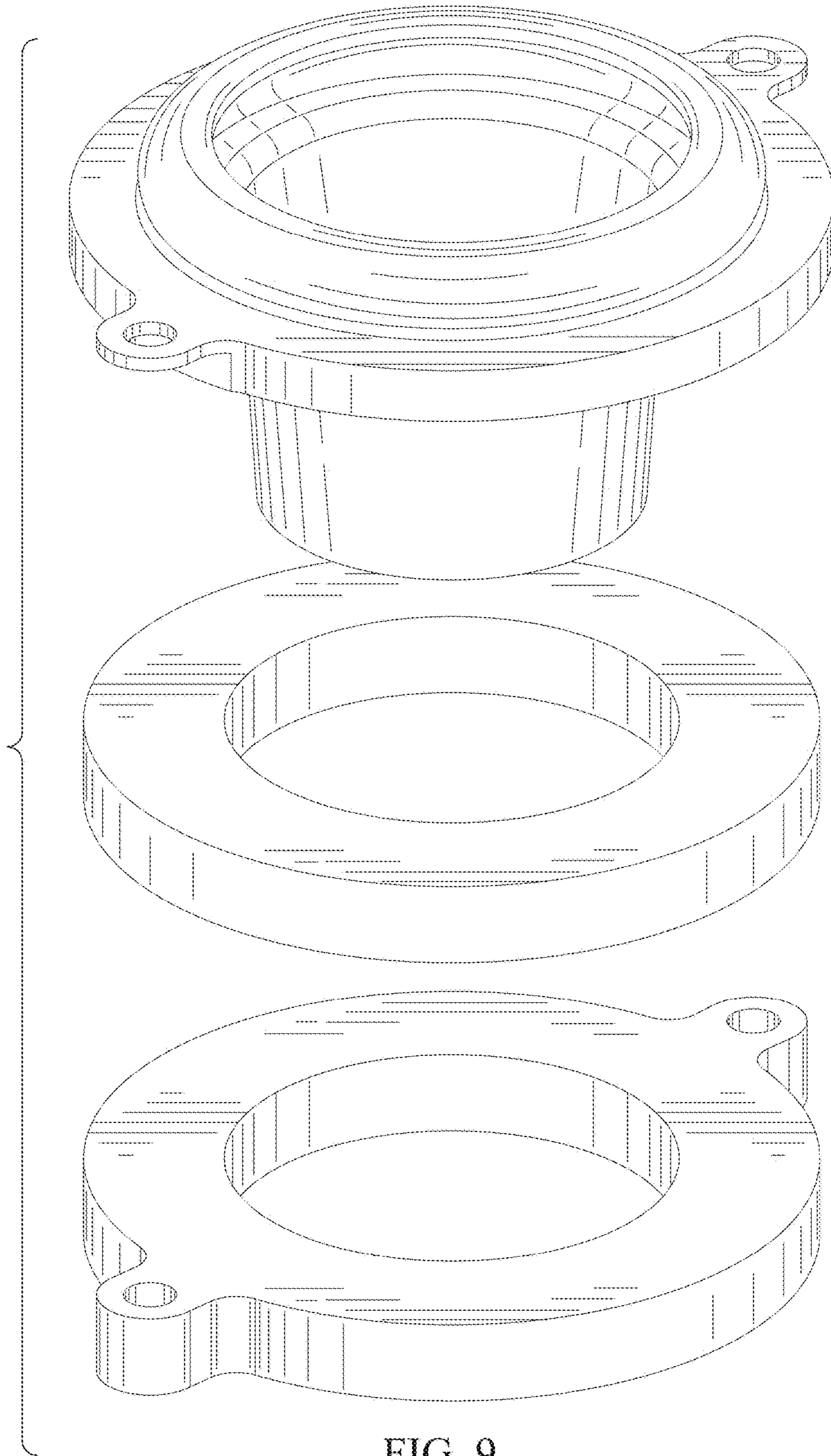


FIG. 9

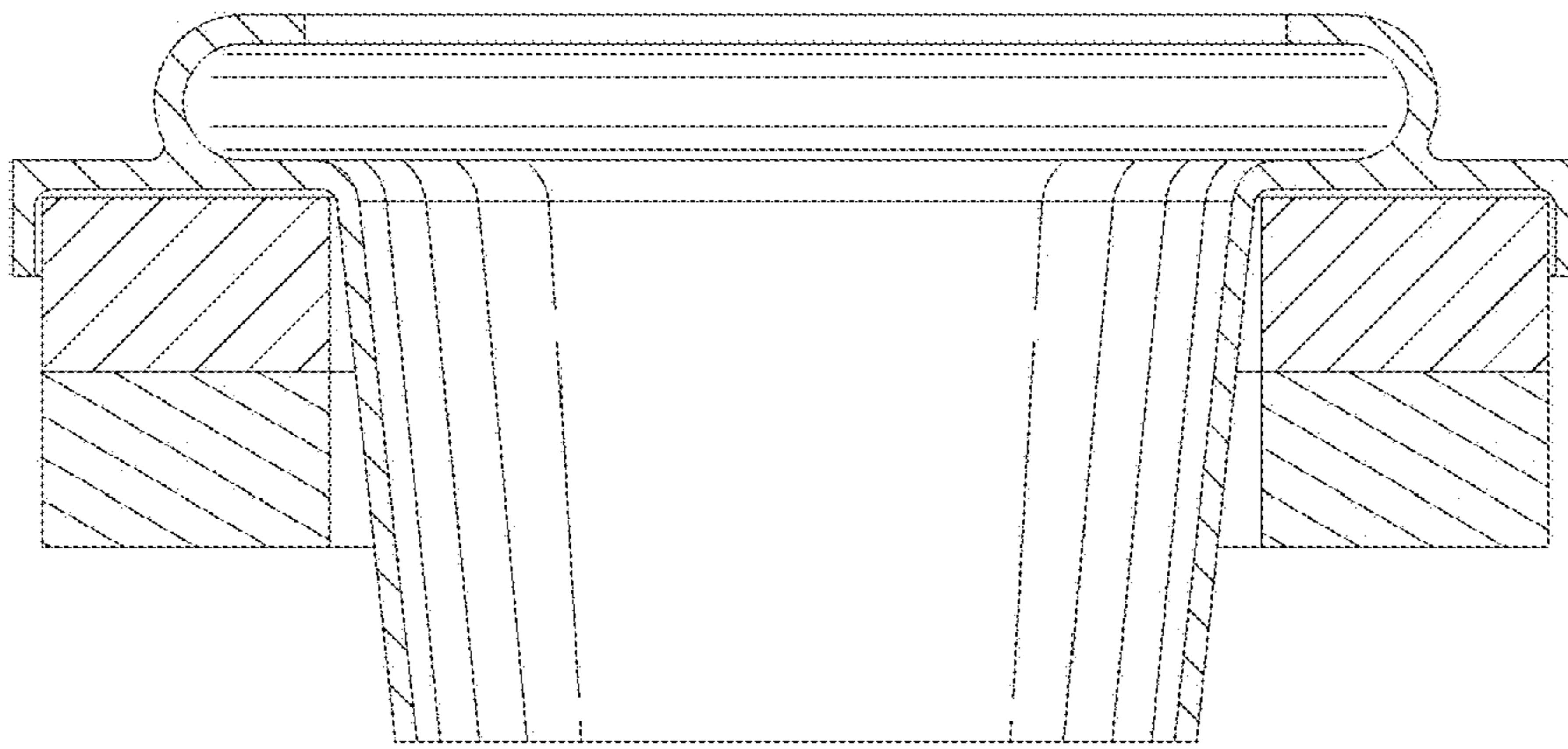


FIG. 10

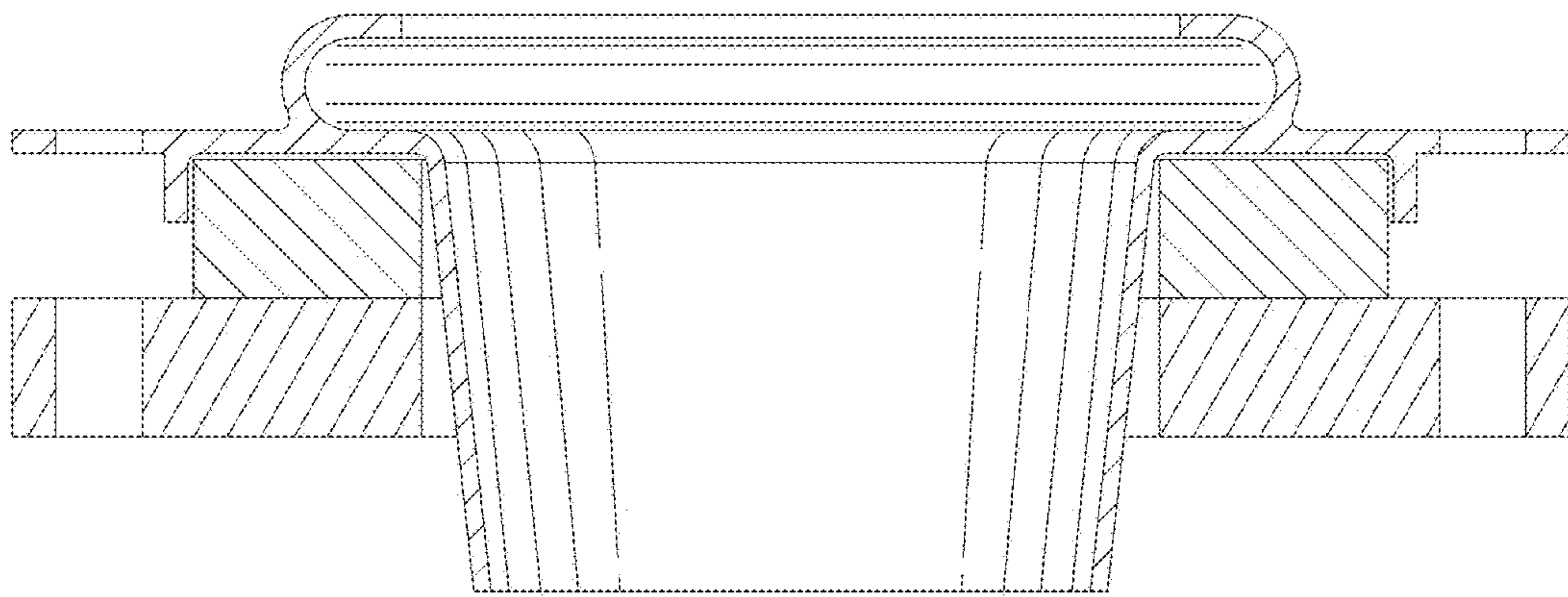


FIG. 11