



US00D841783S

(12) **United States Design Patent** (10) **Patent No.:** **US D841,783 S**
Hu (45) **Date of Patent:** **** Feb. 26, 2019**

(54) **AIR PURIFIER**

(56) **References Cited**

(71) Applicant: **KONINKLIJKE PHILIPS N.V.**,
Eindhoven (NL)

U.S. PATENT DOCUMENTS

(72) Inventor: **Guo Ning Hu**, Shanghai (CN)

D583,450 S *	12/2008	Choi	D23/364
D683,439 S *	5/2013	Choi	D23/364
D684,247 S *	6/2013	Chouji	D23/364
D722,151 S *	2/2015	Hu	D23/356
D722,153 S *	2/2015	Hu	D23/364
D747,789 S *	1/2016	Stoner, Jr.	D23/355
D766,415 S *	9/2016	Kim	D23/364
D773,027 S *	11/2016	Hu	D23/365
D783,794 S *	4/2017	Shen	D23/364
D790,050 S *	6/2017	Shin	D23/364
D801,502 S *	10/2017	Hu	D23/355
D801,505 S *	10/2017	Yin	D23/364
D807,997 S *	1/2018	Seo	D23/364

(73) Assignee: **KONINKLIJKE PHILIPS N.V.**,
Eindhoven (NL)

(**) Term: **15 Years**

(21) Appl. No.: **35/502,327**

(22) Filed: **Jul. 25, 2016**

* cited by examiner

(80) **Hague Agreement Data**

Int. Filing Date: **Jul. 25, 2016**

Int. Reg. No.: **DM/091849**

Int. Reg. Date: **Jul. 25, 2016**

Int. Reg. Pub. Date: **Jan. 27, 2017**

Primary Examiner — Keli L Hill

(57) **CLAIM**

The ornamental design for an air purifier, as shown and described.

(30) **Foreign Application Priority Data**

Mar. 15, 2016 (EM) 003028695-0001

(51) **LOC (11) Cl.** **23-04**

(52) **U.S. Cl.**
USPC **D23/264**

(58) **Field of Classification Search**
USPC D23/355-369; D28/5, 6; 261/DIG. 17,
261/DIG. 42, DIG. 47, DIG. 55, DIG. 65,
261/DIG. 70, DIG. 88, DIG. 89; 392/386,
392/389, 394, 395, 403; 239/34, 44, 45,
239/53, 56

CPC ... A61L 9/02; A61L 9/03; A61L 9/034; A61L
9/04; A61L 9/12; A61L 9/032; A61L
9/122; A61L 9/127; A61L 9/22

See application file for complete search history.

DESCRIPTION

1. Air purifier

1.1 is a perspective view showing the air purifier of my design;

1.2 is a front elevational view thereof;

1.3 is a rear elevational view thereof;

1.4 is a left side, elevational view thereof;

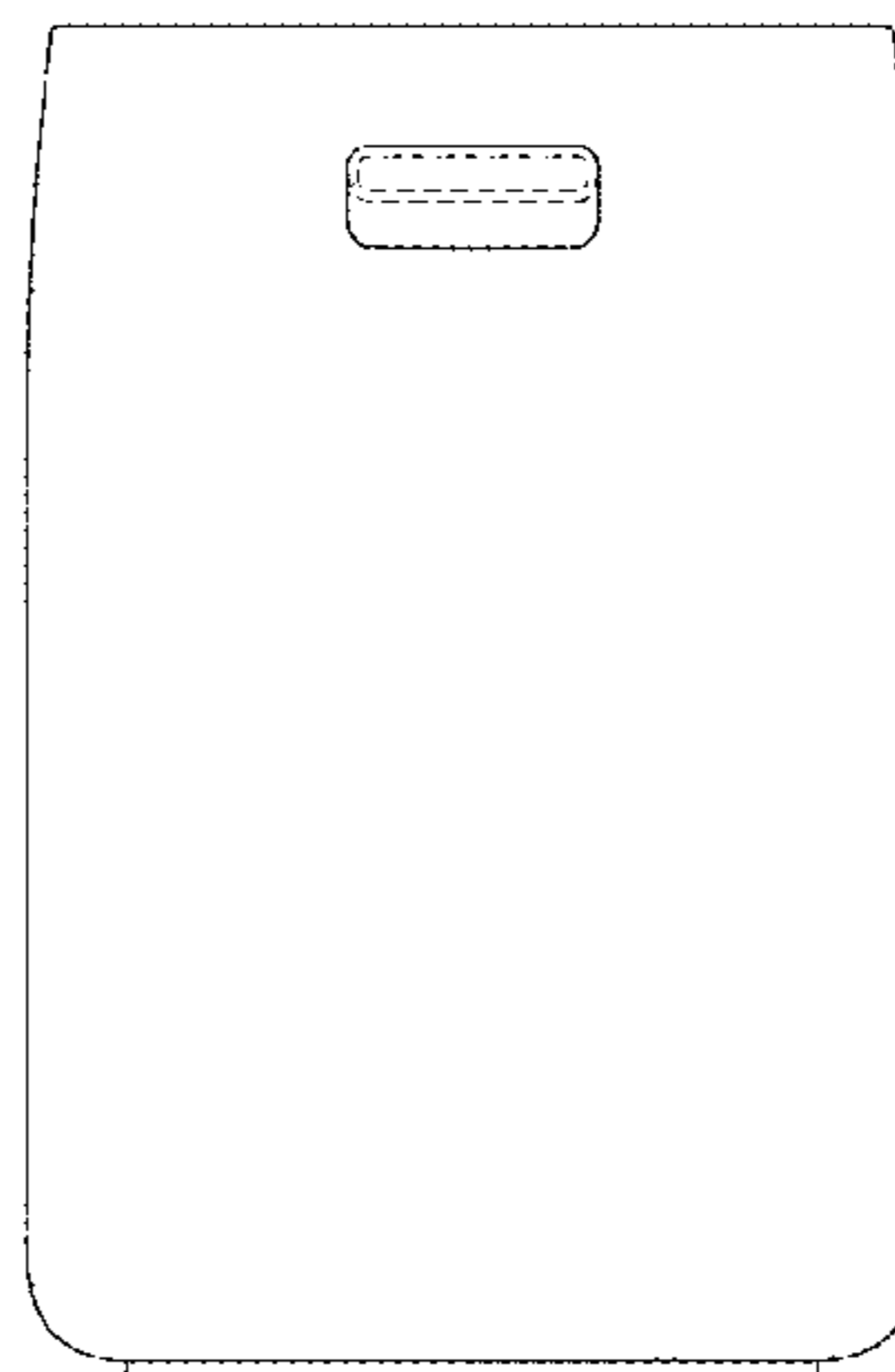
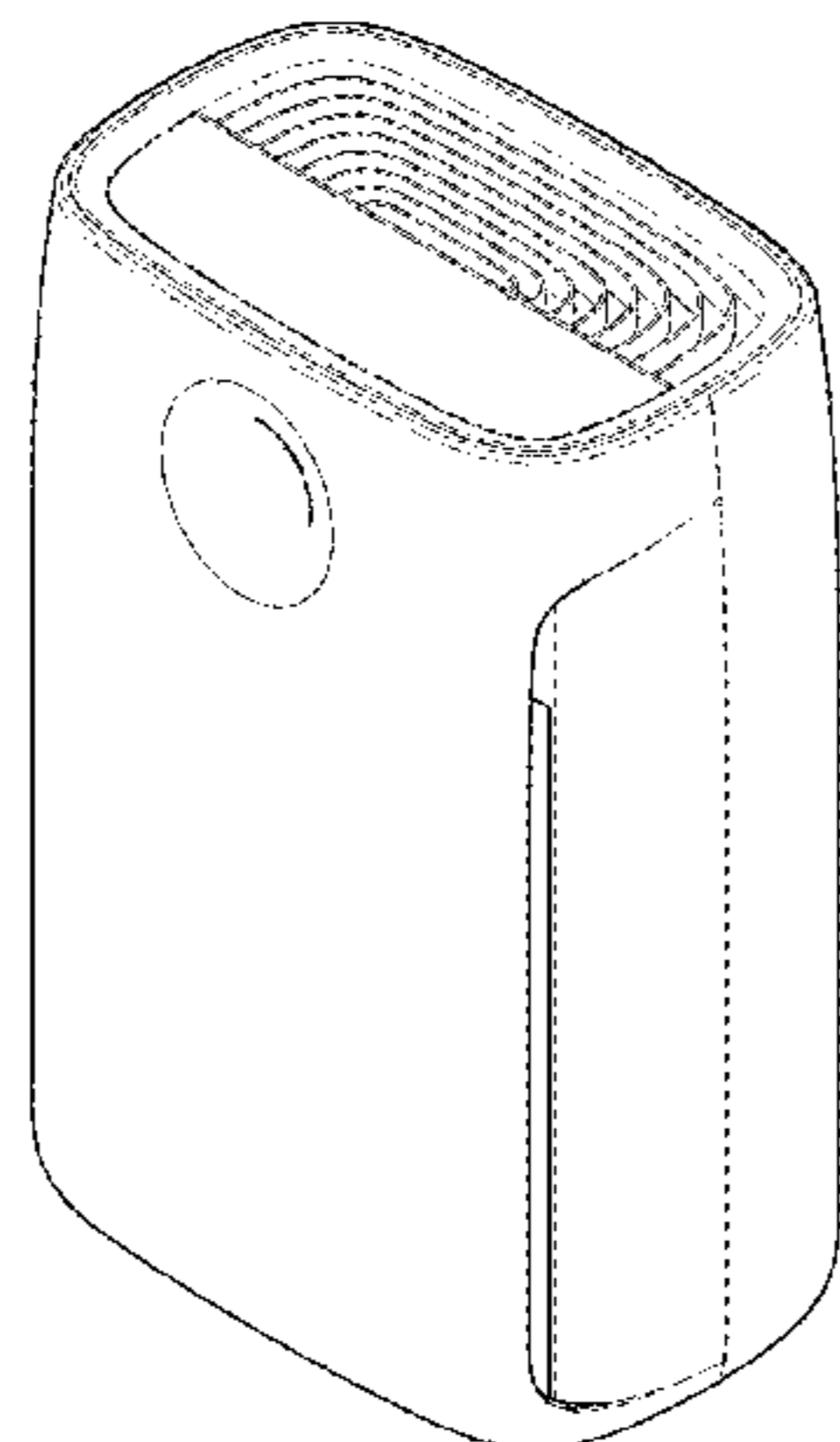
1.5 is a right side elevational view thereof;

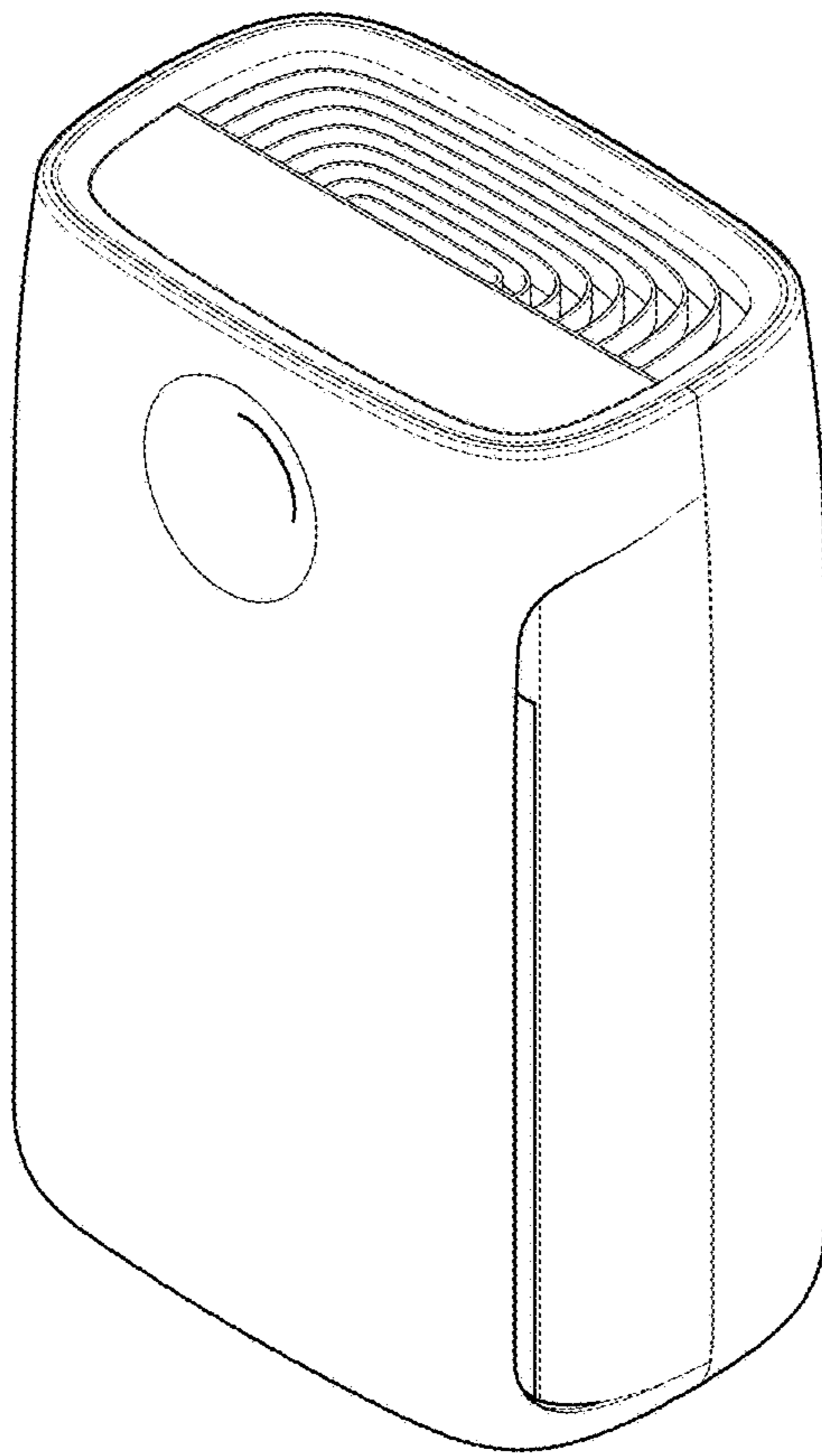
1.6 is a top plan view thereof; and

1.7 is a bottom plan view thereof.

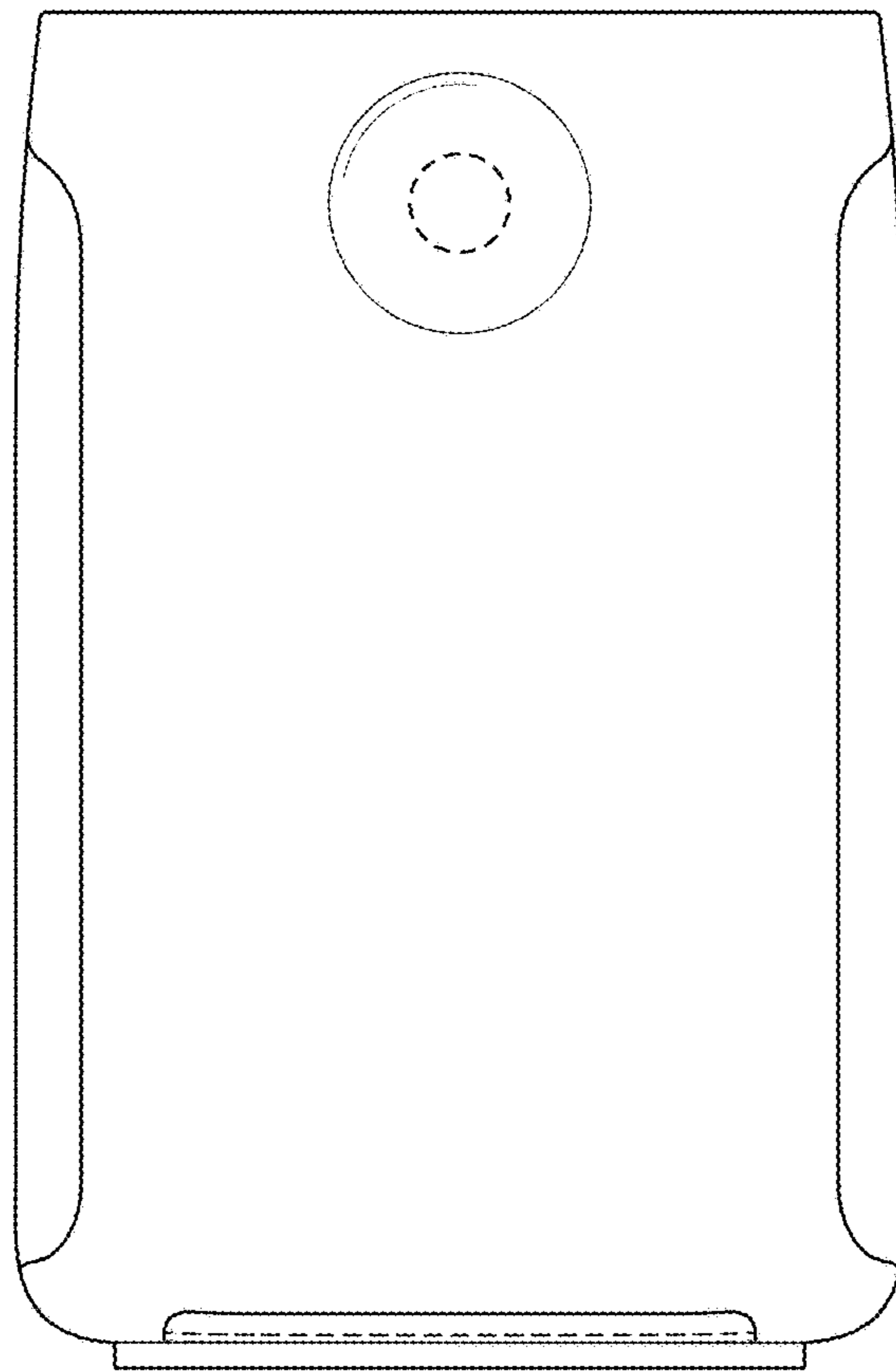
The portions of the air purifier shown in broken lines are included for the purpose of illustrating unclaimed portions of the air purifier and form no part of the claimed design.

1 Claim, 6 Drawing Sheets

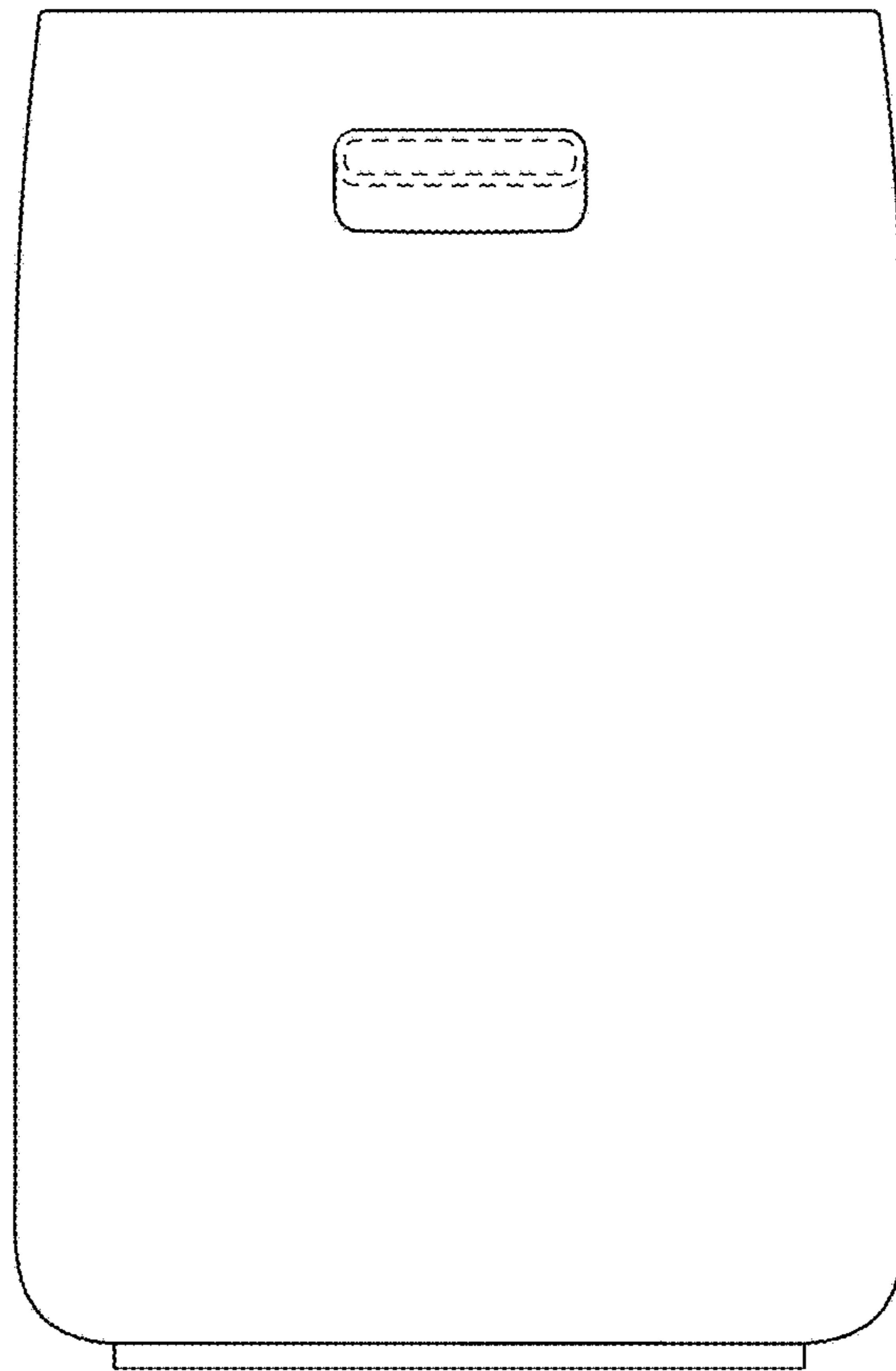




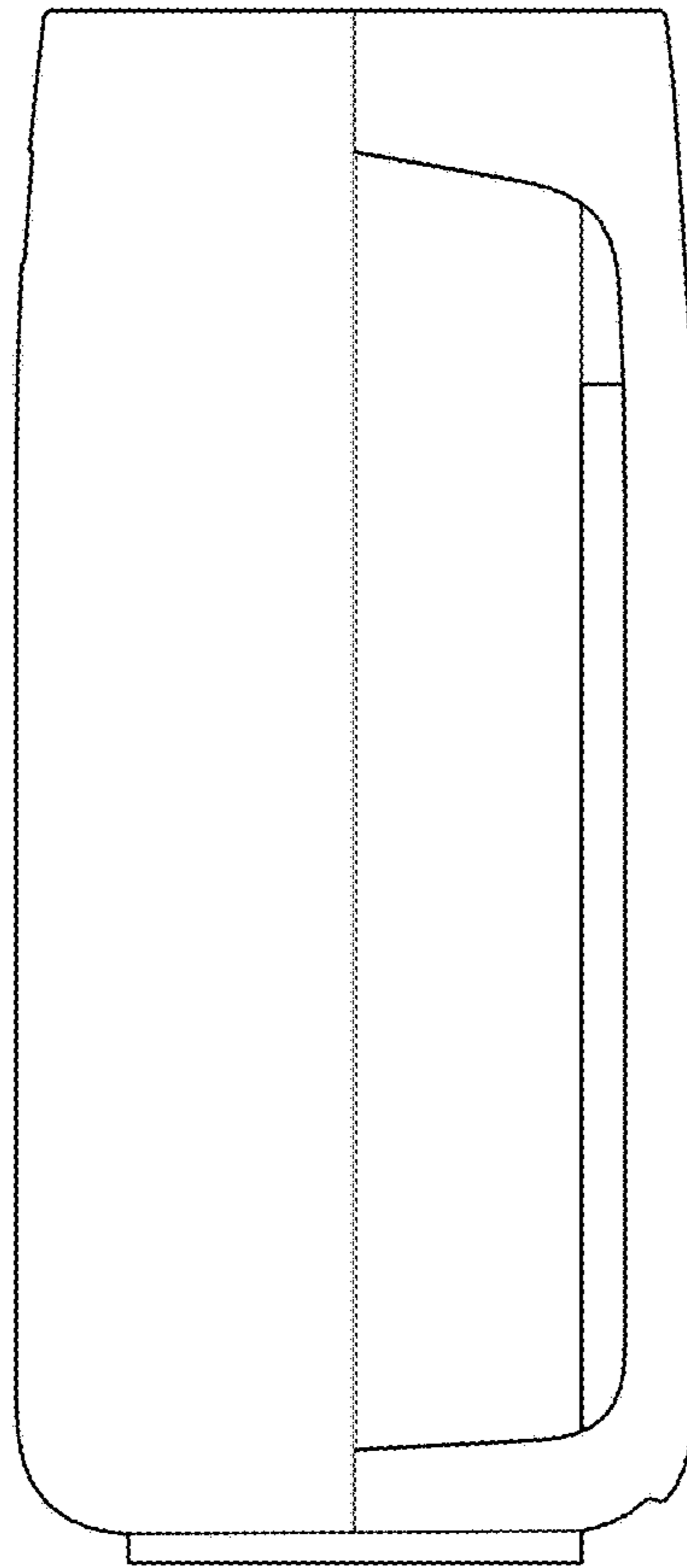
1.1



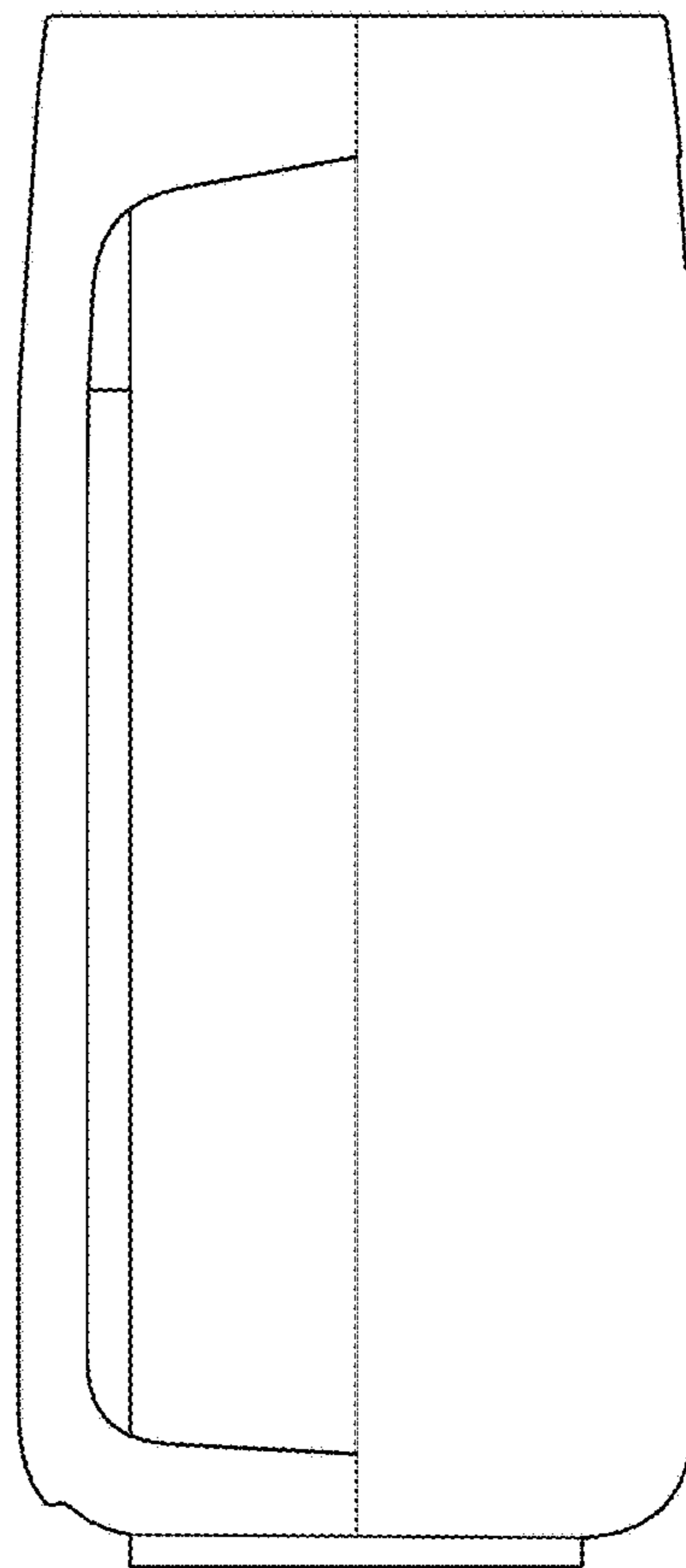
1.2



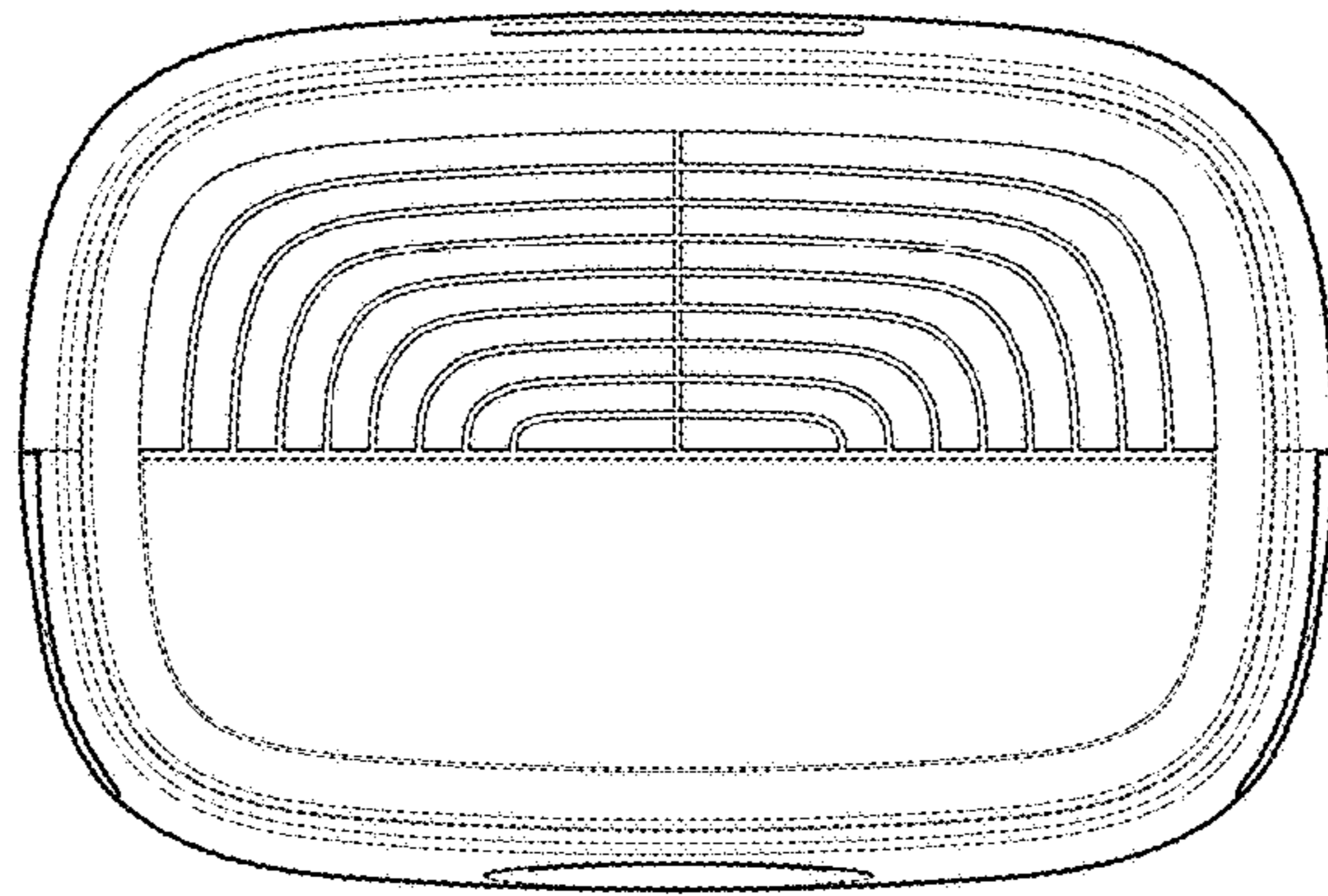
1.3



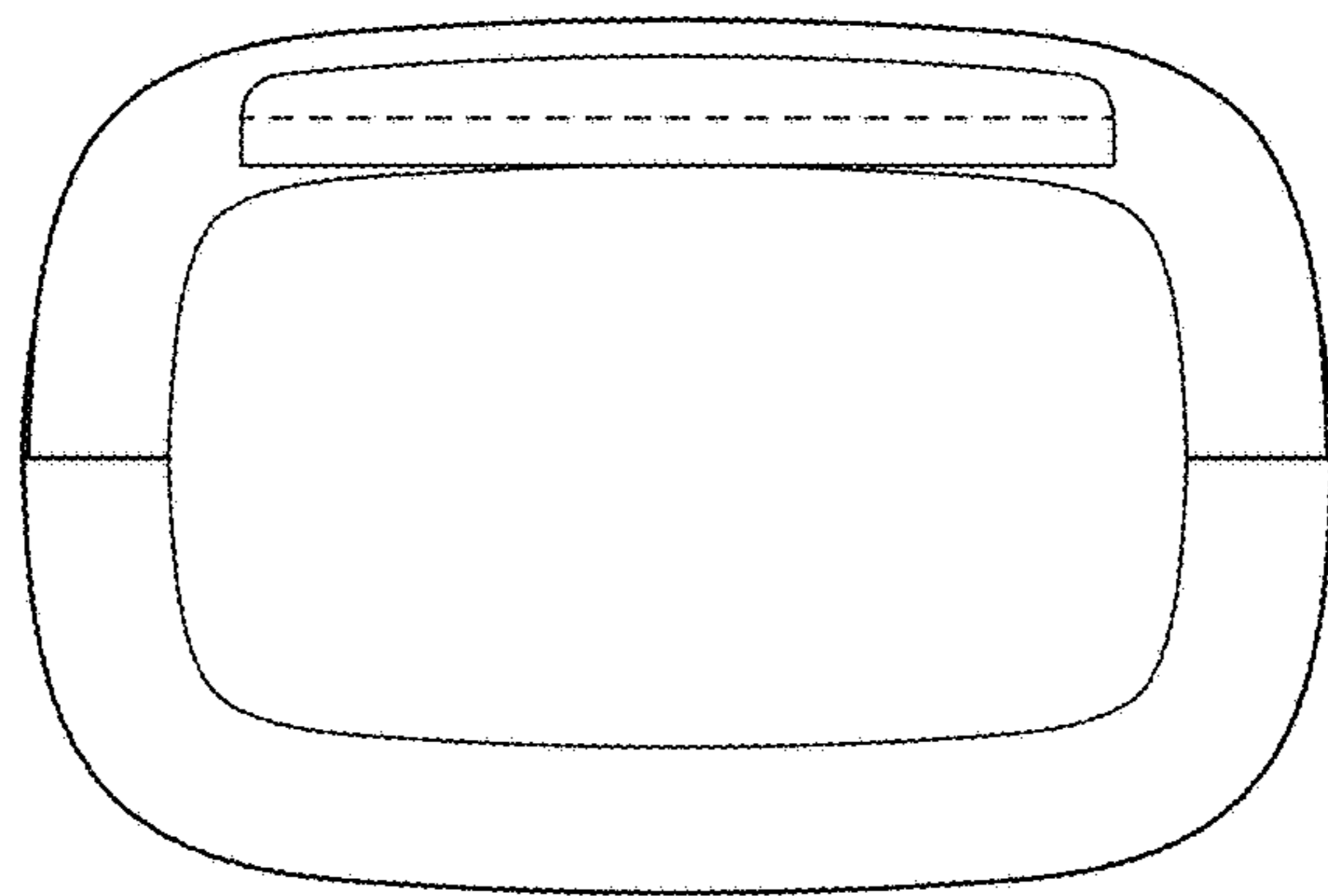
1.4



1.5



1.6



1.7