



US00D841782S

(12) **United States Design Patent** (10) **Patent No.:** **US D841,782 S**
Wada (45) **Date of Patent:** **** Feb. 26, 2019**

(54) **PLUG FOR A PIPE COUPLING**

CPC F16L 17/04; F16L 21/08; F16L 21/005;
F16L 21/065; B61G 5/08
See application file for complete search history.

(71) Applicant: **NITTO KOHKI CO., LTD.**, Tokyo
(JP)

(56) **References Cited**

(72) Inventor: **Akihiro Wada**, Tokyo (JP)

U.S. PATENT DOCUMENTS

(73) Assignee: **NITTO KOHKI CO., LTD.**, Tokyo
(JP)

- 2,905,993 A * 9/1959 Wernsing B66C 1/14
294/82.14
- D248,873 S * 8/1978 Raitto D24/130
- D284,265 S * 6/1986 Resan D23/260
- D297,662 S * 9/1988 Jans D23/254
- D309,857 S * 8/1990 Fenton D8/367
- RE33,611 E * 6/1991 Michaels H01R 9/0527
439/462
- D347,467 S * 5/1994 Medvick D23/262
- D347,894 S * 6/1994 Hansen D24/114

(**) Term: **15 Years**

(21) Appl. No.: **29/613,971**

(22) Filed: **Aug. 15, 2017**

(Continued)

(30) **Foreign Application Priority Data**

OTHER PUBLICATIONS

Feb. 28, 2017 (JP) 2017-003962

Nitto Kohki, Co., Ltd., PCH CUPLA, Sep. 29, 2015.

(51) **LOC (11) Cl.** **23-01**

Primary Examiner — David G Muller

(52) **U.S. Cl.**

Assistant Examiner — Nathan M Johnston

USPC **D23/260**

(74) *Attorney, Agent, or Firm* — Wenderoth, Lind & Ponack, L.L.P.

(58) **Field of Classification Search**

(57) **CLAIM**

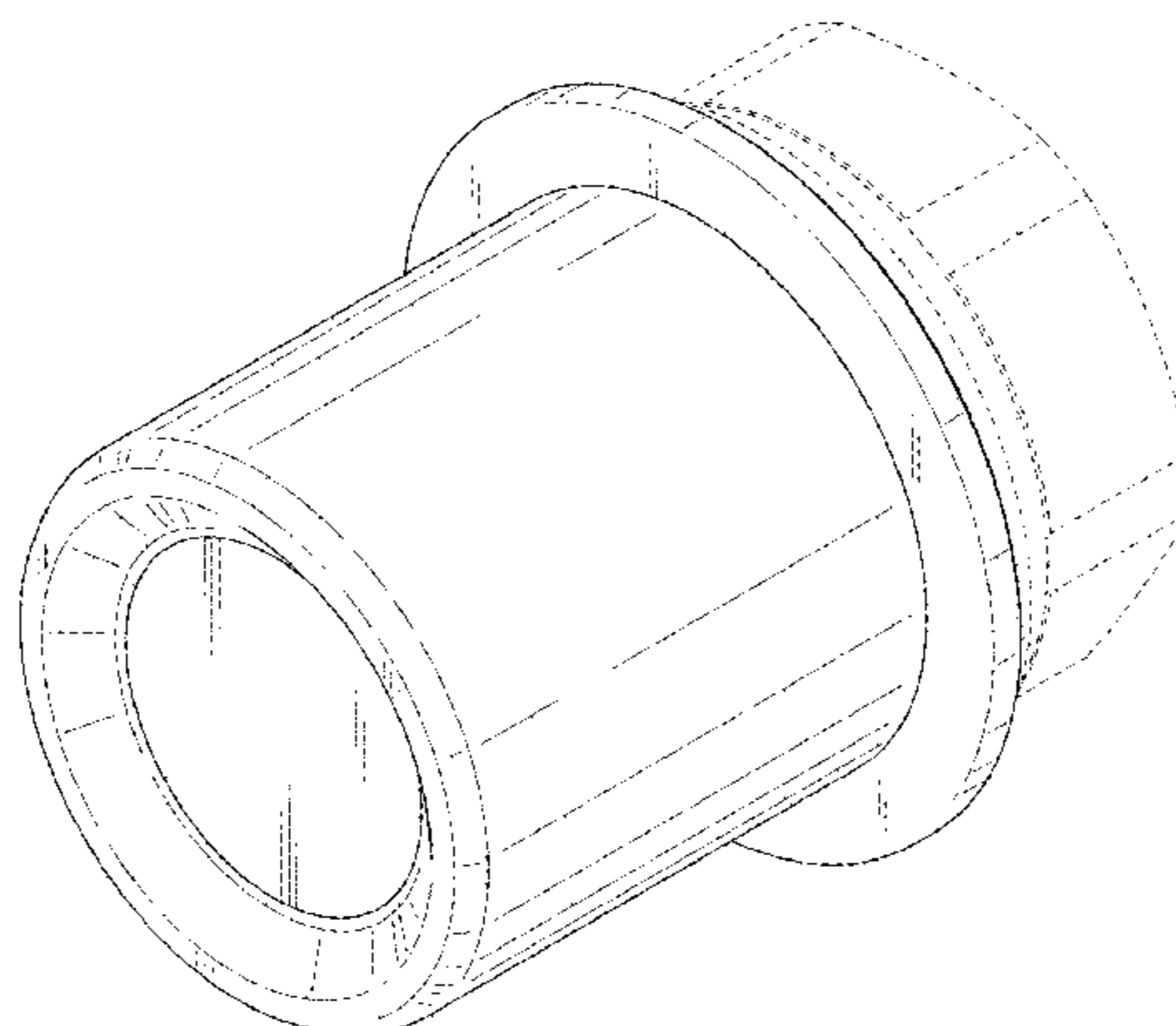
USPC D8/349, 350, 353, 354, 355, 356, 359,
D8/366, 367, 373, 74, 381, 382, 383,
D8/385; D13/154, 110, 133, 146, 147,
D13/155, 150, 151, 153, 156, 184, 199;
D23/260–262, 254, 265, 266;
D24/127–131, 112–114, 133, 186;
606/181, 185; 604/264, 523–528, 272,
604/187, 158, 164.01–164.11, 181, 184,
604/227; 600/101, 139, 143;
128/200.24, 207.14, 207.15; 439/578,
439/579, 580, 581, 582, 583, 584, 585,
439/694, 695, 944, 155, 306–309, 352,
439/460, 469, 597, 600, 607–610, 380;
4/286–287, 293, 295; 285/360, 148.19,
285/148.2, 376, 401

The ornamental design for a plug for a pipe coupling, as shown and described.

DESCRIPTION

FIG. 1 is a perspective view of a plug for a pipe coupling showing my new design;
FIG. 2 is a front elevational view thereof;
FIG. 3 is a top plan view thereof;
FIG. 4 is a left side elevational view thereof;
FIG. 5 is a right side elevational view thereof; and,
FIG. 6 is a front cross-sectional taken along line 6-6 in FIG. 4;
A rear elevational view is omitted as it appears symmetrical with the frond view. A bottom plan view is omitted as it appears to be the same as the top plan view.

(Continued)



The broken lines show portions of the design that form no part the claimed design.

1 Claim, 6 Drawing Sheets

(56)

References Cited

U.S. PATENT DOCUMENTS

D363,778 S * 10/1995 Cane D24/129
 D367,468 S * 2/1996 Nakamura D13/154
 D368,304 S * 3/1996 Morrison D23/262
 D486,224 S * 2/2004 Gay, III D24/109
 D533,899 S * 12/2006 Ohashi D18/56
 D538,727 S * 3/2007 Wright D12/207
 D594,735 S * 6/2009 Hofer D8/349
 D616,966 S * 6/2010 Angell D23/262
 D623,045 S * 9/2010 Moncade D8/354
 D623,049 S * 9/2010 Zeyfang D8/397
 D625,170 S * 10/2010 McGrath D8/355

D628,056 S * 11/2010 Busch D8/385
 D642,548 S * 8/2011 Bowen, III D13/183
 D688,796 S * 8/2013 Niunoya D24/127
 D703,519 S * 4/2014 Senseney D8/382
 D707,534 S * 6/2014 Crouse D8/356
 D709,643 S * 7/2014 Kohler D26/138
 D713,705 S * 9/2014 Mina D8/397
 D717,948 S * 11/2014 Strong D24/130
 D722,486 S * 2/2015 Wang D8/355
 D736,315 S * 8/2015 Jour D19/86
 D752,963 S * 4/2016 Kaupp D8/385
 D783,784 S * 4/2017 Bates-Hurtado D23/266
 D789,187 S * 6/2017 Vitou D8/382
 D798,826 S * 10/2017 Karlsson D13/156
 D799,939 S * 10/2017 Lowitz D8/354
 D801,792 S * 11/2017 Hunt D8/376
 D806,520 S * 1/2018 Krombein D8/354
 D807,727 S * 1/2018 Krombein D8/354
 D814,913 S * 4/2018 Baiz D8/387
 2010/0291802 A1 * 11/2010 Sawai H01R 13/5224
 439/660

* cited by examiner

Fig. 1

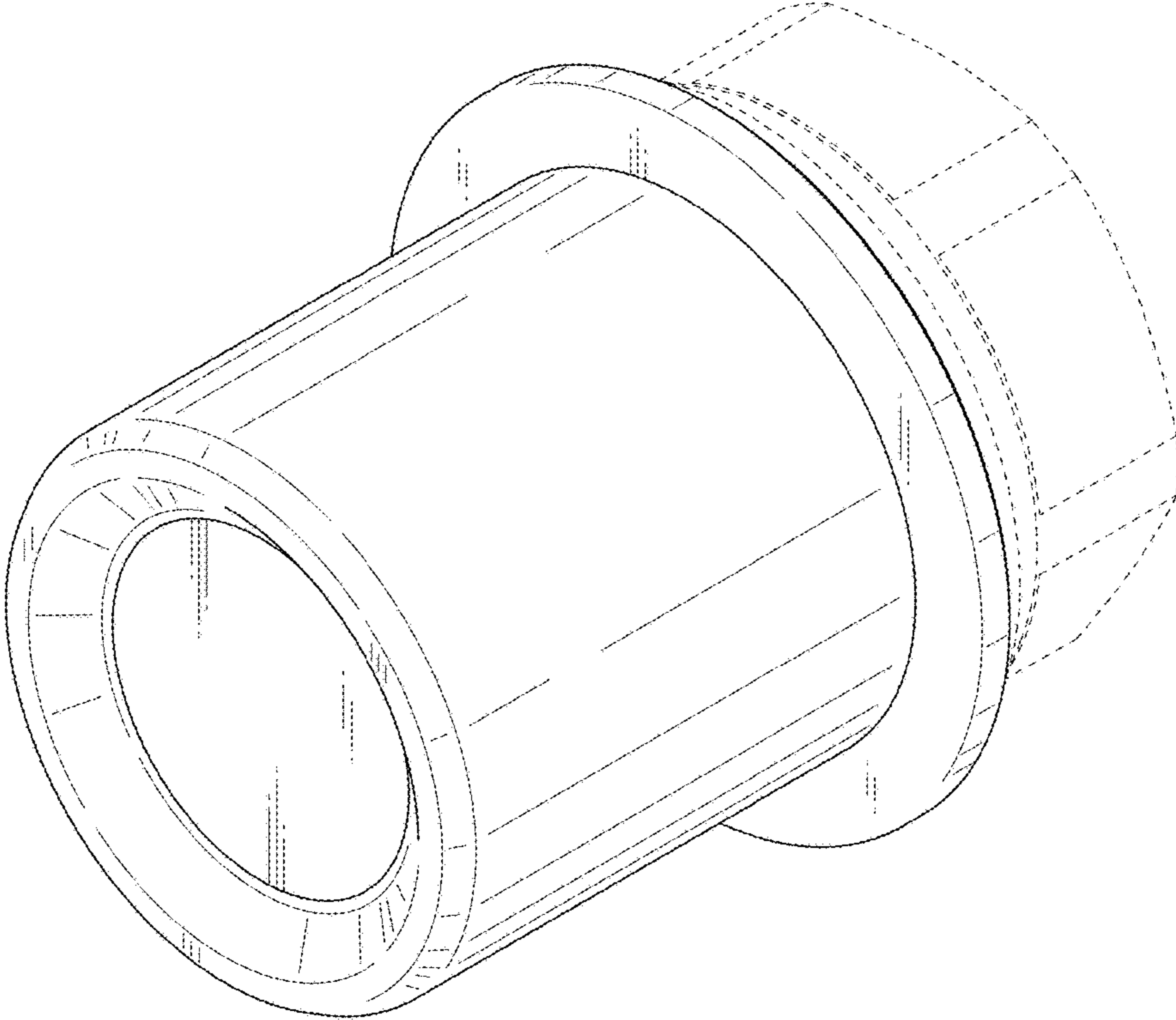


Fig. 2

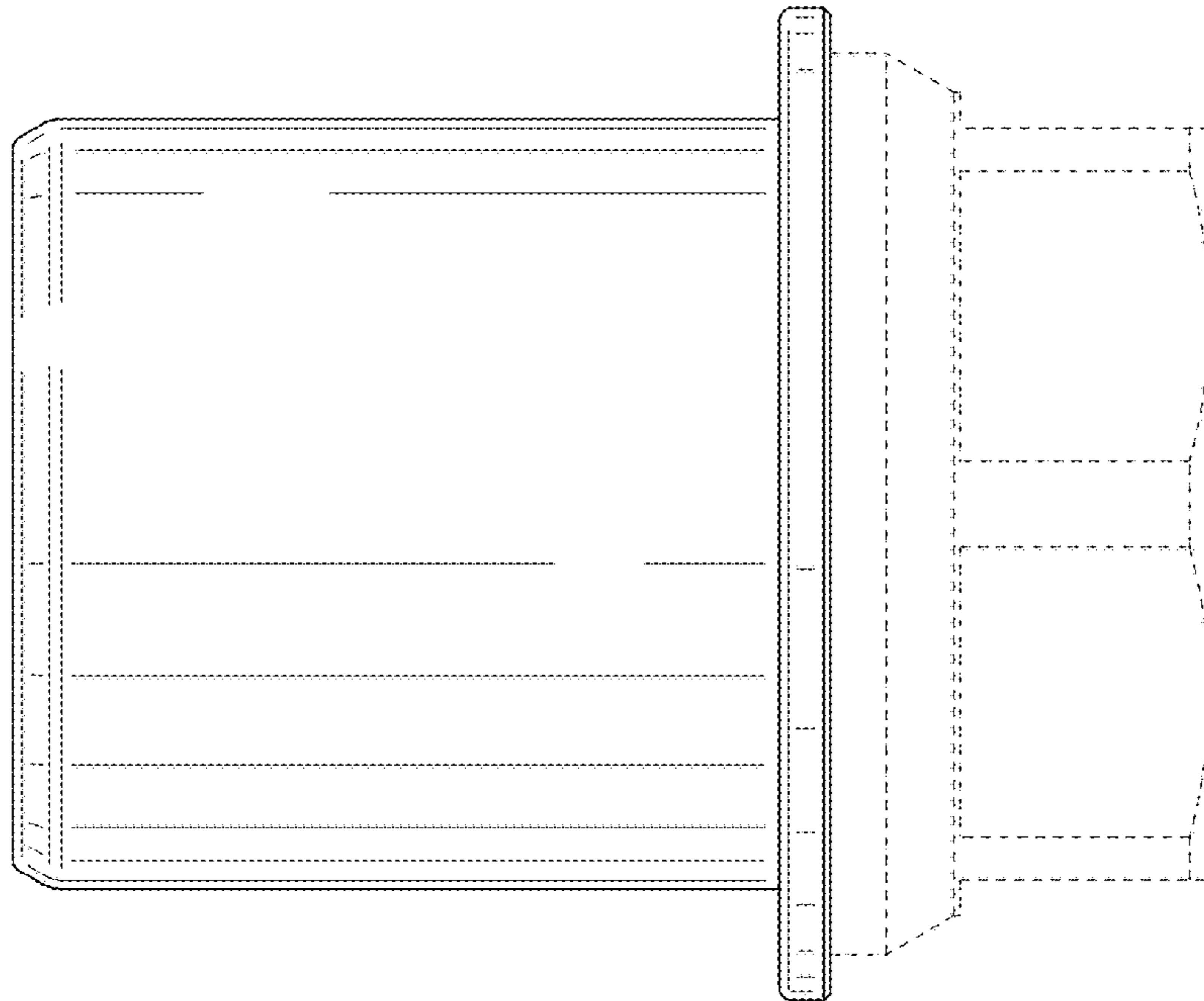


Fig. 3

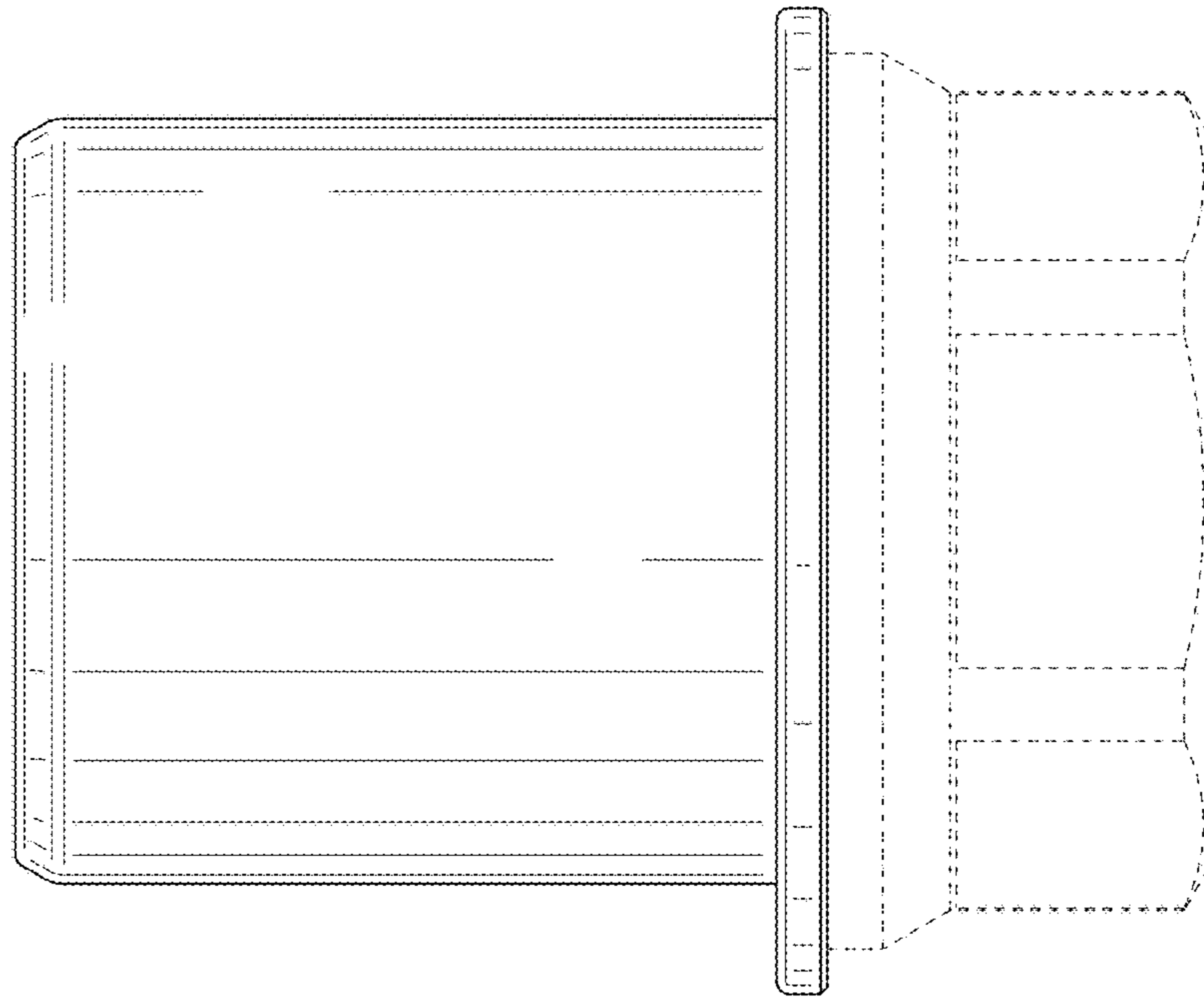


Fig. 4

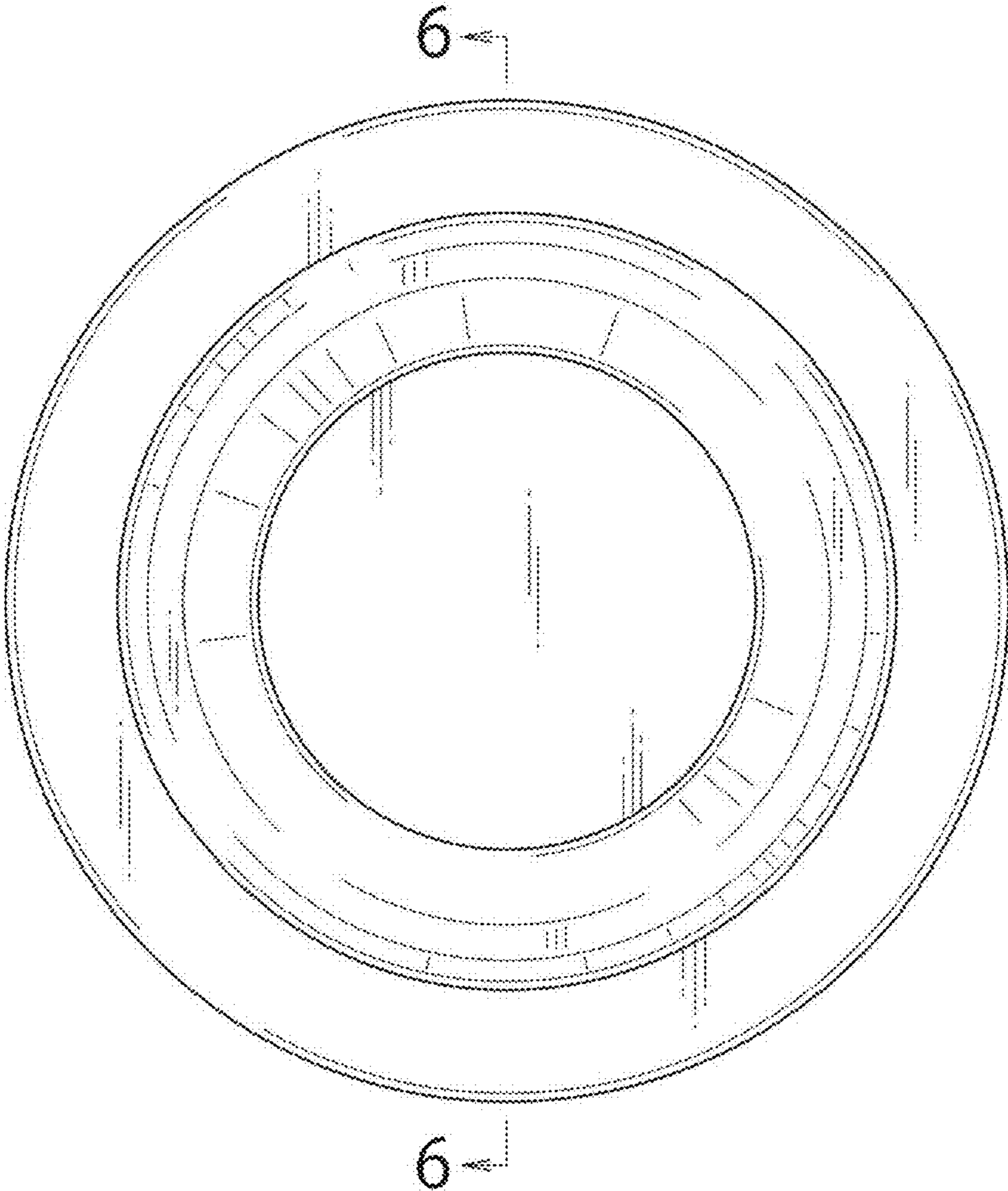


Fig. 5

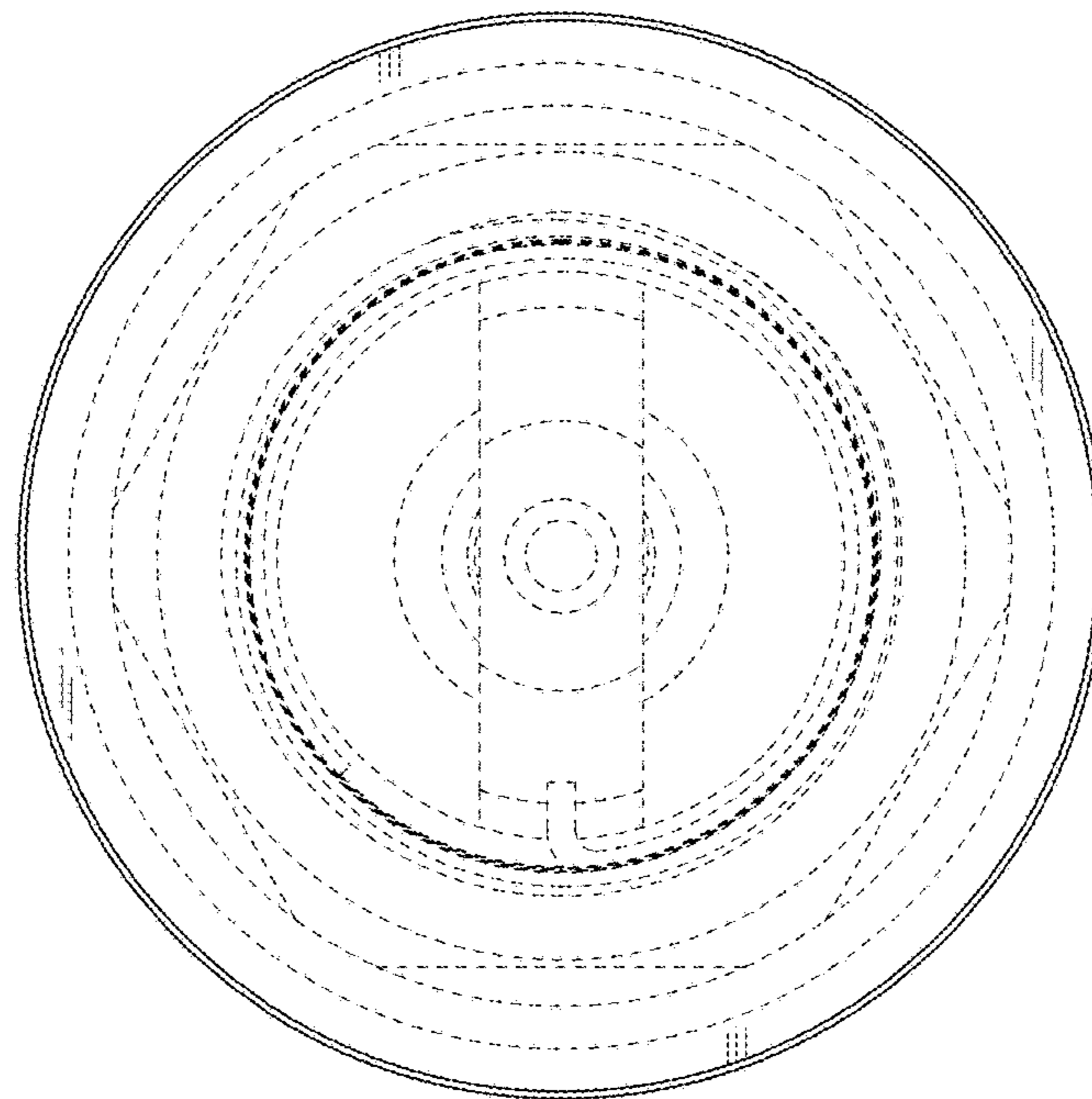


Fig. 6

