



US00D841781S

(12) **United States Design Patent**  
**Howard et al.**

(10) **Patent No.:** **US D841,781 S**

(45) **Date of Patent:** **\*\* Feb. 26, 2019**

(54) **HAND WHEEL**

(71) Applicant: **Engineered Controls International, LLC**, Elon, NC (US)

(72) Inventors: **Jeffrey S. Howard**, Elon, NC (US);  
**Tracy N. Tickle**, Gibsonville, NC (US)

(73) Assignee: **Engineered Controls International, LLC**, Elon, NC (US)

(\*\*) Term: **15 Years**

(21) Appl. No.: **29/642,819**

(22) Filed: **Apr. 2, 2018**

**Related U.S. Application Data**

(63) Continuation of application No. 29/571,658, filed on Jul. 20, 2016.

(51) **LOC (11) Cl.** ..... **23-04**

(52) **U.S. Cl.**  
USPC ..... **D23/253**

(58) **Field of Classification Search**  
USPC ..... D23/233-250, 253; D8/300-314;  
137/338

CPC ..... F16K 31/60; F16K 31/605; Y10T 16/484;  
Y10T 74/20834; Y10T 74/20864

See application file for complete search history.

(56) **References Cited**

**U.S. PATENT DOCUMENTS**

1,218,032 A \* 3/1917 Yarnall ..... F16K 31/60  
137/338  
D140,256 S \* 2/1945 Shaeffer ..... 74/557

D146,674 S \* 4/1947 McManus ..... D23/253  
D153,285 S \* 4/1949 Hinderer ..... D23/253  
D249,803 S \* 10/1978 Okano ..... D23/253  
D274,084 S \* 5/1984 Yanagi ..... D23/253  
D274,087 S \* 5/1984 Yanagi ..... D23/253

\* cited by examiner

*Primary Examiner* — Cynthia Ramirez

*Assistant Examiner* — Gino Colan

(74) *Attorney, Agent, or Firm* — Neal, Gerber & Eisenberg LLP

(57) **CLAIM**

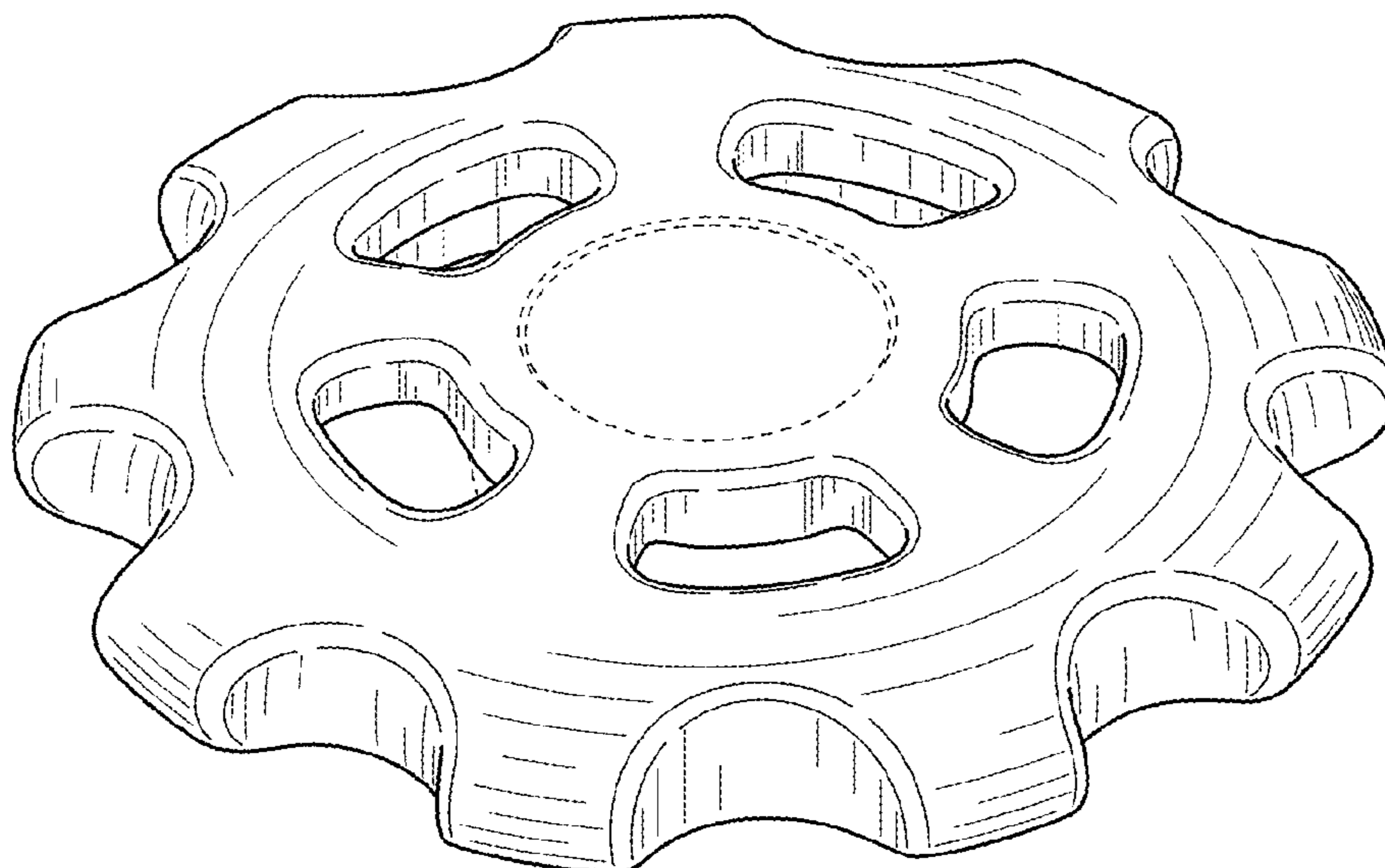
The ornamental design for a hand wheel, as shown and described.

**DESCRIPTION**

FIG. 1 is a front, right side perspective view of the hand wheel showing our new design;  
FIG. 2 is a front elevational view thereof;  
FIG. 3 is a rear elevational view thereof;  
FIG. 4 is a right side elevational view thereof;  
FIG. 5 is a left side elevational view thereof;  
FIG. 6 is a top plan view thereof;  
FIG. 7 is a bottom plan view thereof; and,  
FIG. 8 is a cross-sectional view along the lines 8-8 in FIG. 6.

The broken lines in FIGS. 1-8 are for the purpose of illustrating environment, and form no part of the claimed design.

**1 Claim, 4 Drawing Sheets**



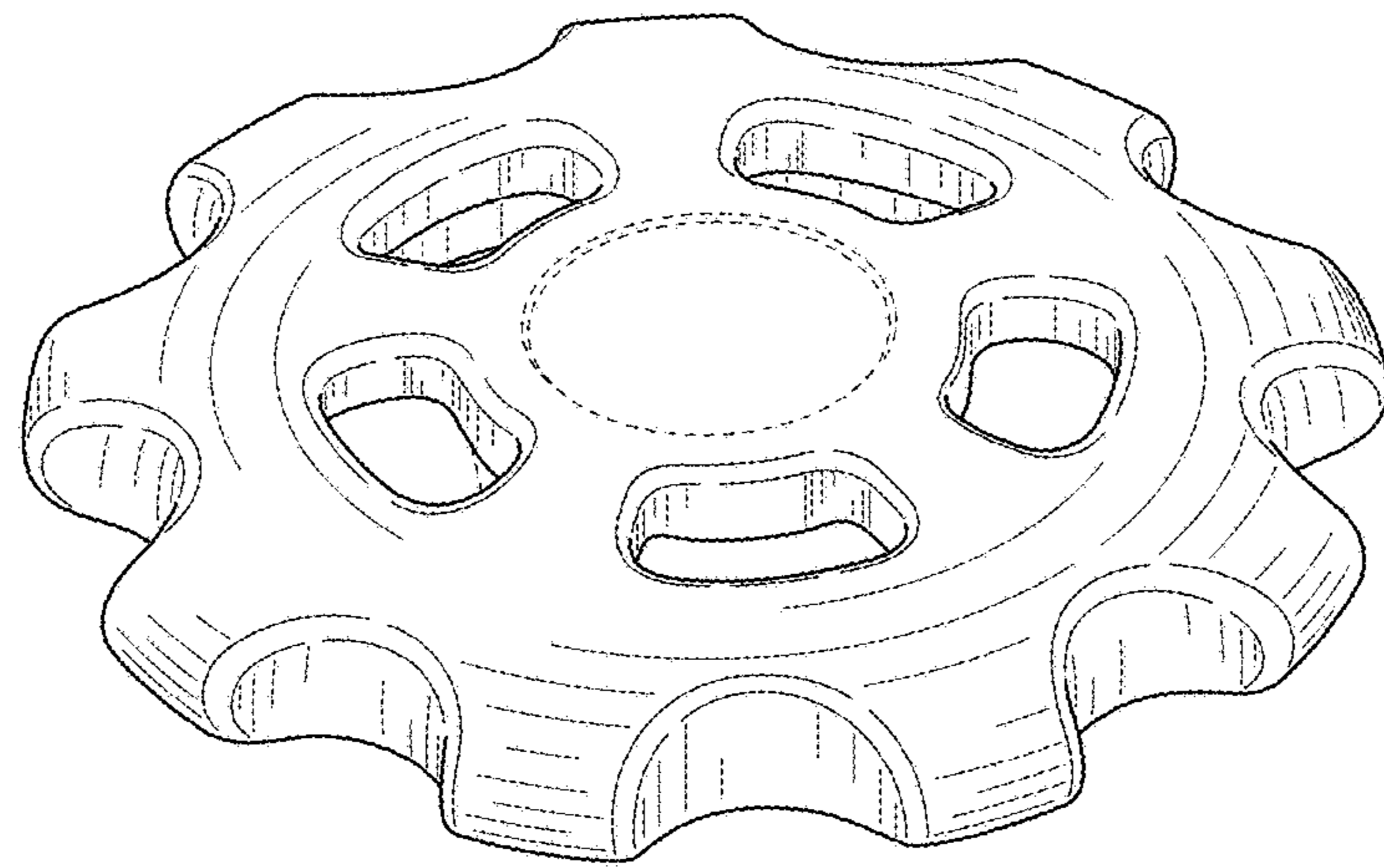


FIG. 1

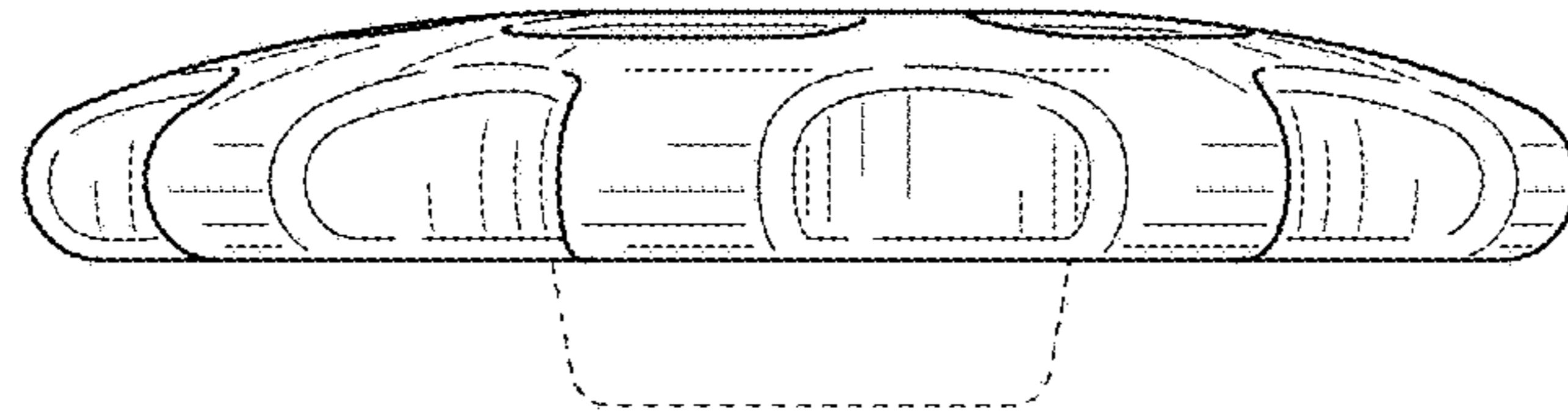


FIG. 2

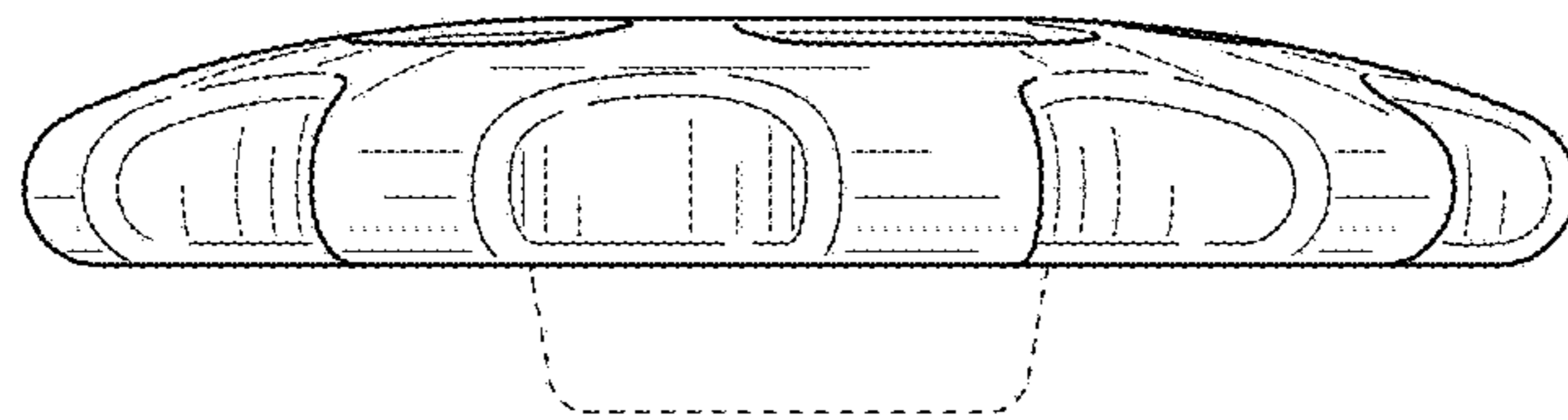


FIG. 3

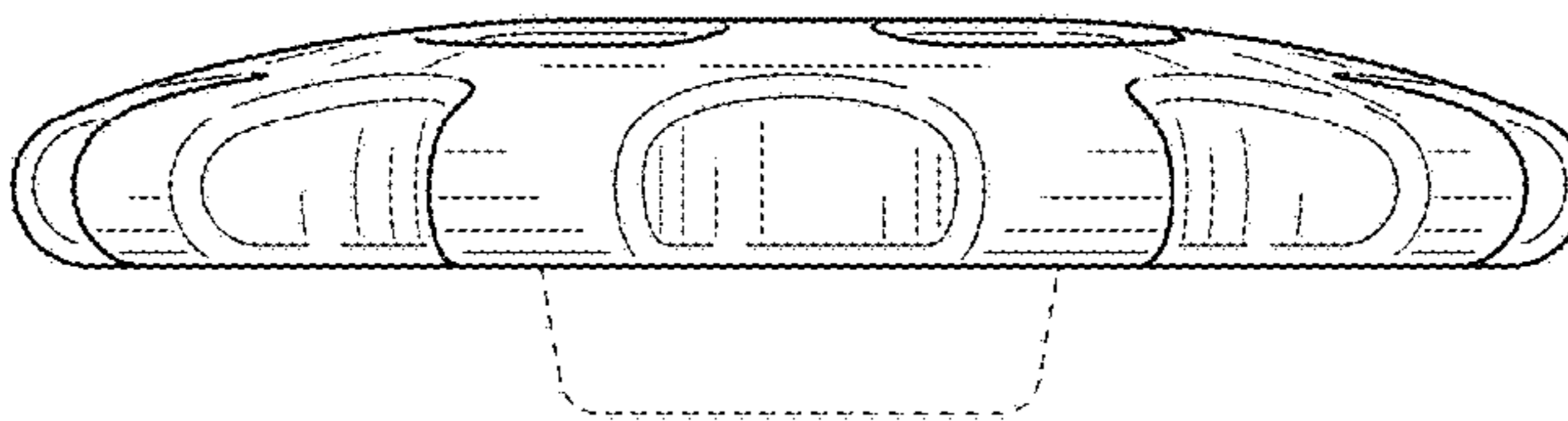


FIG. 4

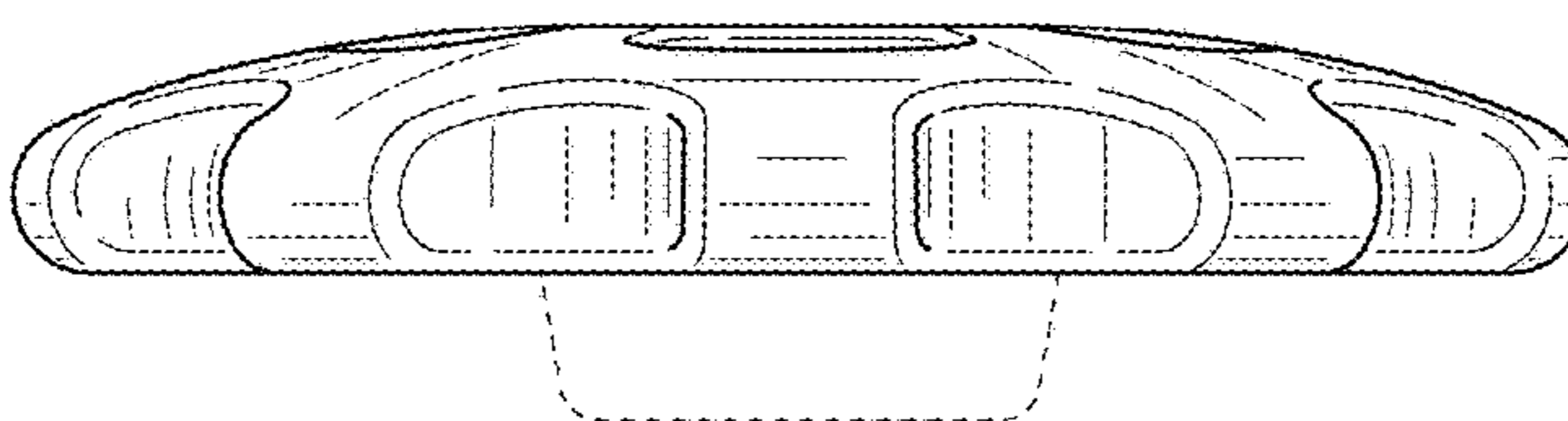


FIG. 5

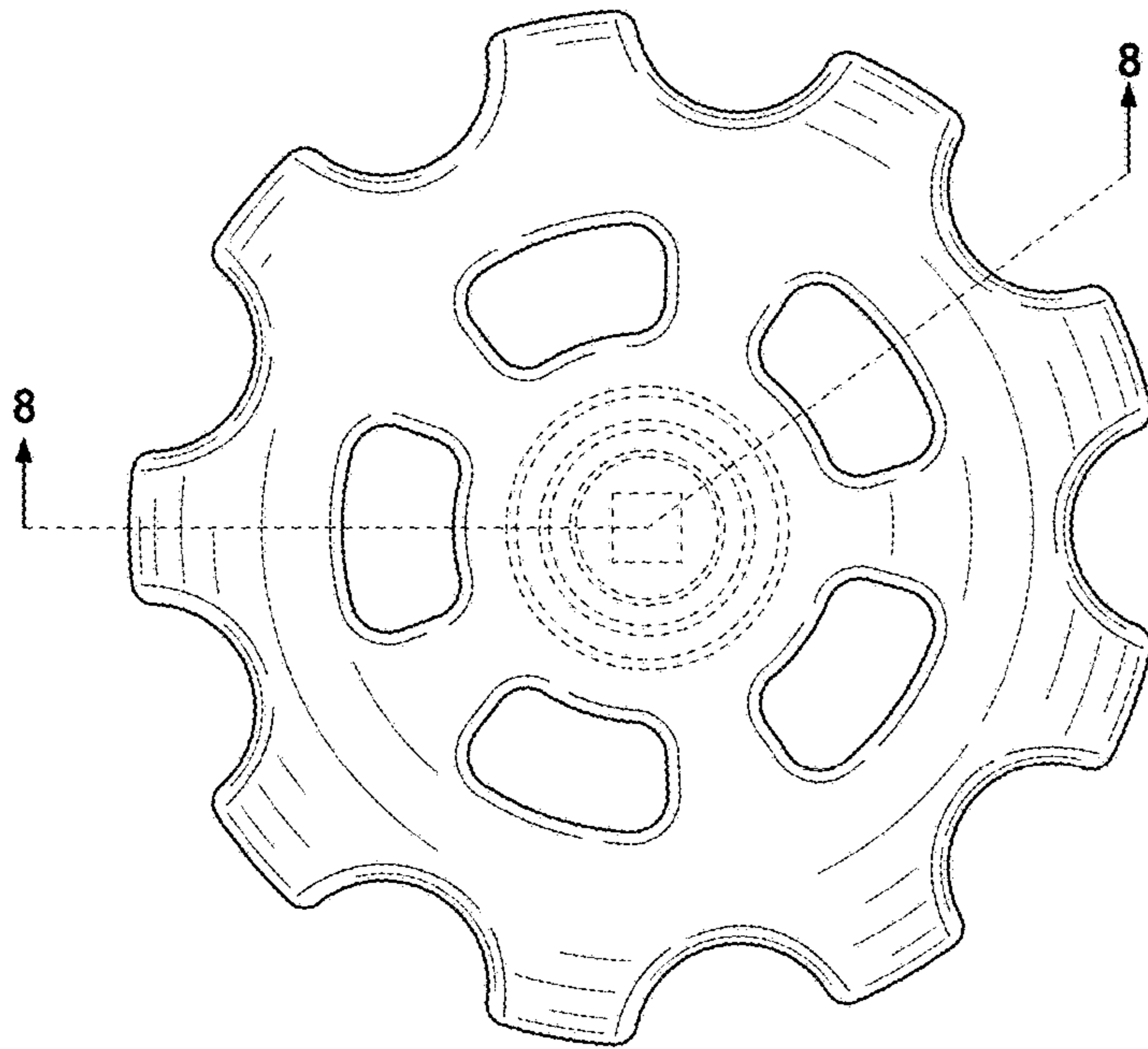


FIG. 6

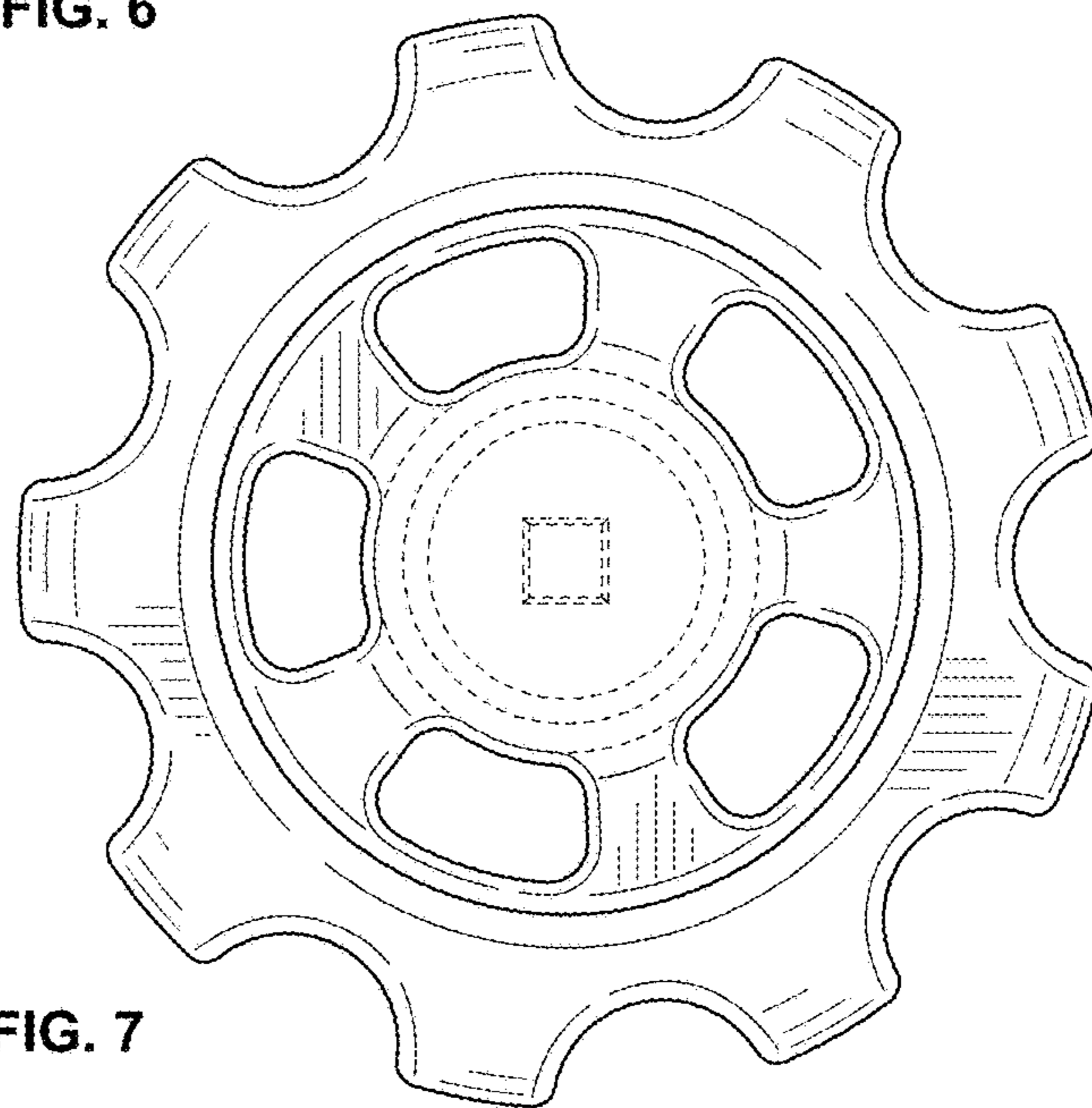


FIG. 7

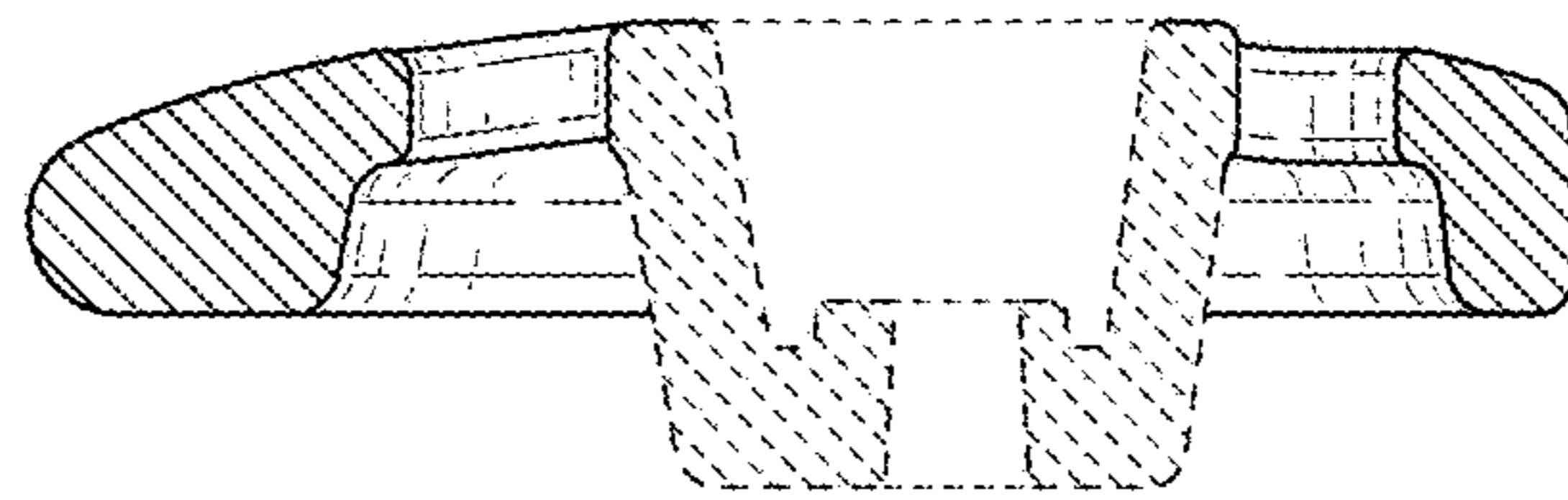


FIG. 8