



US00D841780S

(12) **United States Design Patent** (10) **Patent No.:** **US D841,780 S**  
**Howard et al.** (45) **Date of Patent:** **\*\* Feb. 26, 2019**

(54) **HAND WHEEL**

OTHER PUBLICATIONS

(71) Applicant: **Engineered Controls International, LLC**, Elon, NC (US)  
(72) Inventors: **Jeffrey S. Howard**, Elon, NC (US); **Tracy N. Tickle**, Gibsonville, NC (US)  
(73) Assignee: **ENGINEERED CONTROLS INTERNATIONAL, LLC**, Elon, NC (US)

Rego L-102 Catalog, LP—Gas & Anhydrous Ammonia Equipment, dated at least as early as 2014.  
Rego L-500 Catalog, LP—Gas & Anhydrous Ammonia Equipment, dated at least as early as 2014.  
Rego—Goddard Stainless Steel Globe Valve for Cryogenic Service SK Series, Specification Sheet, dated at least as early as 2014.  
Rego CG-500 Catalog, Cryogenic & Industrial Gas Equipment, dated at least as early as 2014.

\* cited by examiner

(\*\*) Term: **15 Years**

*Primary Examiner* — Cynthia Ramirez

*Assistant Examiner* — Gino Colan

(21) Appl. No.: **29/571,658**

(74) *Attorney, Agent, or Firm* — Neal, Gerber & Eisenberg LLP

(22) Filed: **Jul. 20, 2016**

(51) **LOC (11) Cl.** ..... **23-04**

(52) **U.S. Cl.**  
USPC ..... **D23/253**

(57) **CLAIM**

(58) **Field of Classification Search**  
USPC ..... D23/233–250, 253; D8/300–314;  
137/338

The ornamental design for a hand wheel, as shown and described.

CPC ..... F16K 31/60; F16K 31/605; Y10T 16/484;  
Y10T 74/20834; Y10T 74/20864

**DESCRIPTION**

See application file for complete search history.

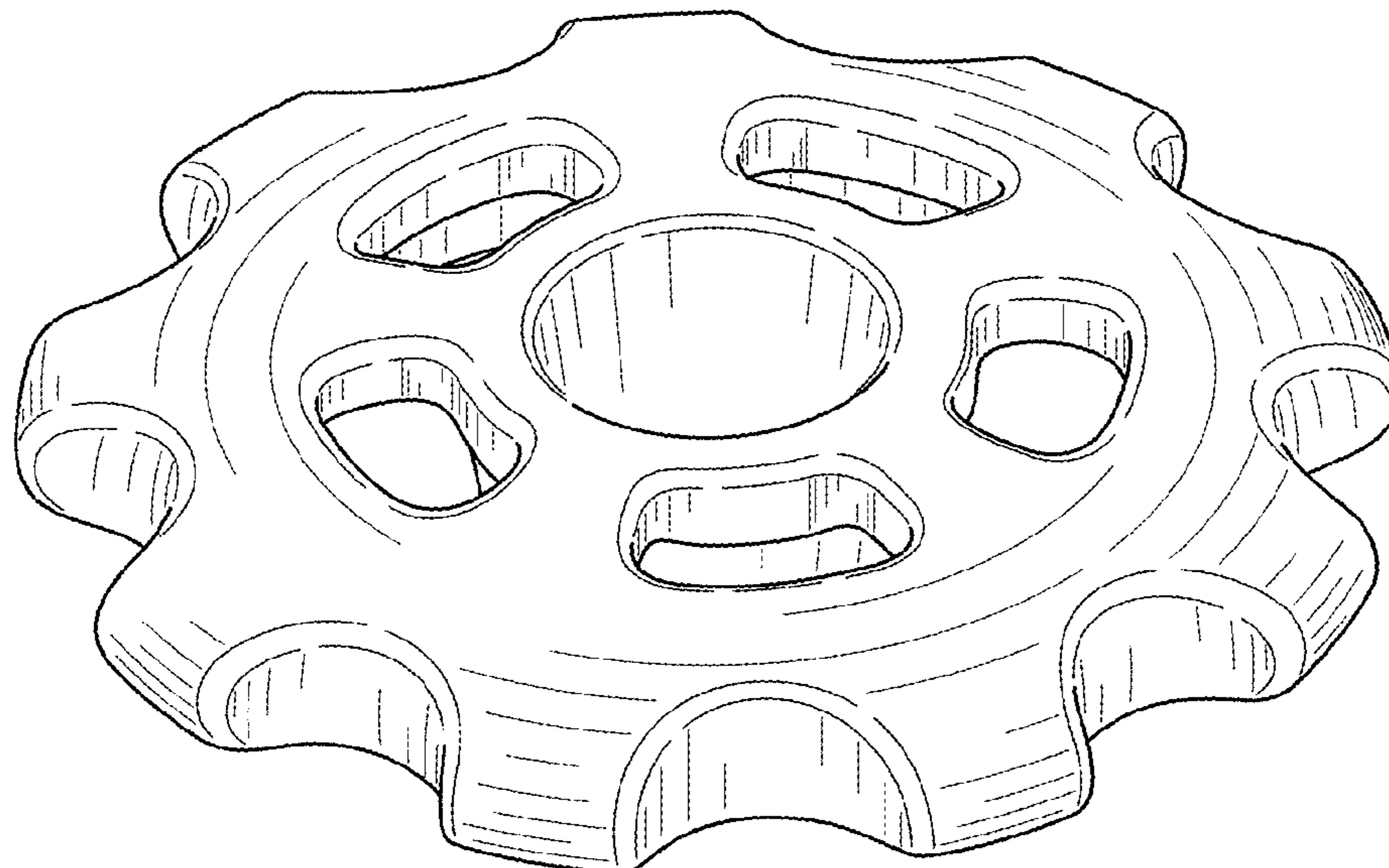
FIG. 1 is a front, right side perspective view of the hand wheel showing our new design;  
FIG. 2 is a front elevational view thereof;  
FIG. 3 is a rear elevational view thereof;  
FIG. 4 is a right side elevational view thereof;  
FIG. 5 is a left side elevational view thereof;  
FIG. 6 is a top plan view thereof;  
FIG. 7 is a bottom plan view thereof; and,  
FIG. 8 is a cross-sectional view along the lines 8-8 in FIG. 6.

(56) **References Cited**

U.S. PATENT DOCUMENTS

1,218,032 A \* 3/1917 Yarnall ..... F16K 31/60  
137/338  
D140,256 S \* 2/1945 Shaeffer ..... 74/557  
D146,674 S \* 4/1947 McManus ..... D23/253  
D153,285 S \* 4/1949 Hinderer ..... D23/253  
D249,803 S \* 10/1978 Okano ..... D23/253  
D274,084 S \* 5/1984 Yanagi ..... D23/253  
D274,087 S \* 5/1984 Yanagi ..... D23/253

**1 Claim, 4 Drawing Sheets**



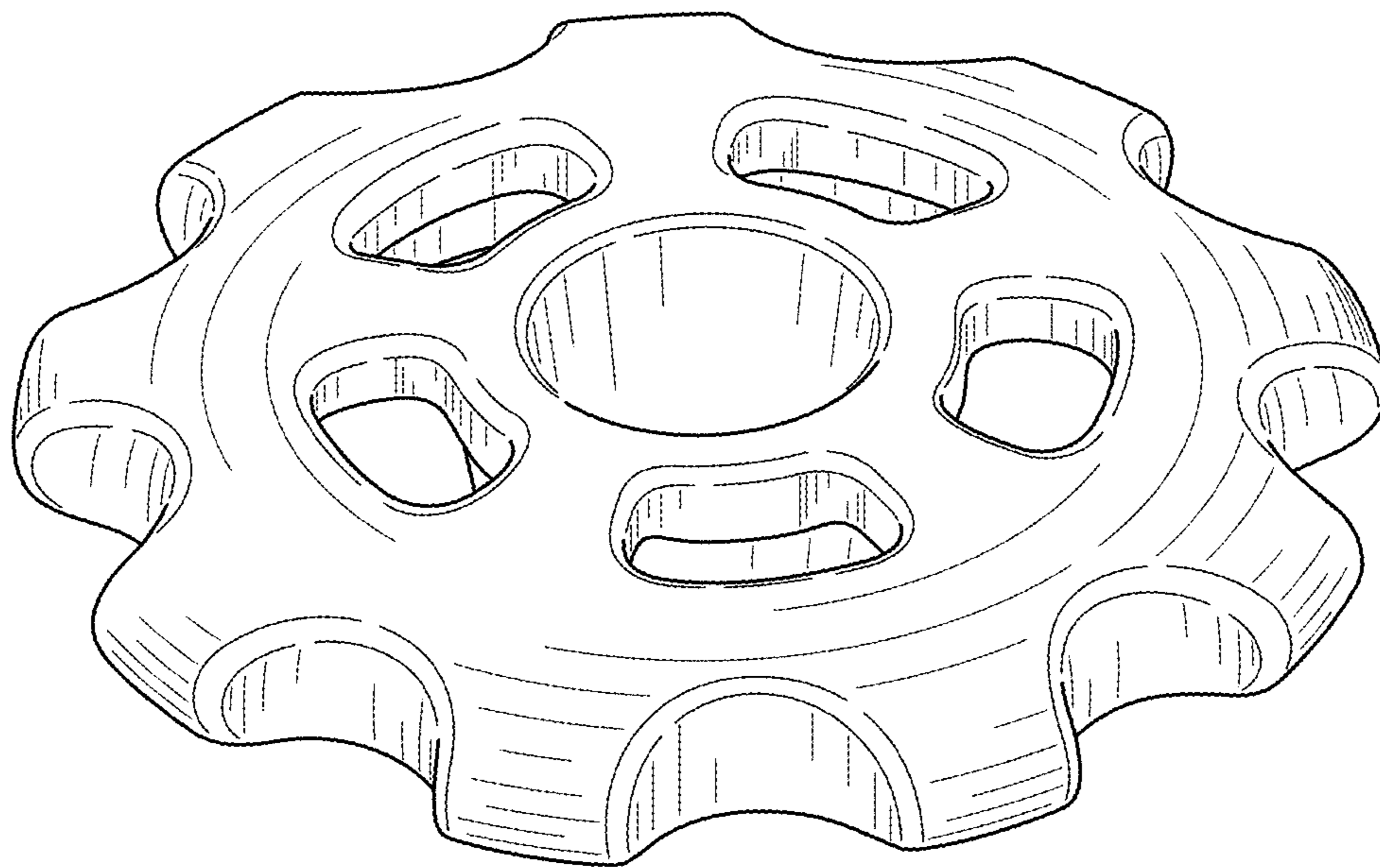


FIG. 1

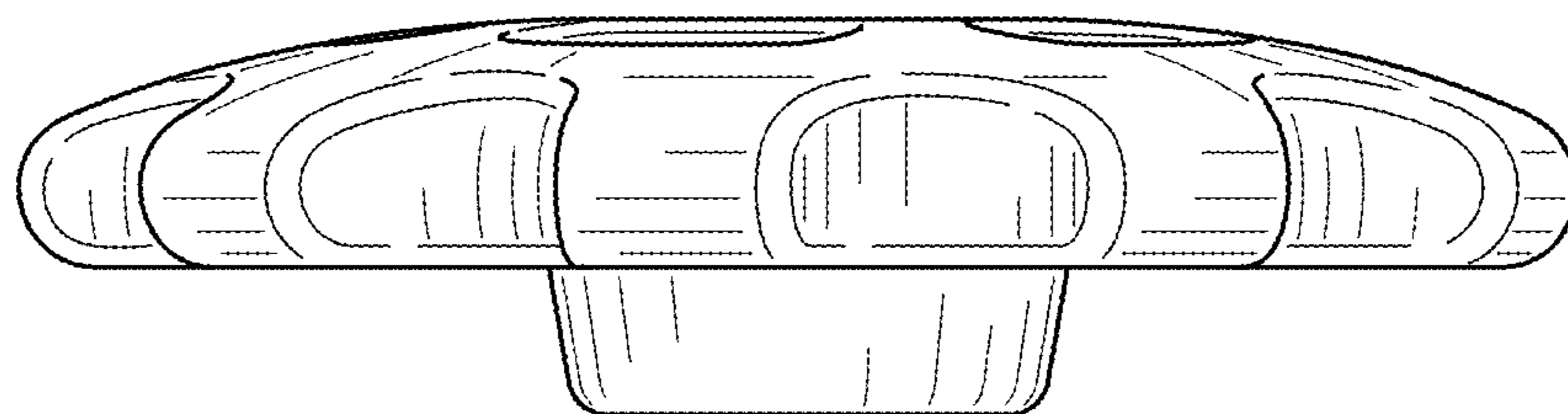


FIG. 2

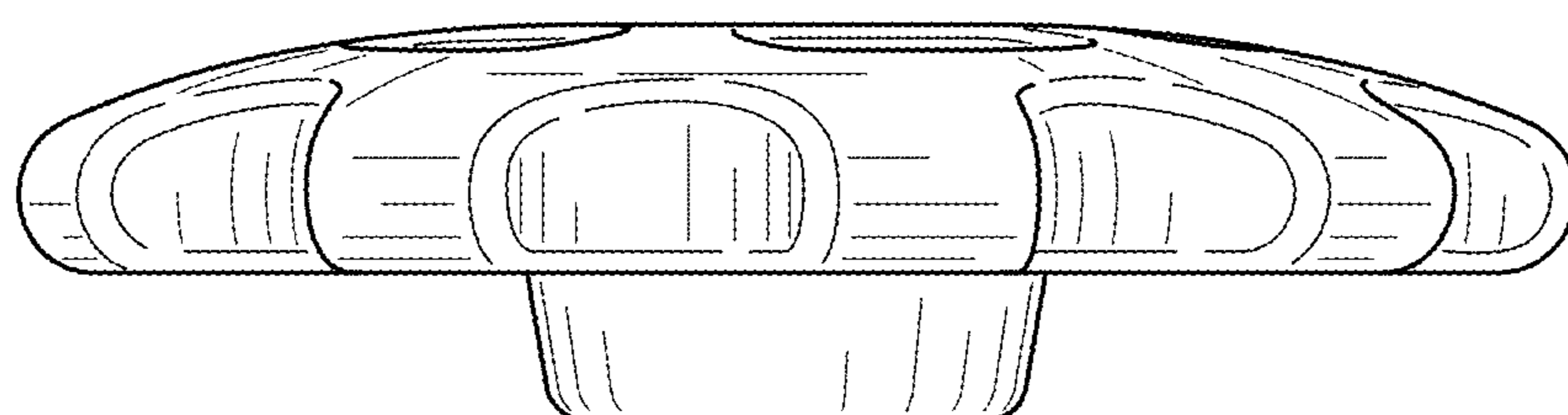


FIG. 3

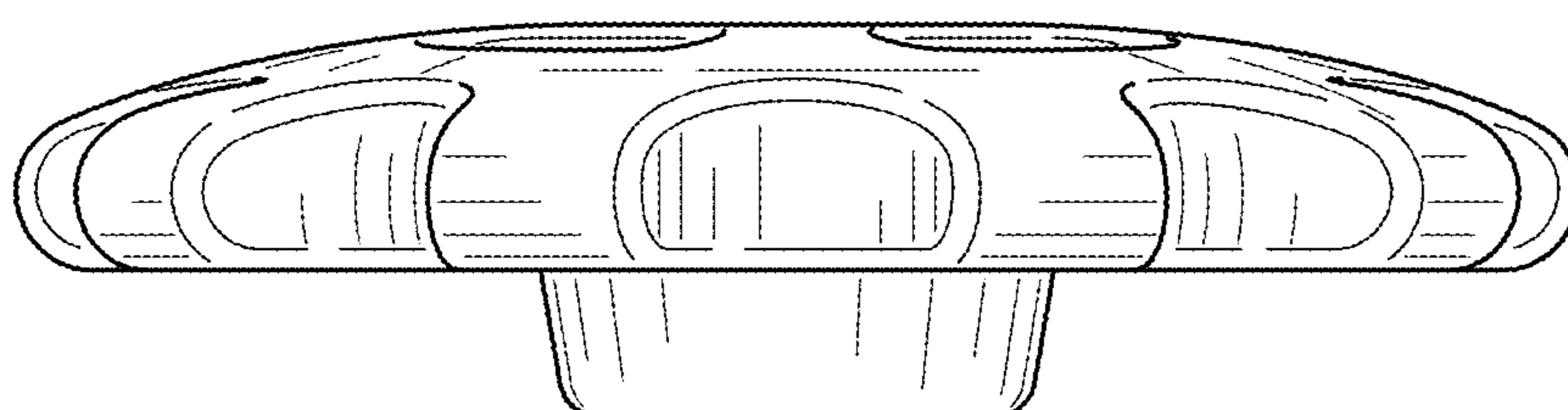


FIG. 4

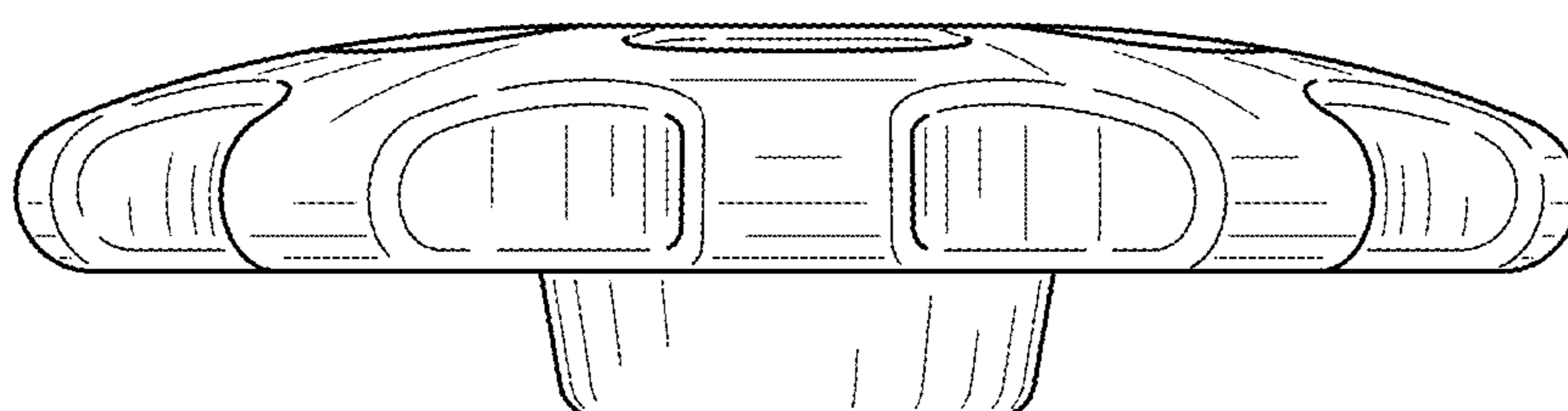


FIG. 5

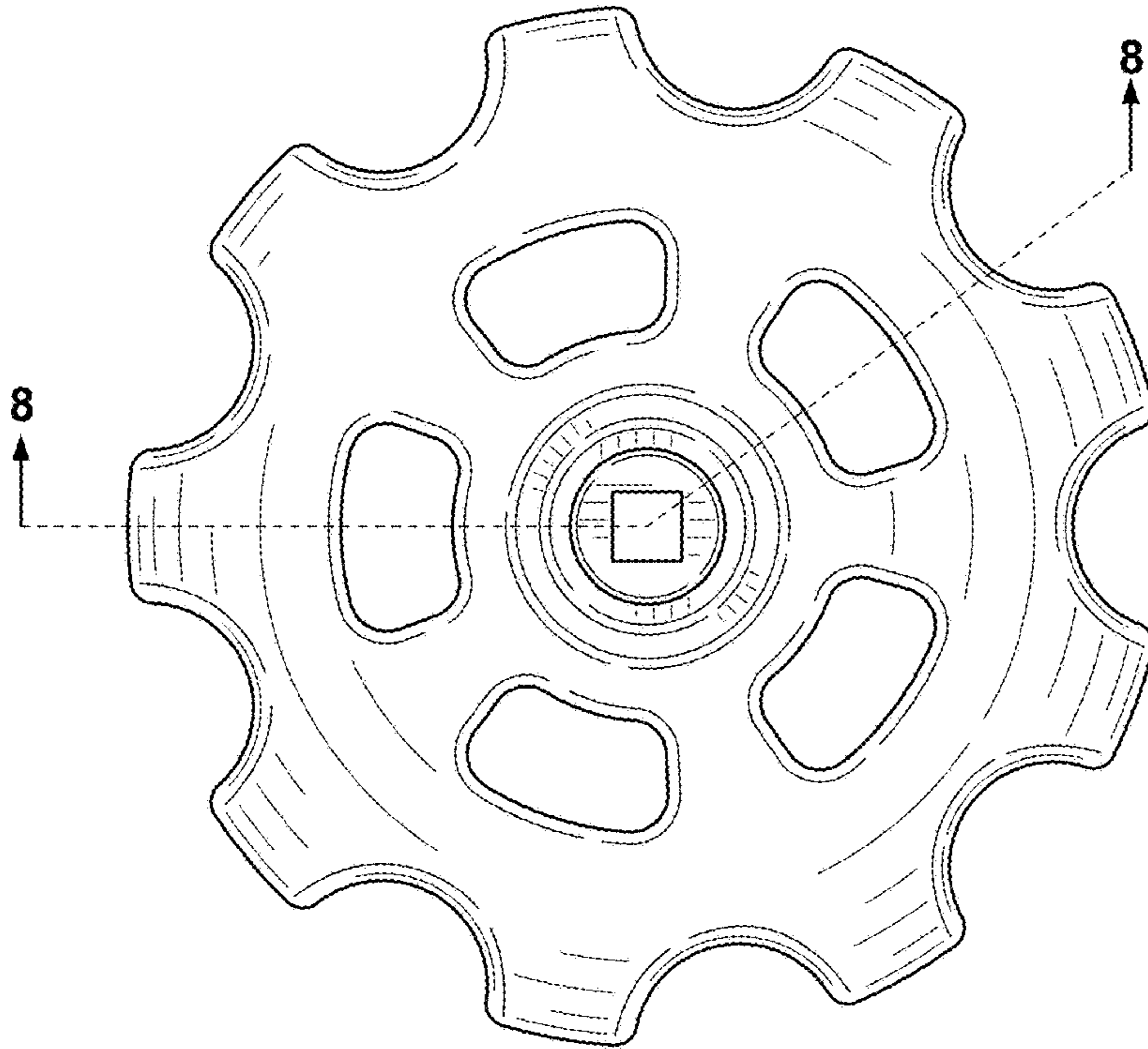


FIG. 6

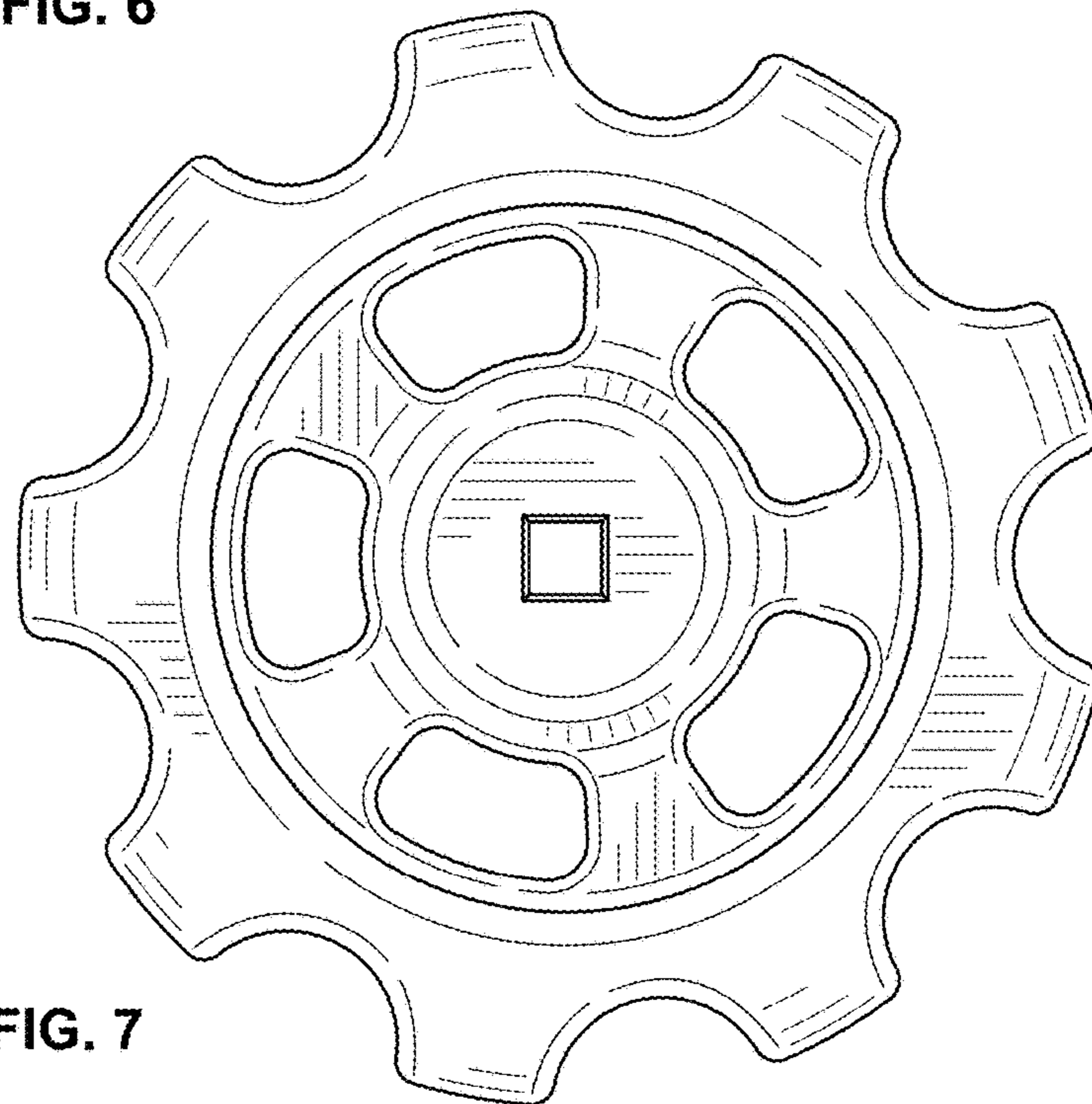


FIG. 7



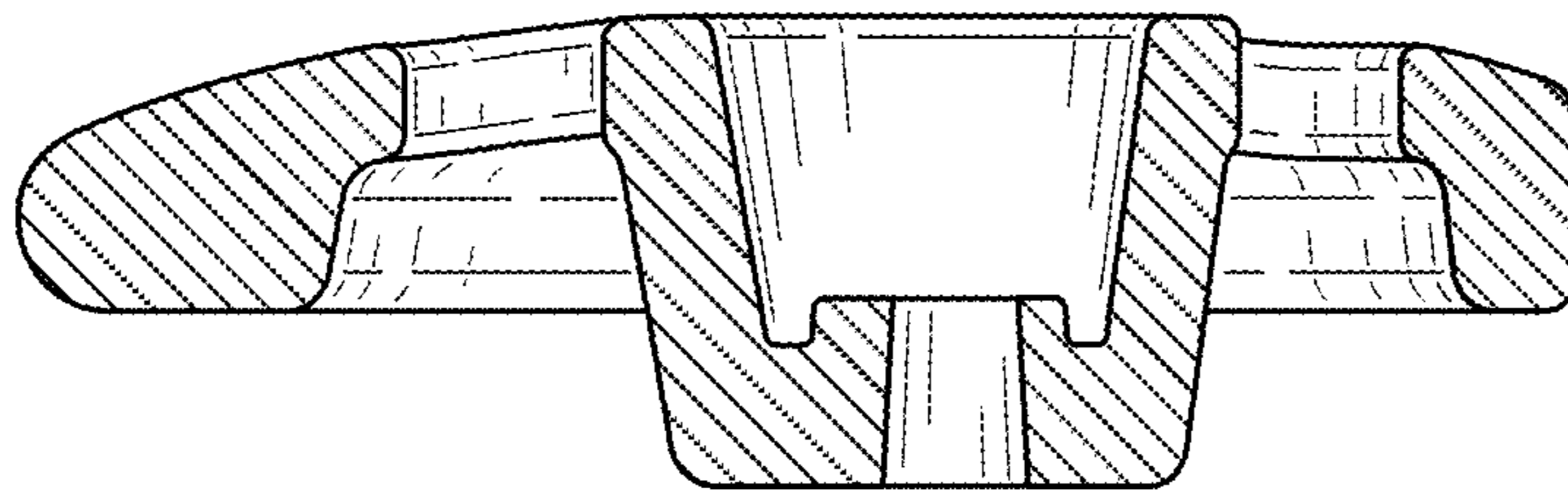


FIG. 8