



US00D841779S

(12) **United States Design Patent** (10) **Patent No.:** **US D841,779 S**
Penkkimäki (45) **Date of Patent:** **** Feb. 26, 2019**

(54) **VALVE INSERT**
(71) Applicant: **WD RACING OY**, Siuro (FI)
(72) Inventor: **Pekka Penkkimäki**, Siuro (FI)
(73) Assignee: **WD RACING OY**, Siuro (FI)
(**) Term: **15 Years**

D750,749 S * 3/2016 Penkkimaki D23/233
D774,571 S * 12/2016 Robertson D15/135
D775,313 S * 12/2016 Penkkimaki D23/233
9,702,472 B2 * 7/2017 Burgett F16K 24/04
D825,721 S * 8/2018 Penkkimaki D23/249
2009/0053354 A1 * 2/2009 Hajdusch B29C 33/10
425/546
2010/0201048 A1 * 8/2010 Penkkimaki B29C 33/10
251/366
2016/0273669 A1 * 9/2016 Burgett F16K 24/04

(21) Appl. No.: **29/621,096**

FOREIGN PATENT DOCUMENTS

(22) Filed: **Oct. 4, 2017**

CN 106246928 A 12/2016
DE 10050195 C1 2/2002
KR 20130004969 U 8/2013

(30) **Foreign Application Priority Data**

* cited by examiner

Apr. 12, 2017 (EP) 003853514-0001

(51) **LOC (11) Cl.** **23-01**

Primary Examiner — Cynthia Ramirez

(52) **U.S. Cl.**

Assistant Examiner — Gino Colan

USPC **D23/249**

(74) *Attorney, Agent, or Firm* — Birch, Stewart, Kolasch & Birch, LLP

(58) **Field of Classification Search**

USPC D23/233–249; 123/188.8, 190.1, 188.2;
251/359, 309, 360, 306, 314, 324, 538,
251/331, 335.2, 315.05; 425/546, 566;
137/233

(57) **CLAIM**

CPC . F16K 1/42; F16K 1/36; F16K 3/0227; F16K
5/0689; F16K 11/044; F16K 7/12; F16K
7/17; F16K 7/16; F16K 41/12; F16K
3/243; F16K 99/0015; F16K 15/207;
B60C 23/0494; B60C 23/0496

The ornamental design for a valve insert, as shown and described.

See application file for complete search history.

DESCRIPTION

(56) **References Cited**

U.S. PATENT DOCUMENTS

D576,254 S * 9/2008 McBroom D23/233
D690,391 S * 9/2013 Garm D23/233
D750,748 S * 3/2016 Penkkimaki D23/233

FIG. 1 is a front elevational view of a valve insert showing my new design;
FIG. 2 is a right side elevational view thereof, the left side being a mirror image thereof;
FIG. 3 is a bottom plan view thereof;
FIG. 4 is a top plan view thereof;
FIG. 5 is a top side perspective view thereof; and,
FIG. 6 is a bottom side perspective view thereof.

1 Claim, 5 Drawing Sheets

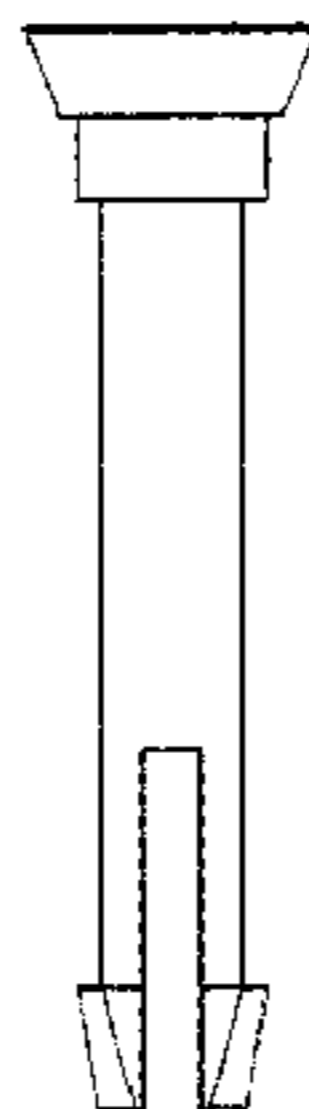


FIG. 1

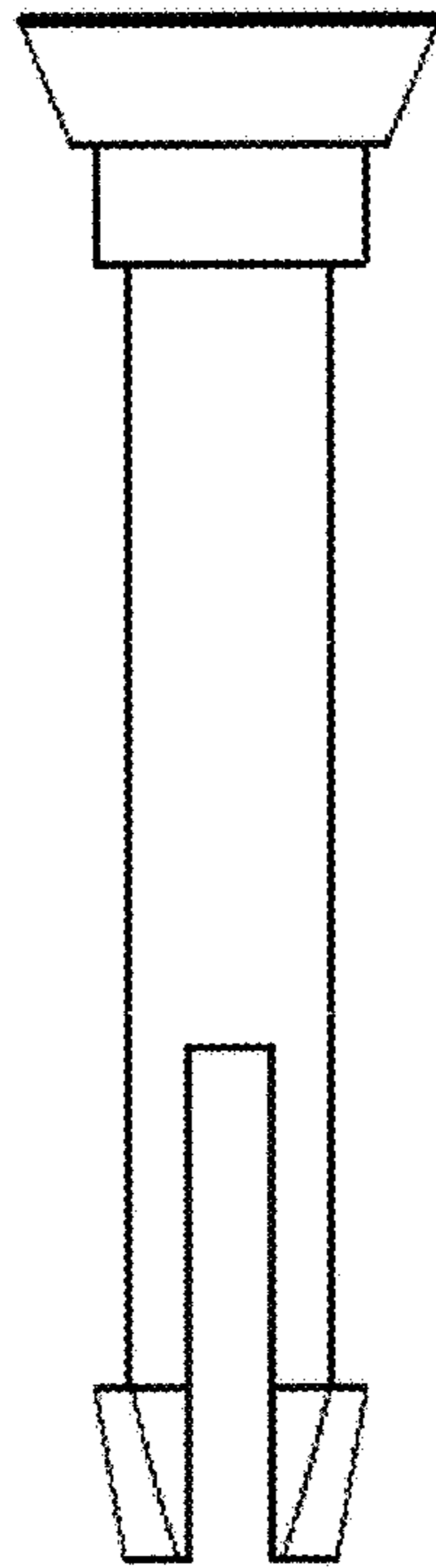


FIG. 2

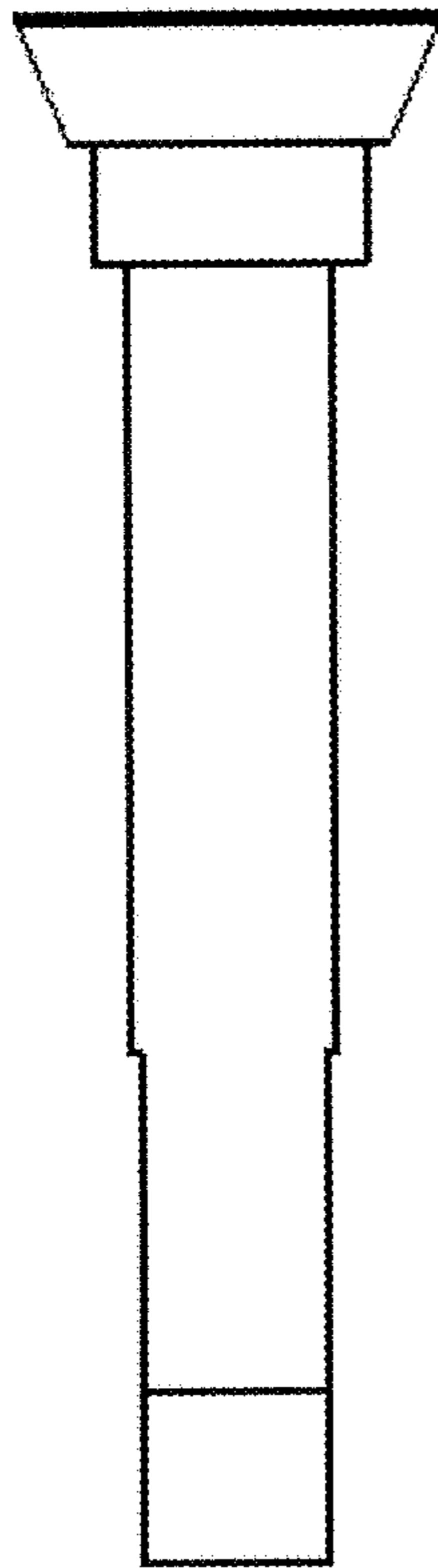


FIG. 3

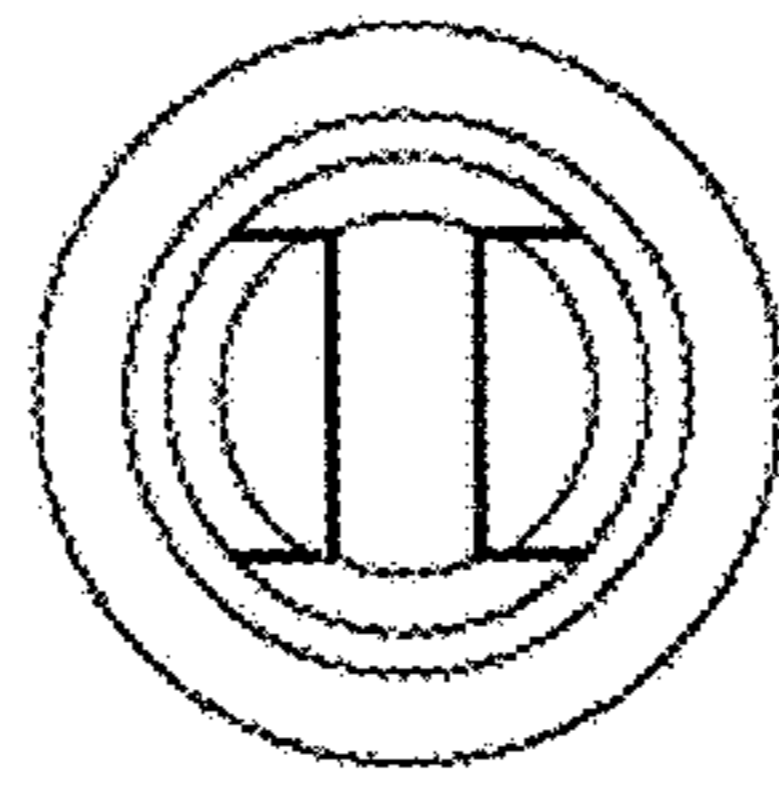


FIG. 4

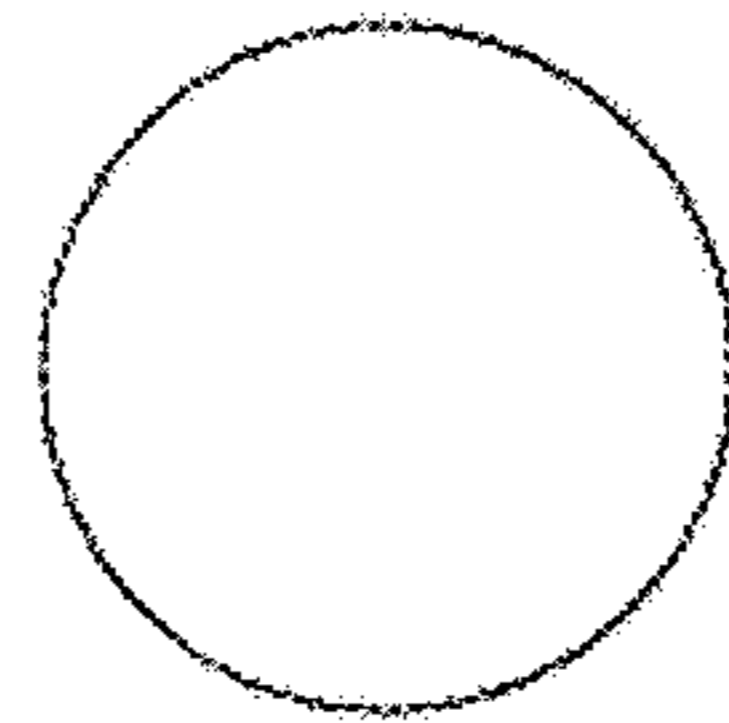


FIG. 5

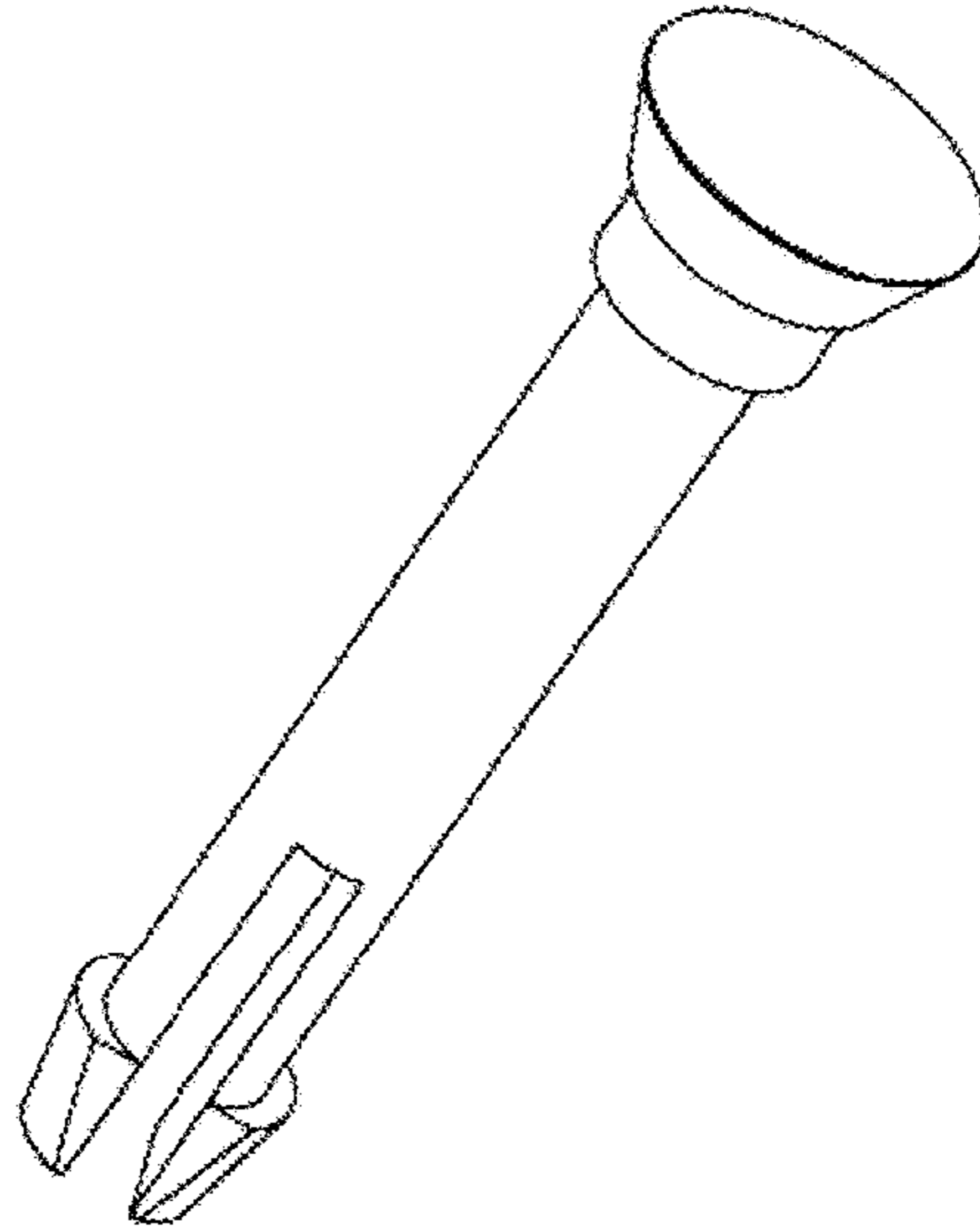


FIG. 6

