



US00D841777S

(12) **United States Design Patent** (10) **Patent No.:** **US D841,777 S**  
**Ruan** (45) **Date of Patent:** **\*\* Feb. 26, 2019**

(54) **SHOWER HEAD KIT**  
(71) Applicant: **ZHEJIANG COFE SANITARY WARE CO., LTD.**, Taizhou, Zhejiang Province (CN)  
(72) Inventor: **Xianfu Ruan**, Taizhou (CN)  
(73) Assignee: **ZHEJIANG COFE SANITARY WARE CO., LTD.**, Taizhou, Zhejiang Province (CN)

D541,394 S \* 4/2007 Toyohara ..... D23/304  
D542,395 S \* 5/2007 Bosio ..... D23/304  
D550,337 S \* 9/2007 Stein ..... D23/304  
D561,313 S \* 2/2008 Kolin ..... D23/304  
D575,846 S \* 8/2008 Lobermeier ..... D23/228  
D592,294 S \* 5/2009 Zetsche ..... D23/304  
D612,011 S \* 3/2010 Cummings ..... D23/228  
D616,066 S \* 5/2010 Cummings ..... D23/228  
D719,640 S \* 12/2014 Yu ..... D23/228  
D768,821 S \* 10/2016 Flowers ..... D23/228  
D787,018 S \* 5/2017 Tseng ..... A47K 3/28  
D23/228  
D787,635 S \* 5/2017 Tseng ..... A47K 3/28  
D23/228

(\*\*) Term: **15 Years**

\* cited by examiner

(21) Appl. No.: **29/614,437**

*Primary Examiner* — Robin V Webster

(22) Filed: **Aug. 18, 2017**

(74) *Attorney, Agent, or Firm* — Tim Tingkang Xia, Esq.;  
Locke Lord LLP

(30) **Foreign Application Priority Data**

Feb. 23, 2017 (CN) ..... 2017 3 0048724

(51) **LOC (11) Cl.** ..... **23-01**

(52) **U.S. Cl.**  
USPC ..... **D23/228**

(58) **Field of Classification Search**  
USPC ..... D23/213, 228, 304; 4/570, 612, 614  
CPC ..... A47K 7/00; A47K 3/281; A47K 3/283;  
A47K 3/284; A47K 3/285; A47K 3/28;  
A47K 2003/907; B05B 1/185  
See application file for complete search history.

(56) **References Cited**

U.S. PATENT DOCUMENTS

D228,498 S \* 10/1973 Ritzenthaler ..... D23/228  
5,678,258 A \* 10/1997 Healy ..... A47K 3/28  
4/601  
6,973,682 B2 \* 12/2005 Zhadanov ..... A47K 3/28  
4/567

(57) **CLAIM**

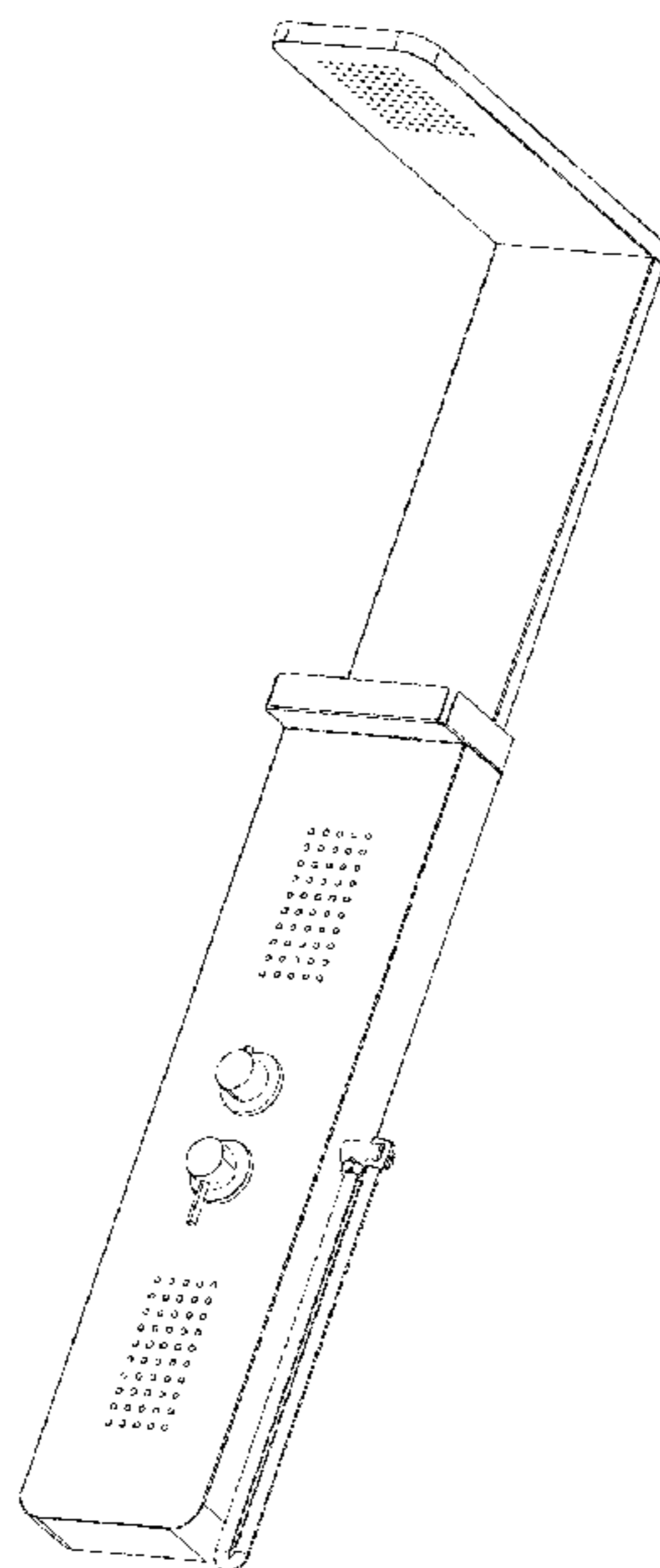
The ornamental design for a shower head kit, as shown and described.

**DESCRIPTION**

FIG. 1 is a front elevation view of a shower head kit according to my new design;  
FIG. 2 is a rear elevation view thereof;  
FIG. 3 is a left side elevation view thereof;  
FIG. 4 is a right side elevation view thereof;  
FIG. 5 is a top plan view thereof;  
FIG. 6 is a bottom plan view thereof; and,  
FIG. 7 is a perspective view thereof.

The broken lines showing of a shower head kit are for the purpose of illustrating environmental structures of the shower head kit and form no part of the claimed design.

**1 Claim, 7 Drawing Sheets**



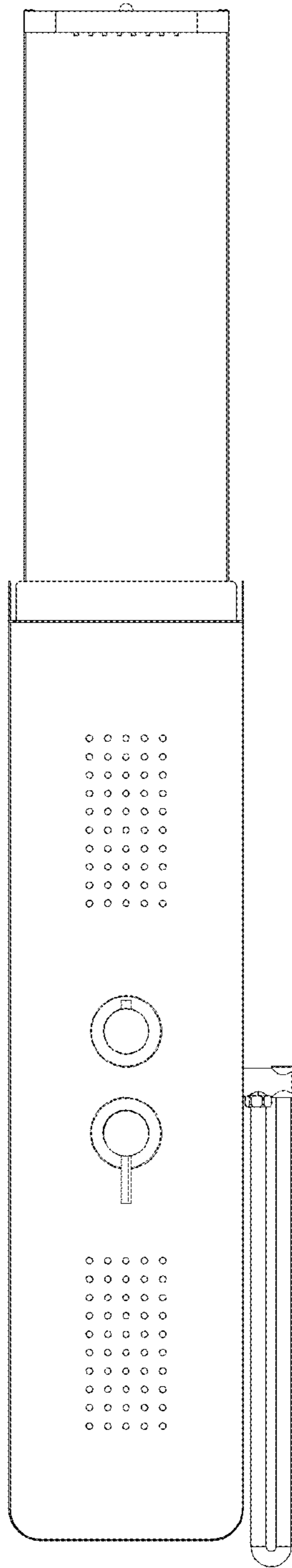


FIG. 1

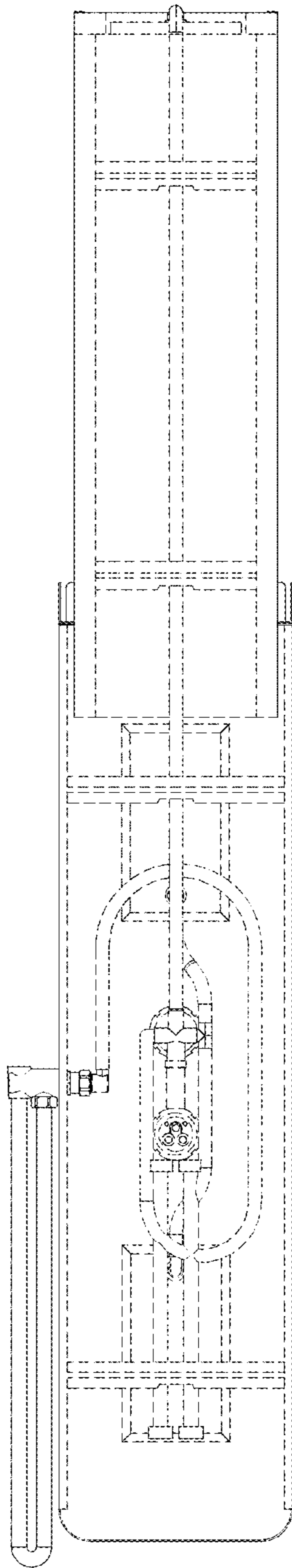


FIG. 2

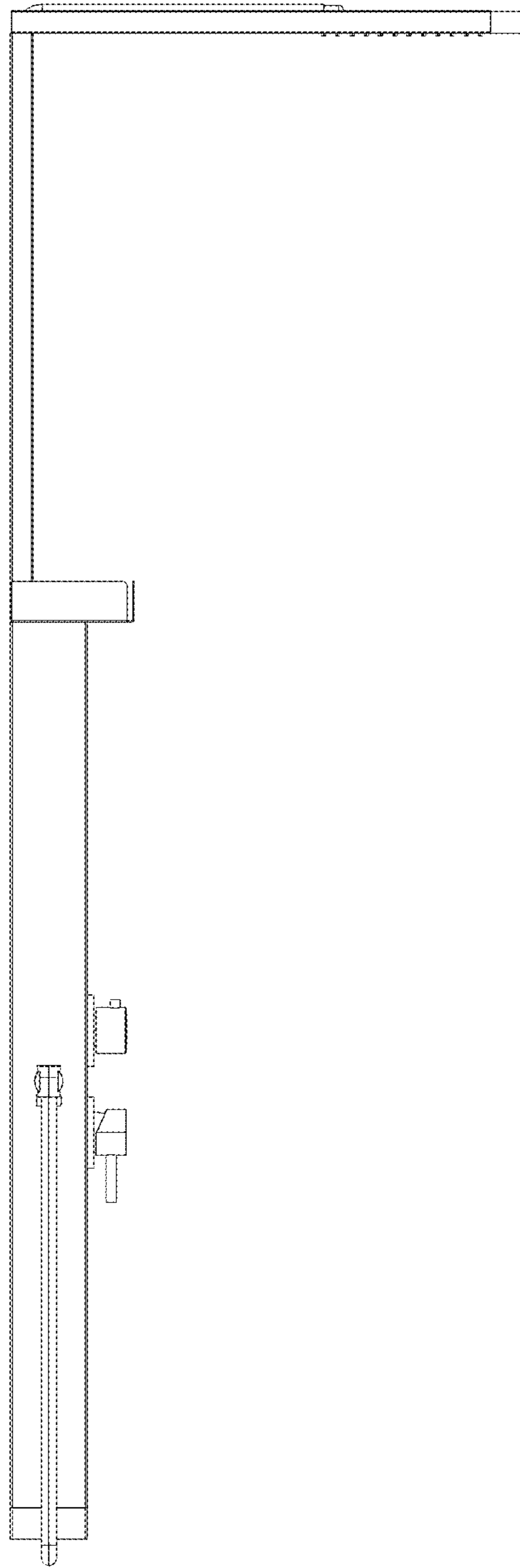


FIG. 3

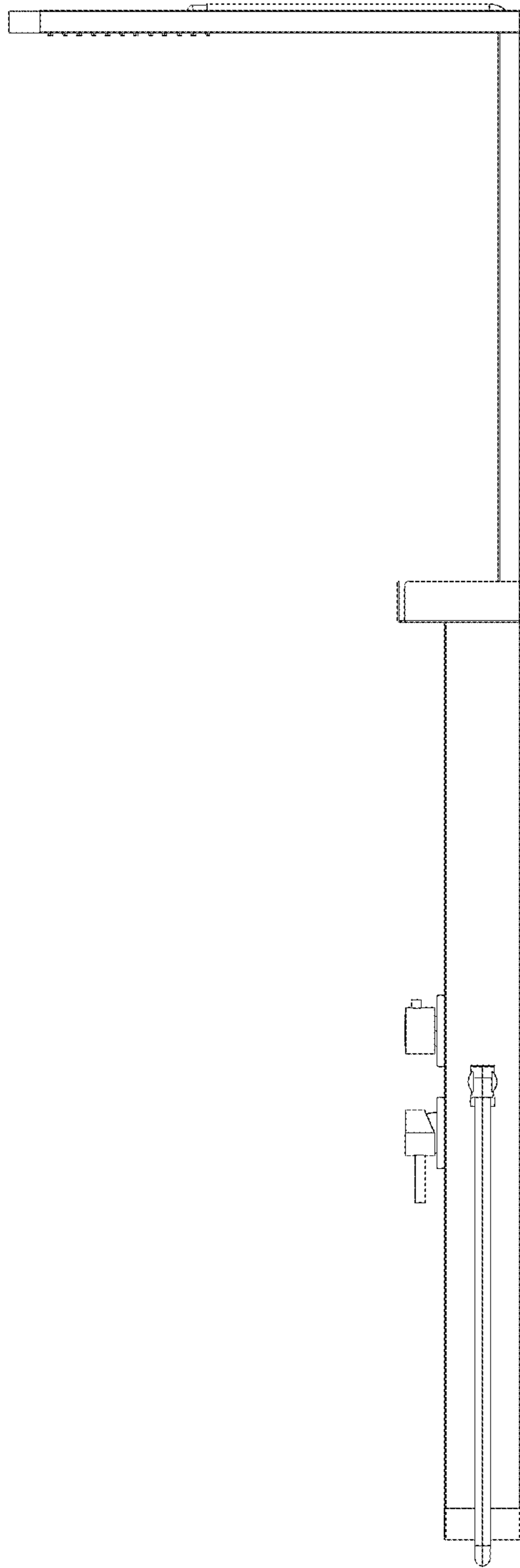


FIG. 4

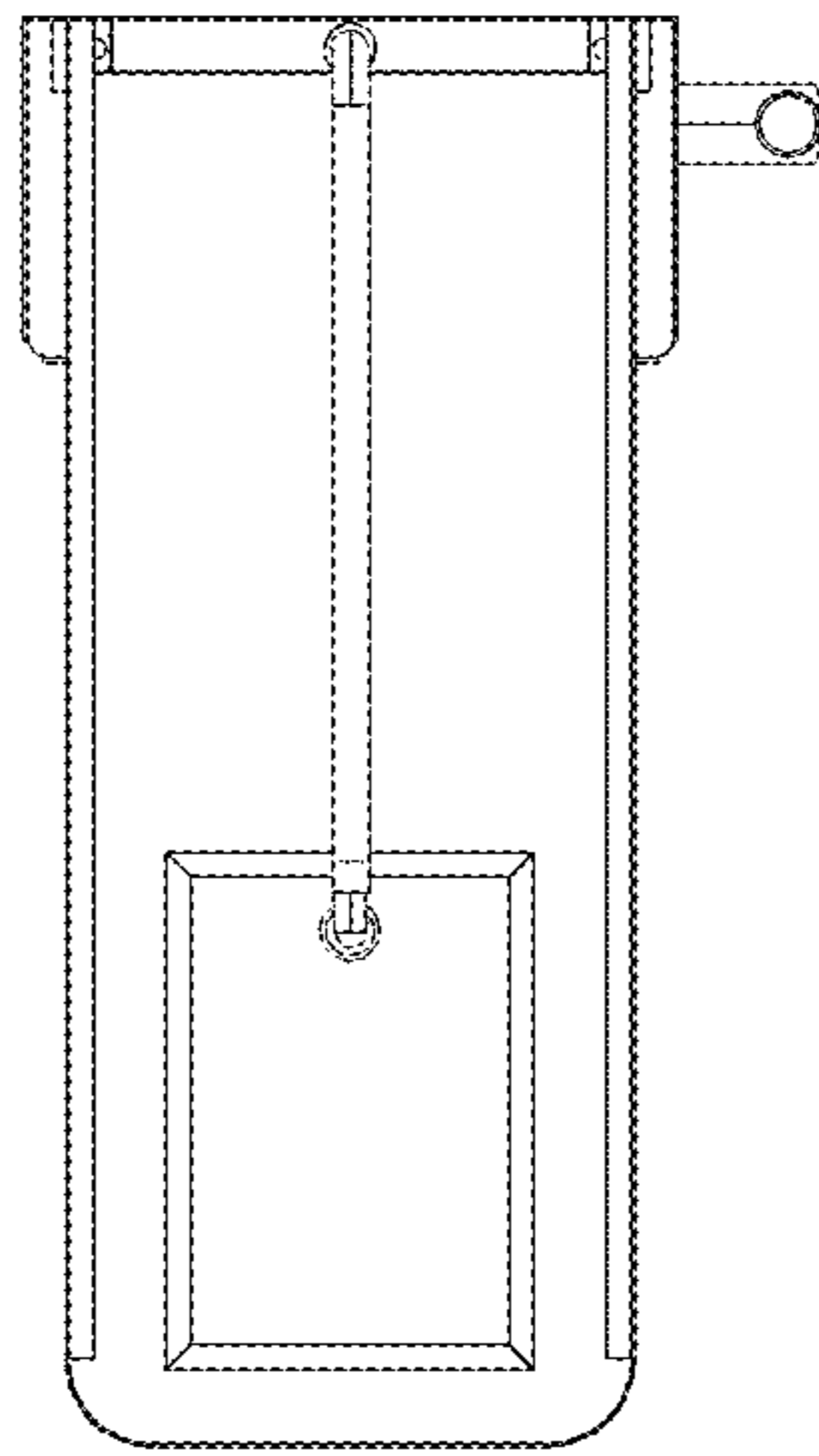


FIG. 5

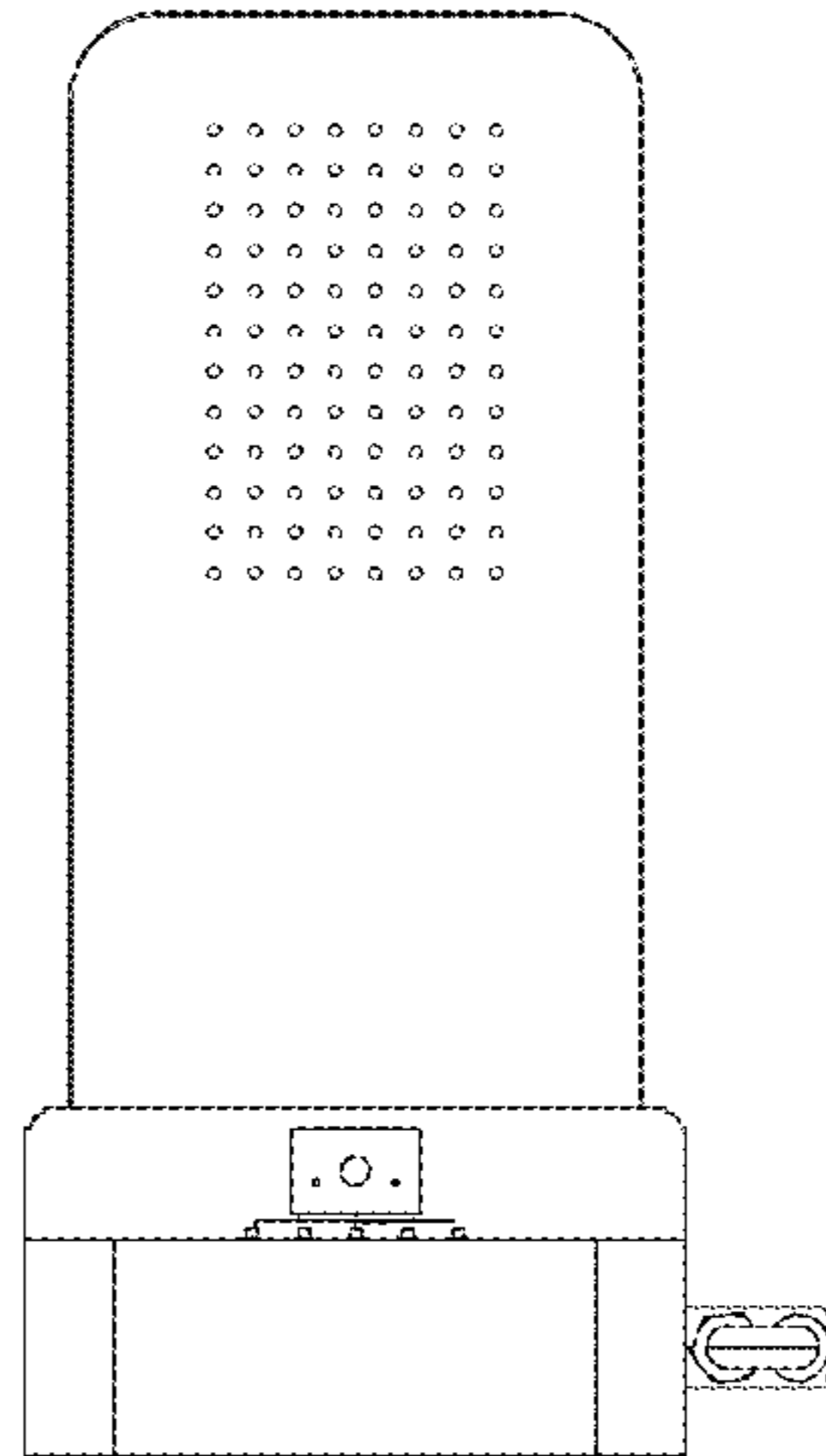


FIG. 6

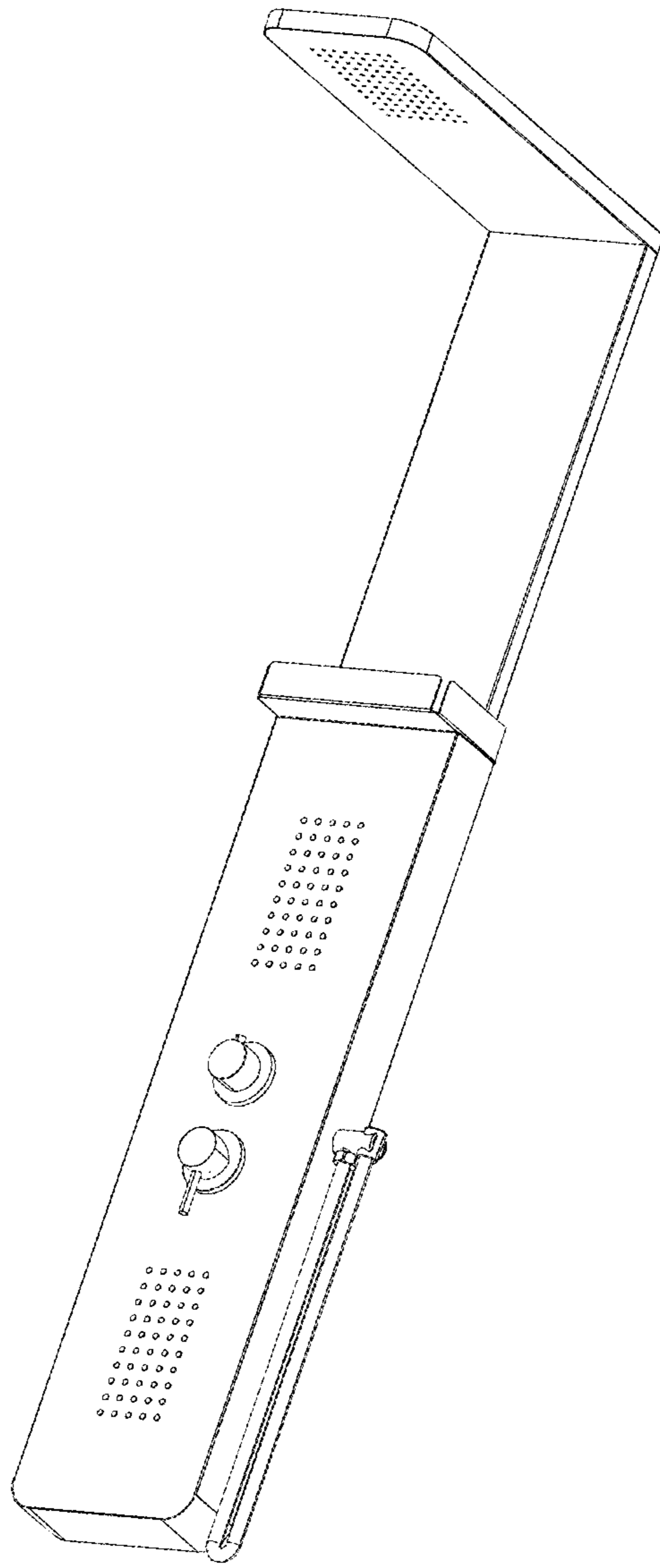


FIG. 7