



US00D841774S

(12) **United States Design Patent**
Ghoshal et al.

(10) **Patent No.:** **US D841,774 S**

(45) **Date of Patent:** **** Feb. 26, 2019**

- (54) **HOUSEHOLD APPLIANCE**
- (71) Applicant: **mittemitte GmbH**, Berlin (DE)
- (72) Inventors: **Fabian Arun Ghoshal**, Berlin (DE);
Benjamin Alexander Beck, Berlin (DE)
- (**) Term: **15 Years**
- (21) Appl. No.: **29/617,631**
- (22) Filed: **Sep. 15, 2017**
- (51) **LOC (11) Cl.** **23-01**
- (52) **U.S. Cl.**
USPC **D23/207**
- (58) **Field of Classification Search**
USPC D23/207, 209; D7/306, 309; 210/241,
210/435
CPC B01D 35/30; B01D 35/14; B01D 35/0276;
B01D 35/027
See application file for complete search history.

D727,460 S *	4/2015	Collins	D23/207
D737,090 S *	8/2015	Long	D23/207
D738,150 S *	9/2015	Polaski	D7/300
D769,407 S *	10/2016	Lee	D23/207
D771,769 S *	11/2016	Pin	D23/207
D774,819 S *	12/2016	Silverio	D7/306
D777,498 S *	1/2017	Bandixen	D7/306
D779,630 S *	2/2017	Wei	D23/207
D782,242 S *	3/2017	Lee	D7/306
D803,612 S *	11/2017	Byun	D7/309
D807,473 S *	1/2018	Wei	D23/207
D822,154 S *	7/2018	Lee	D23/207

* cited by examiner

Primary Examiner — Robin V Webster

(74) *Attorney, Agent, or Firm* — JMB Davis Ben-David

(57) **CLAIM**

The ornamental design for a household appliance, as shown and described.

DESCRIPTION

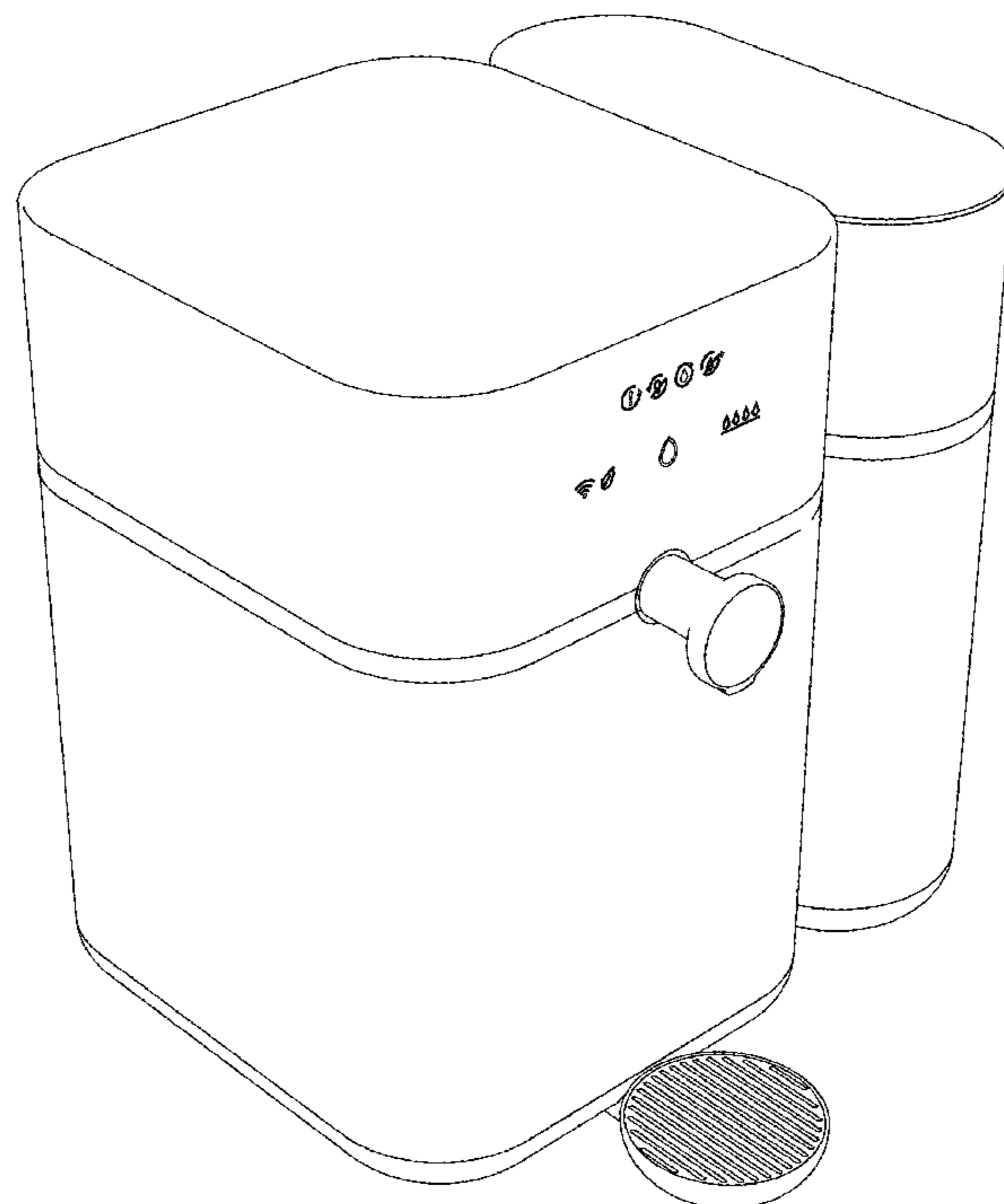
FIG. 1 shows a front view of a household appliance;
 FIG. 2 is a right-side view thereof;
 FIG. 3 is a left-side view thereof;
 FIG. 4 is a back view thereof;
 FIG. 5 is a top view thereof;
 FIG. 6 is a bottom-left perspective view thereof;
 FIG. 7 is a top-left perspective view thereof;
 FIG. 8 is a top-right perspective view thereof; and,
 FIG. 9 is a bottom-right perspective view thereof.

1 Claim, 9 Drawing Sheets

(56) **References Cited**

U.S. PATENT DOCUMENTS

D417,254 S *	11/1999	Daws	D23/209
D514,371 S *	2/2006	Yang	D7/306
D671,191 S *	11/2012	Lin	D23/207
D682,387 S *	5/2013	Tseng	D23/207
D697,356 S *	1/2014	Choi	D23/207
D726,478 S *	4/2015	Cahen	D7/306



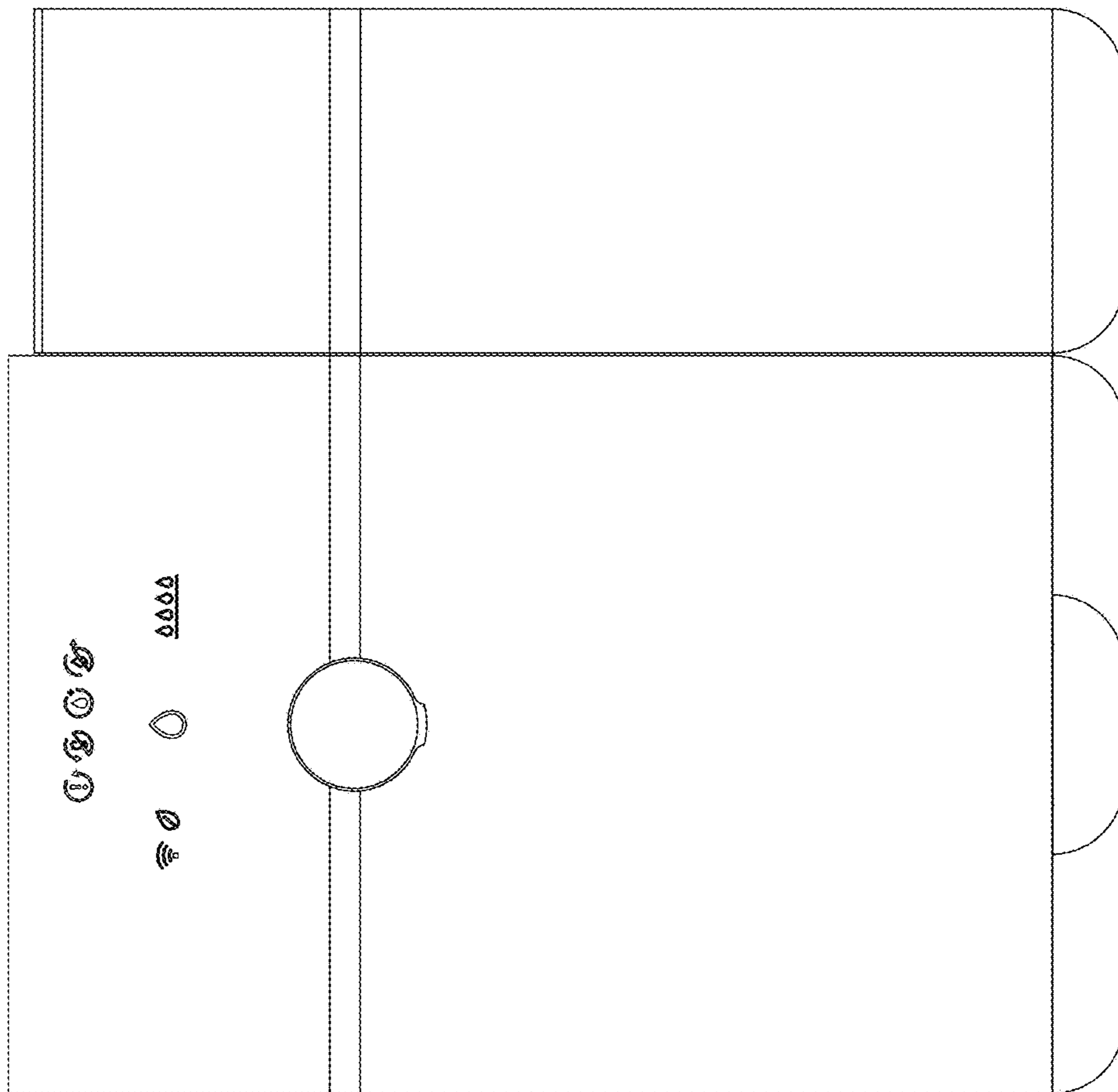


Fig. 1

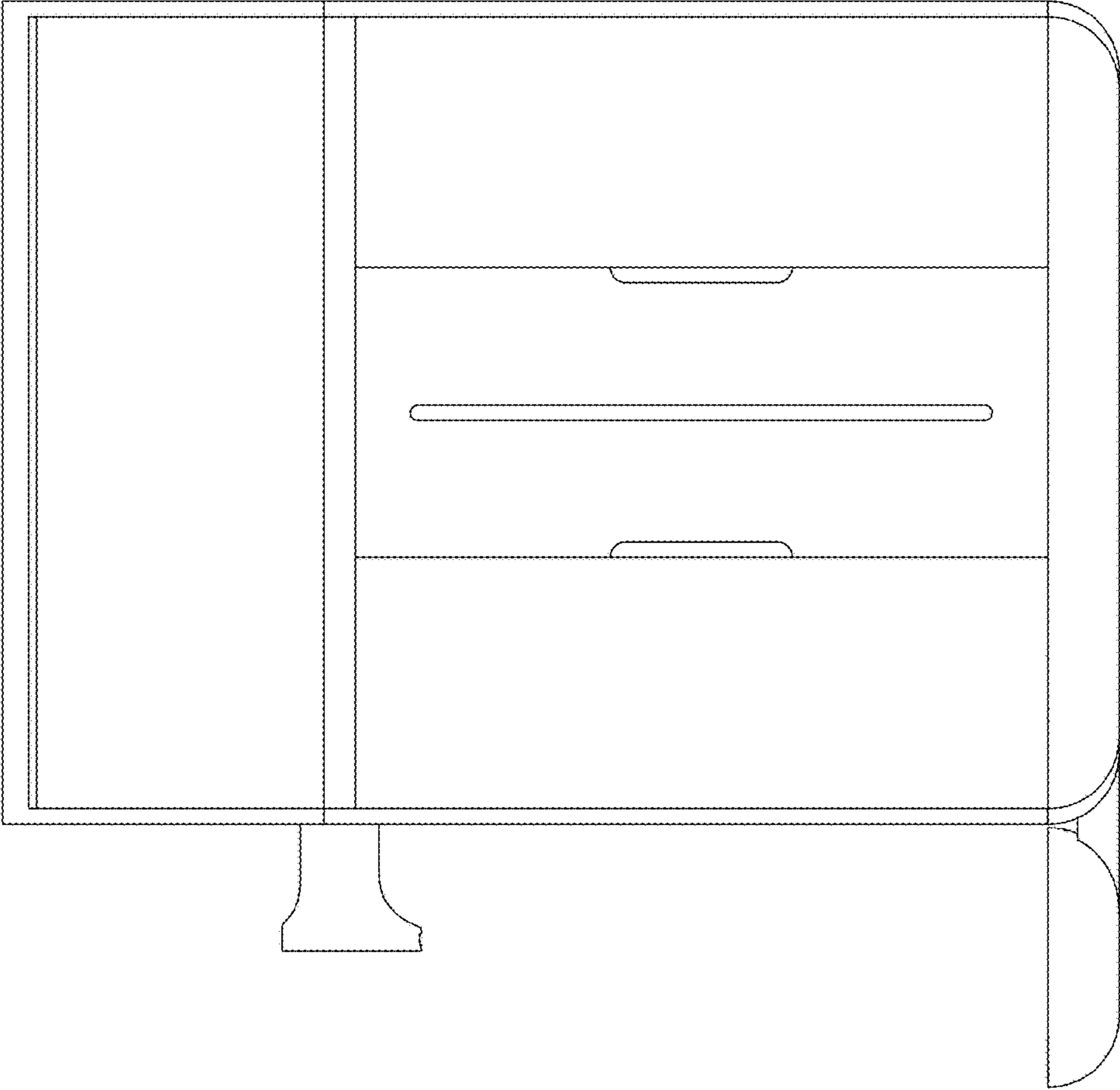


Fig. 2

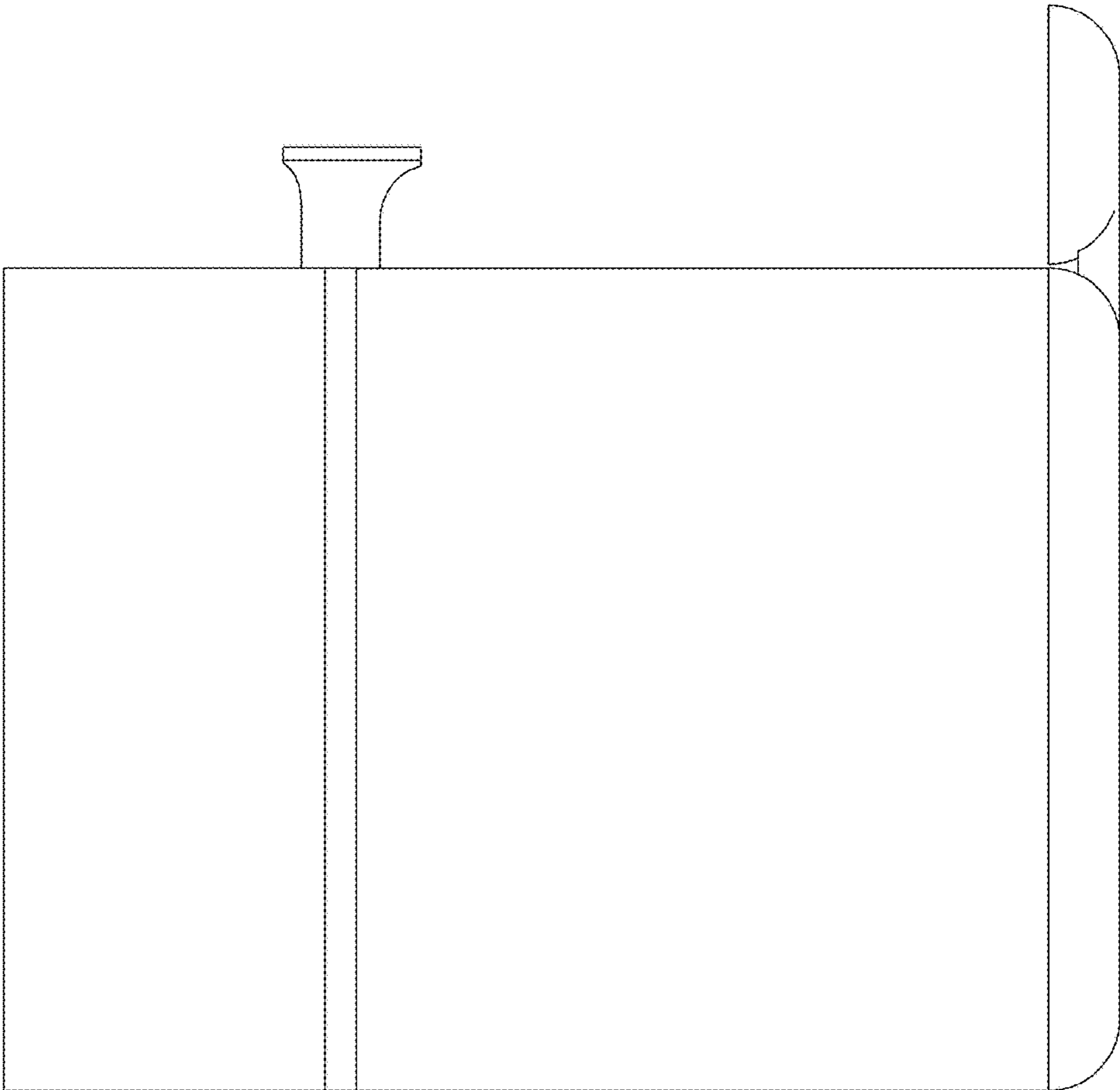


Fig. 3

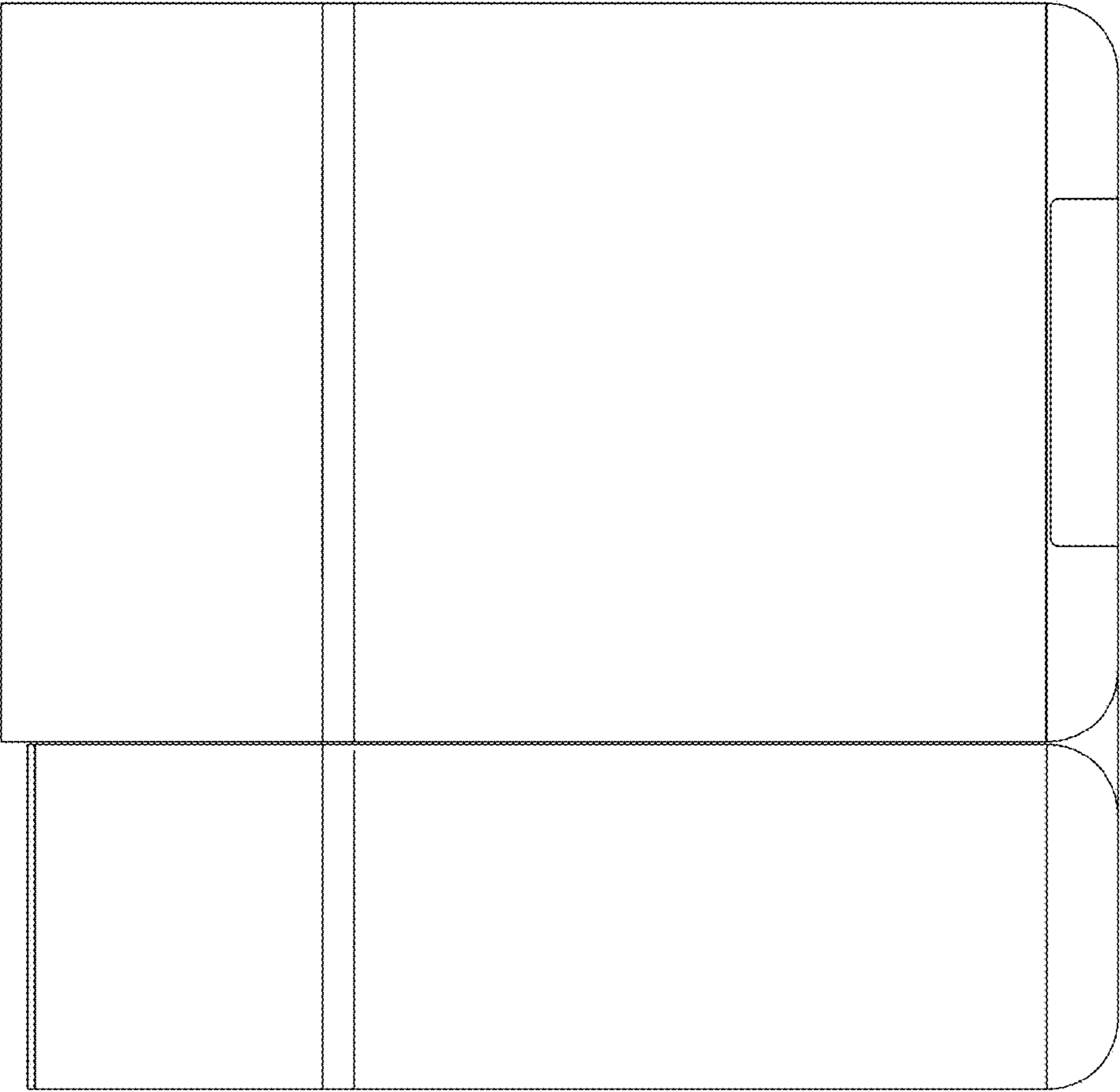


Fig. 4

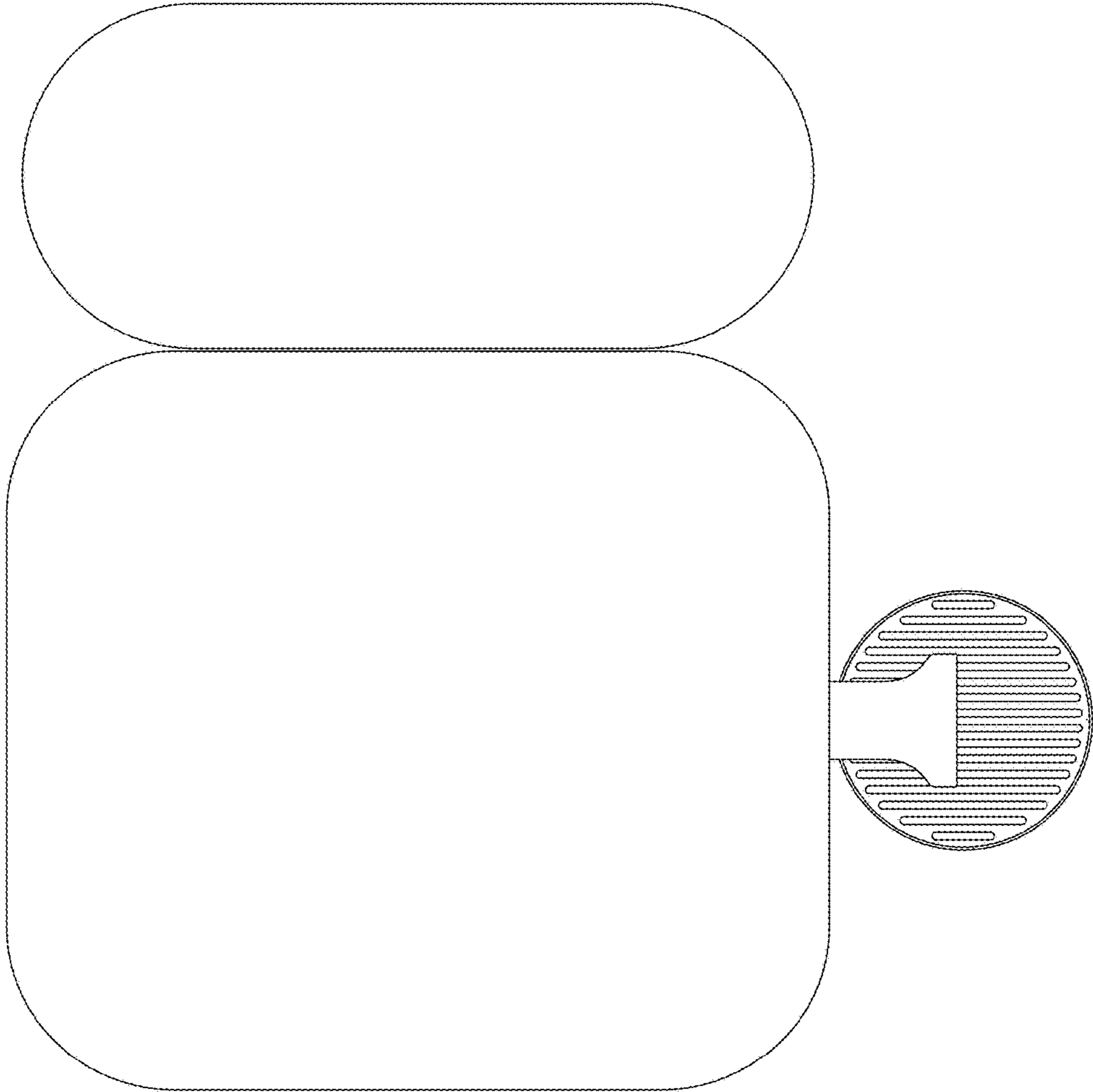


Fig. 5

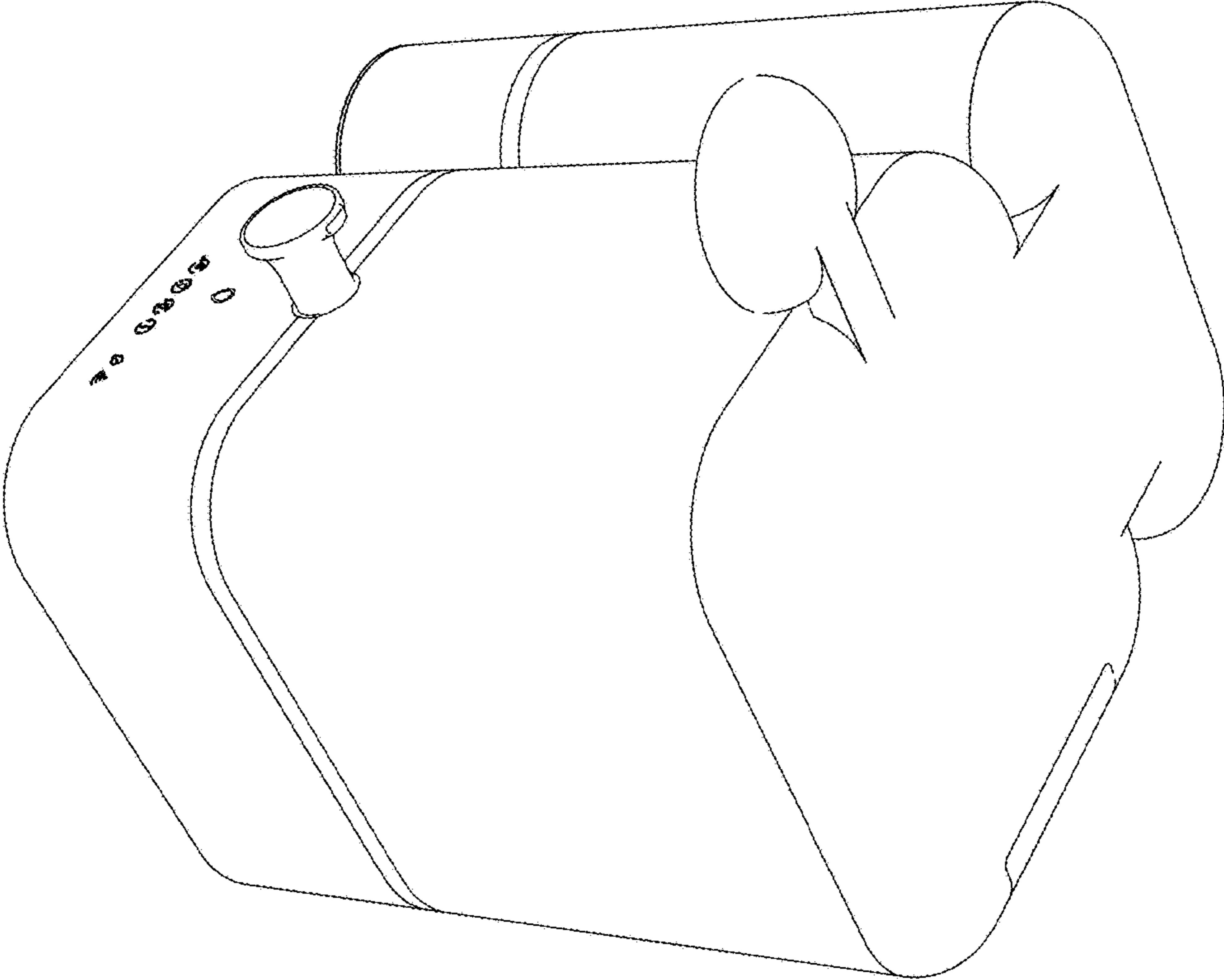


Fig. 6

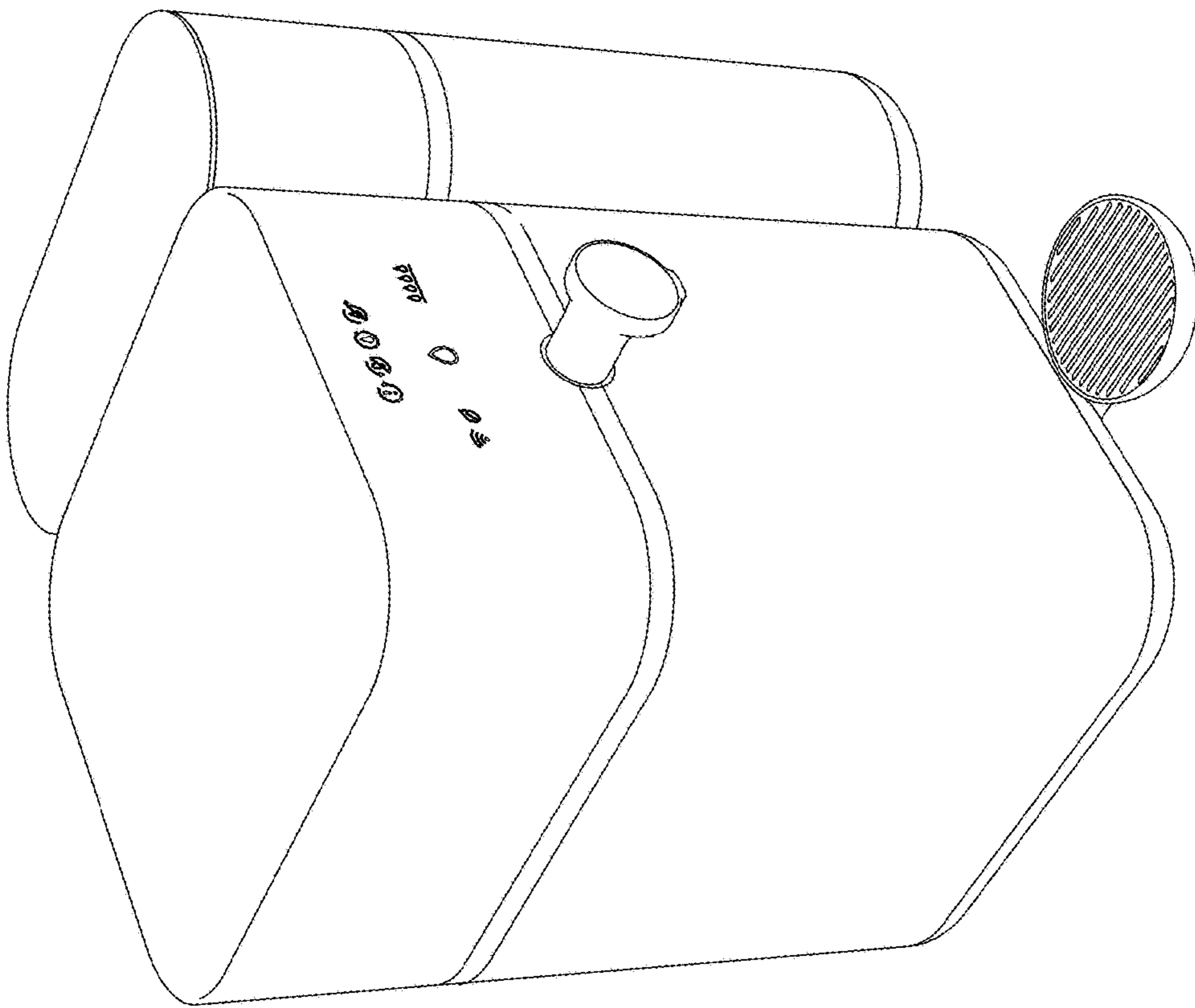


Fig. 7

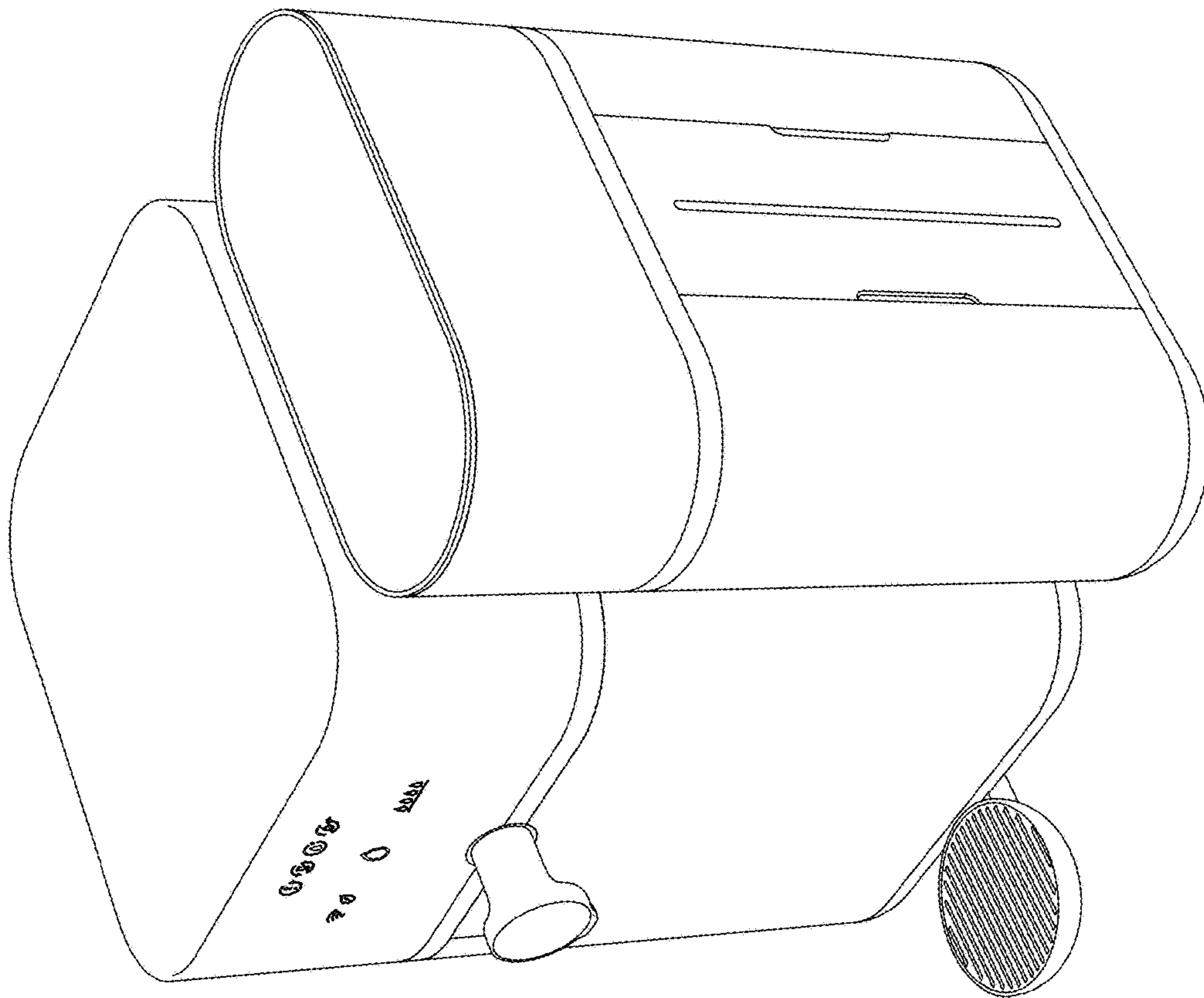


Fig. 8

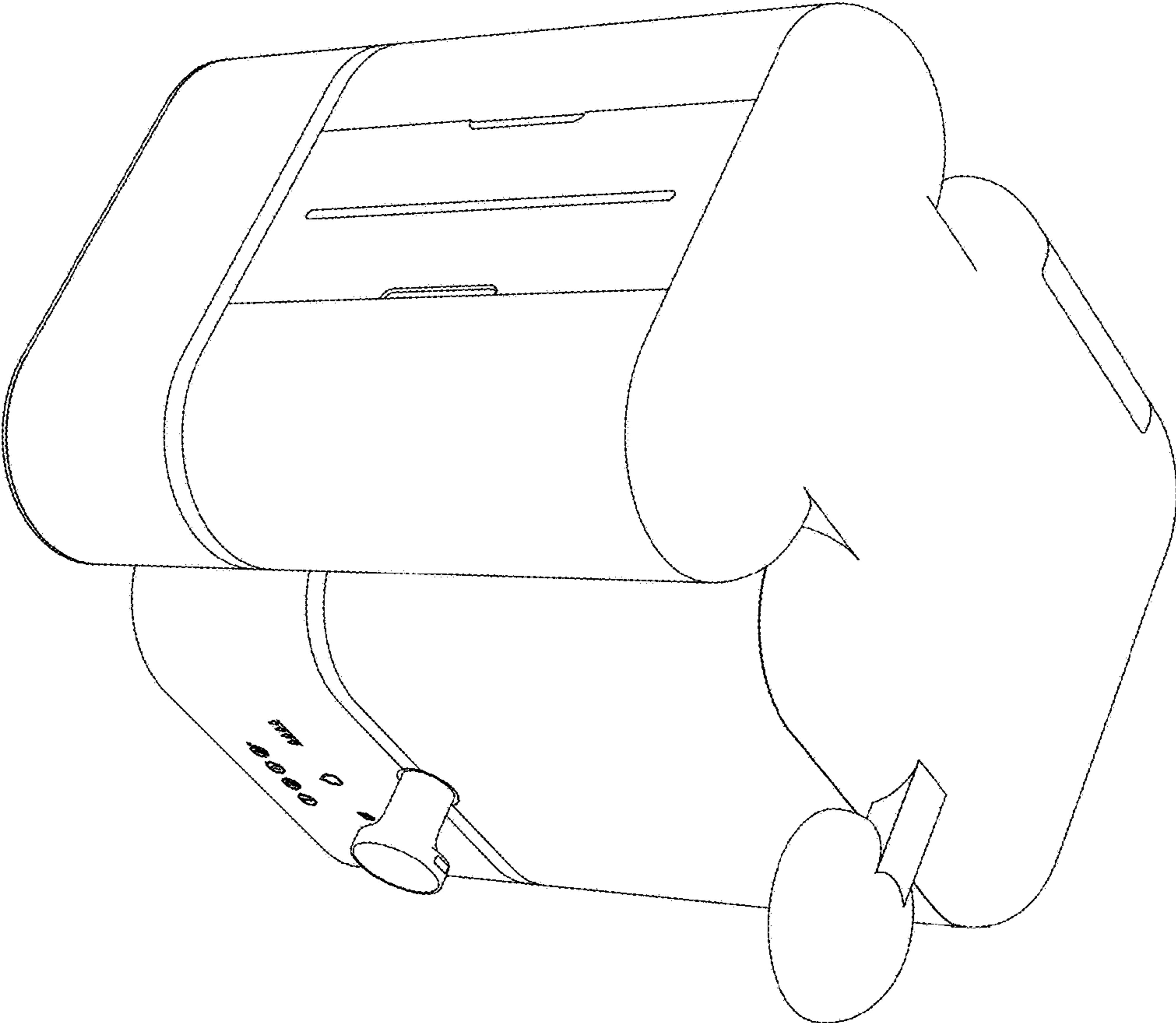


Fig. 9