



US00D841773S

(12) **United States Design Patent**
Miles

(10) **Patent No.:** **US D841,773 S**

(45) **Date of Patent:** **** Feb. 26, 2019**

- (54) **CONTAINMENT MAT**
- (71) Applicant: **Petro Shield LLC**, Montrose, CO (US)
- (72) Inventor: **Matthew Miles**, Montrose, CO (US)
- (**) Term: **15 Years**
- (21) Appl. No.: **29/603,442**
- (22) Filed: **May 9, 2017**
- (51) **LOC (11) Cl.** **23-01**
- (52) **U.S. Cl.**
USPC **D23/206**
- (58) **Field of Classification Search**
USPC D23/200, 206; D6/585; 428/68
CPC B32B 27/12
See application file for complete search history.

- 7,825,046 B2 * 11/2010 Hatfield B01D 69/12
442/80
- 8,735,306 B2 * 5/2014 Hatfield B01D 67/0088
442/397
- 9,102,127 B2 * 8/2015 Berkowitz A47G 9/062

* cited by examiner

Primary Examiner — Robin V Webster

(74) *Attorney, Agent, or Firm* — Venjuris PC

(57) **CLAIM**

The ornamental design for a containment mat, as shown and described.

DESCRIPTION

The patent file contains at least one drawing in executed in color.

FIG. 1 is a perspective view of a containment mat showing my new design;

FIG. 2 is a side view of the design in FIG. 1; all sides are the same;

FIG. 3 is a top view of the design in FIG. 1; and,

FIG. 4 is a bottom view of the design in FIG. 1.

The containment mat is shown with jagged lines to indicate non-specified length. The appearance and any portion of the article between the jagged lines forms no part of the claimed design.

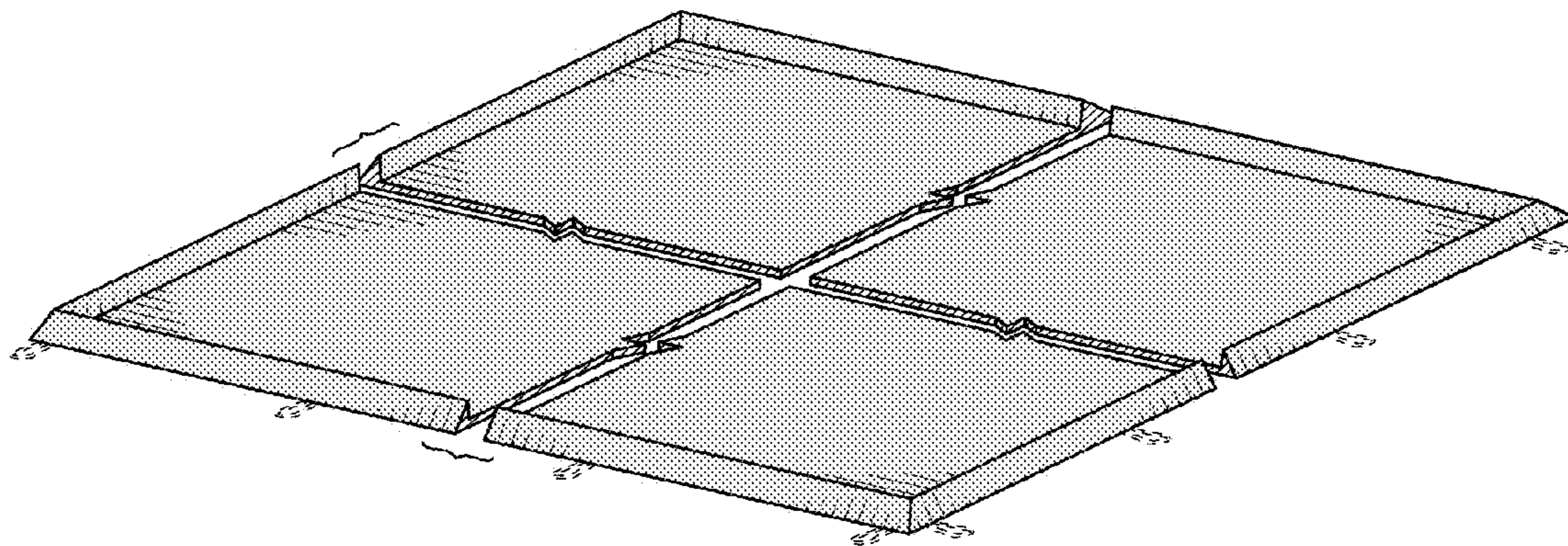
The broken lines form no part of the claimed design.

1 Claim, 2 Drawing Sheets
(2 of 2 Drawing Sheet(s) Filed in Color)

(56) **References Cited**

U.S. PATENT DOCUMENTS

- D274,948 S * 7/1984 Swanson A01K 1/0107
D25/156
- D336,348 S * 6/1993 Dorfman, Jr. B01D 61/04
D25/156
- 5,462,655 A * 10/1995 Ladd B01D 61/04
134/104.2
- 6,645,597 B1 * 11/2003 Swain A01K 1/0107
428/68
- 7,806,883 B2 * 10/2010 Fossum A61F 13/4902
604/366



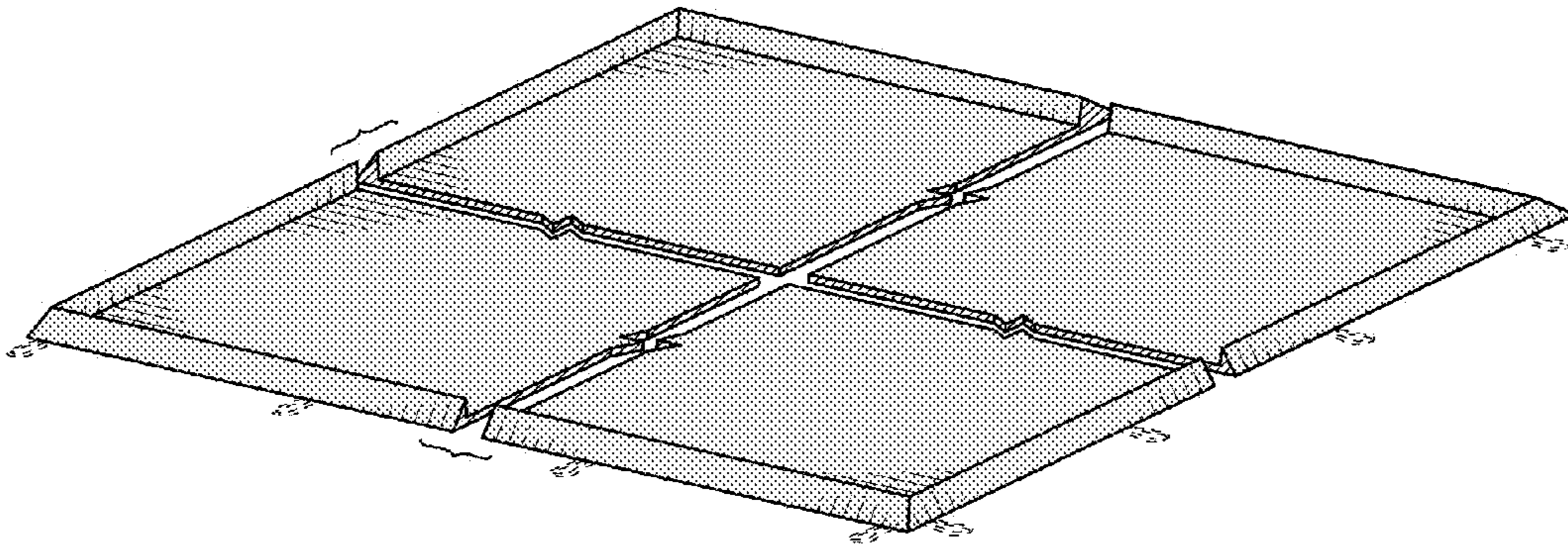


FIG. 1



FIG. 2

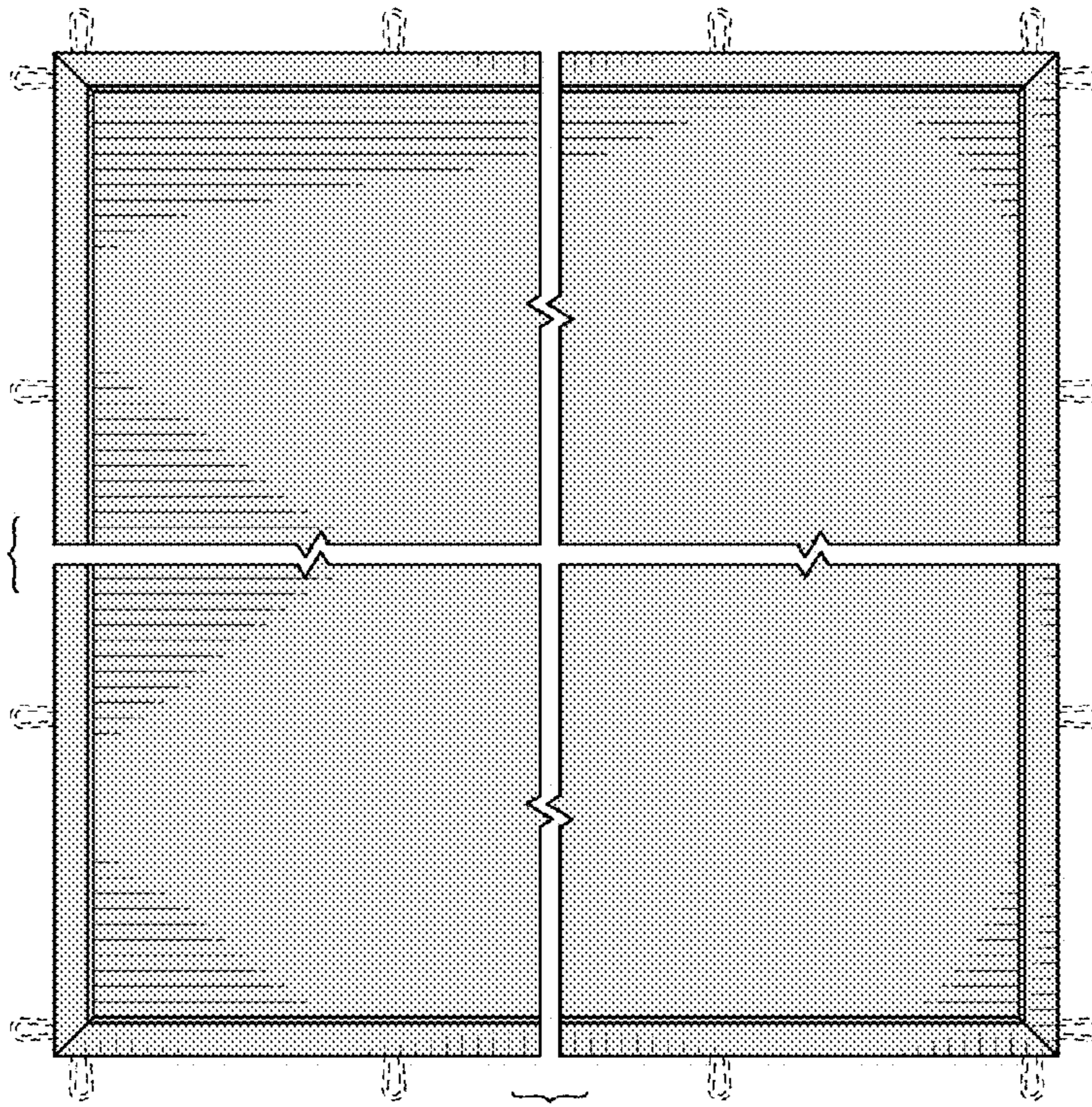


FIG. 3

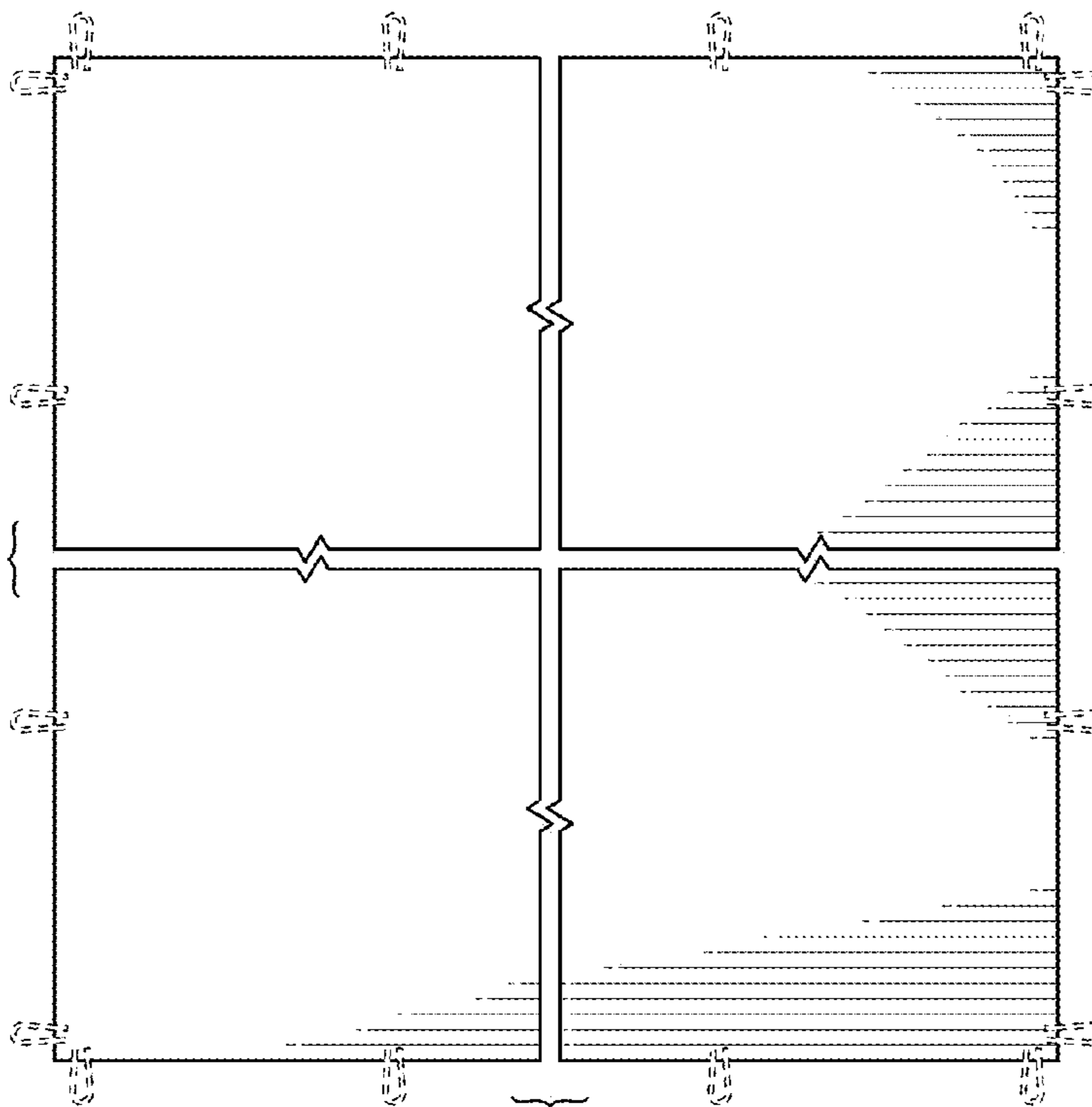


FIG. 4