



US00D841762S

(12) **United States Design Patent** (10) **Patent No.:** **US D841,762 S**
Sheng et al. (45) **Date of Patent:** **** Feb. 26, 2019**

(54) **LED LAMP FOR PEST CONTROL**

(71) Applicant: **Shenzhen Royalighting Technology Co., Ltd.**, Shenzhen (CN)

(72) Inventors: **Chun Sheng**, Shenzhen (CN); **Peijun Long**, Shenzhen (CN)

(**) Term: **15 Years**

(21) Appl. No.: **29/632,759**

(22) Filed: **Jan. 9, 2018**

(51) **LOC (11) Cl.** **22-06**

(52) **U.S. Cl.**
USPC **D22/122**

(58) **Field of Classification Search**
USPC D22/119–124; 43/112–113; D26/1–4
CPC .. A01M 1/04; A01M 1/223; A01M 2200/012;
A01M 1/2016

See application file for complete search history.

(56) **References Cited**

U.S. PATENT DOCUMENTS

3,473,251 A * 10/1969 Kahn A01M 1/04
43/112
4,226,043 A * 10/1980 Peterson A01M 1/04
43/112

D602,116 S * 10/2009 Chen D22/123
D612,902 S * 3/2010 Fleming D22/123
D816,182 S * 4/2018 Rubel D22/122
D821,537 S * 6/2018 Ye D22/123
D825,709 S * 8/2018 Rubel D22/122
D829,302 S * 9/2018 Rocha D22/122
D831,782 S * 10/2018 Zhang D22/122
D831,784 S * 10/2018 Rubel D22/123

* cited by examiner

Primary Examiner — Catherine R Oliver-Garcia
(74) *Attorney, Agent, or Firm* — Novoclaims Patent Services LLC; Mei Lin Wong

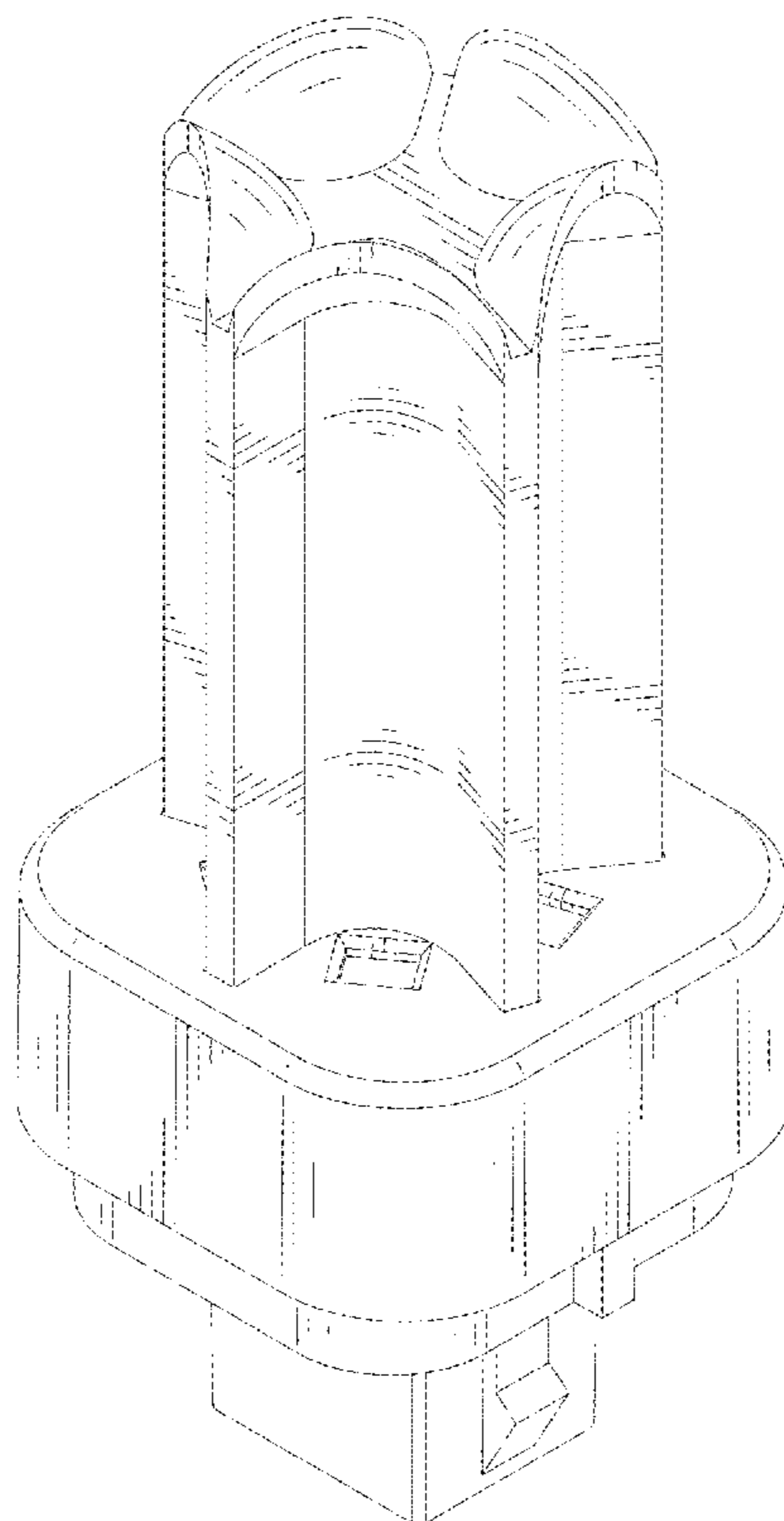
(57) **CLAIM**

The ornamental design for a LED lamp for pest control, as shown and described.

DESCRIPTION

FIG. 1 is a perspective view of a LED lamp for pest control, showing my new design;
 FIG. 2 is a bottom perspective view thereof;
 FIG. 3 is a front view thereof;
 FIG. 4 is a rear view thereof;
 FIG. 5 is a left side view thereof;
 FIG. 6 is a right side view thereof;
 FIG. 7 is a top view thereof; and,
 FIG. 8 is a bottom view thereof.

1 Claim, 8 Drawing Sheets



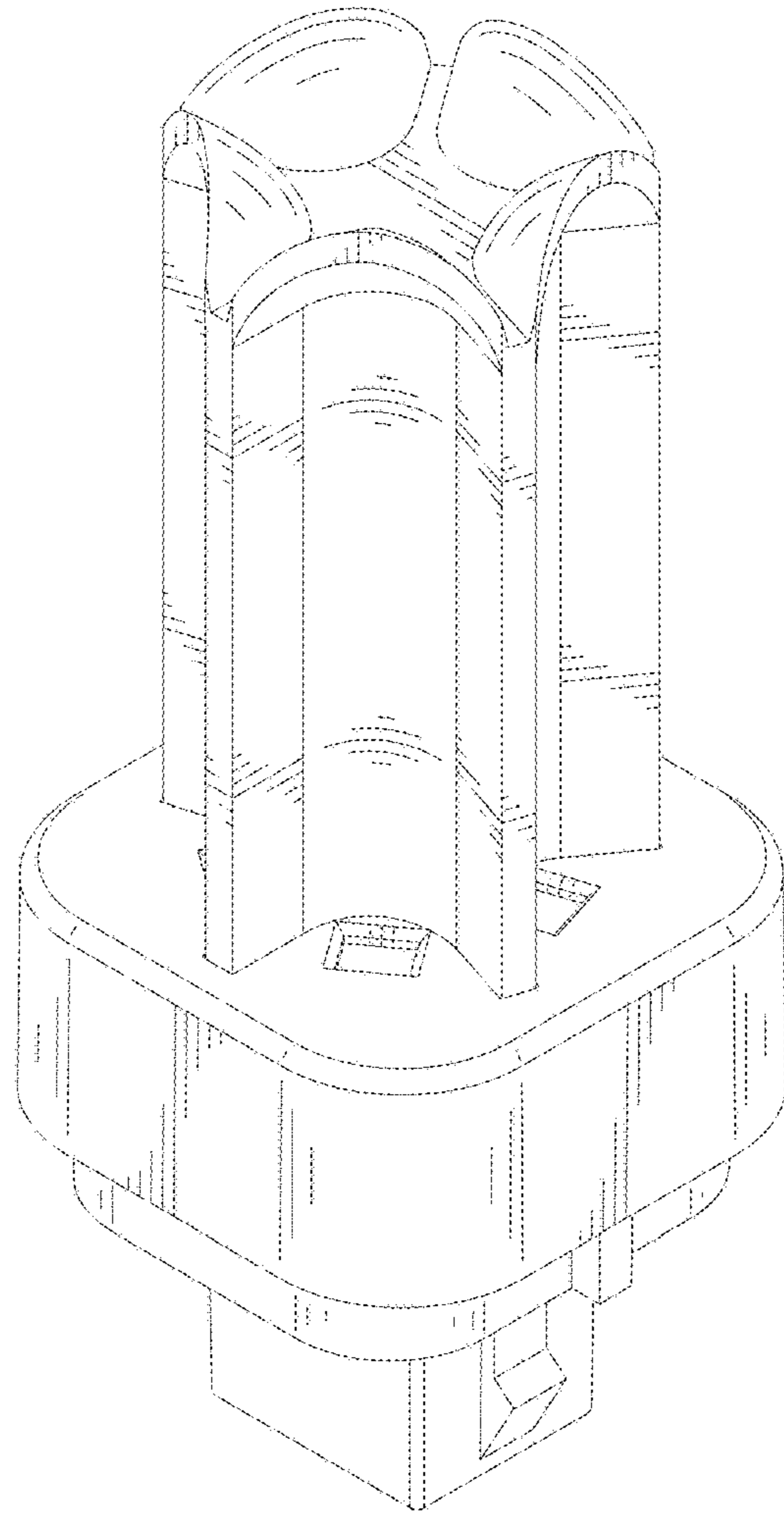


FIG.1

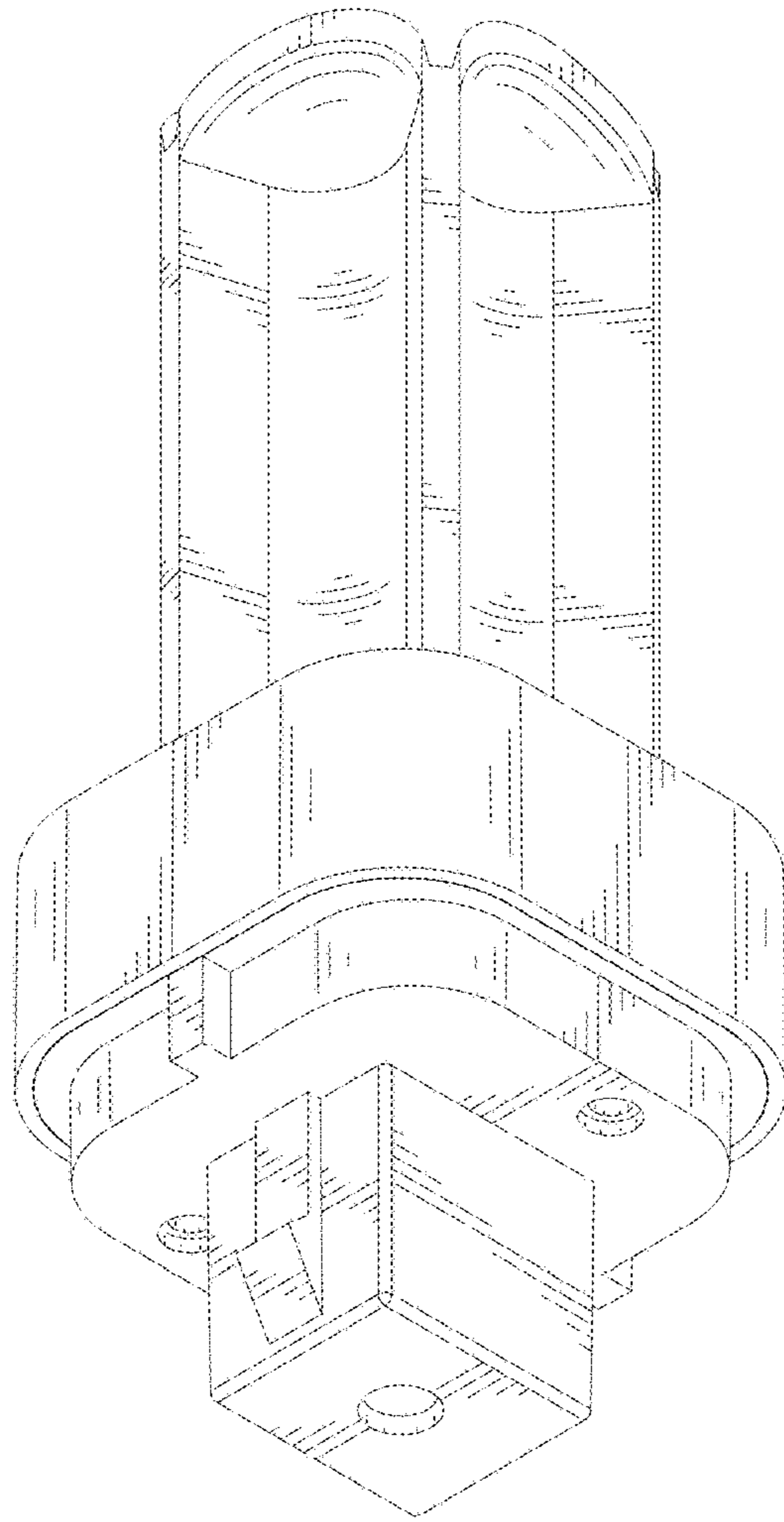


FIG.2

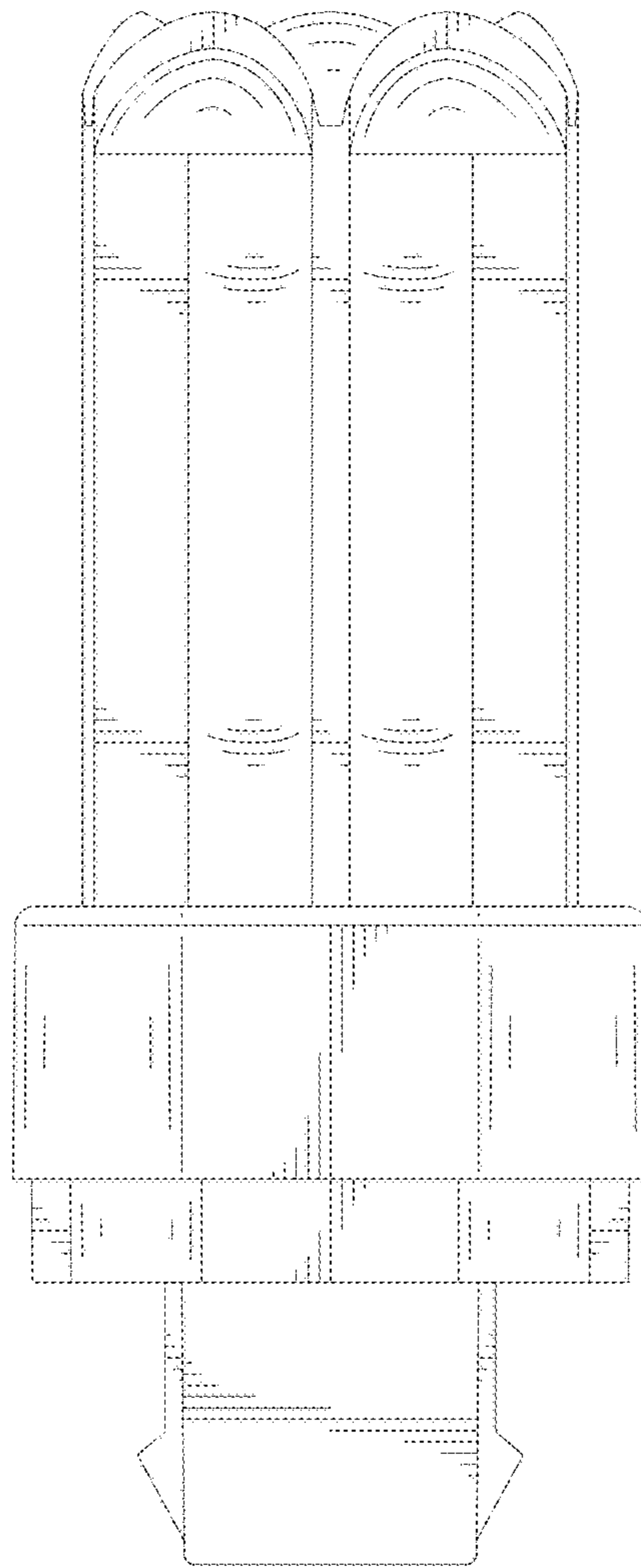


FIG.3

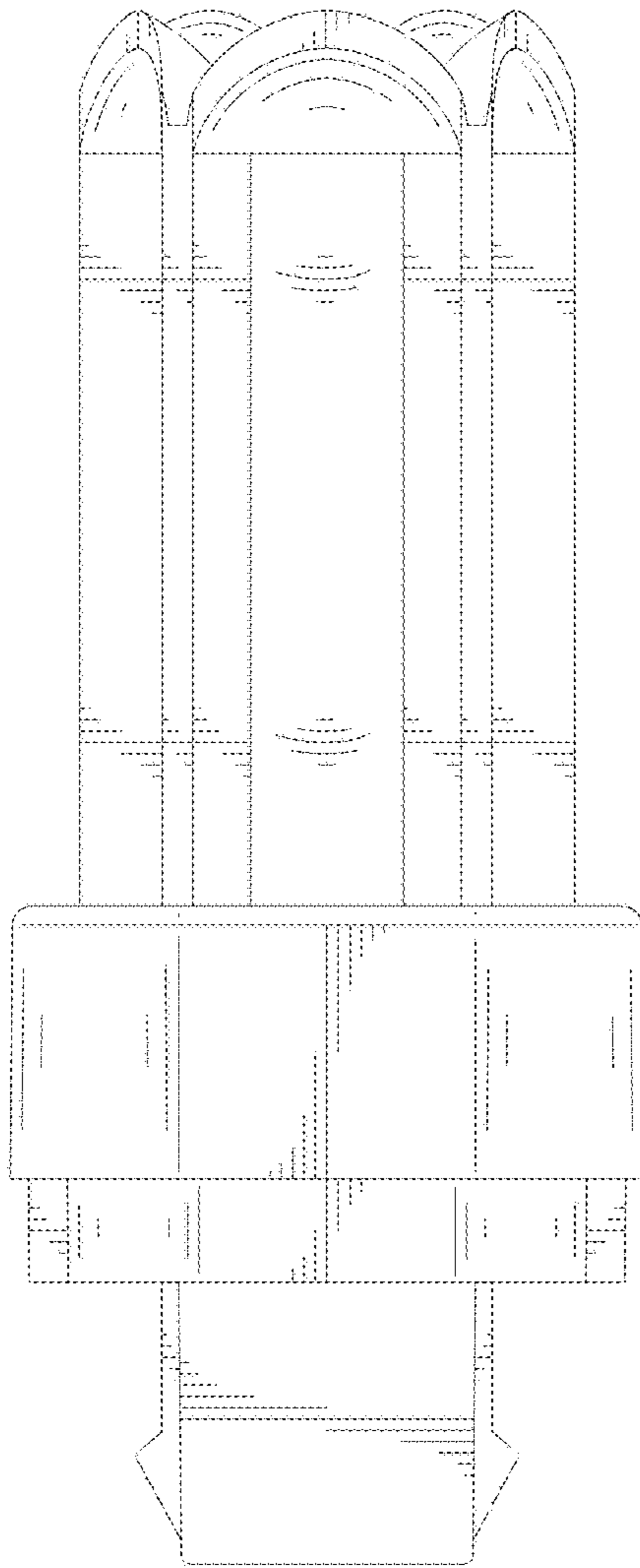


FIG.4

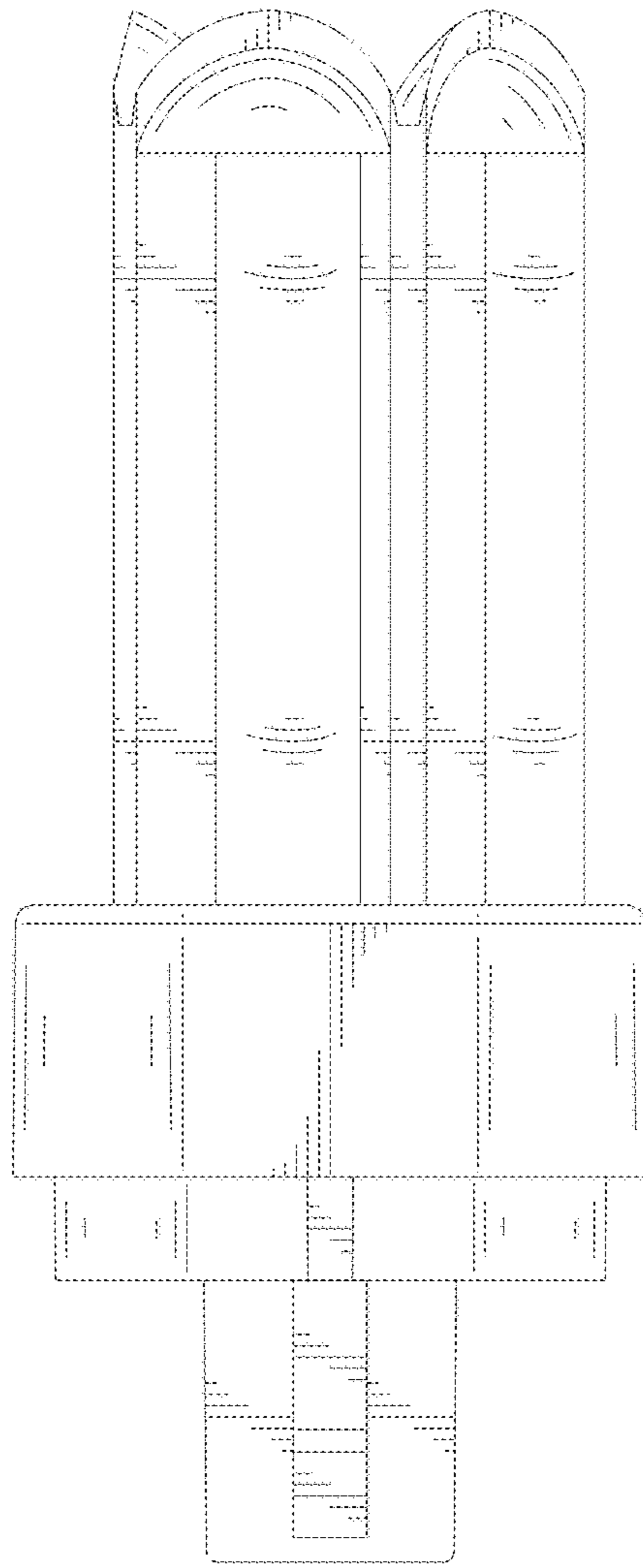


FIG.5

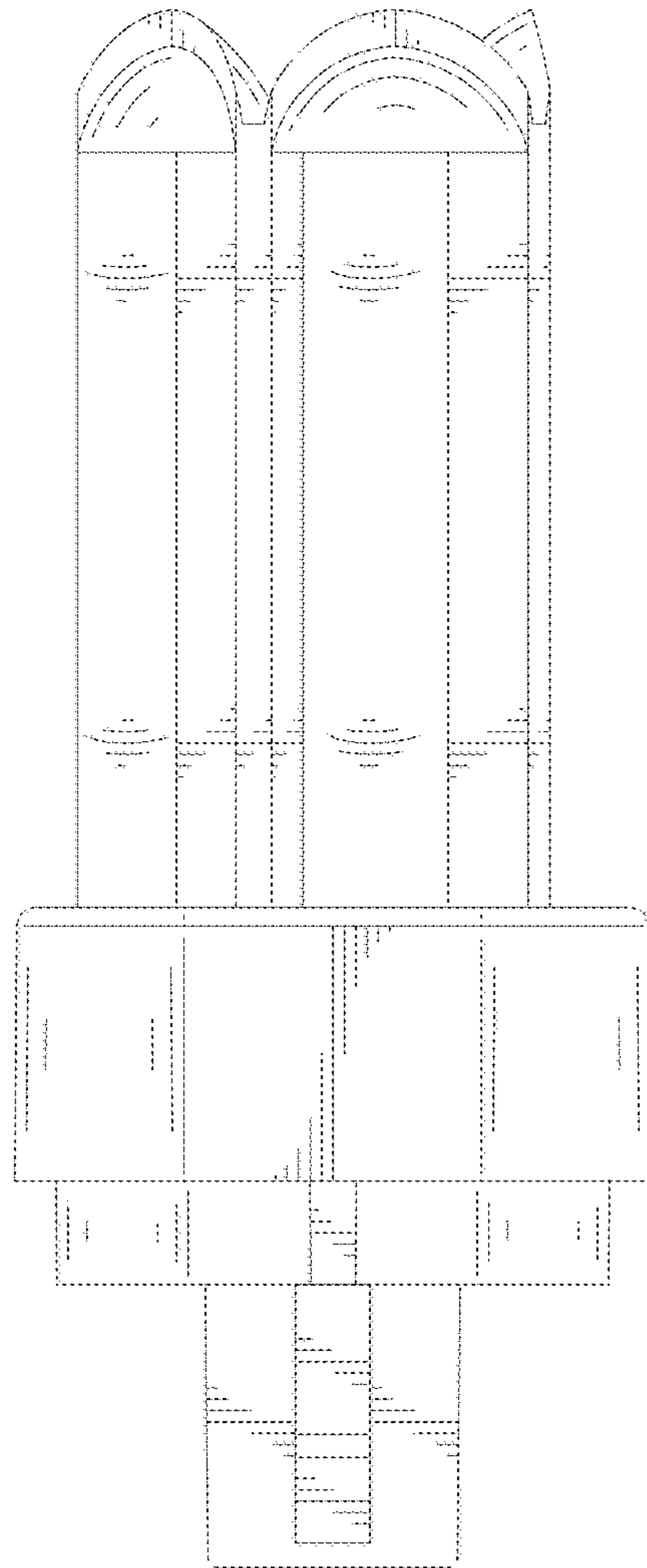


FIG.6

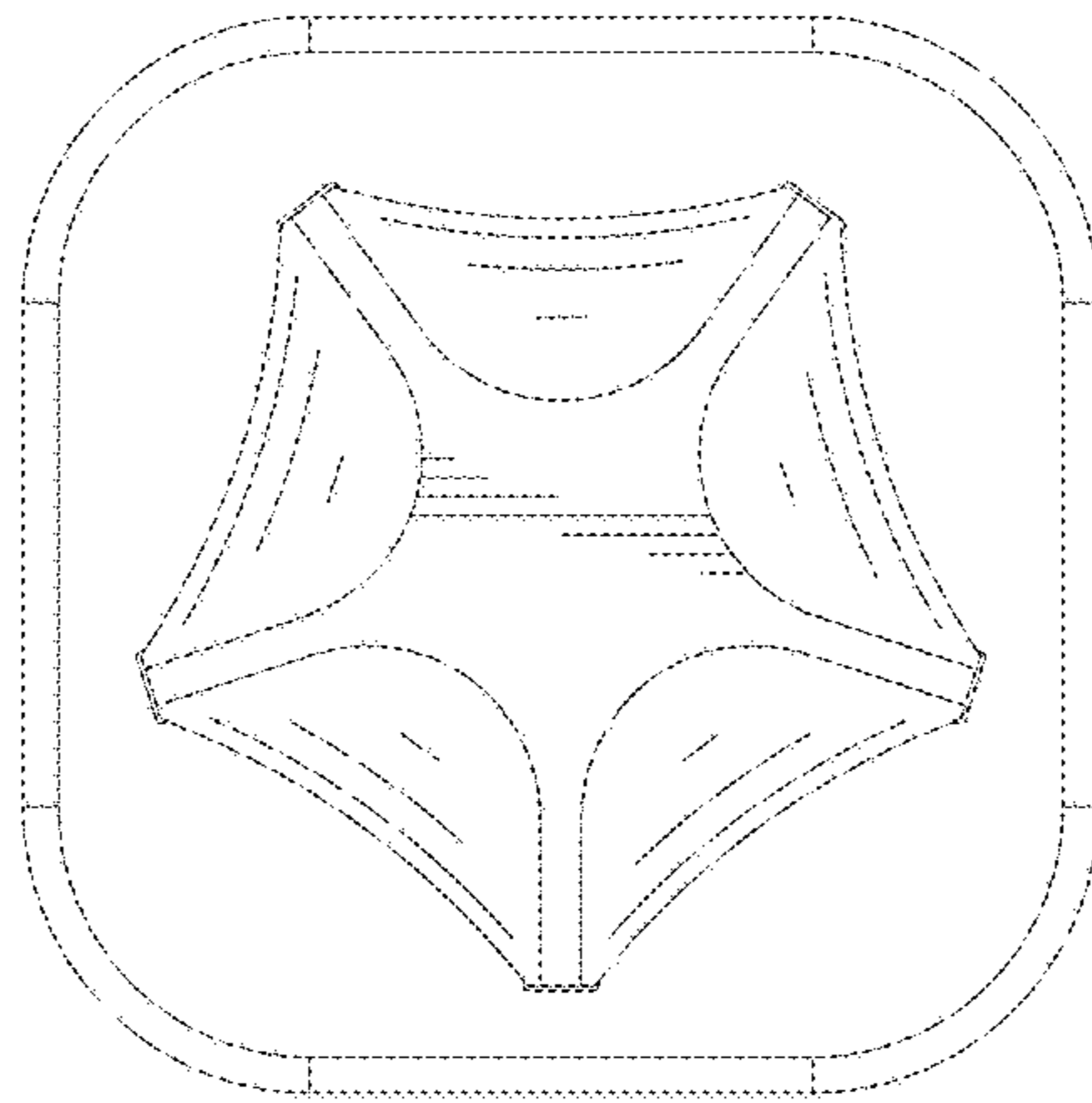


FIG.7

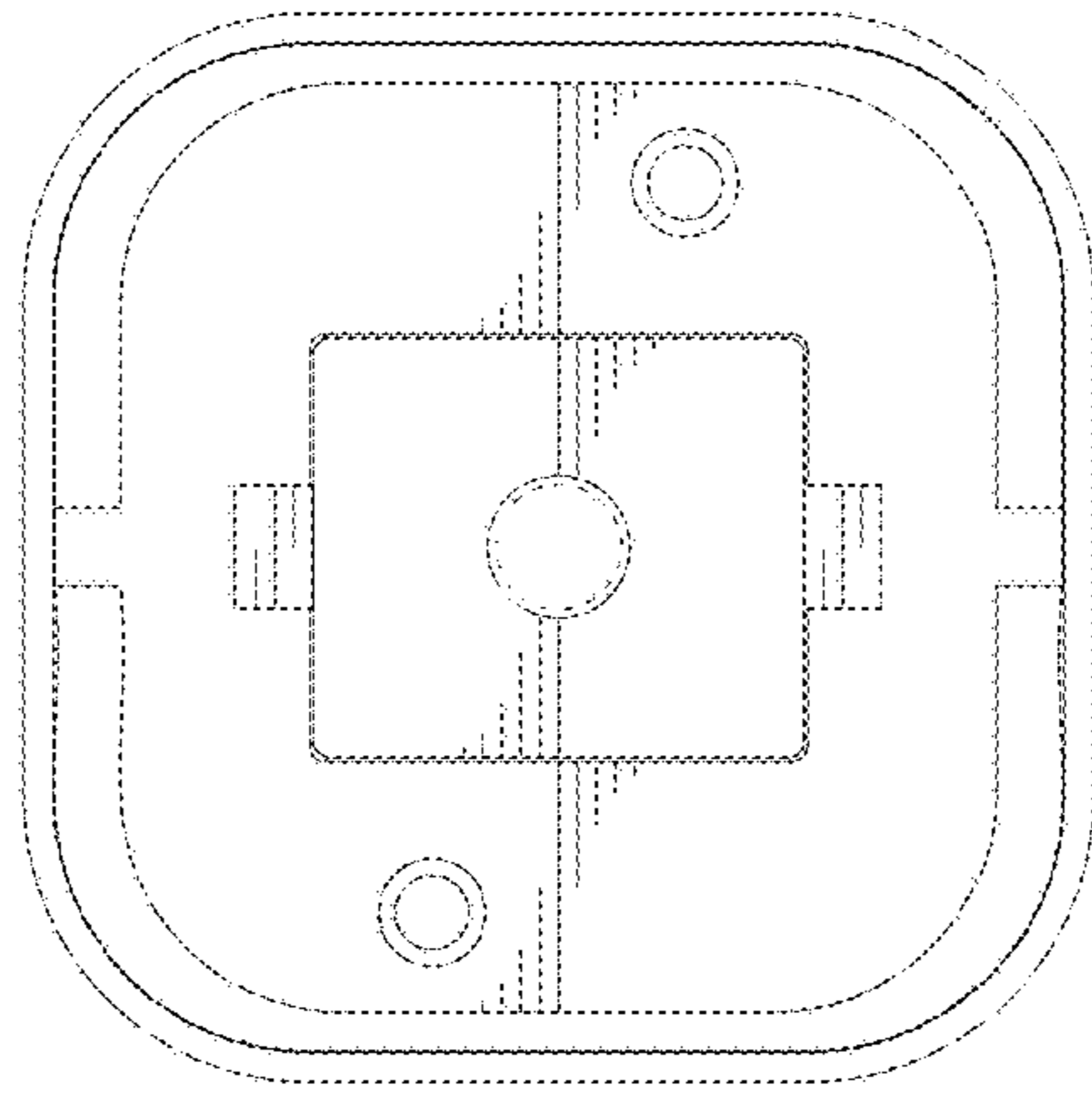


FIG.8