



US00D841759S

(12) **United States Design Patent**
Thompson

(10) **Patent No.:** **US D841,759 S**

(45) **Date of Patent:** **** Feb. 26, 2019**

(54) **TARGET AND SUPPORT**

(71) Applicant: **Azor Industries Pty Ltd**, Coniston,
NSW (AU)

(72) Inventor: **Jeffrey Thompson**, Coniston (AU)

(73) Assignee: **Azor Industries Pty Ltd**, Coniston
(AU)

(**) Term: **15 Years**

(21) Appl. No.: **29/593,546**

(22) Filed: **Feb. 9, 2017**

(51) **LOC (11) Cl.** **22-04**

(52) **U.S. Cl.**
USPC **D22/113**

(58) **Field of Classification Search**
USPC D22/113, 199
CPC F41J 1/10; F41J 5/14; F41J 1/00; F41J
3/004

See application file for complete search history.

(56) **References Cited**

U.S. PATENT DOCUMENTS

5,701,695 A * 12/1997 Current G09F 7/20
40/601

6,009,651 A * 1/2000 Current G09F 15/0068
40/605
D723,623 S * 3/2015 Smith D20/41
D746,938 S * 1/2016 Thomson D22/113

* cited by examiner

Primary Examiner — Michael A. Pratt

(74) *Attorney, Agent, or Firm* — Kilpatrick Townsend &
Stockton

(57) **CLAIM**

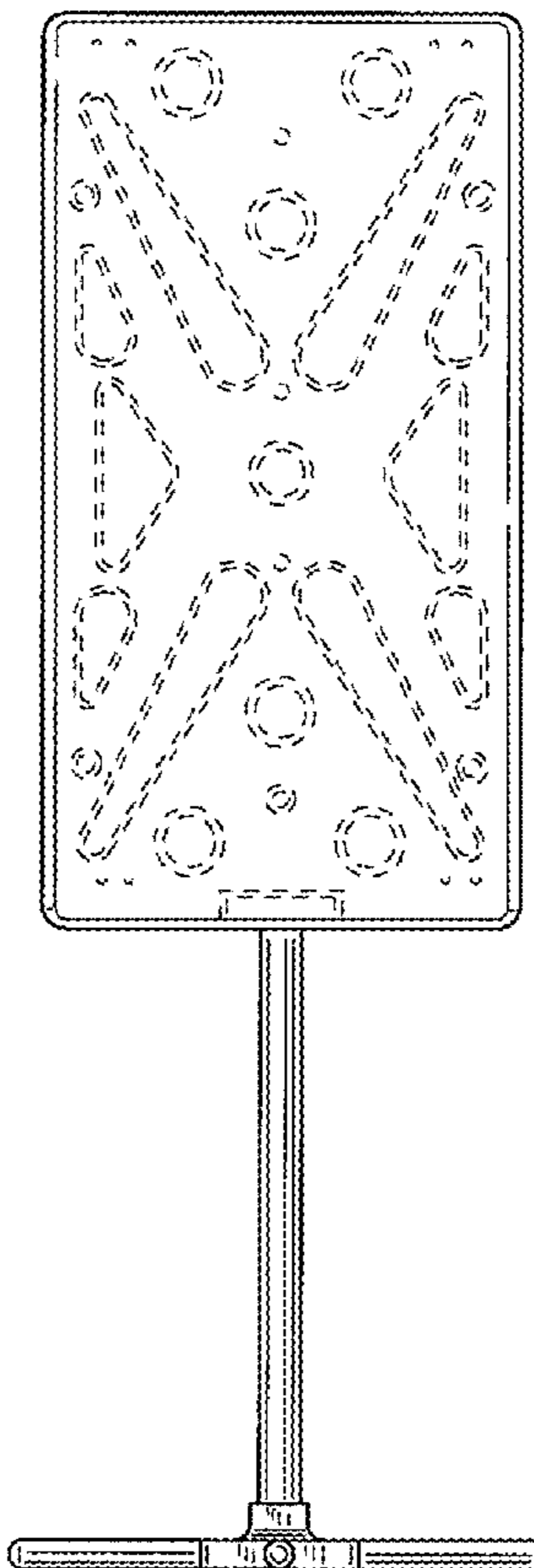
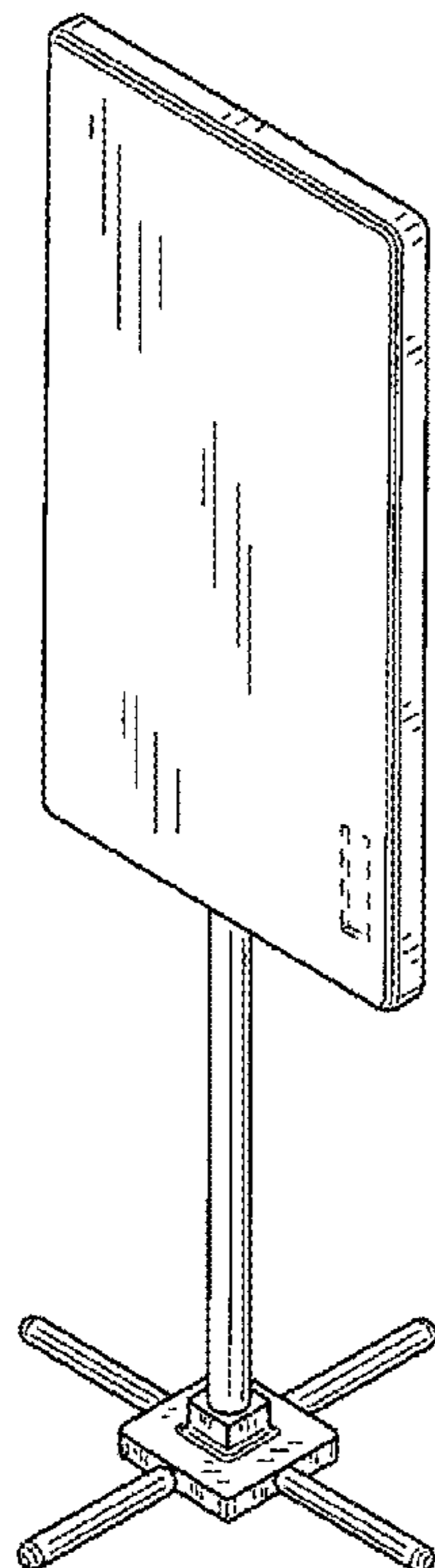
The ornamental design for target and support, as shown and
described.

DESCRIPTION

FIG. 1 is a front perspective view of a first embodiment of
the target and support;
FIG. 2 is a front view;
FIG. 3 is a rear view;
FIG. 4 is a left side view;
FIG. 5 is a right side view;
FIG. 6 is a top view; and,
FIG. 7 is a bottom view.

The broken line shown in FIGS. 1 through 3 is included for
the purpose of illustrating portions of the target and support
that forms no part of the claimed design.

1 Claim, 6 Drawing Sheets



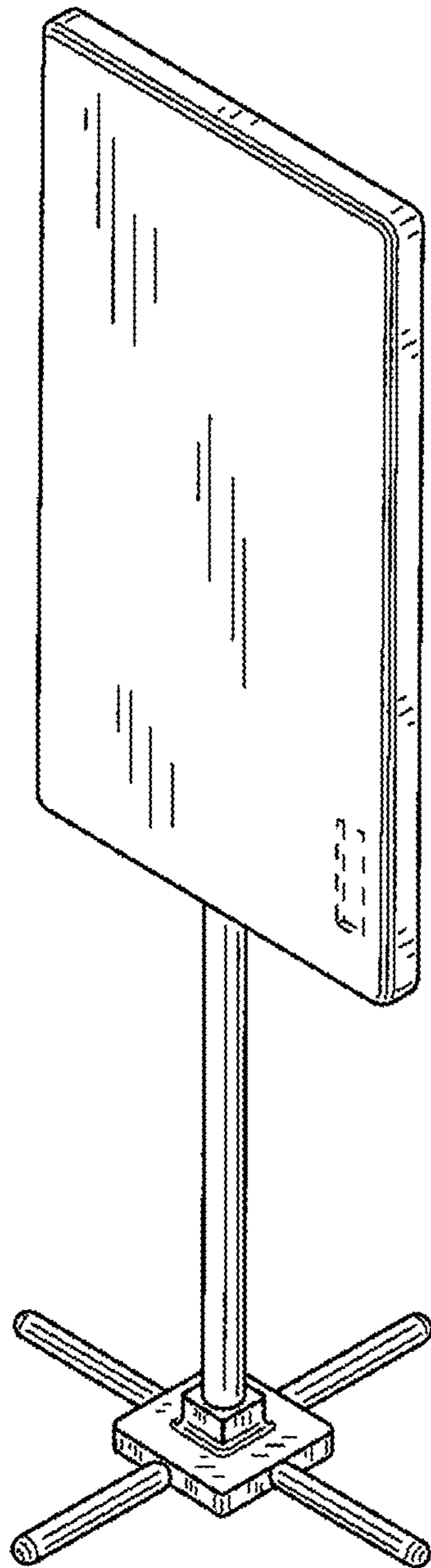


FIG. 1

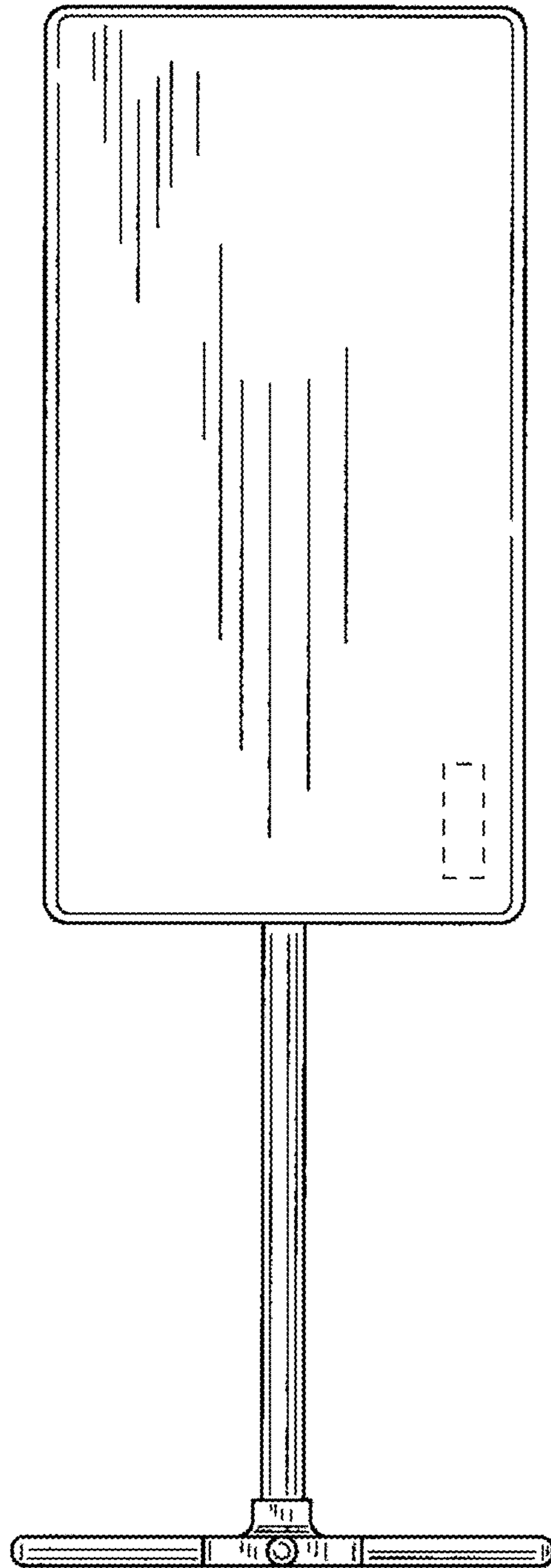


FIG.2

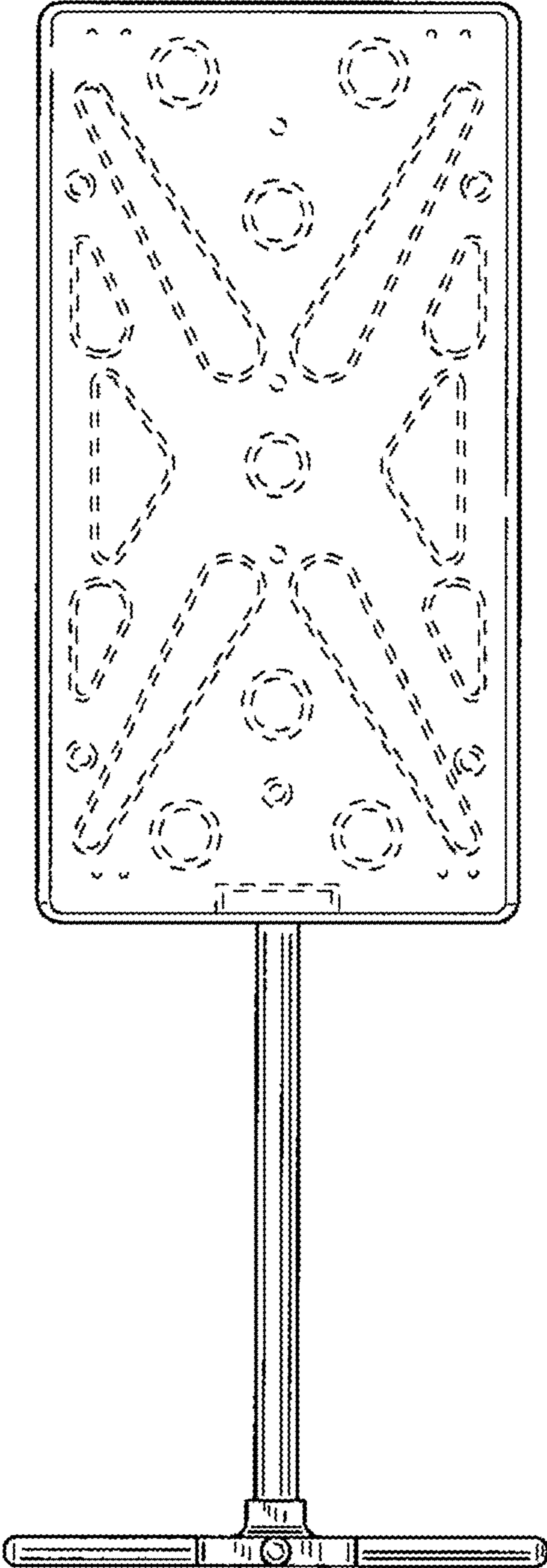


FIG.3

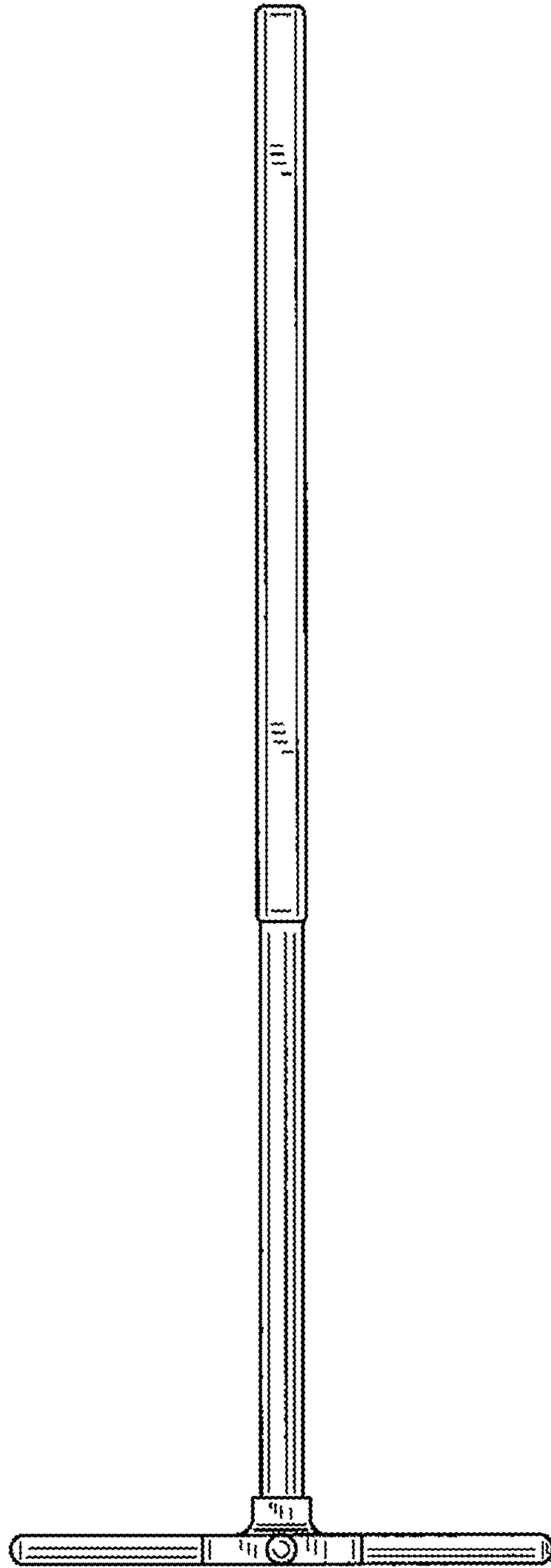


FIG. 4

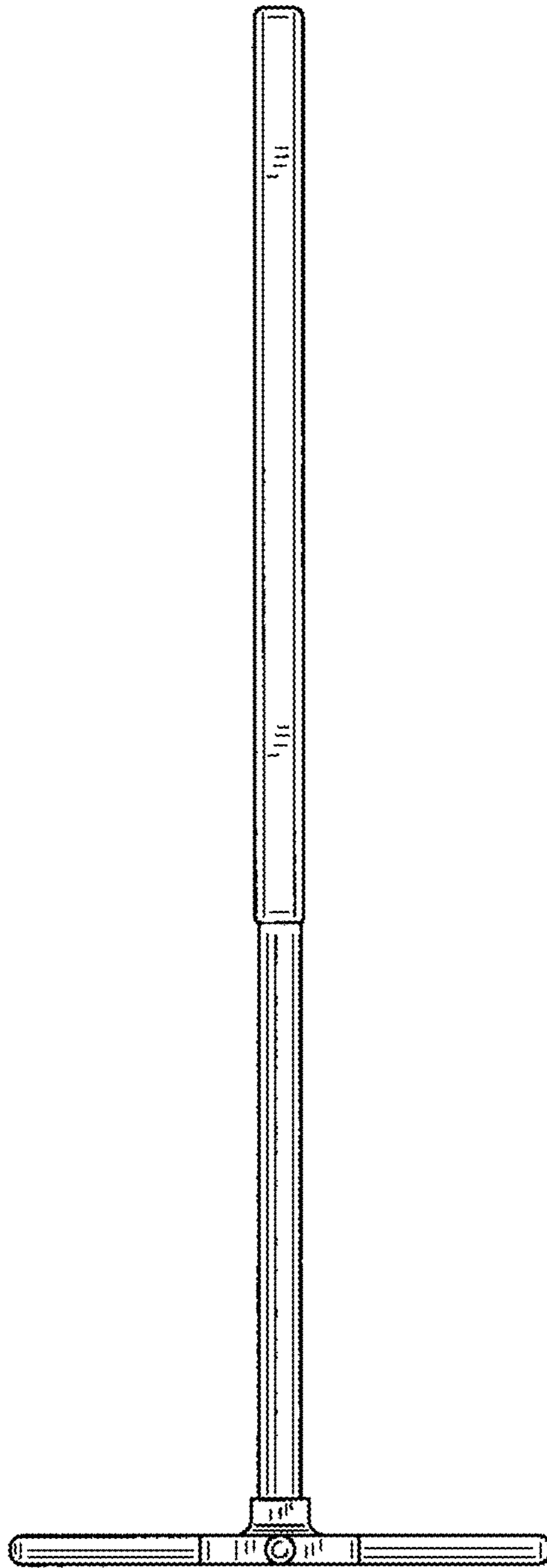


FIG. 5

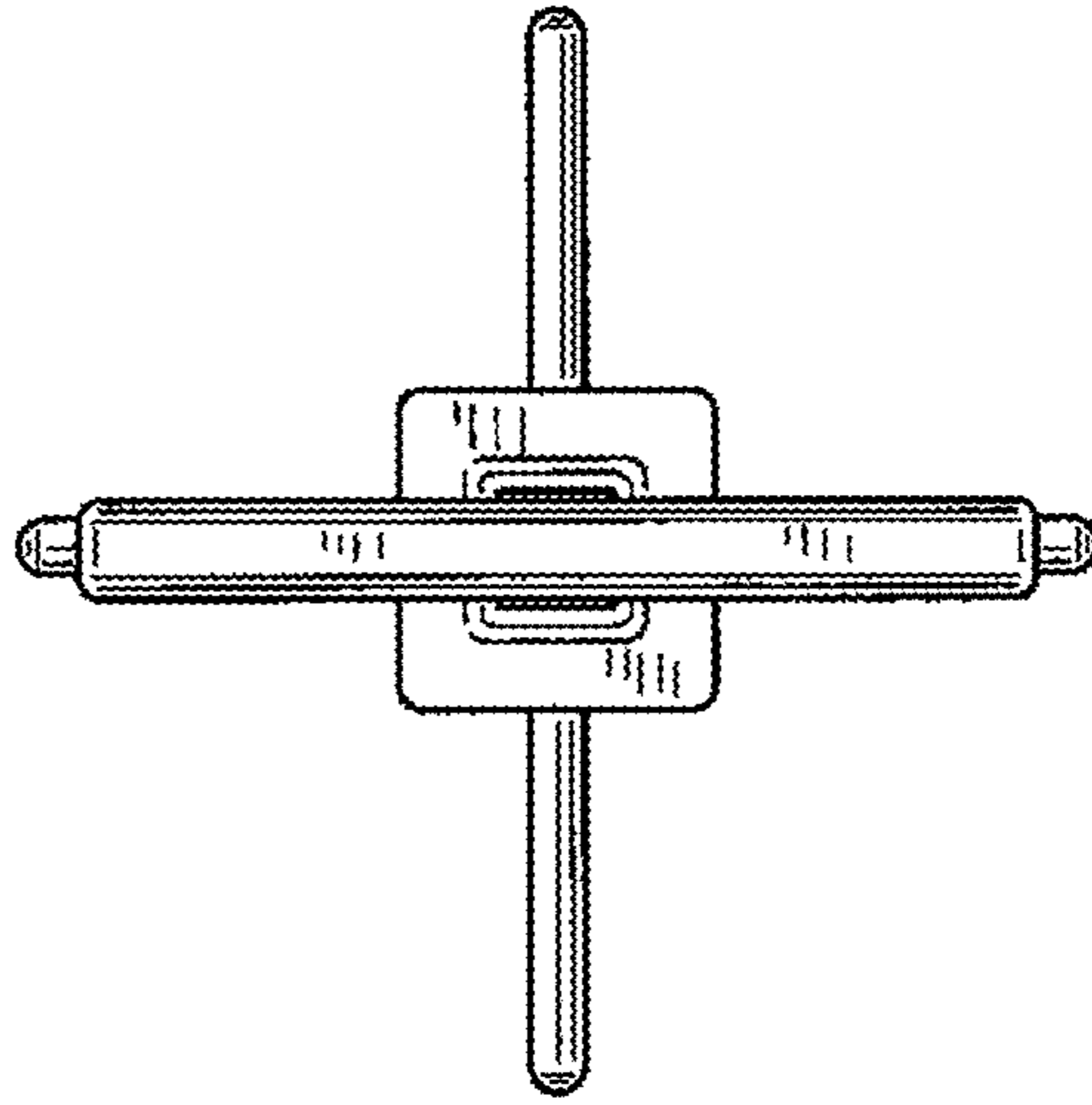


FIG. 6

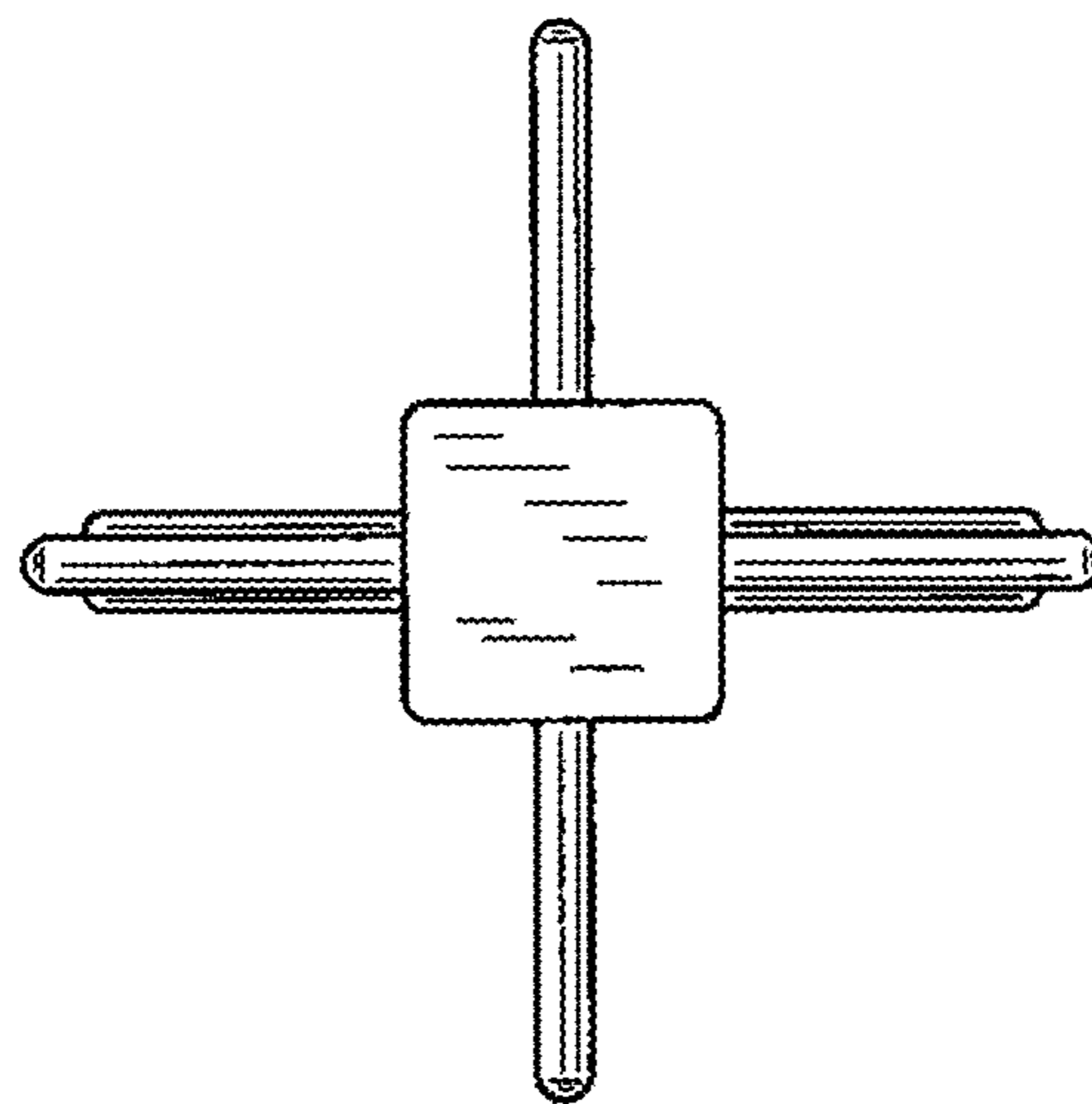


FIG. 7