



US00D841758S

(12) **United States Design Patent**
Novak et al.

(10) **Patent No.:** **US D841,758 S**

(45) **Date of Patent:** **** Feb. 26, 2019**

(54) **MAGAZINE INSERTION FUNNEL**

(71) Applicant: **Sportco, Inc.**, Holbrook, NY (US)

(72) Inventors: **Robert Arthur Novak**, Holbrook, NY (US); **Joseph Michael Procopio**, Sayville, NY (US); **Jameson Stradley Ellis**, Sag Harbor, NY (US); **Jayson Edward Dekmar**, Grandville, MI (US)

(73) Assignee: **Sportco, Inc.**, Holbrook, NY (US)

(**) Term: **15 Years**

(21) Appl. No.: **29/629,057**

(22) Filed: **Dec. 11, 2017**

(51) **LOC (11) Cl.** **22-01**

(52) **U.S. Cl.**
USPC **D22/108**

(58) **Field of Classification Search**
USPC D22/108, 199; D8/354, 373, 380, 499;
D2/964; D6/536

CPC ... F16M 11/00; F41A 9/61; F41A 9/65; F41A 9/68; F41A 9/69; F41A 9/00; F41A 9/17; F41A 9/23; F41A 9/34; F41A 9/84; F41A 9/70; F41A 9/71; F41A 11/02

See application file for complete search history.

(56) **References Cited**

U.S. PATENT DOCUMENTS

D304,959 S	*	12/1989	King	D19/75
D344,780 S	*	3/1994	Jenkins	D22/108
D401,992 S	*	12/1998	Pearce	D22/108
D487,790 S	*	3/2004	Freed	D22/108
D576,701 S	*	9/2008	Nichols	D22/108
D686,294 S	*	7/2013	Ziegler	D22/108
D701,279 S	*	3/2014	Clark	D22/108
D745,944 S	*	12/2015	Kielsmeier	D22/108
D757,458 S	*	5/2016	Snell	D6/536
D757,884 S	*	5/2016	Kielsmeier	D22/108
D767,705 S	*	9/2016	Freed	D22/108

D769,397 S	*	10/2016	Lam	D22/108
D783,111 S	*	4/2017	Hillis	D22/108
D788,251 S	*	5/2017	Sylvester	D22/108
D798,983 S	*	10/2017	Chen	D22/108
D799,631 S	*	10/2017	Chen	D22/108

(Continued)

OTHER PUBLICATIONS

Primary Arms, Zev Technologies Speed Feed Mag Well for Glock Gen 3 Small Frame, Publication date unknown, [site visited Oct. 10, 2018], Available on the Internet URL <https://www.primaryarms.com/zev-technologies-speed-feed-mag-well-for-glock-gen-3-small-frame-black-zt-mw-k-sm-br-3ghv>.*

Primary Examiner — Karen S Acker

Assistant Examiner — Steven B Reinholdt, Jr.

(74) *Attorney, Agent, or Firm* — Abelman, Frayne & Schwab

(57) **CLAIM**

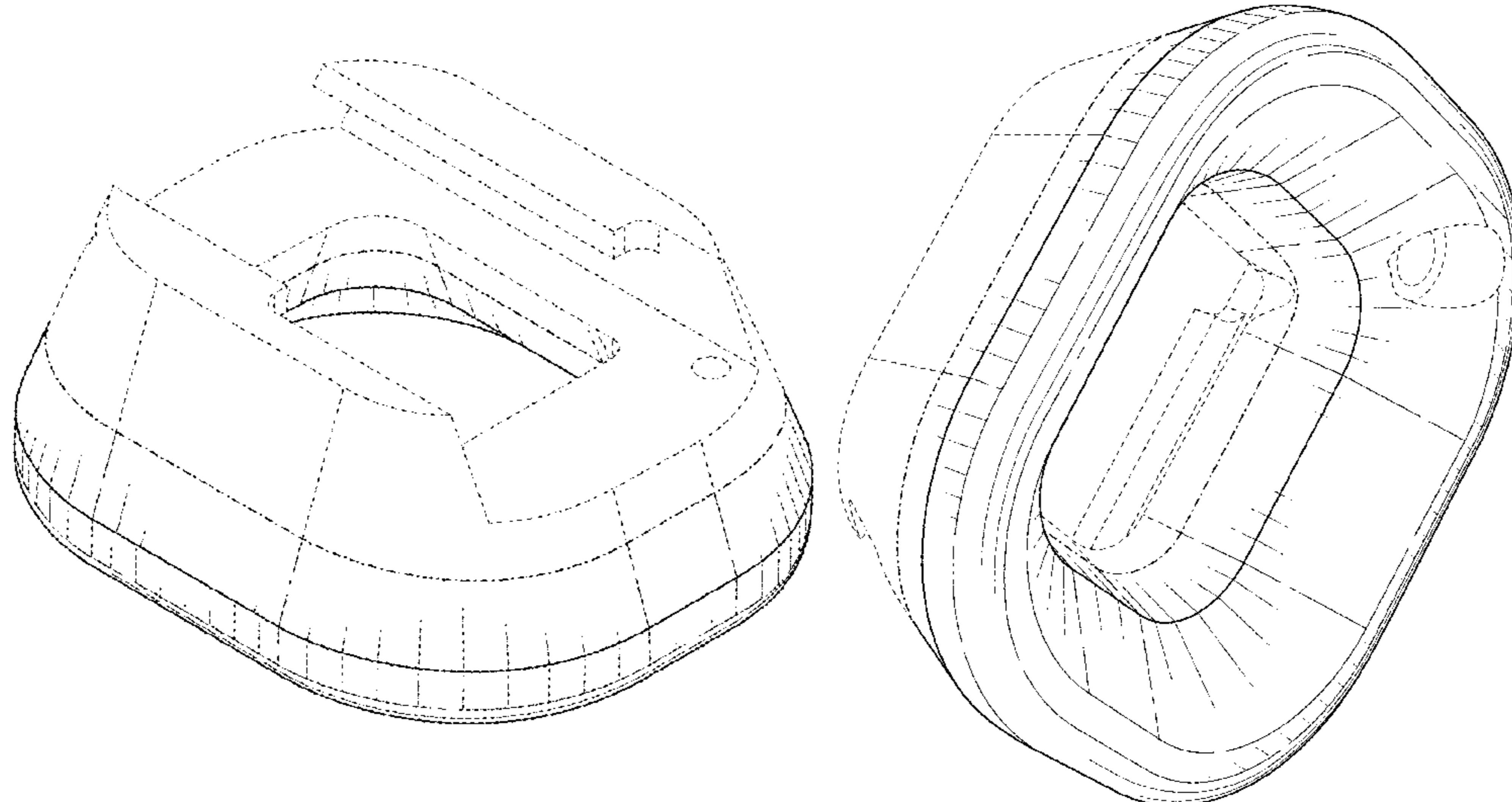
The ornamental design for a magazine insertion funnel, as shown and described.

DESCRIPTION

FIG. 1 is a front, right, and top perspective view of the magazine insertion funnel showing the new design; FIG. 2 is a front, left, and bottom perspective view thereof; FIG. 3 is a front elevation view thereof, the rear elevation view being a mirrored image thereof; FIG. 4 is a right side elevation view thereof; FIG. 5 is a left side elevation view thereof; FIG. 6 is a top plan view thereof; FIG. 7 is a bottom plan view thereof; FIG. 8 is a section along lines 8-8 of FIG. 3; and, FIG. 9 is a section along lines 9-9 of FIG. 4.

The evenly spaced broken lines and the areas within them depict portions of the magazine insertion funnel that form no part of the claimed design. The dot dash dot broken lines depict the boundaries of the claim and form no part thereof.

1 Claim, 6 Drawing Sheets



(56)

References Cited

U.S. PATENT DOCUMENTS

D808,491 S *	1/2018	Chen	D22/108
D808,492 S *	1/2018	Chen	D22/108
D809,085 S *	1/2018	Geissele	D22/108
D812,176 S *	3/2018	Kielsmeier	D22/108
D817,435 S *	5/2018	Chen	D22/108
D821,532 S *	6/2018	Zook	D22/108
2017/0205168 A1 *	7/2017	Chen	F41A 9/65

* cited by examiner

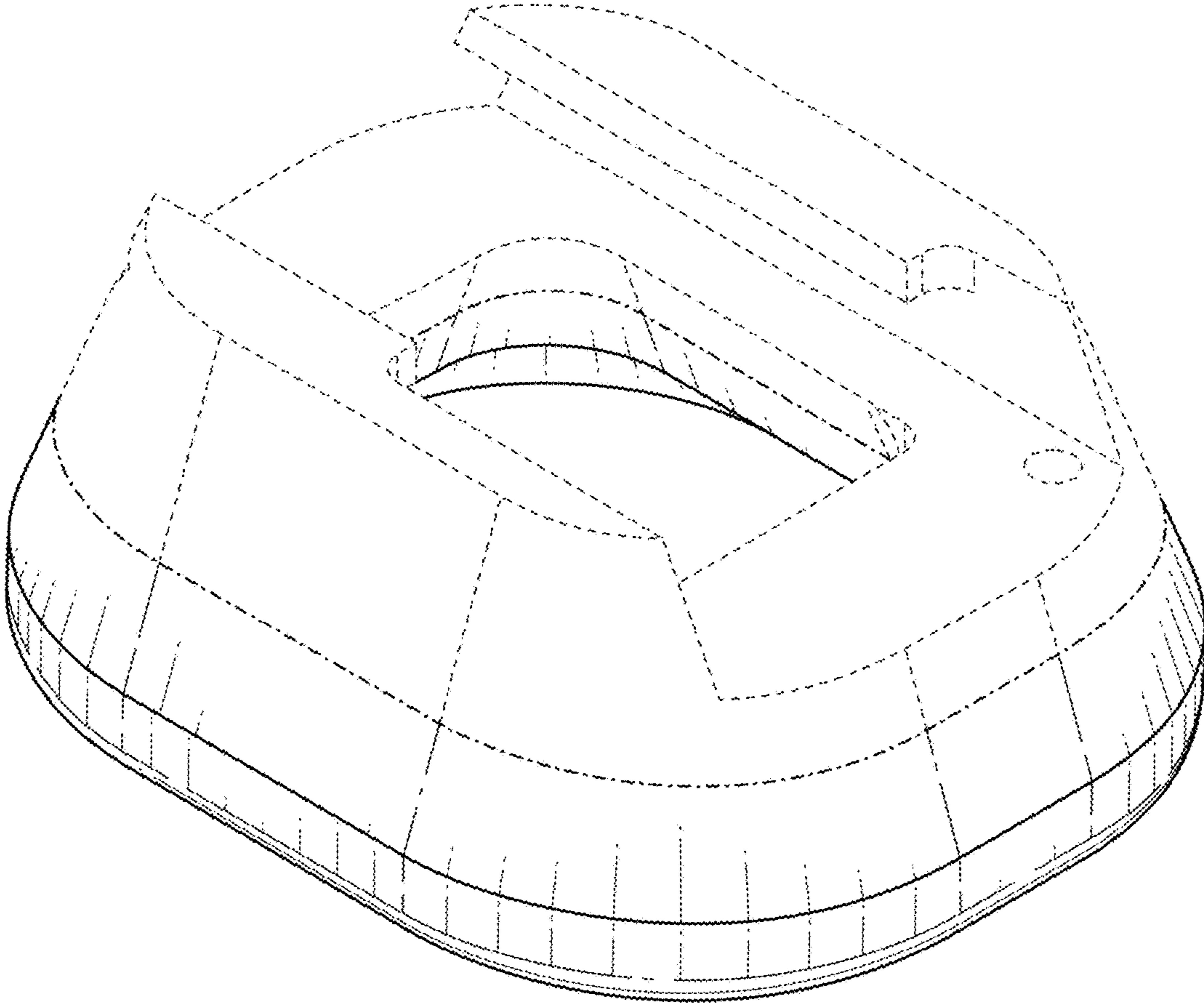


FIG. 1

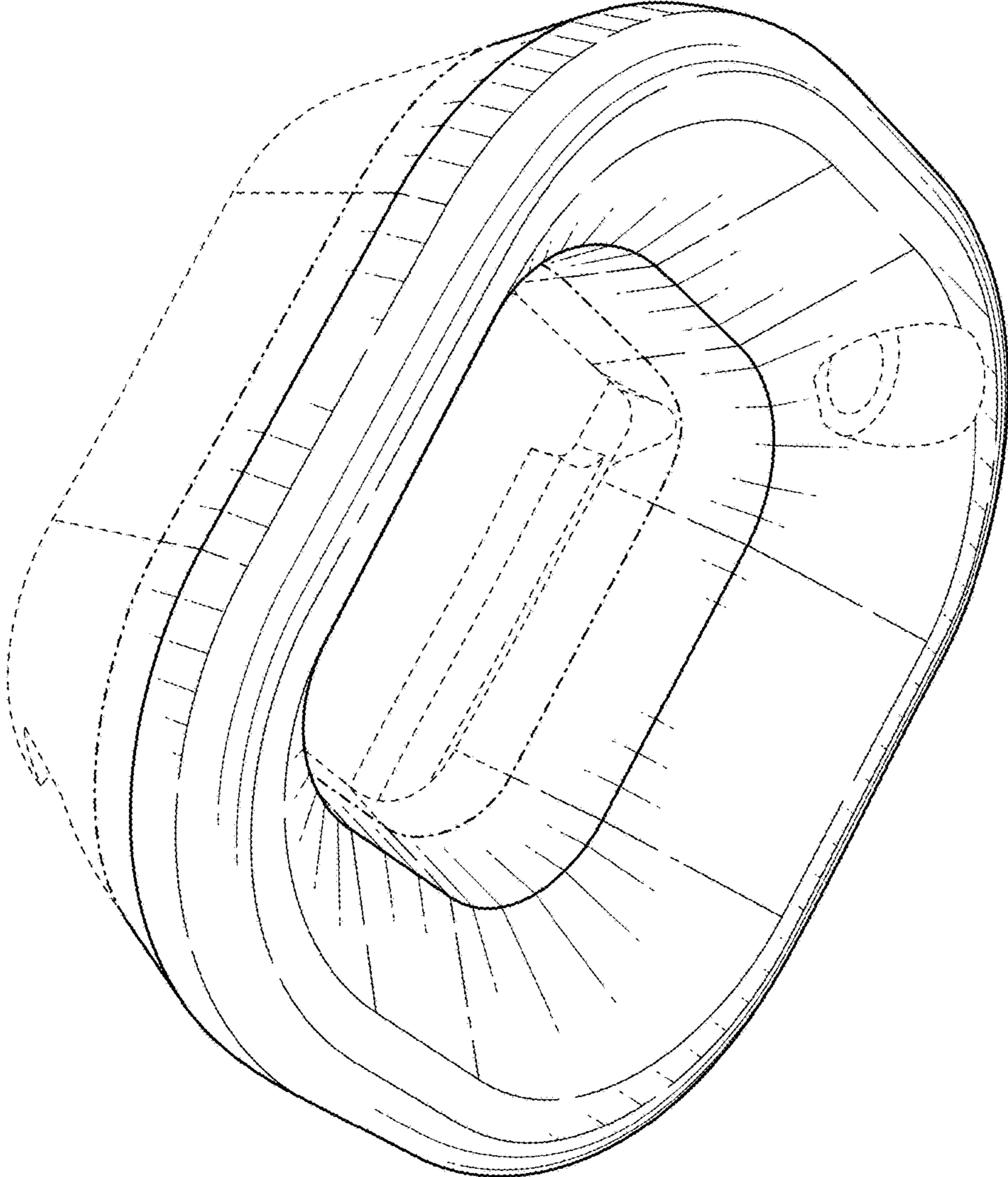


FIG. 2

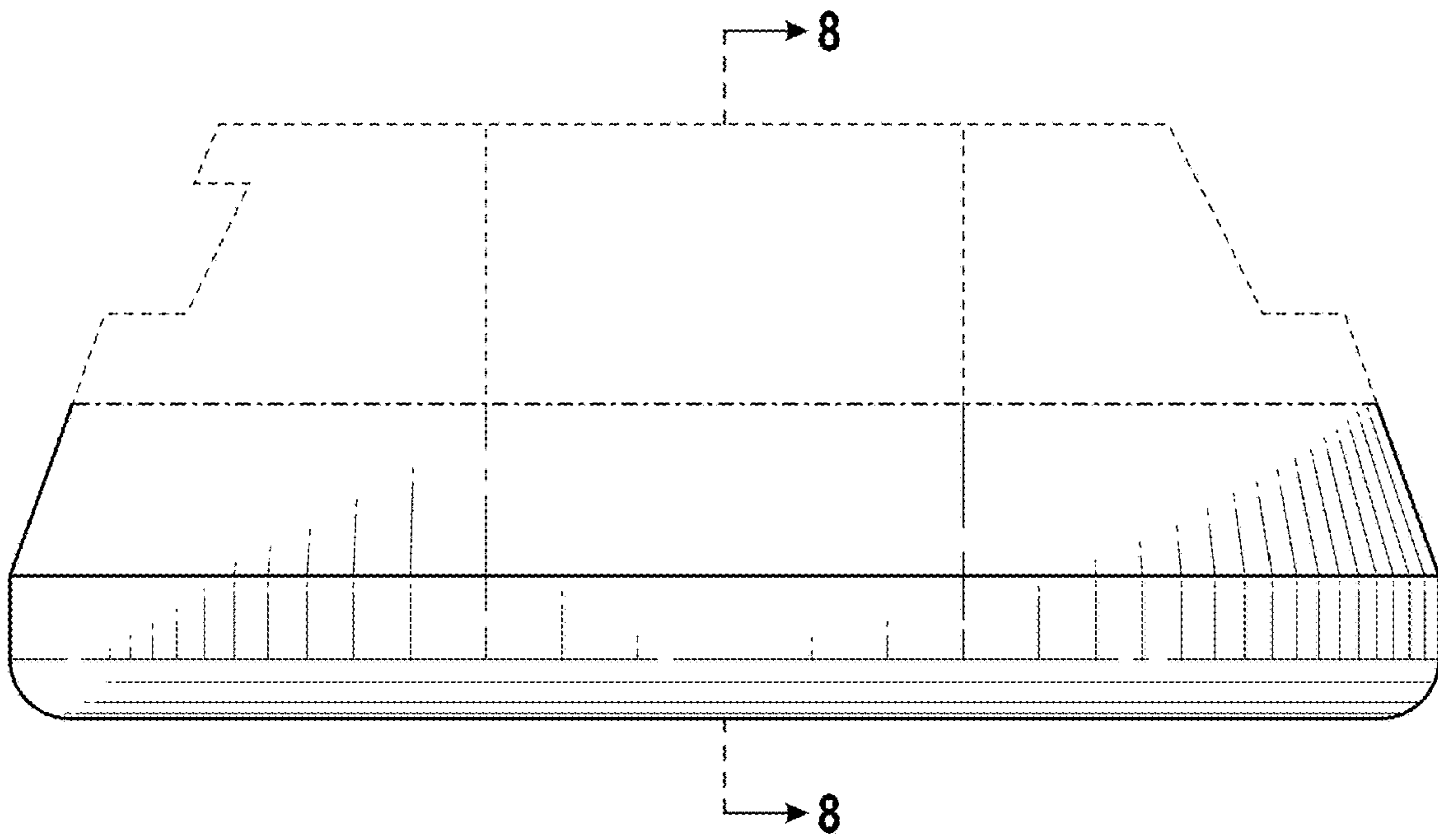


FIG. 3

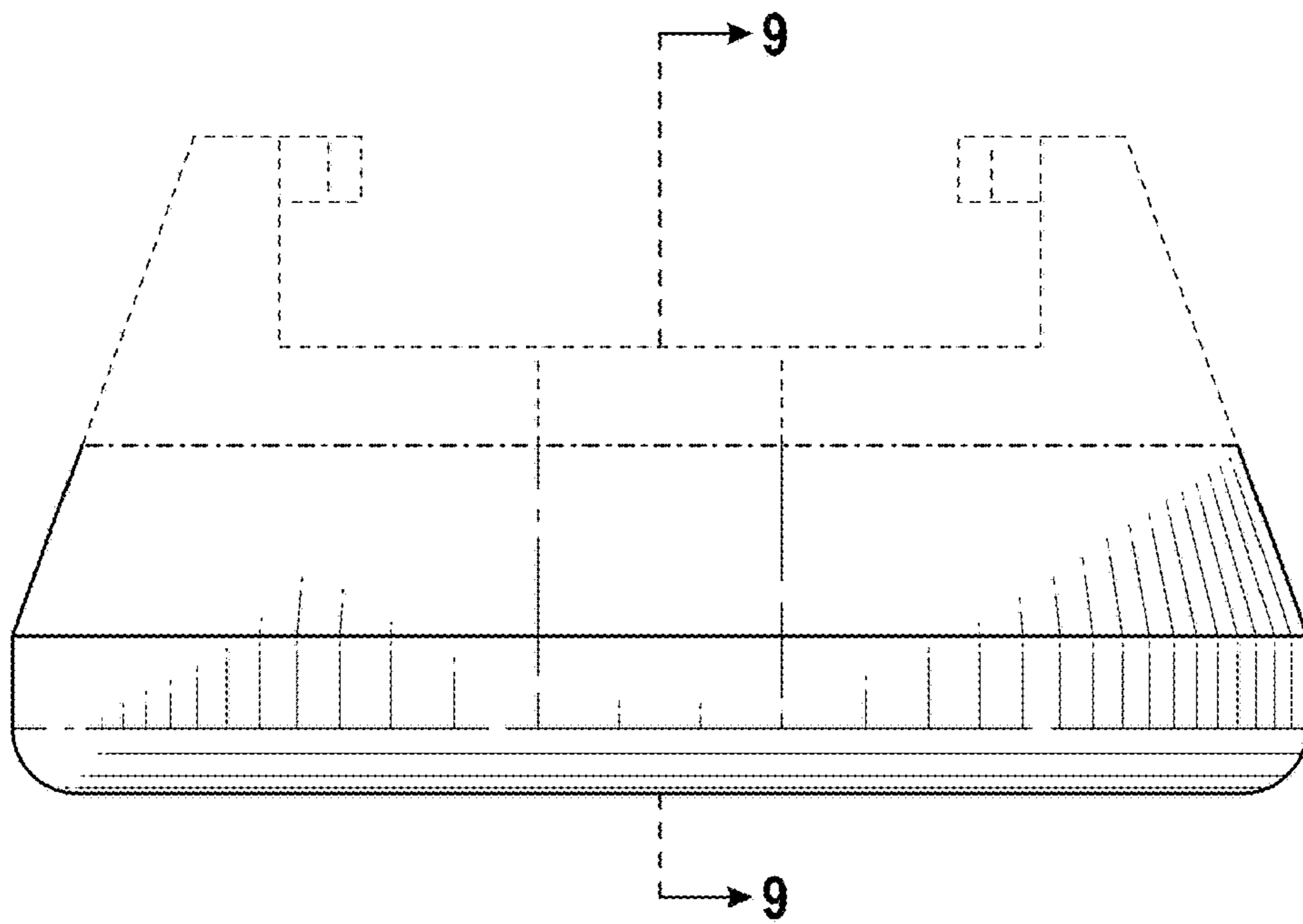


FIG. 4

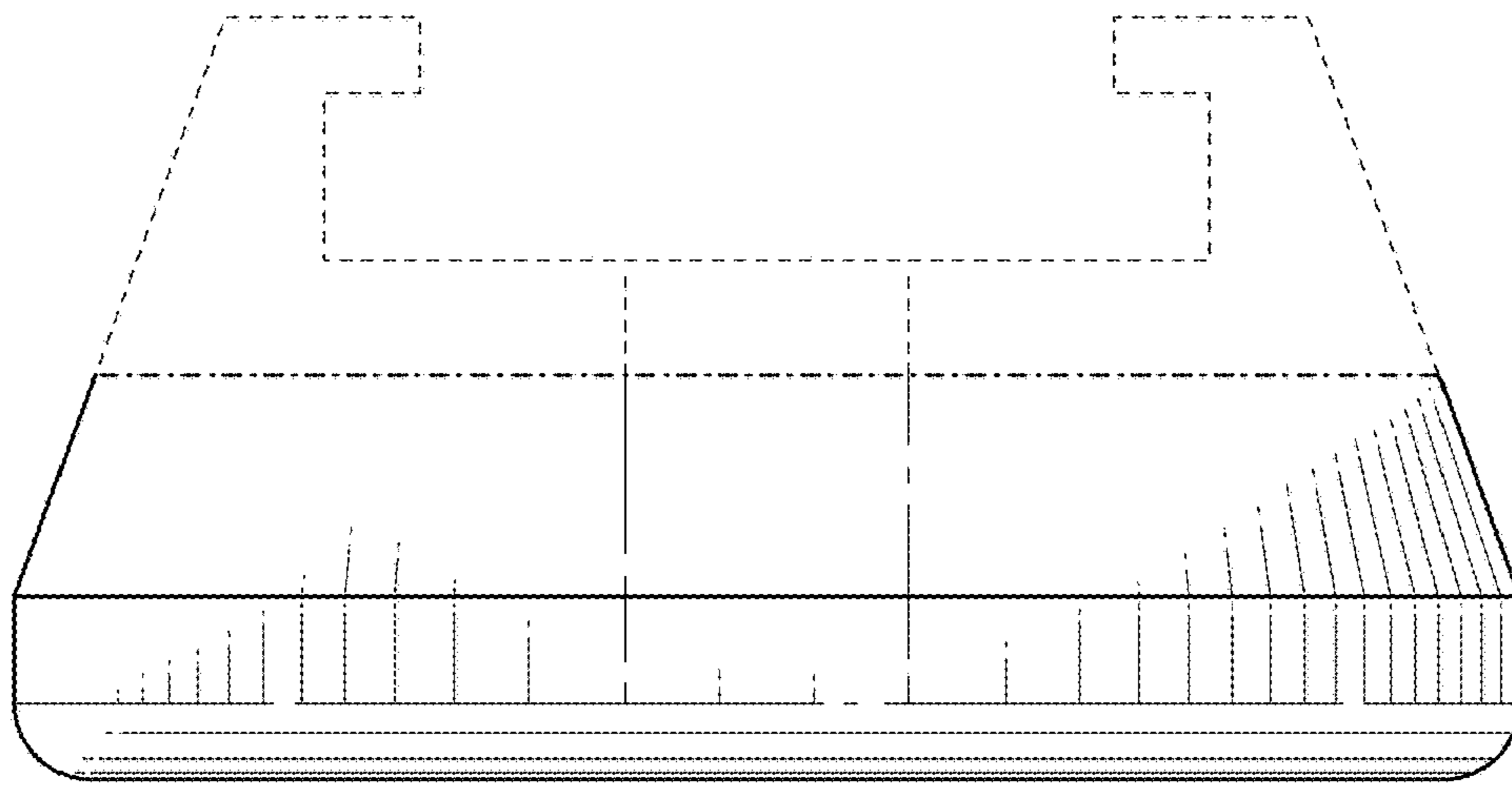


FIG. 5

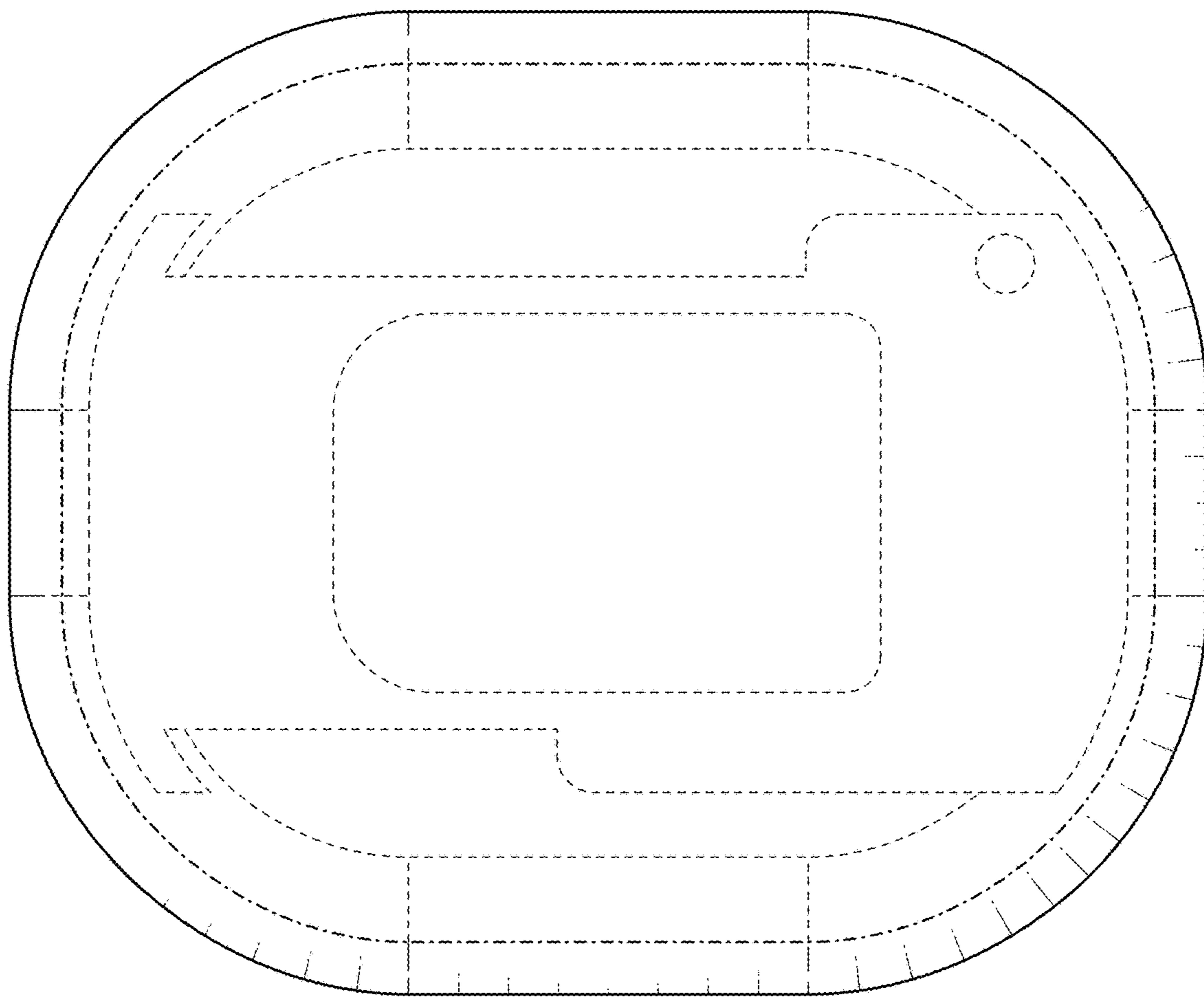


FIG. 6

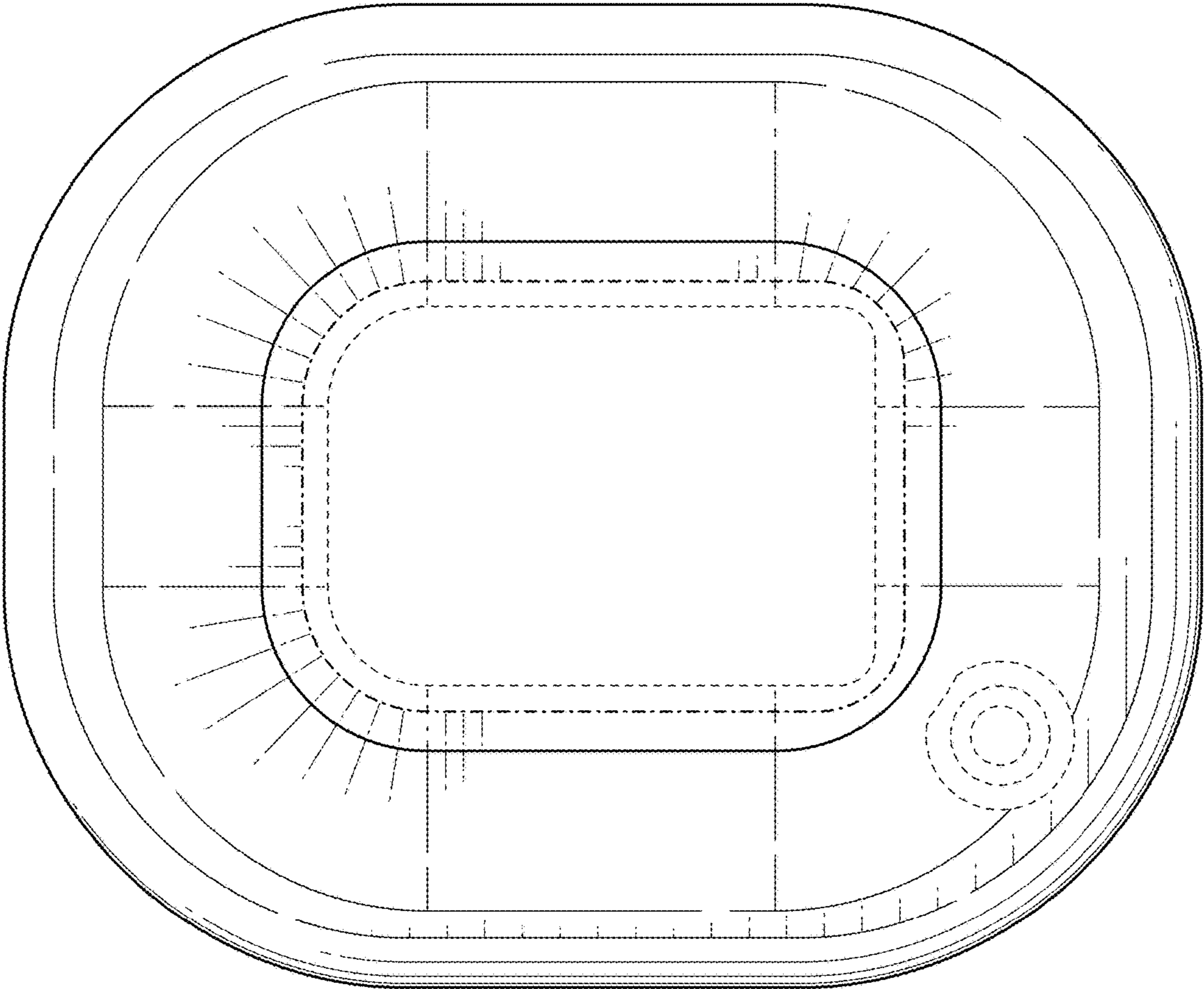


FIG. 7

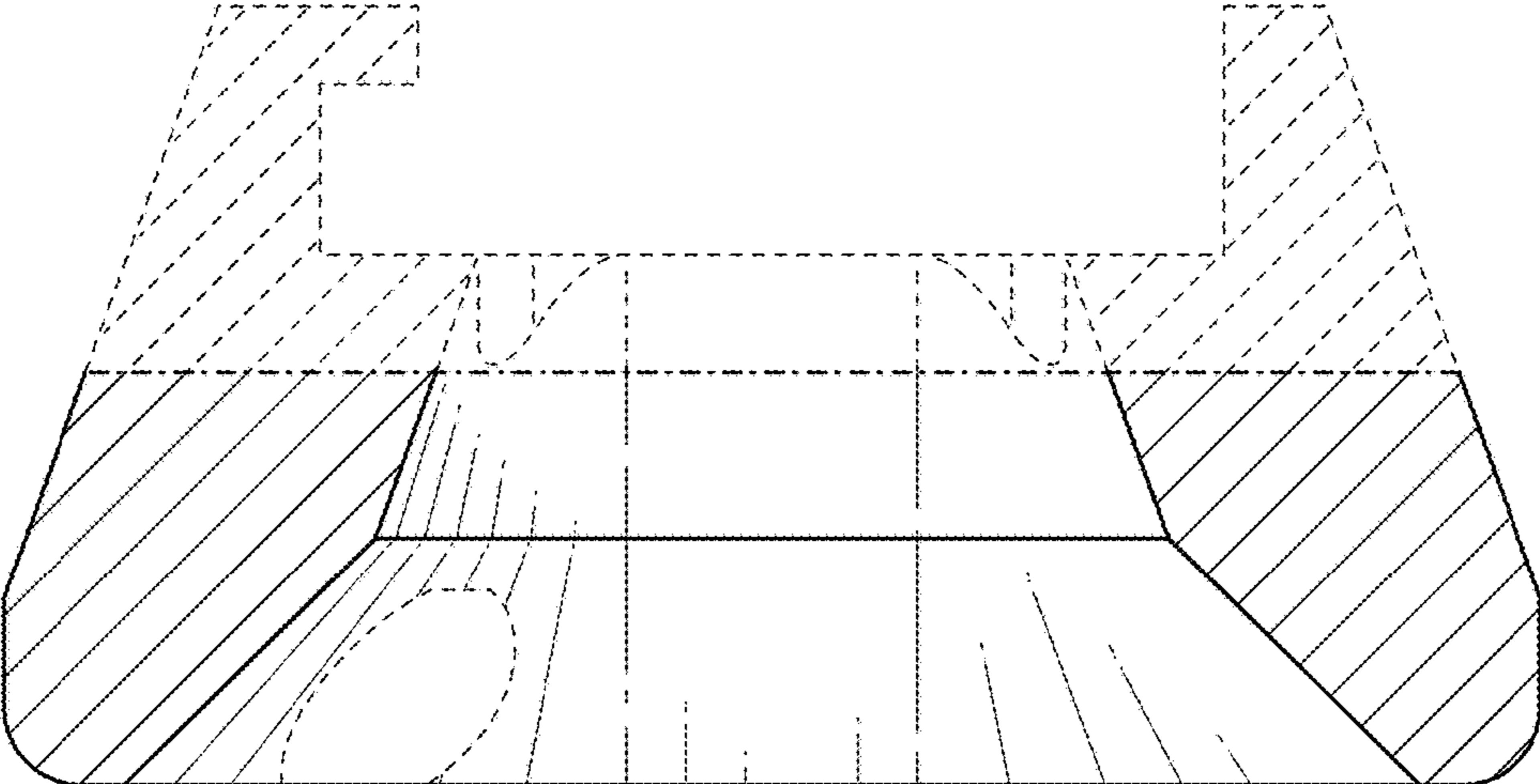


FIG. 8

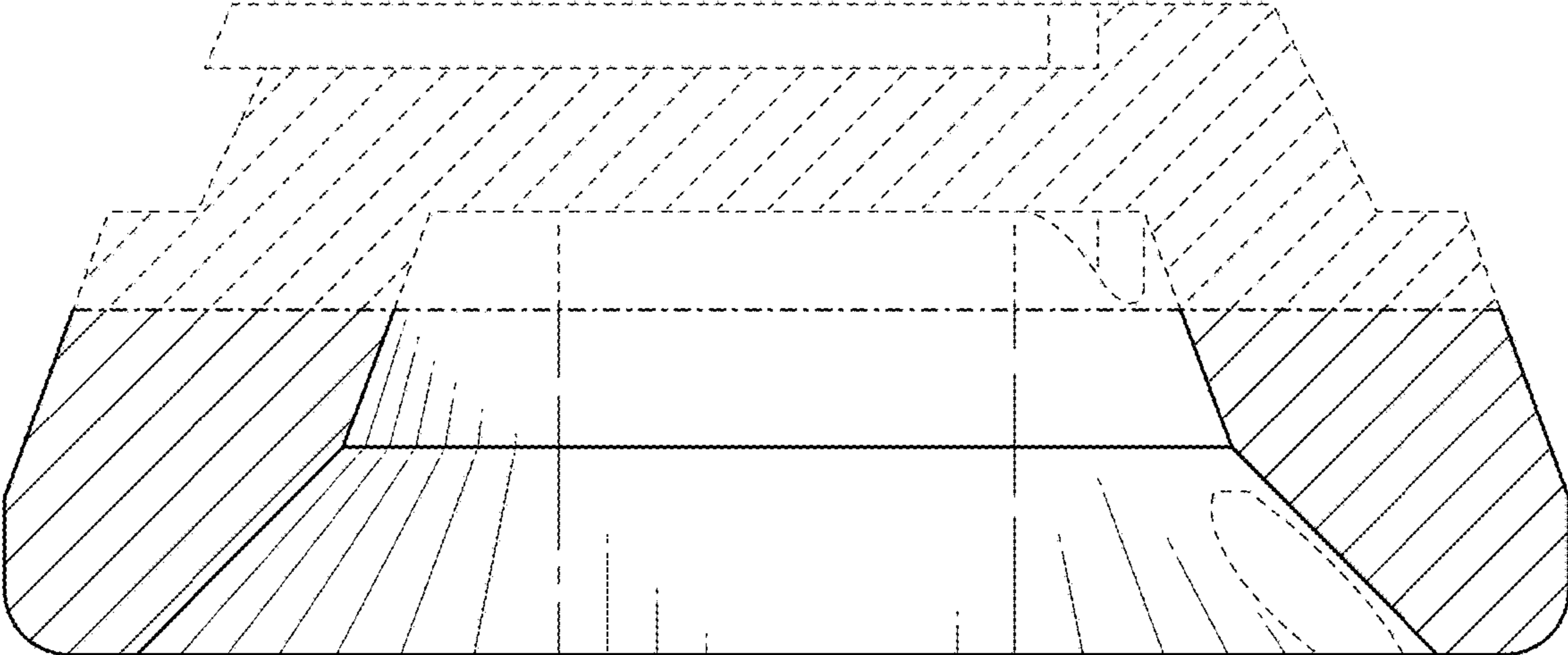


FIG. 9