



US00D841757S

(12) **United States Design Patent**
Russell

(10) **Patent No.:** **US D841,757 S**

(45) **Date of Patent:** **** Feb. 26, 2019**

(54) **MAGAZINE**

(71) Applicant: **Okay Industries, Inc.**, New Britain, CT (US)

(72) Inventor: **Shawn H. Russell**, Bristol, CT (US)

(73) Assignee: **Okay Industries, Inc.**, New Britain, CT (US)

(**) Term: **15 Years**

(21) Appl. No.: **29/621,922**

(22) Filed: **Oct. 12, 2017**

(51) **LOC (11) Cl.** **22-01**

(52) **U.S. Cl.**
USPC **D22/108**

(58) **Field of Classification Search**
USPC D22/100, 101, 103, 106, 108, 109, 110,
D22/111, 117, 199; D21/300, 301, 570,
D21/573, 574, 575
CPC F41B 5/14; F41B 5/00; F41C 27/00; F41C
23/14; F41C 23/06; F41C 3/00; F41C
7/00; F41C 23/20; F41C 23/08; F41C
23/10;

(Continued)

(56) **References Cited**

U.S. PATENT DOCUMENTS

4,408,409 A * 10/1983 Arias L. F41A 9/69
42/50
4,586,281 A * 5/1986 Chesnut F41A 9/65
42/50

(Continued)

OTHER PUBLICATIONS

<https://www.thefirearmblog.com/blog/2018/02/13/surefeed-textured-grip/>—Published 2/13/2018.*

(Continued)

Primary Examiner — Manpreet S Matharu

Assistant Examiner — Mojtaba Tehrani

(74) *Attorney, Agent, or Firm* — Alix, Yale & Ristas, LLP

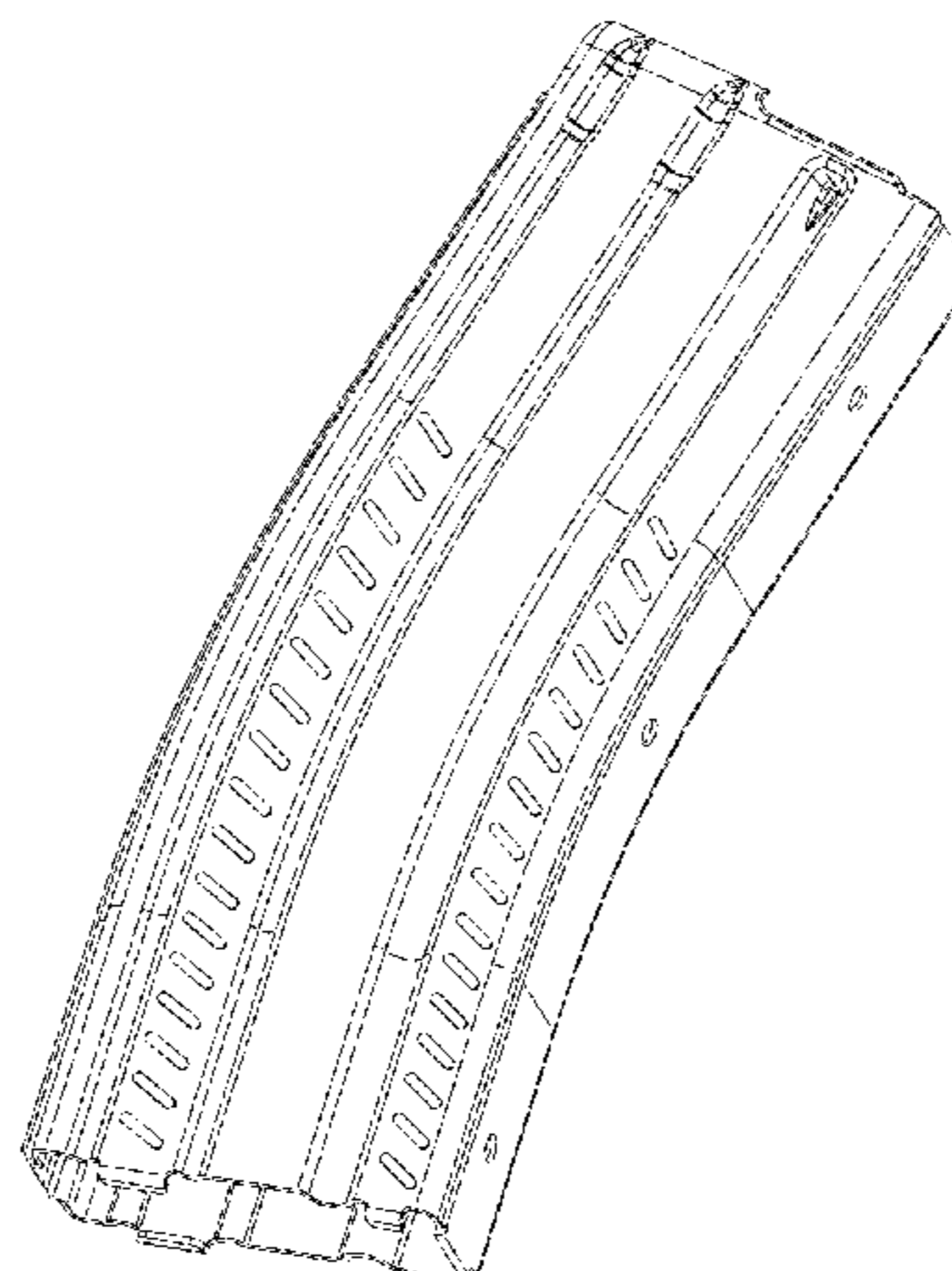
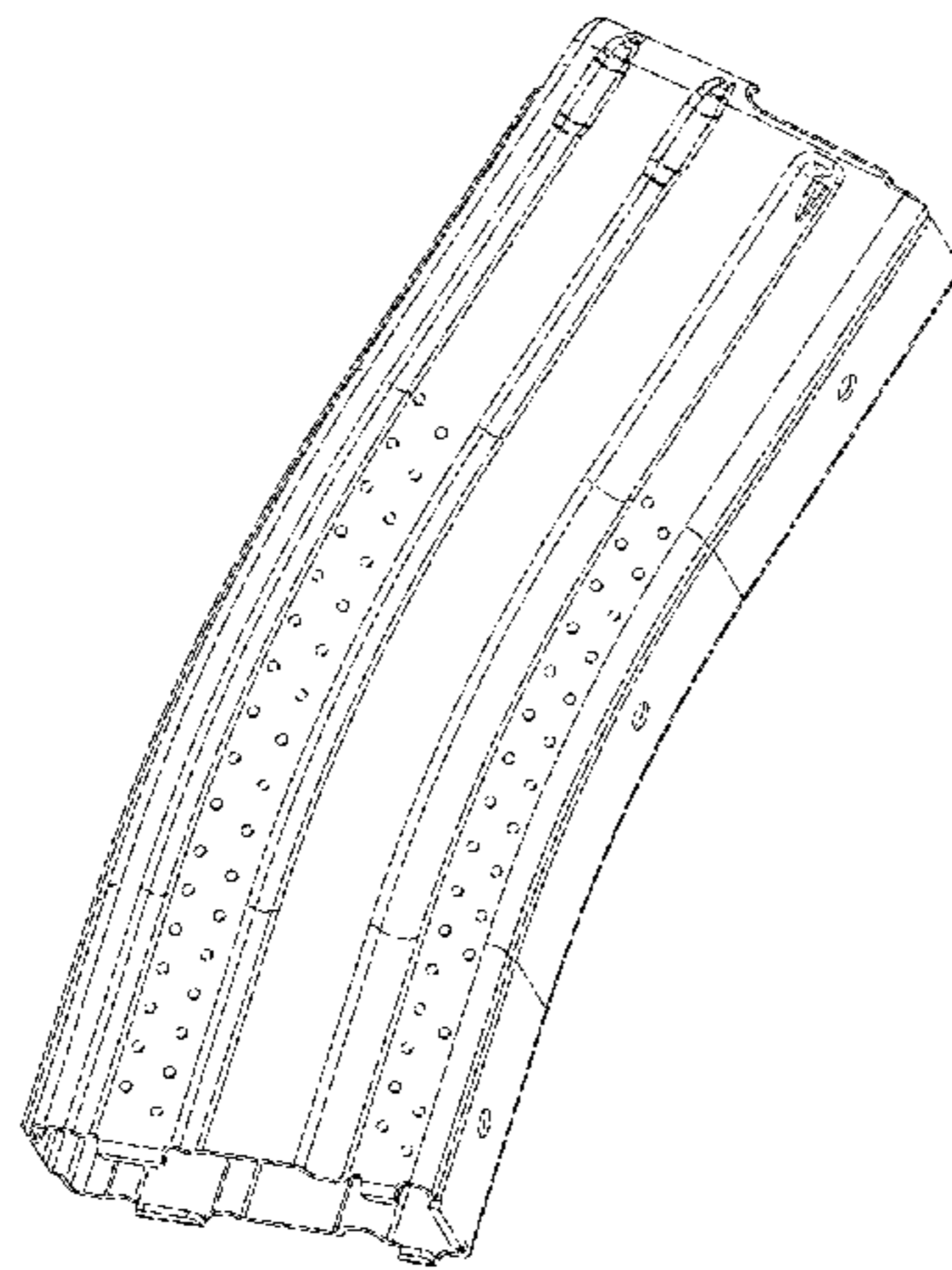
(57) **CLAIM**

The ornamental design for a magazine, as shown and described.

DESCRIPTION

FIG. 1 is a perspective view of the first embodiment of a magazine, showing my new design;
FIG. 2 is a front view thereof;
FIG. 3 is a rear view thereof;
FIG. 4 is a right side view thereof;
FIG. 5 is a left side view thereof;
FIG. 6 is a top plan view thereof;
FIG. 7 is a bottom plan view thereof;
FIG. 8 is a perspective view of the second embodiment of a magazine, showing my new design;
FIG. 9 is a front view thereof;
FIG. 10 is a rear view thereof;
FIG. 11 is a right side view thereof;
FIG. 12 is a left side view thereof;
FIG. 13 is a top plan view thereof;
FIG. 14 is a bottom plan view thereof;
FIG. 15 is a perspective view of the third embodiment of a magazine, showing my new design;
FIG. 16 is a front view thereof;
FIG. 17 is a rear view thereof;
FIG. 18 is a right side view thereof;
FIG. 19 is a left side view thereof;
FIG. 20 is a top plan view thereof;
FIG. 21 is a bottom plan view thereof;
FIG. 22 is a perspective view of the fourth embodiment of a magazine, showing my new design;
FIG. 23 is a front view thereof;
FIG. 24 is a rear view thereof;
FIG. 25 is a right side view thereof;
FIG. 26 is a left side view thereof;
FIG. 27 is a top plan view thereof; and,
FIG. 28 is a bottom plan view thereof.

1 Claim, 20 Drawing Sheets



- (58) **Field of Classification Search**
 CPC . F41G 11/003; F41G 1/18; F41G 1/38; F41G
 1/545
 See application file for complete search history.

(56) **References Cited**

U.S. PATENT DOCUMENTS

D297,854	S *	9/1988	Vyprachticky	D22/108
5,113,605	A *	5/1992	Kim	F41A 9/71
					42/50
6,634,131	B1 *	10/2003	Fitzpatrick	F41A 9/65
					224/196
6,754,987	B1 *	6/2004	Cheng	F41A 9/83
					42/87
D616,057	S *	5/2010	Fitzpatrick	D22/108
D620,544	S *	7/2010	Fitzpatrick	D22/108
D620,545	S *	7/2010	Fitzpatrick	D22/108
D633,164	S *	2/2011	Fitzpatrick	D22/108
D633,589	S *	3/2011	Fitzpatrick	D22/108
8,006,423	B1 *	8/2011	Alzamora	F41A 9/65
					42/49.01
D645,112	S *	9/2011	Sullivan	D22/108
D672,837	S *	12/2012	Wyatt	D22/108
D678,455	S *	3/2013	Hatfield	D22/108
D689,692	S *	9/2013	Jordan	D3/271.1
D691,233	S *	10/2013	Bennett	D22/108
D695,378	S *	12/2013	Fitzpatrick	D22/108
D704,790	S *	5/2014	Mayberry	D22/108
D705,886	S *	5/2014	Kielsmeier	D22/108
D706,379	S *	6/2014	Iannello	D22/108
D706,880	S *	6/2014	Chu	D21/573

D712,500	S *	9/2014	Nakayama	D22/108
D716,903	S *	11/2014	Larmer	D22/108
8,943,727	B2 *	2/2015	Russell	F41A 9/65
					42/50
D727,456	S *	4/2015	Schefter	D22/108
D735,831	S *	8/2015	Faifer	D22/108
D736,337	S *	8/2015	Kielsmeier	D22/108
D738,454	S *	9/2015	Smith	D22/108
D755,336	S *	5/2016	Nakayama	D22/108
D790,649	S *	6/2017	Daniel	D22/108
D799,632	S *	10/2017	Ulbrich	D22/108
D804,603	S *	12/2017	Kielsmeier	D22/108
D808,493	S *	1/2018	Lee	D22/108
D821,533	S *	6/2018	Nuss	D22/108
2009/0094875	A1 *	4/2009	Kim	F41A 9/62
					42/1.02
2010/0101132	A1 *	4/2010	Jacobson	F41A 9/65
					42/50
2011/0167695	A1 *	7/2011	Faifer	F41A 9/67
					42/50
2012/0233899	A1 *	9/2012	Daniel	F41A 9/65
					42/49.01
2012/0246988	A1 *	10/2012	Ladner	F41A 9/71
					42/49.02
2015/0121736	A1 *	5/2015	Faifer	F41A 9/65
					42/49.01

OTHER PUBLICATIONS

<https://www.thefirearmblog.com/blog/2016/12/19/tfb-christmas-magazines/>—Published Dec. 19, 2016.*

* cited by examiner

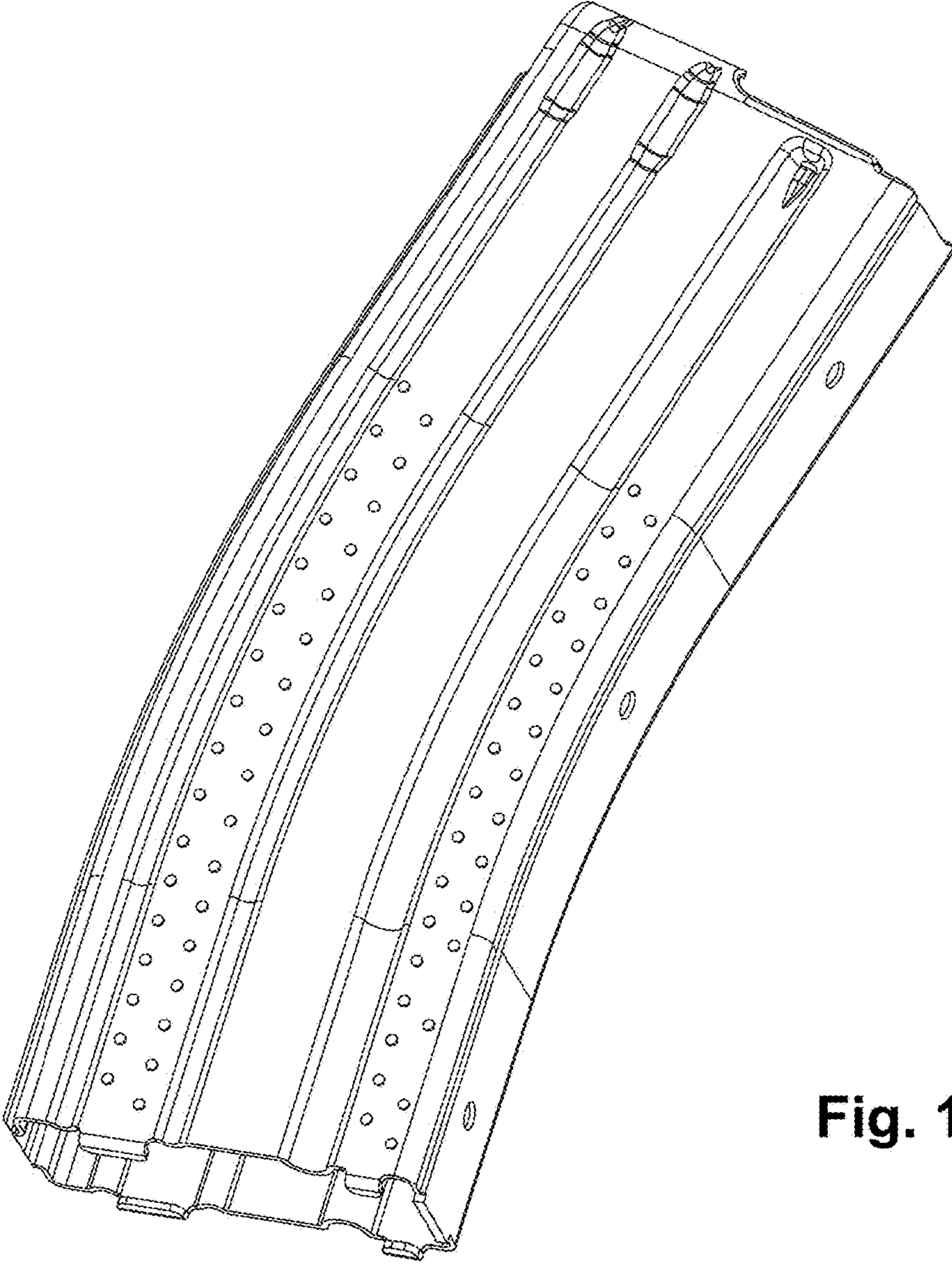


Fig. 1

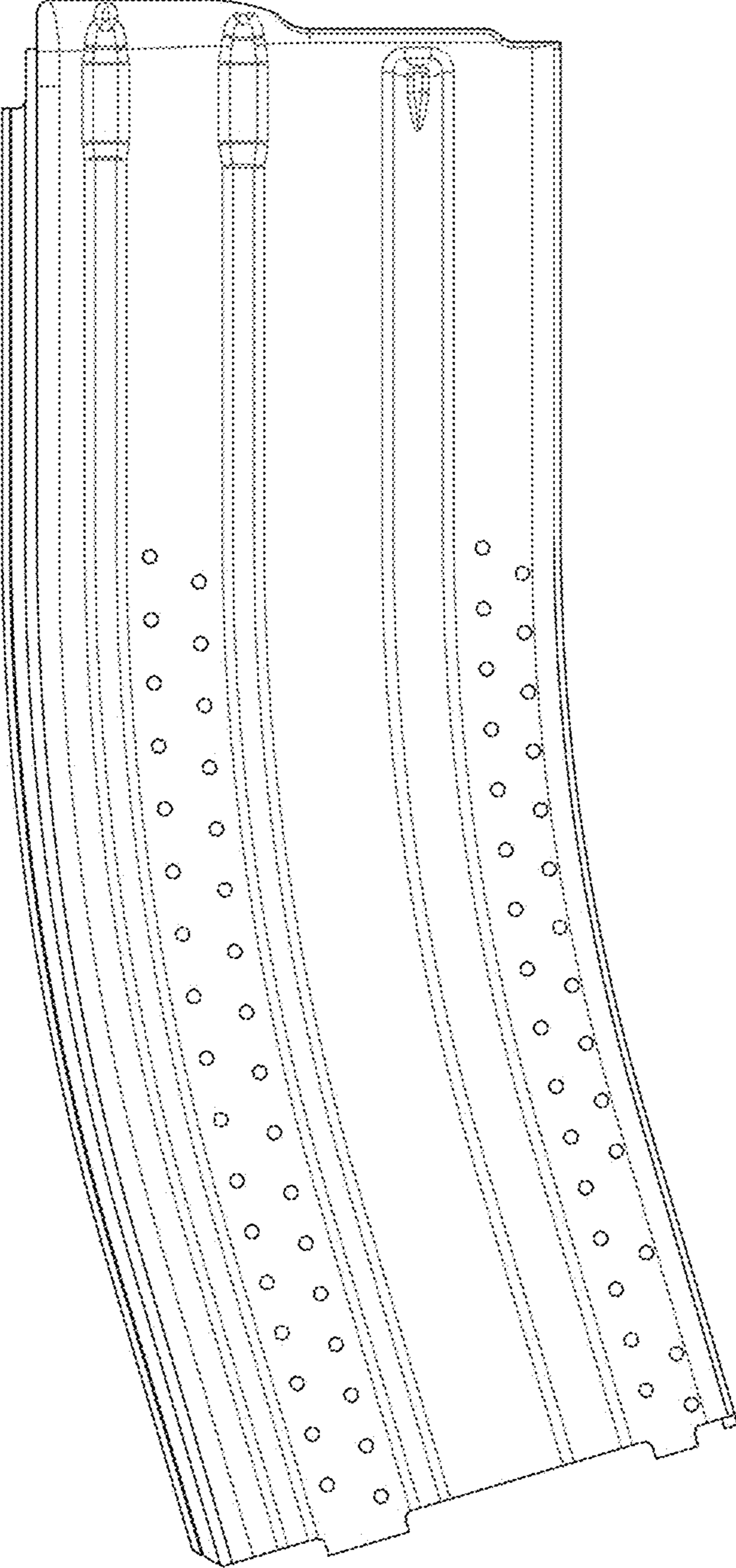


Fig. 2

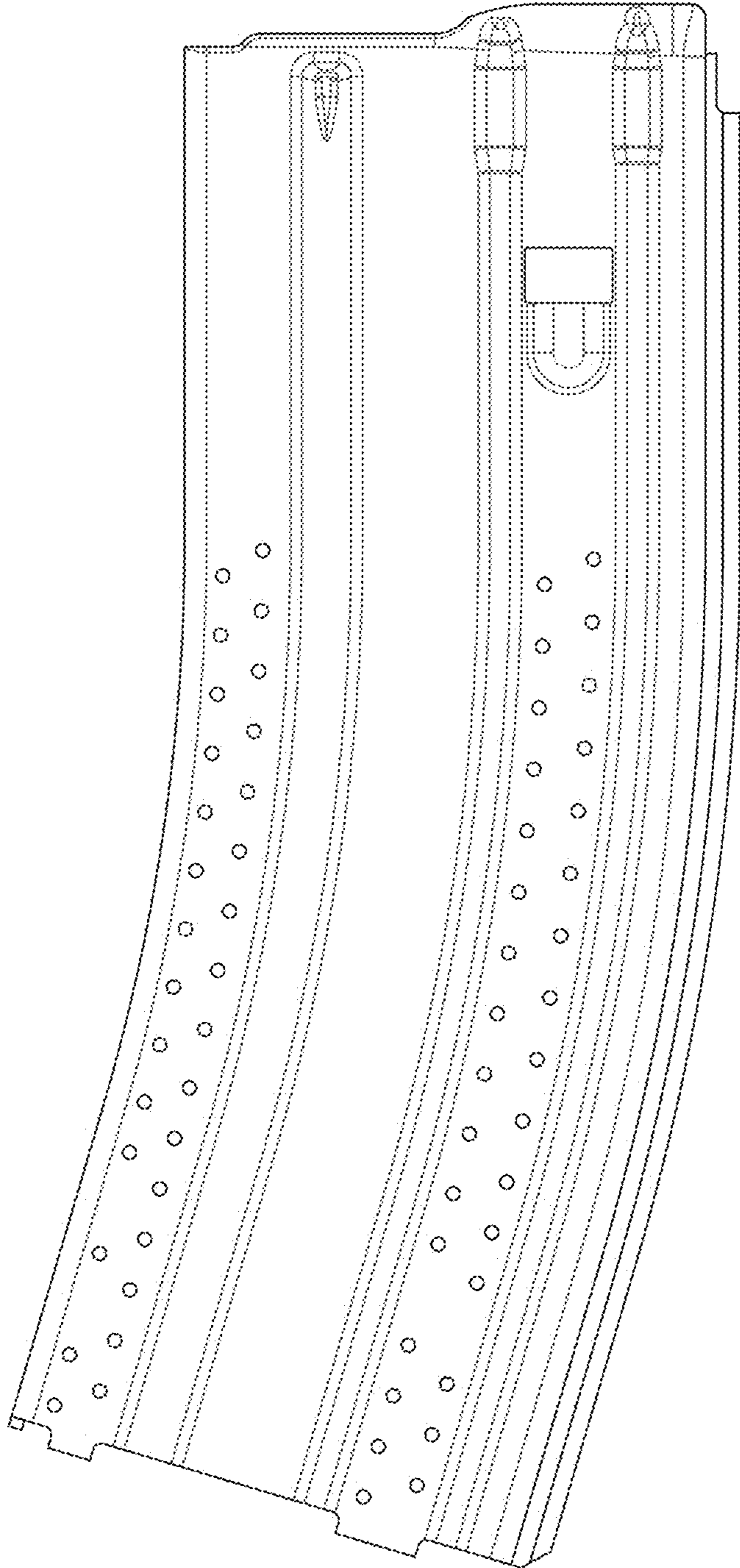


Fig. 3

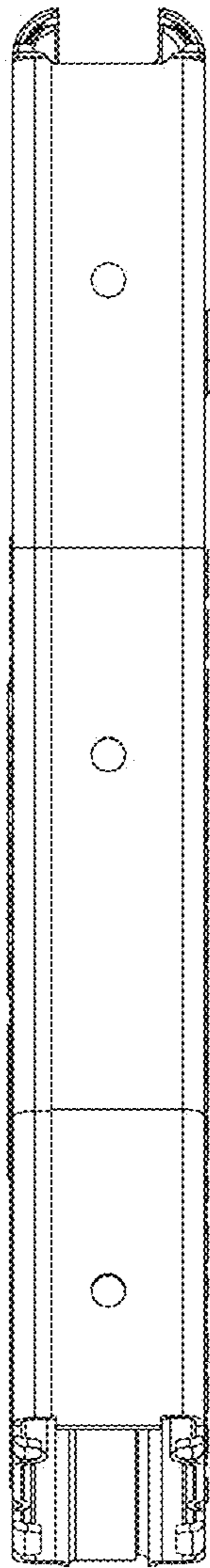


Fig. 4

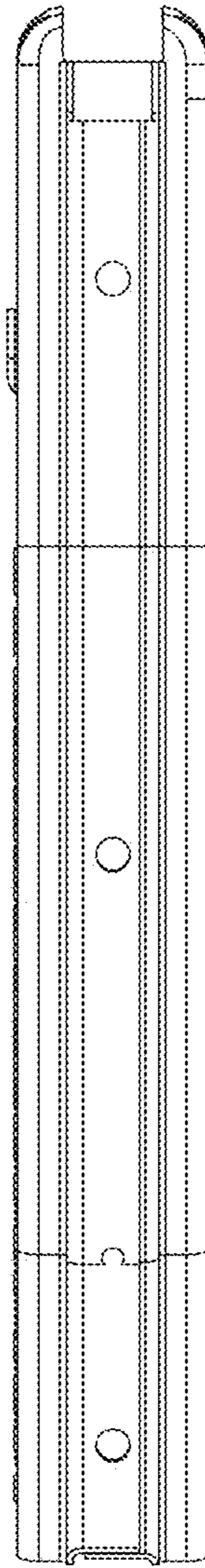


Fig. 5

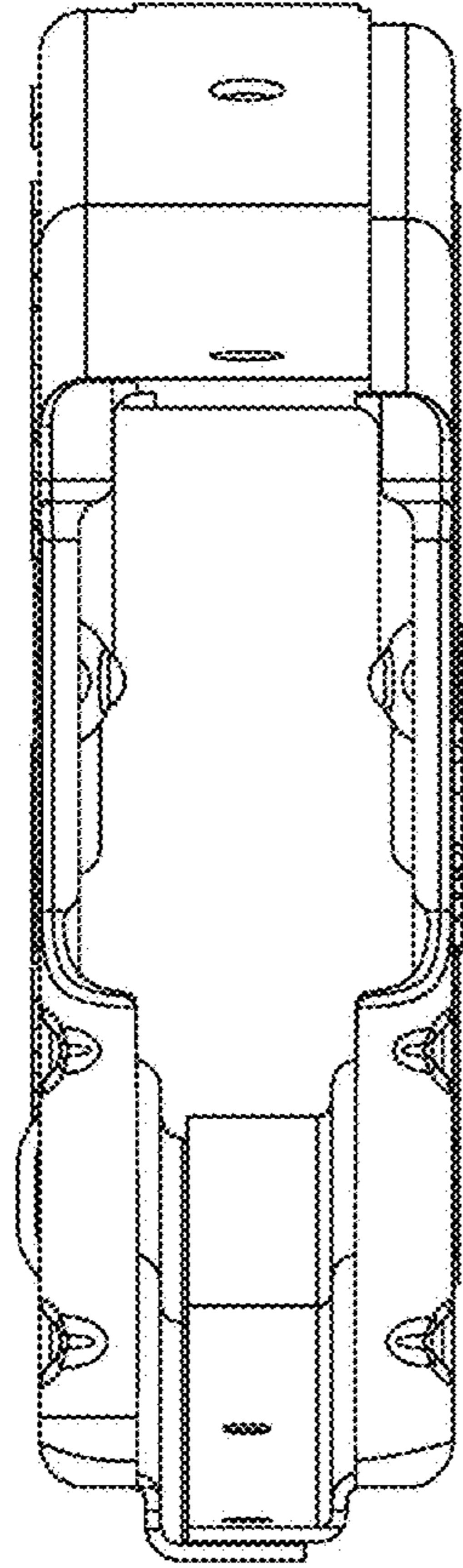


Fig. 6

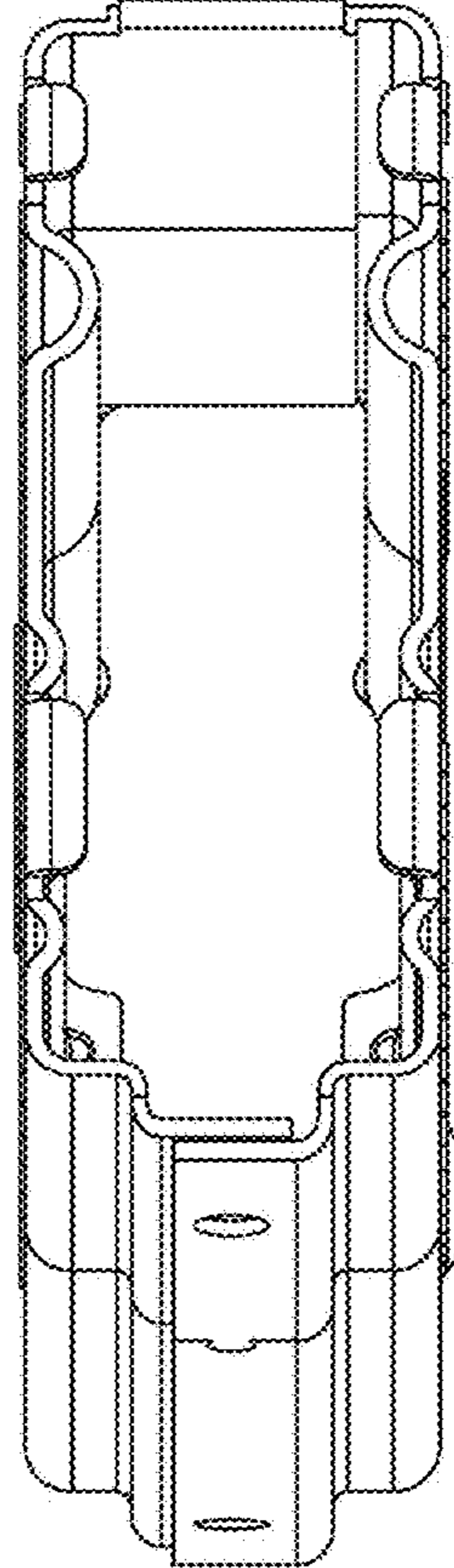


Fig. 7

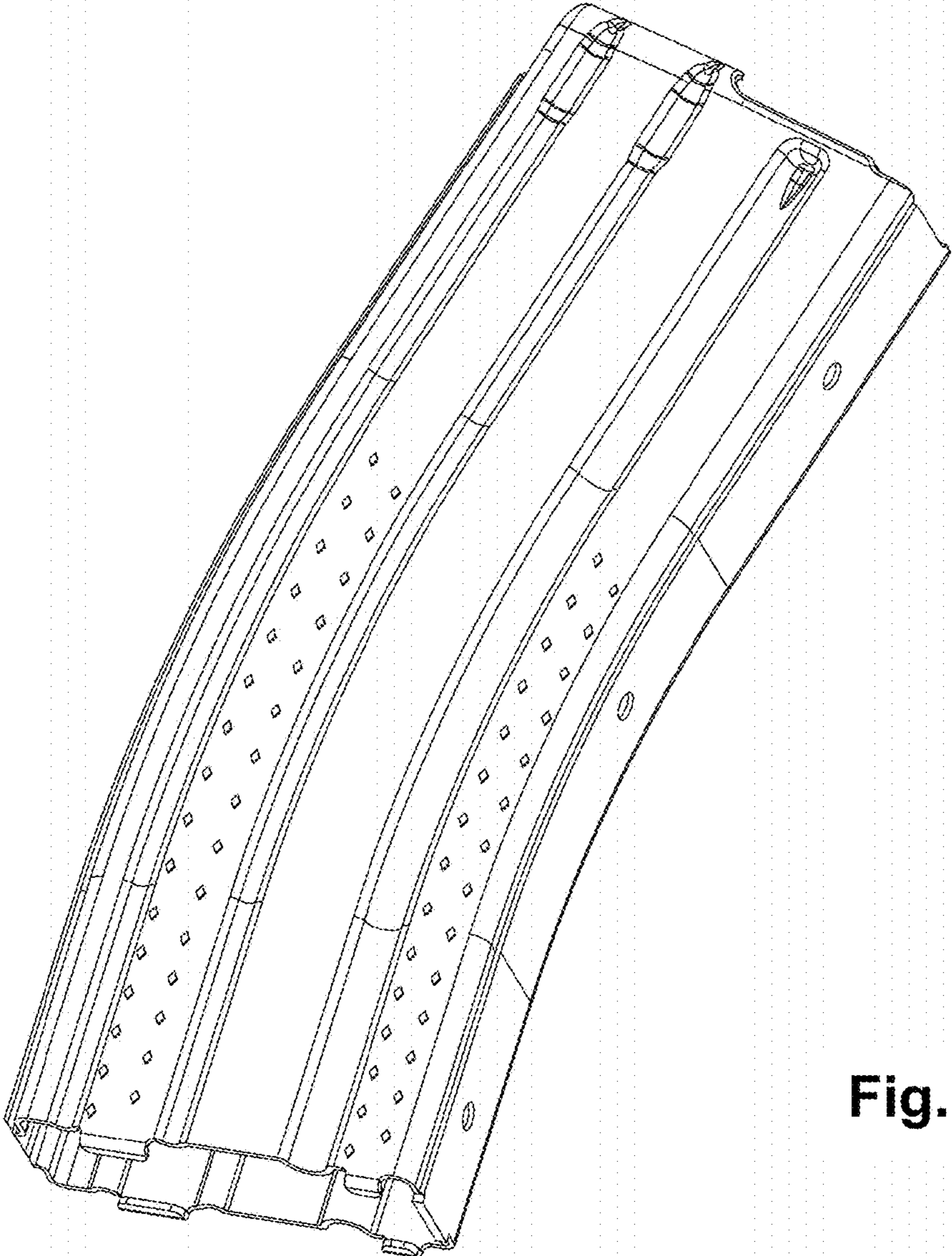


Fig. 8

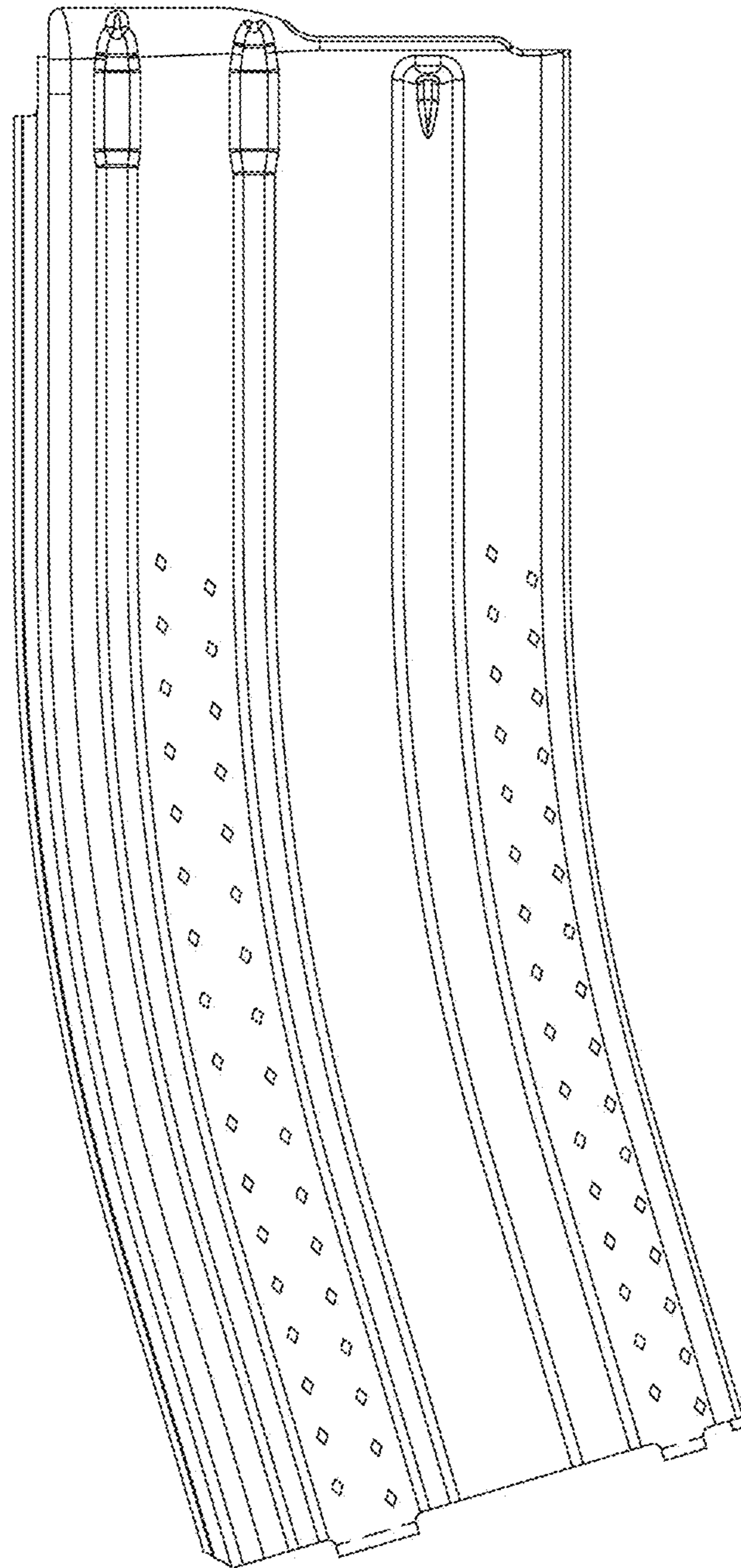


Fig. 9

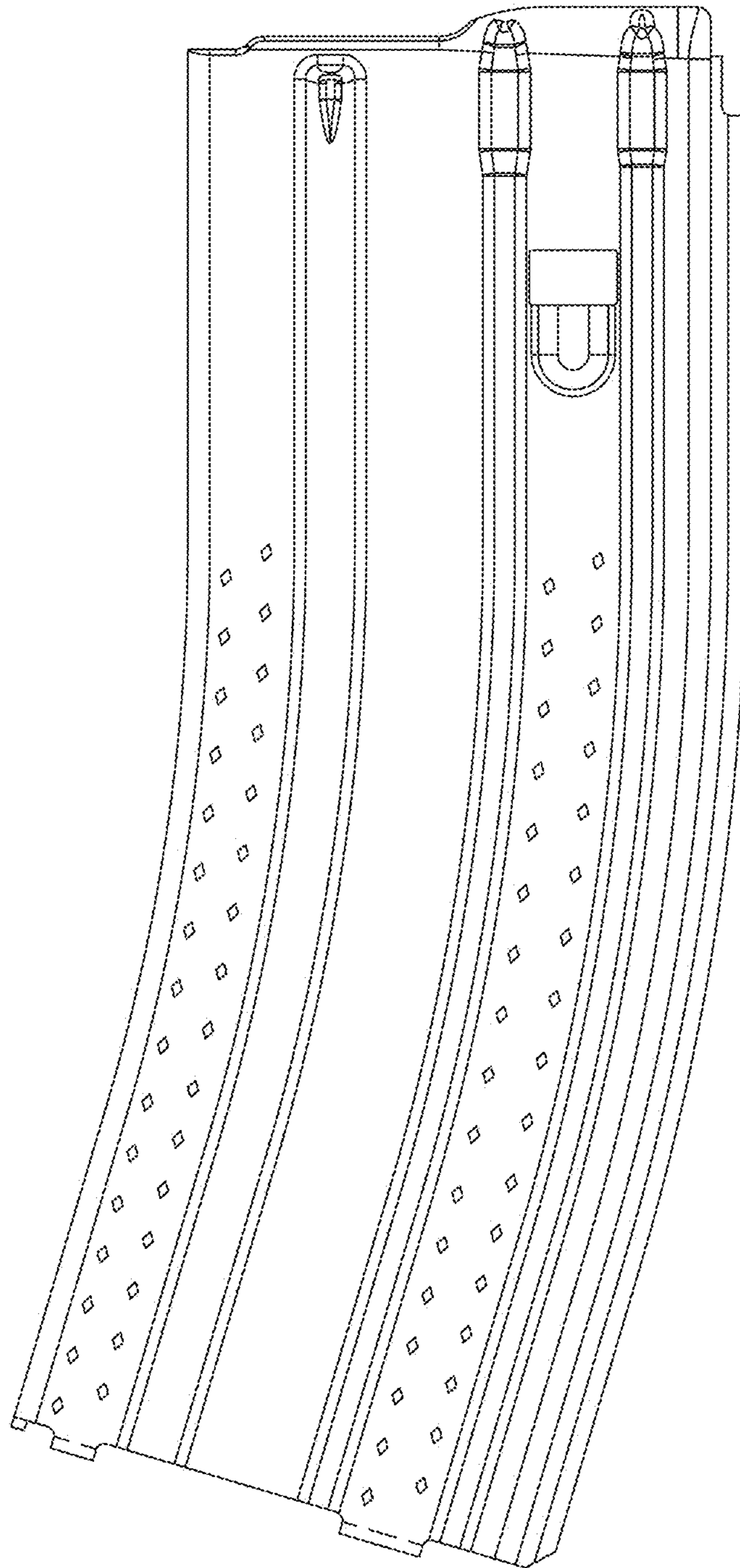


Fig. 10

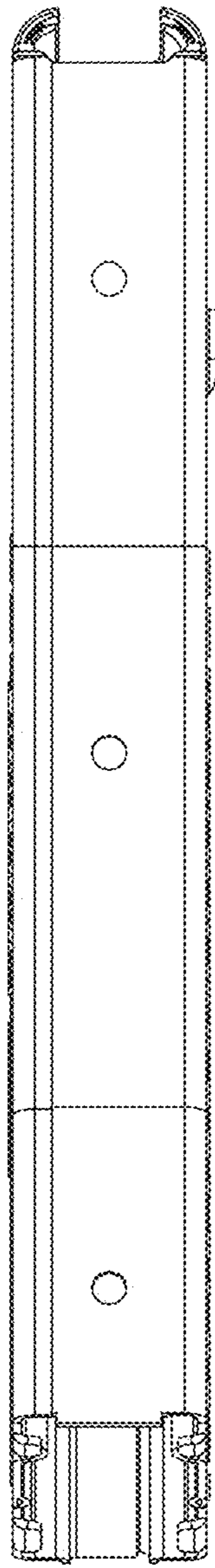


Fig. 11

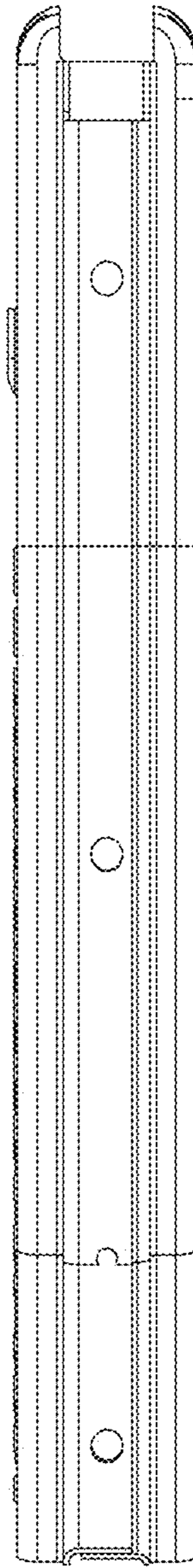


Fig. 12

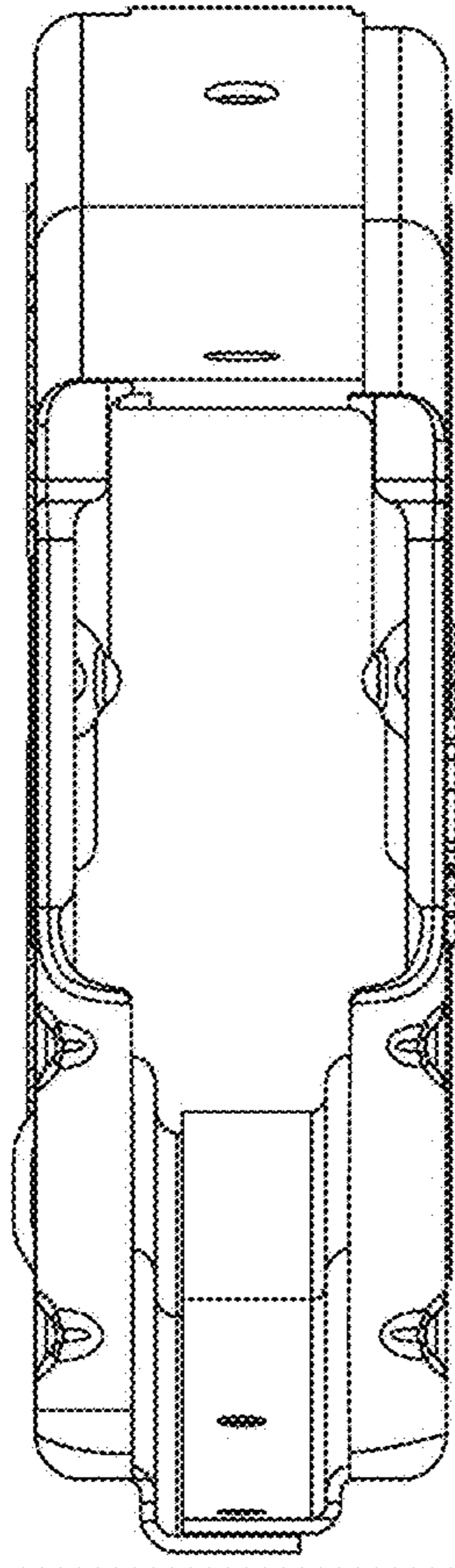


Fig. 13

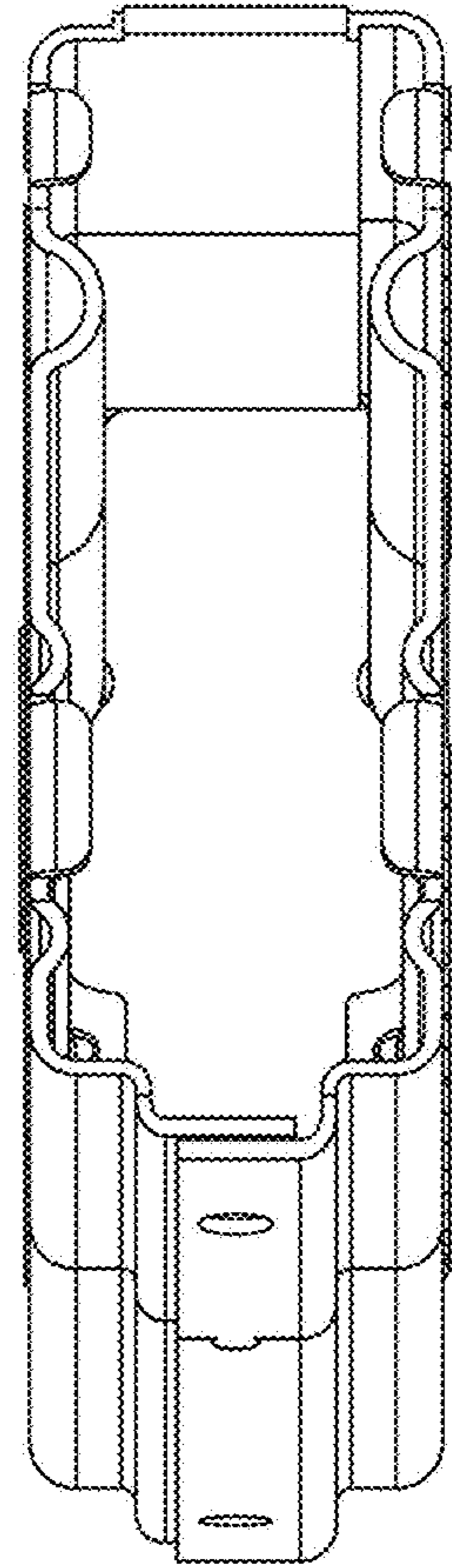


Fig. 14

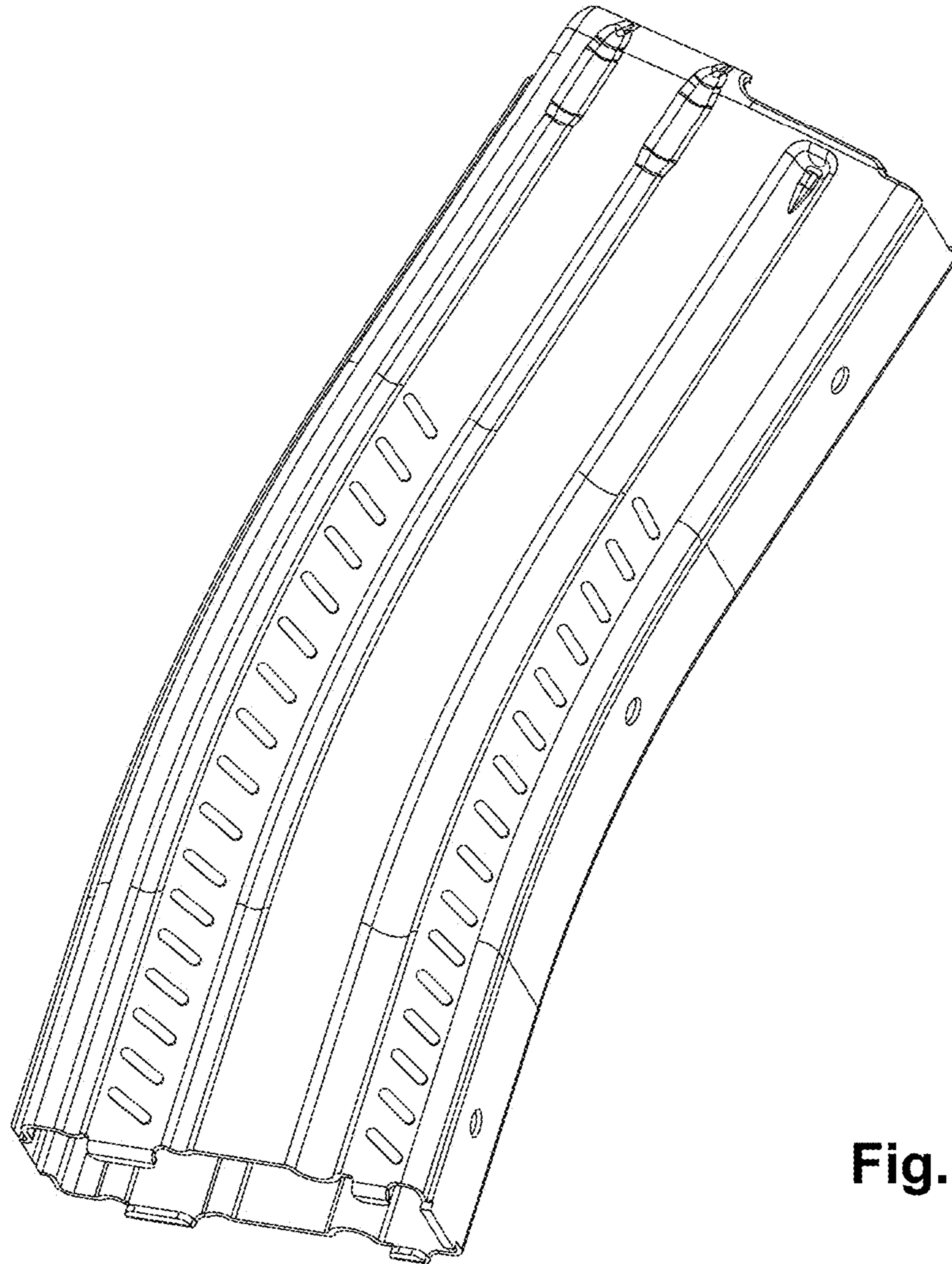


Fig. 15

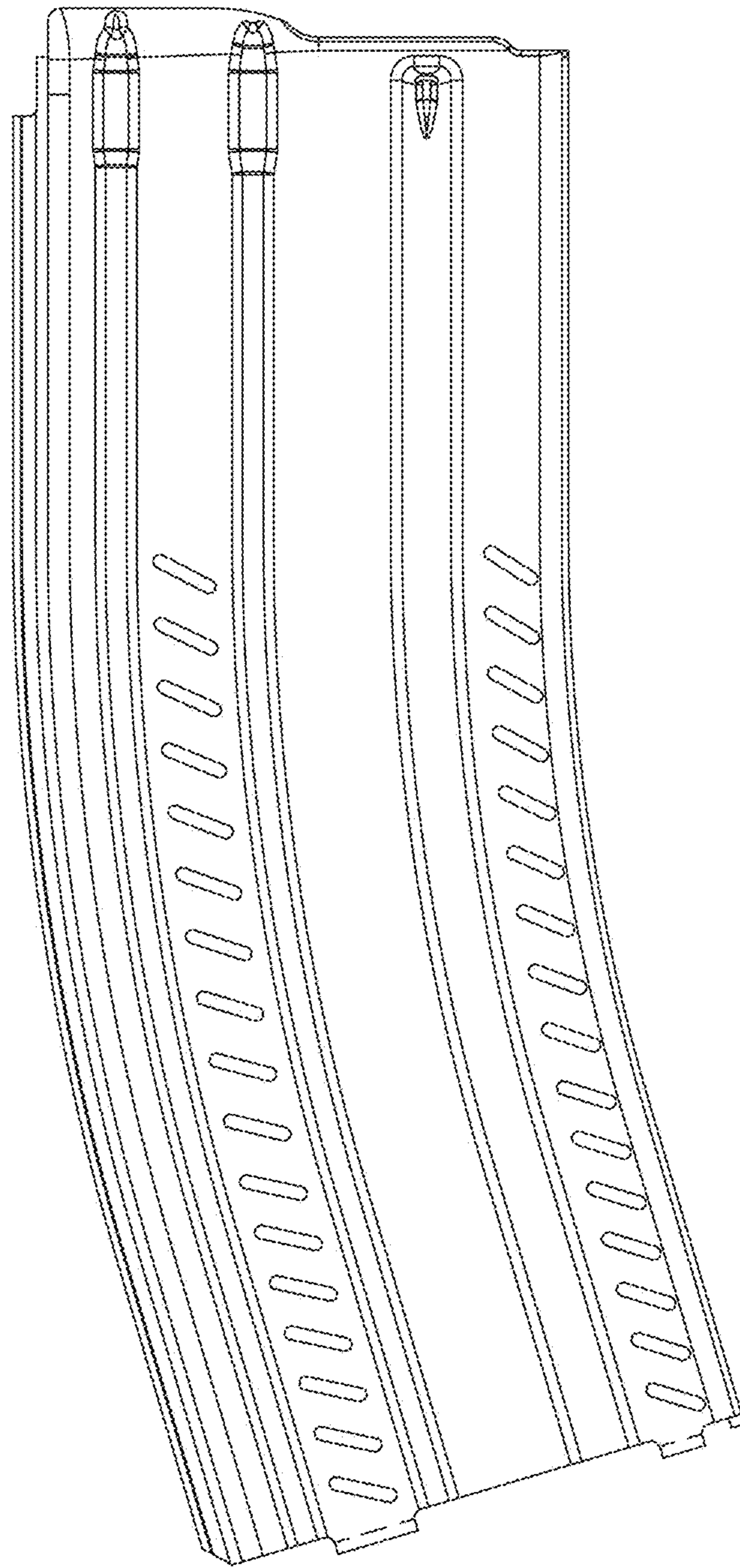


Fig. 16

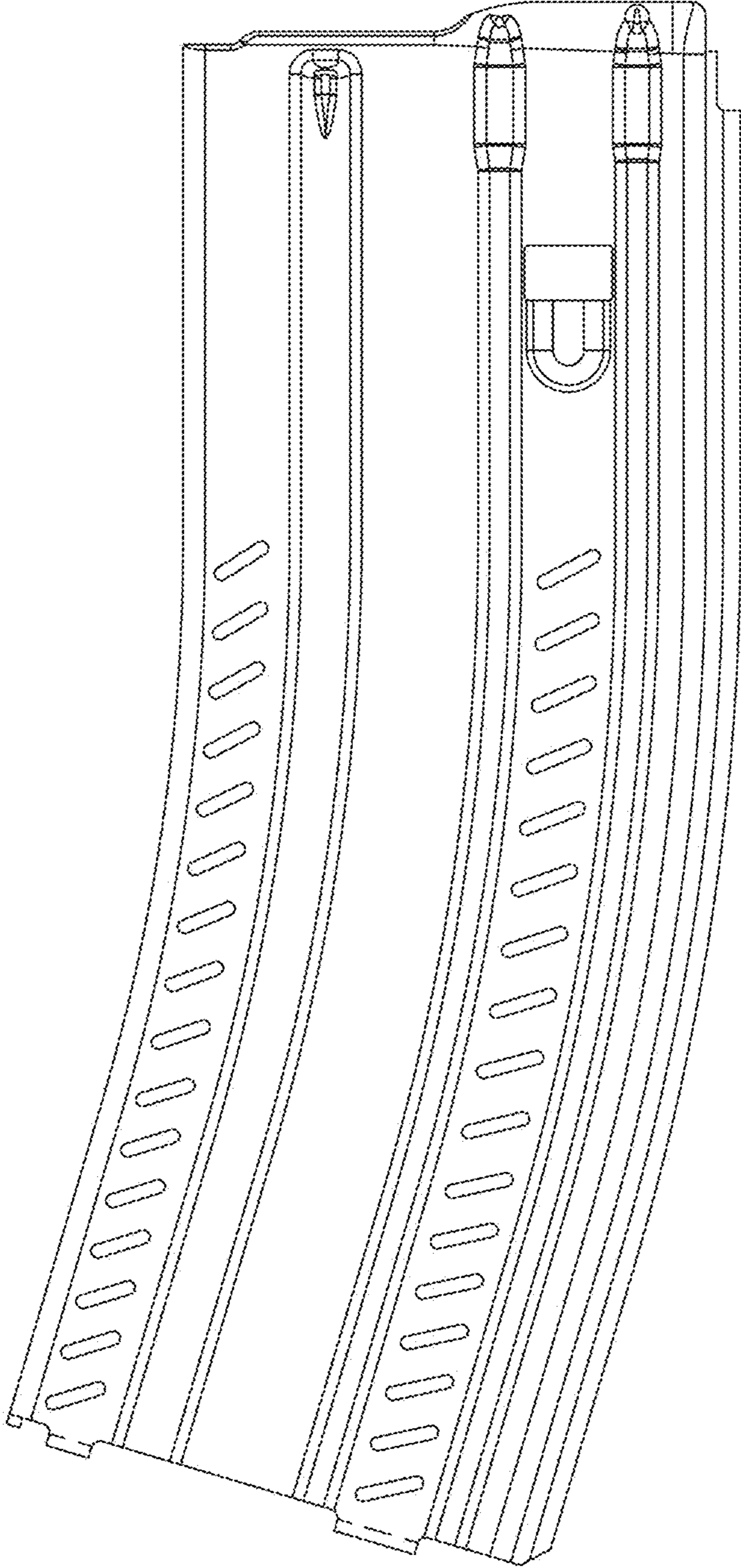


Fig. 17

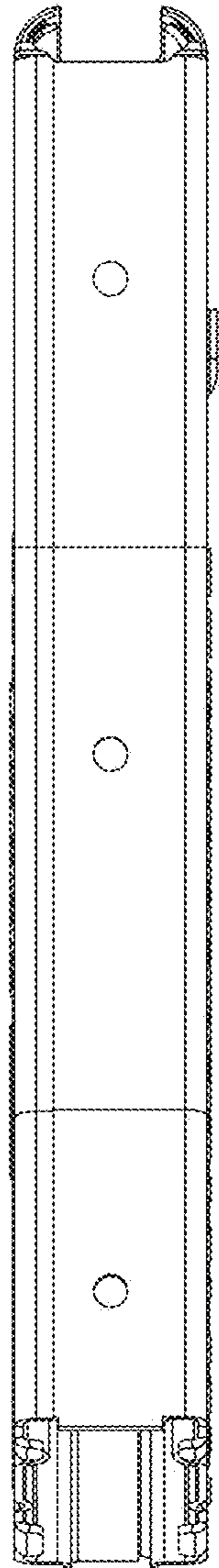


Fig. 18

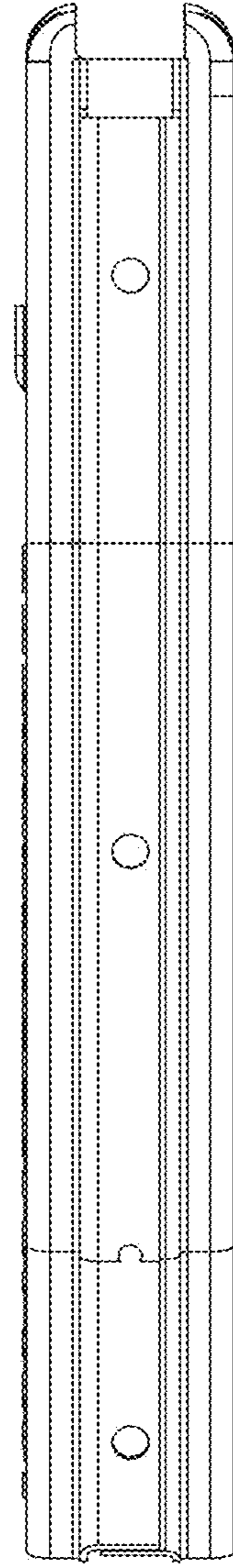


Fig. 19

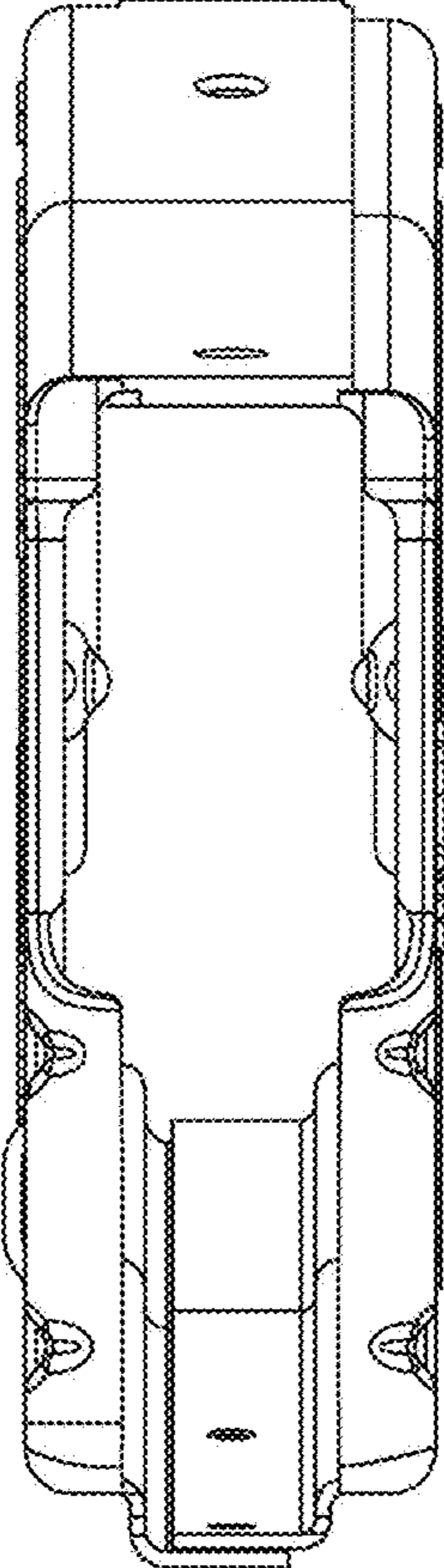


Fig. 20

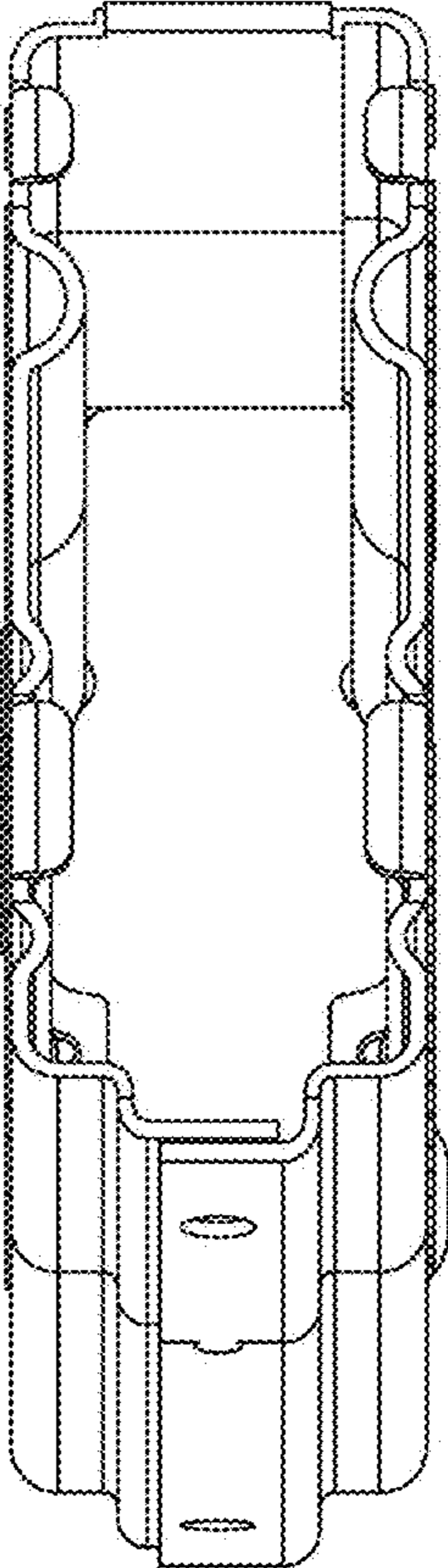


Fig. 21

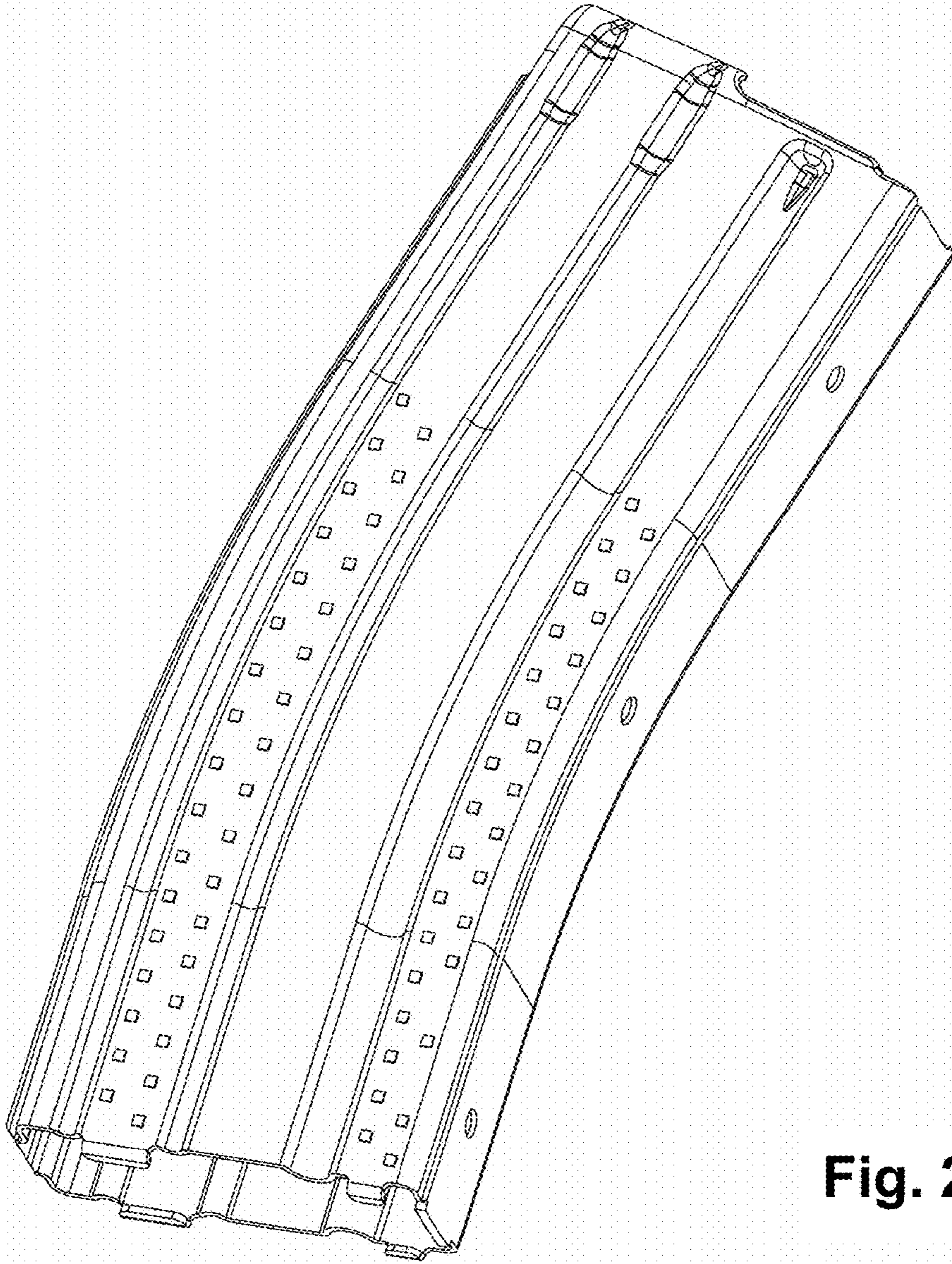


Fig. 22

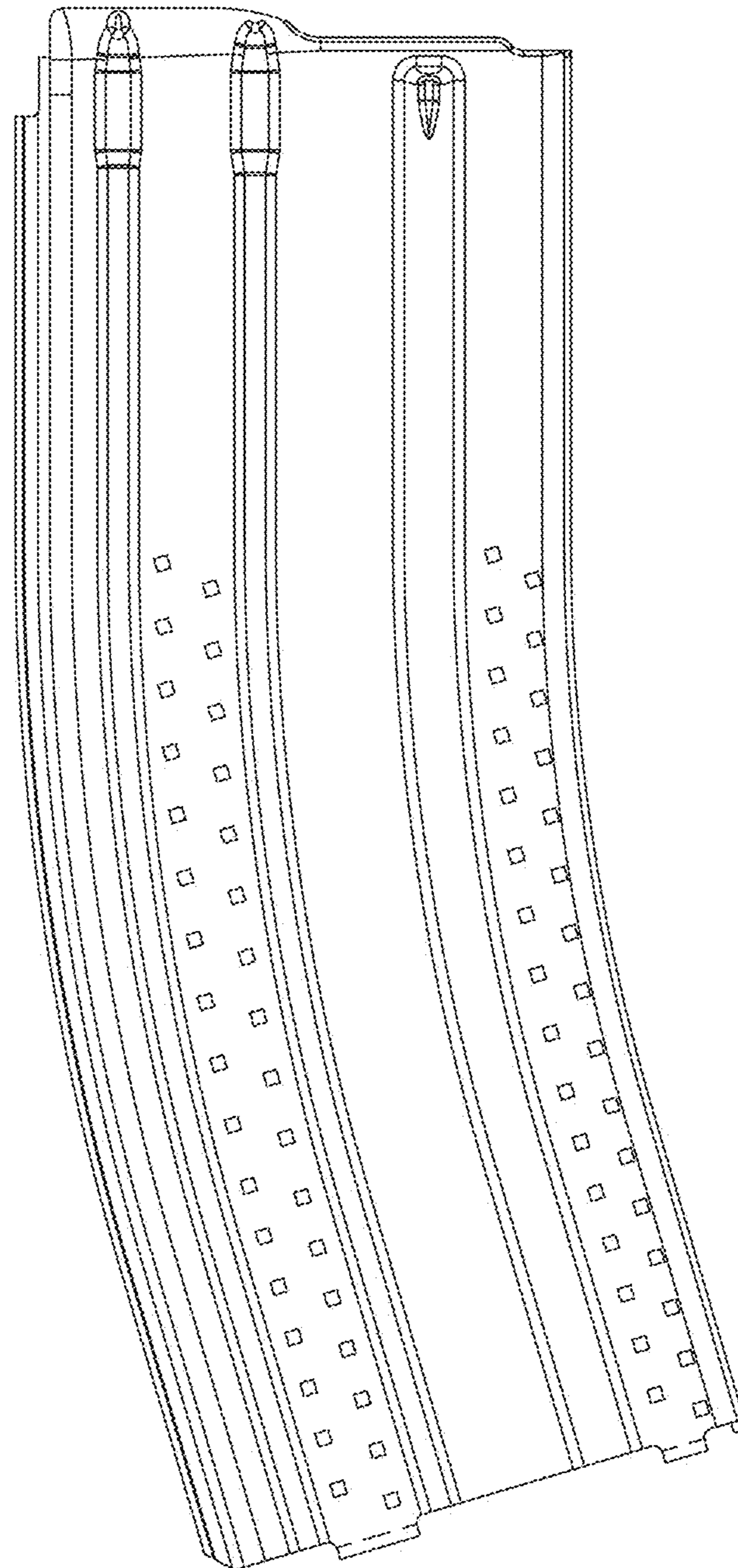


Fig. 23

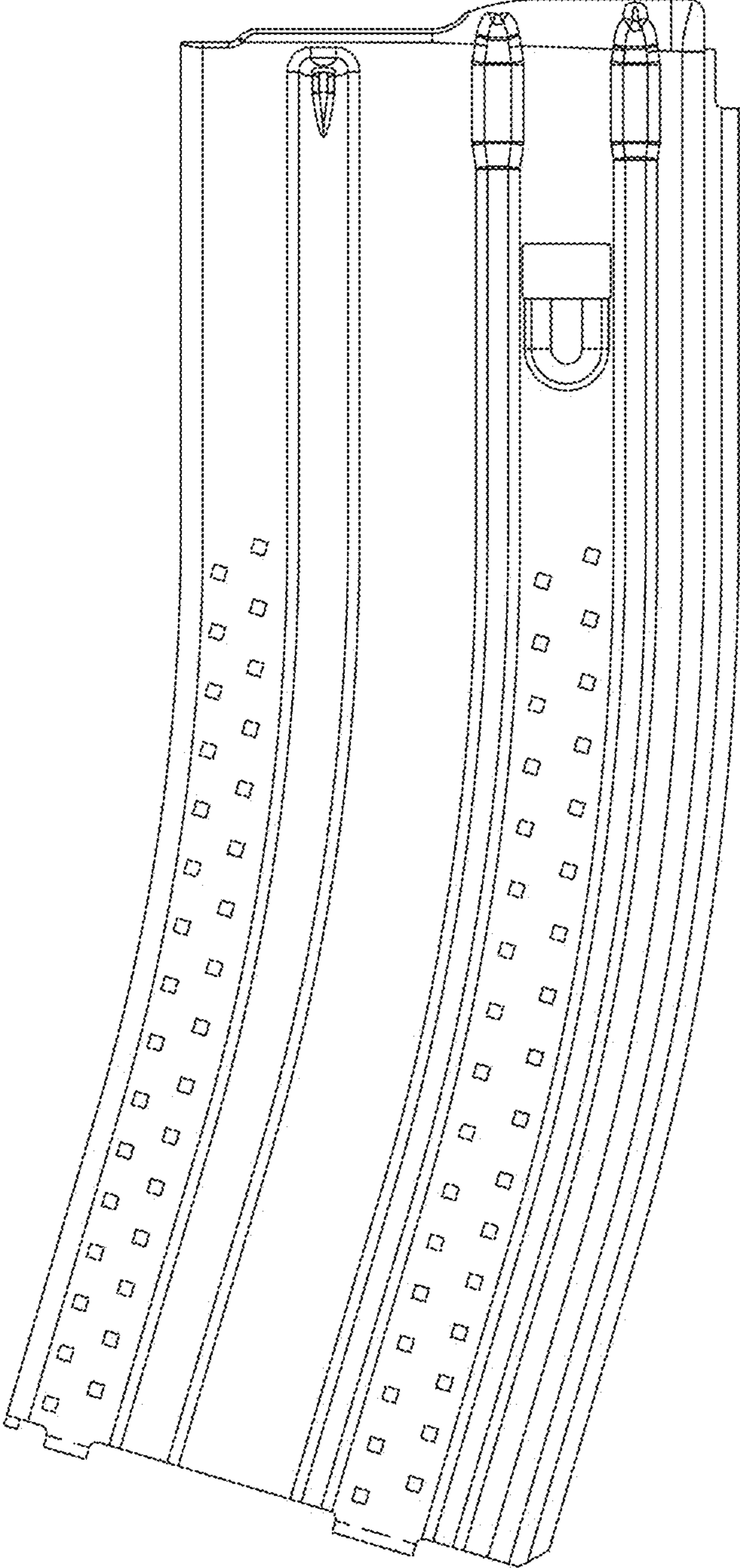


Fig. 24

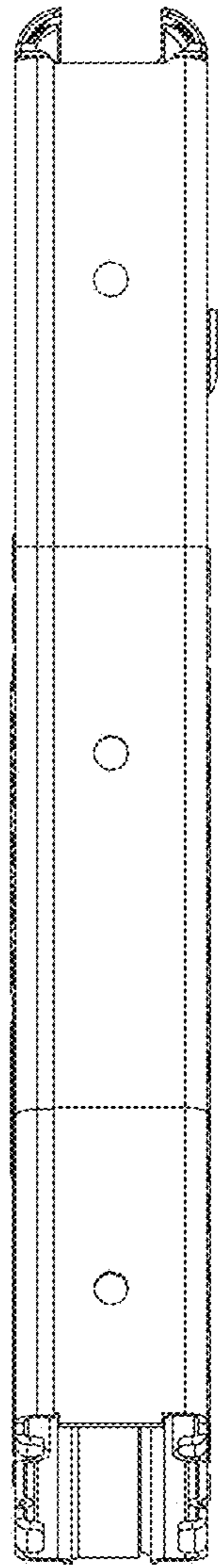


Fig. 25

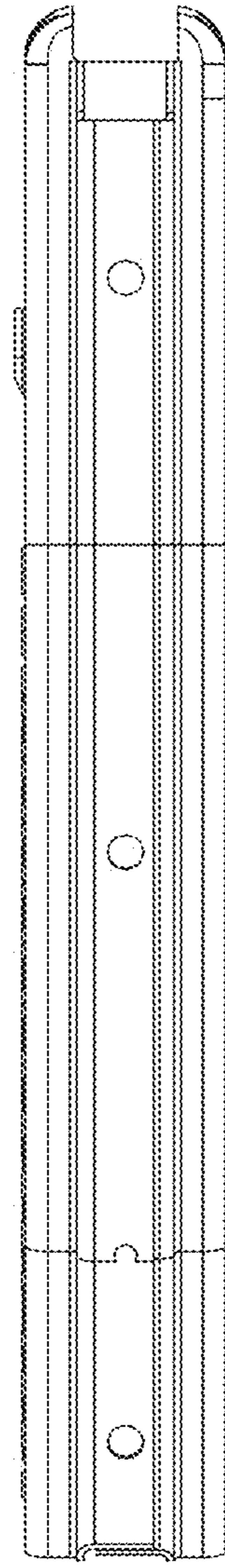


Fig. 26

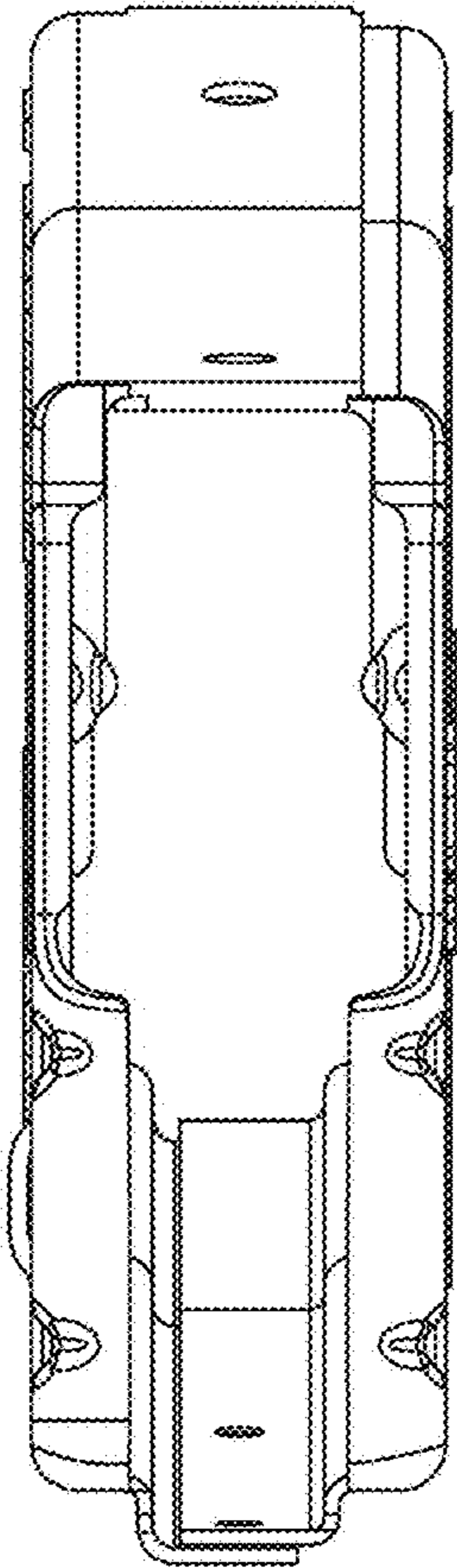


Fig. 27

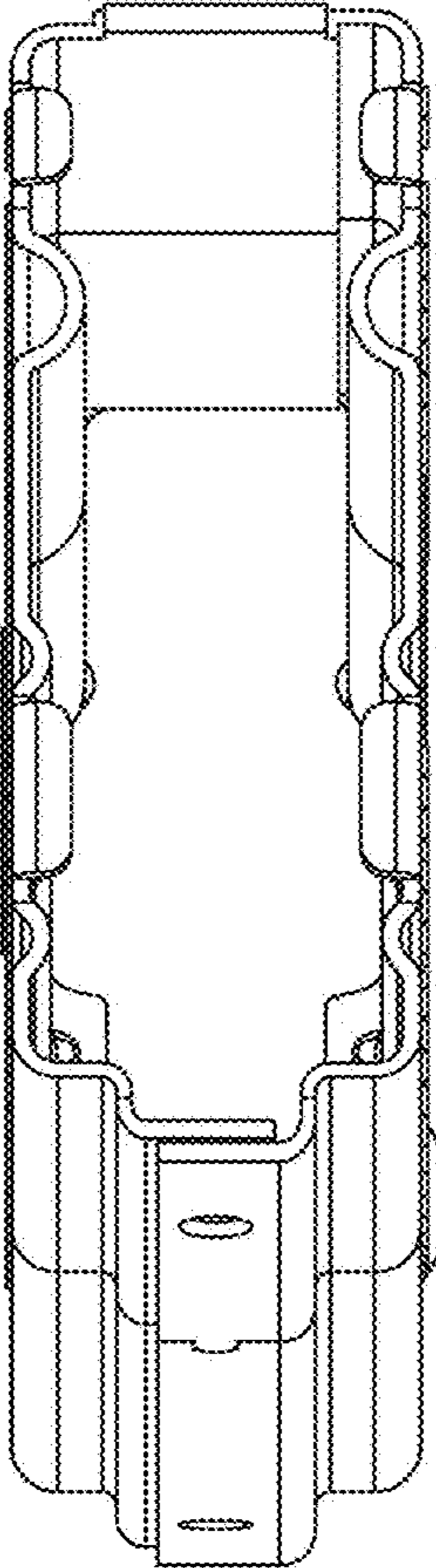


Fig. 28