



US00D841755S

(12) **United States Design Patent** (10) **Patent No.:** **US D841,755 S**
Pavlick (45) **Date of Patent:** **** Feb. 26, 2019**

- (54) **AMBIDEXTROUS FIREARM SELECTOR SWITCH**
- (71) Applicant: **Nous Defions, LLC**, Freeport, FL (US)
- (72) Inventor: **David Pavlick**, Freeport, FL (US)
- (73) Assignee: **Nous Defions, LLC**, Freeport, FL (US)
- (**) Term: **15 Years**
- (21) Appl. No.: **29/601,045**
- (22) Filed: **Apr. 18, 2017**
- (51) **LOC (11) Cl.** **22-01**
- (52) **U.S. Cl.**
USPC **D22/108**
- (58) **Field of Classification Search**
USPC D22/101, 104, 107-111, 117; D8/68;
D21/572-575
CPC F41A 19/46
See application file for complete search history.

(56) **References Cited**

U.S. PATENT DOCUMENTS

5,736,667	A *	4/1998	Munostes	F41A 11/00
					42/16
7,654,187	B2 *	2/2010	Hochstrate	F41A 19/46
					89/142
D639,378	S *	6/2011	Burt	D22/108
8,276,502	B1 *	10/2012	Wright	F41A 17/46
					42/70.01
D741,440	S *	10/2015	Hormann	D22/108
9,587,897	B1 *	3/2017	Huang	F41A 17/00
2010/0236394	A1 *	9/2010	Gomez	F41A 17/42
					89/138
2013/0111796	A1 *	5/2013	Dionne	F41A 17/00
					42/70.11
2016/0091268	A1 *	3/2016	Miller, III	F41A 17/46
					42/70.06

2016/0187092	A1 *	6/2016	Mather	F41A 19/10
					42/69.02
2017/0176122	A1 *	6/2017	Underwood	F41A 19/46
2017/0299304	A1 *	10/2017	Otte, Jr.	F41A 17/46

OTHER PUBLICATIONS

F-117 Ambidextrous Selector Switch, posted at Arsenal Democracy, review posted Sep. 12, 2016. [Site visited Sep. 28, 2018] URL: <<https://www.arsenaldemocracy.us/product/f-117-ambidextrous-selector-switch/>> (Year: 2016).*

Strike Industries Switch Modular Ambidextrous AR-15 Safety Selector, posted at Wing Tactical, review posted Aug. 12, 2016. URL: <<https://www.wingtactical.com/firearm-parts/ar-15/lower-receiver-parts/lower-receiver-parts/strike-industries-switch-modular-ambidextrous-ar-15-safety-selector/>> (Year: 2016).*

Battle Arms Development Ambidextrous Safety Selector, posted at Optics Planet, review posted Mar. 21, 2017. URL: <<https://www.opticsplanet.com/battle-arms-development-ambidextrous-firearm-safety-selector.html>> (Year: 2017).*

(Continued)

Primary Examiner — Kevin K Rudzinski
Assistant Examiner — Kathleen L Jones
 (74) *Attorney, Agent, or Firm* — Snell & Wilmer L.L.P.

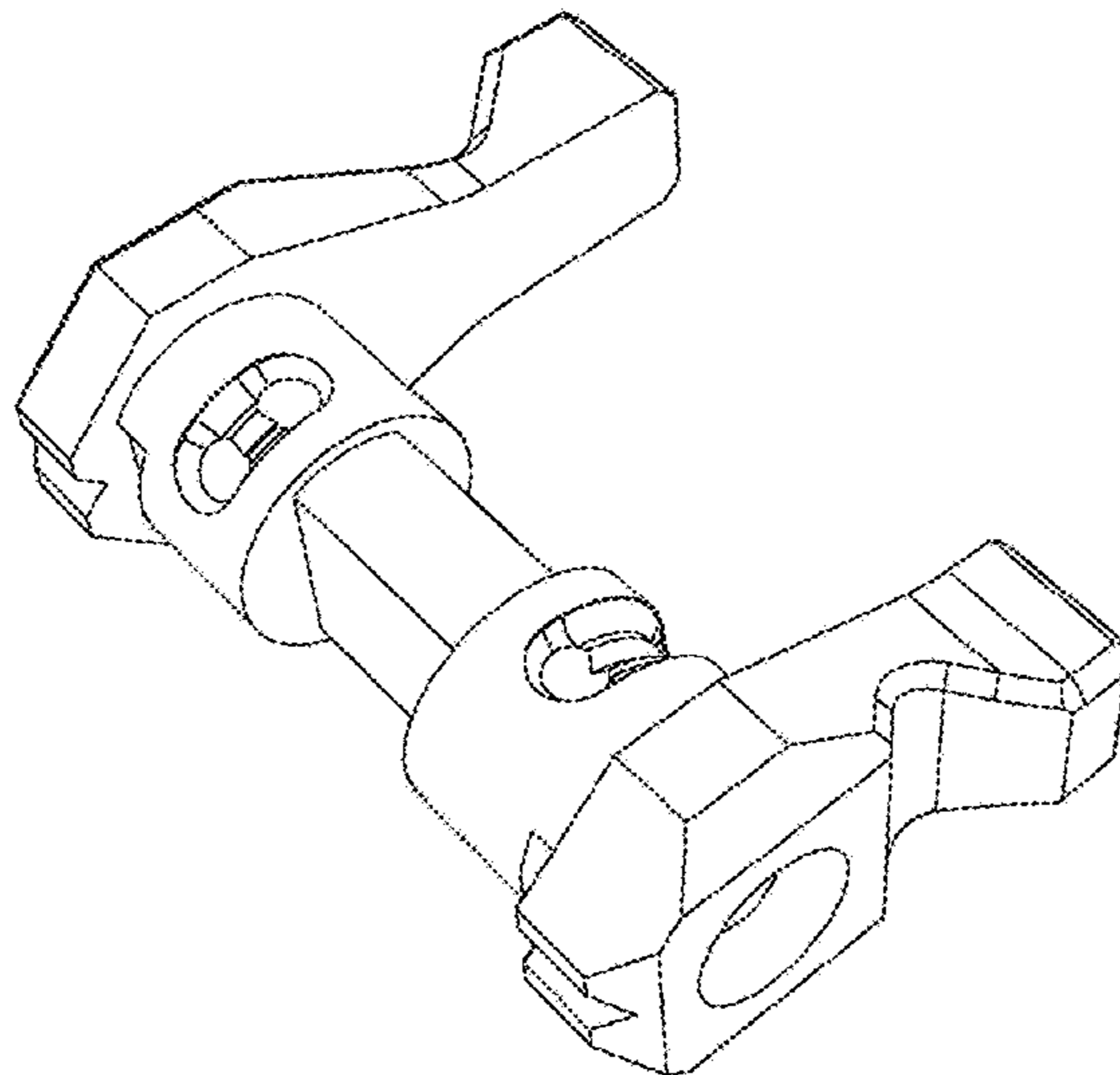
(57) **CLAIM**

The ornamental design for an ambidextrous firearm selector switch, as shown and described.

DESCRIPTION

FIG. 1 is a bottom perspective view of an ambidextrous firearm selector switch;
 FIG. 2 is a front view thereof;
 FIG. 3 is a rear view thereof;
 FIG. 4 is a left view thereof;
 FIG. 5 is a right view thereof;
 FIG. 6 is a top view thereof; and,
 FIG. 7 is a bottom view thereof.

1 Claim, 7 Drawing Sheets



(56)

References Cited

OTHER PUBLICATIONS

Patriot Ordnance Factory USA AR-15 Ambidextrous Safety Selector, posted at Cheaper than Dirt, posting date May 8, 2015. URL: <<https://www.cheaperthandirt.com/product/patriot-ordnance-factory-ambidextrous-safety-selector-switch-black-00666-847313006660.do>> (Year: 2015).*

* cited by examiner

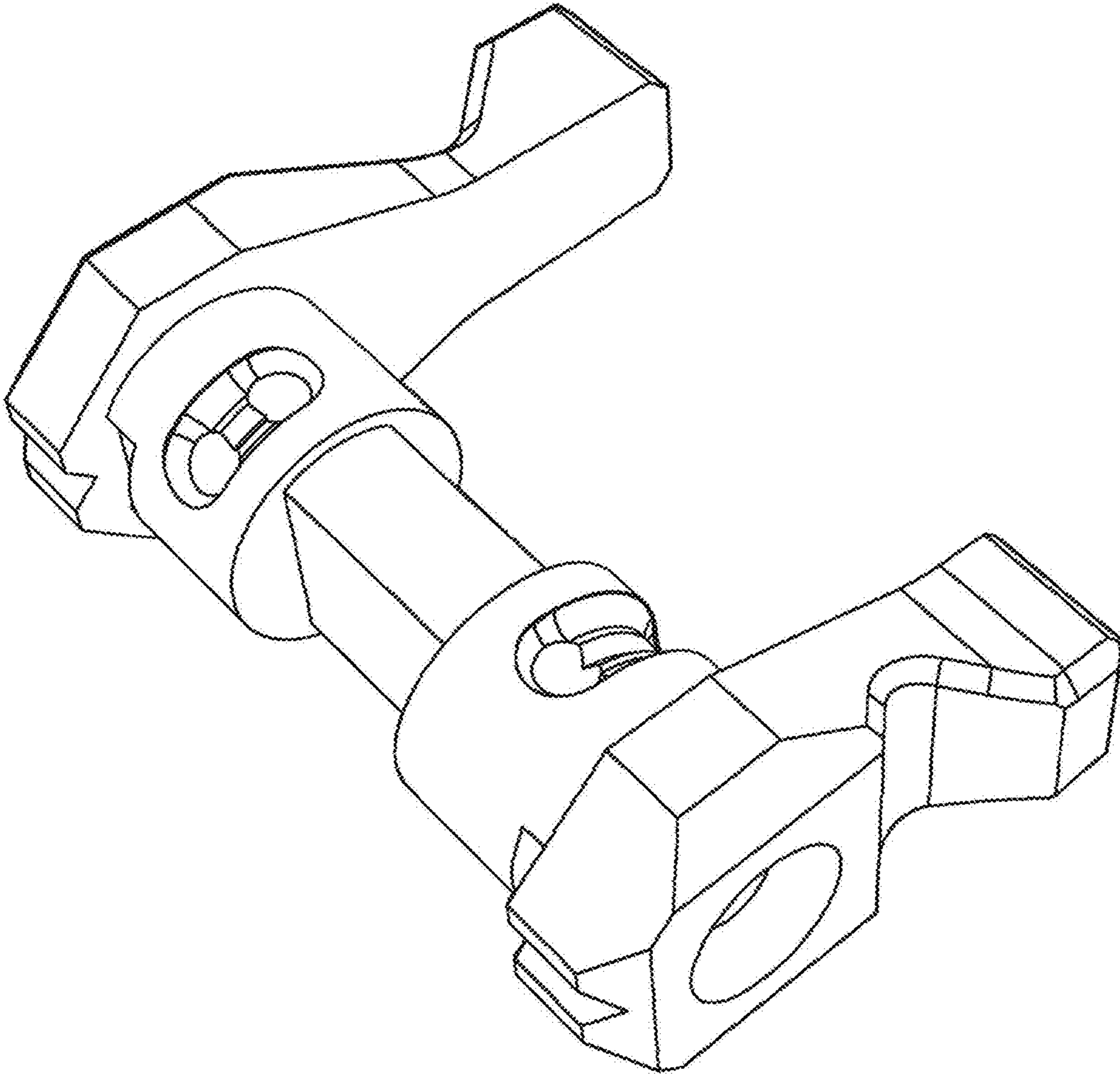


FIG. 1

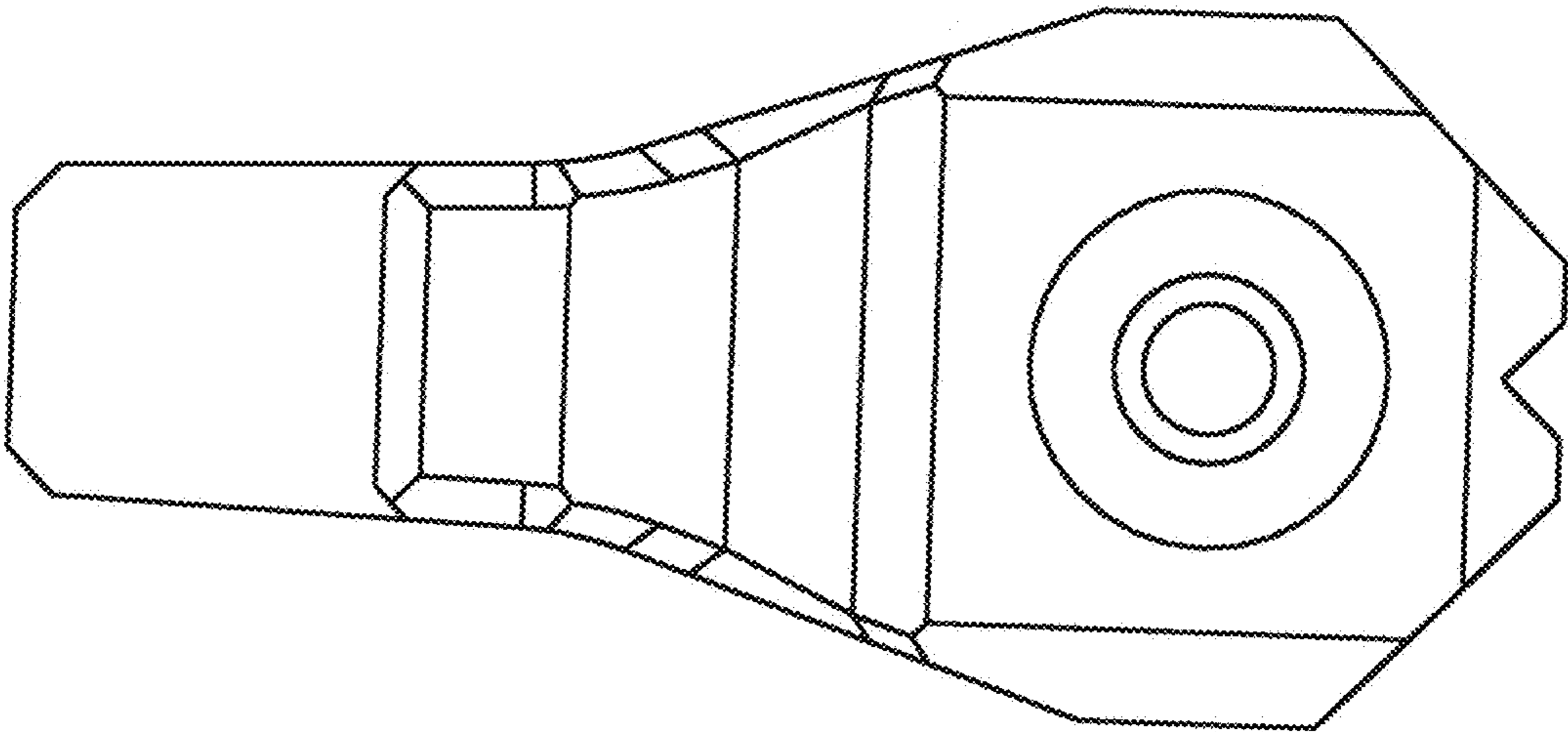


FIG. 2

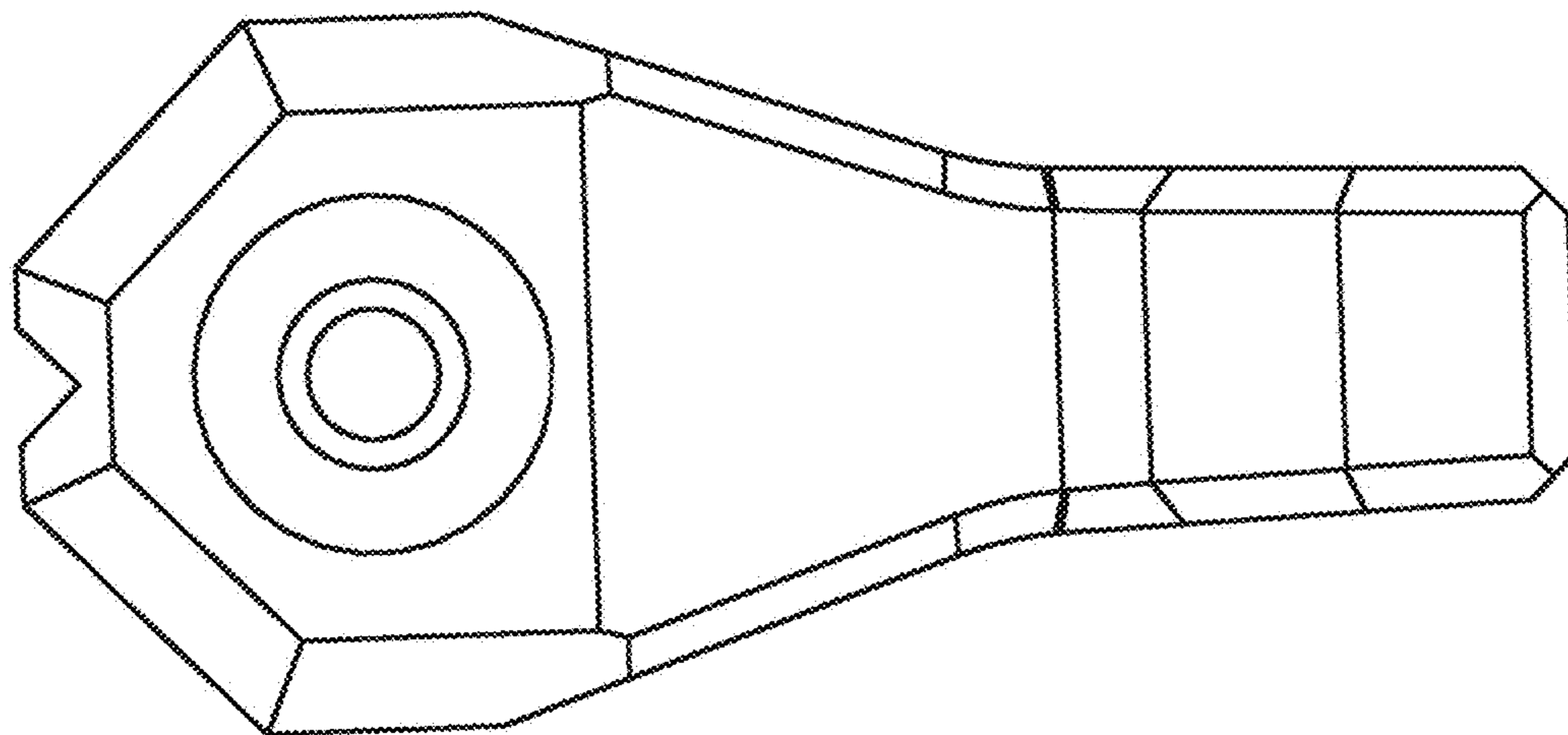


FIG. 3

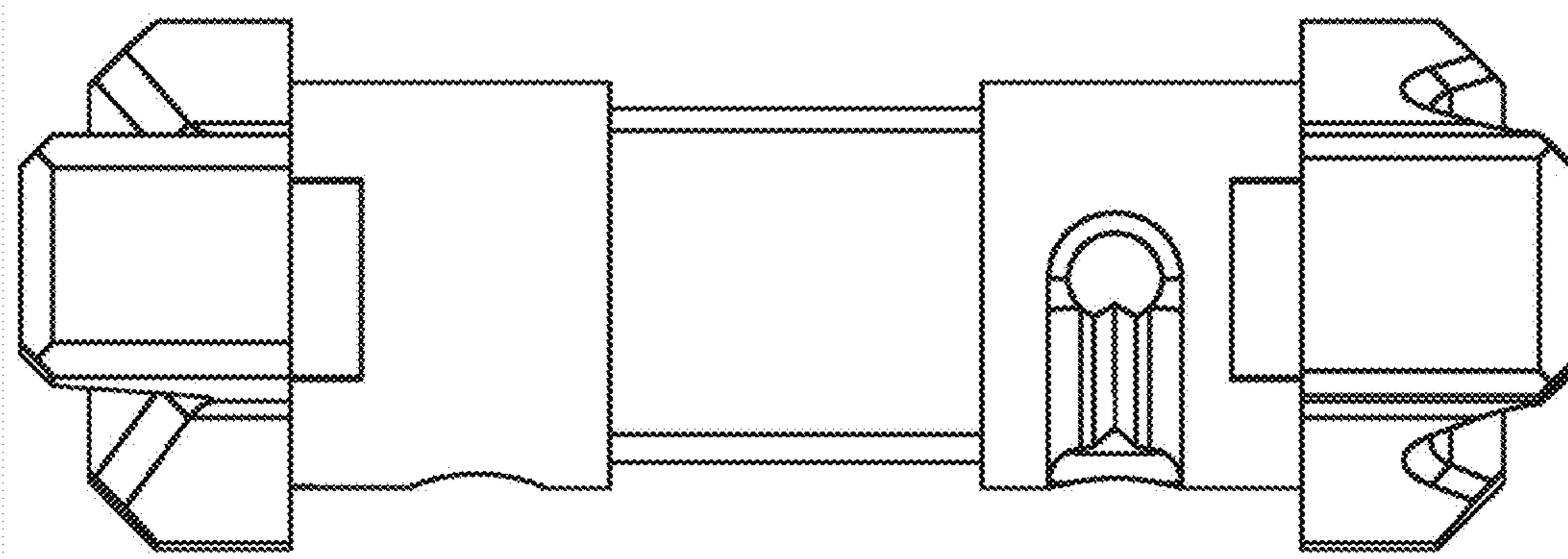


FIG. 4

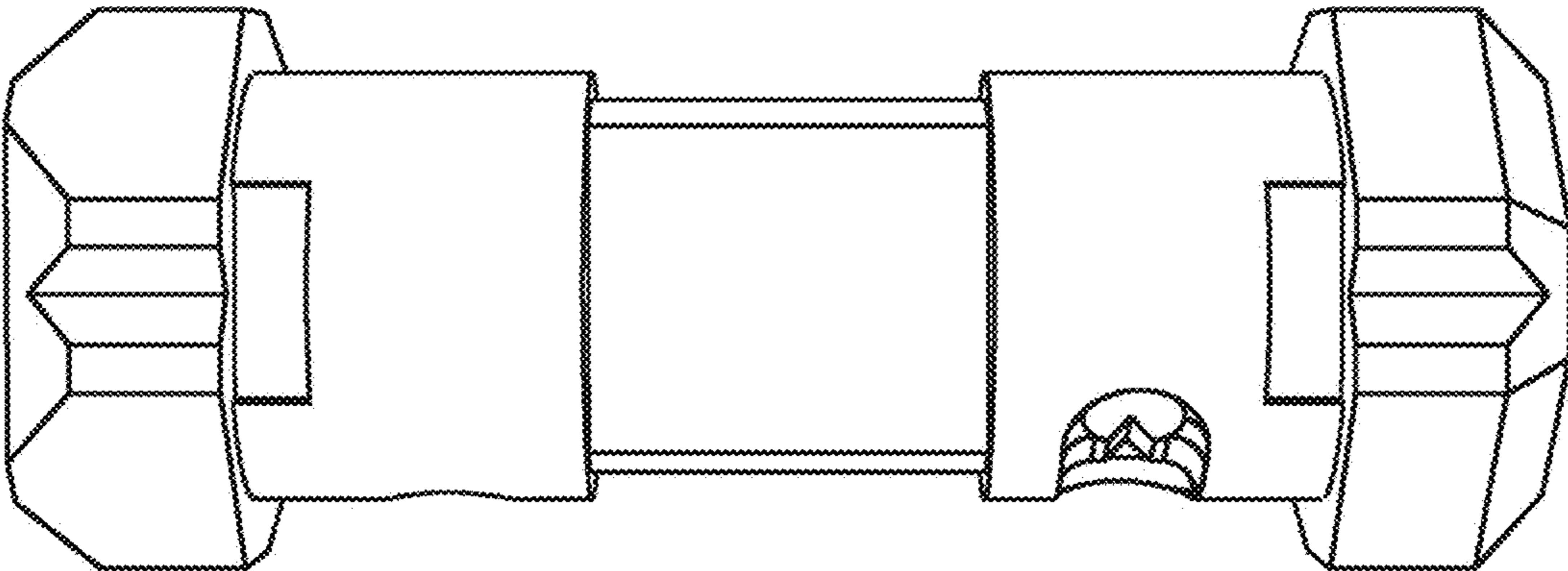


FIG. 5

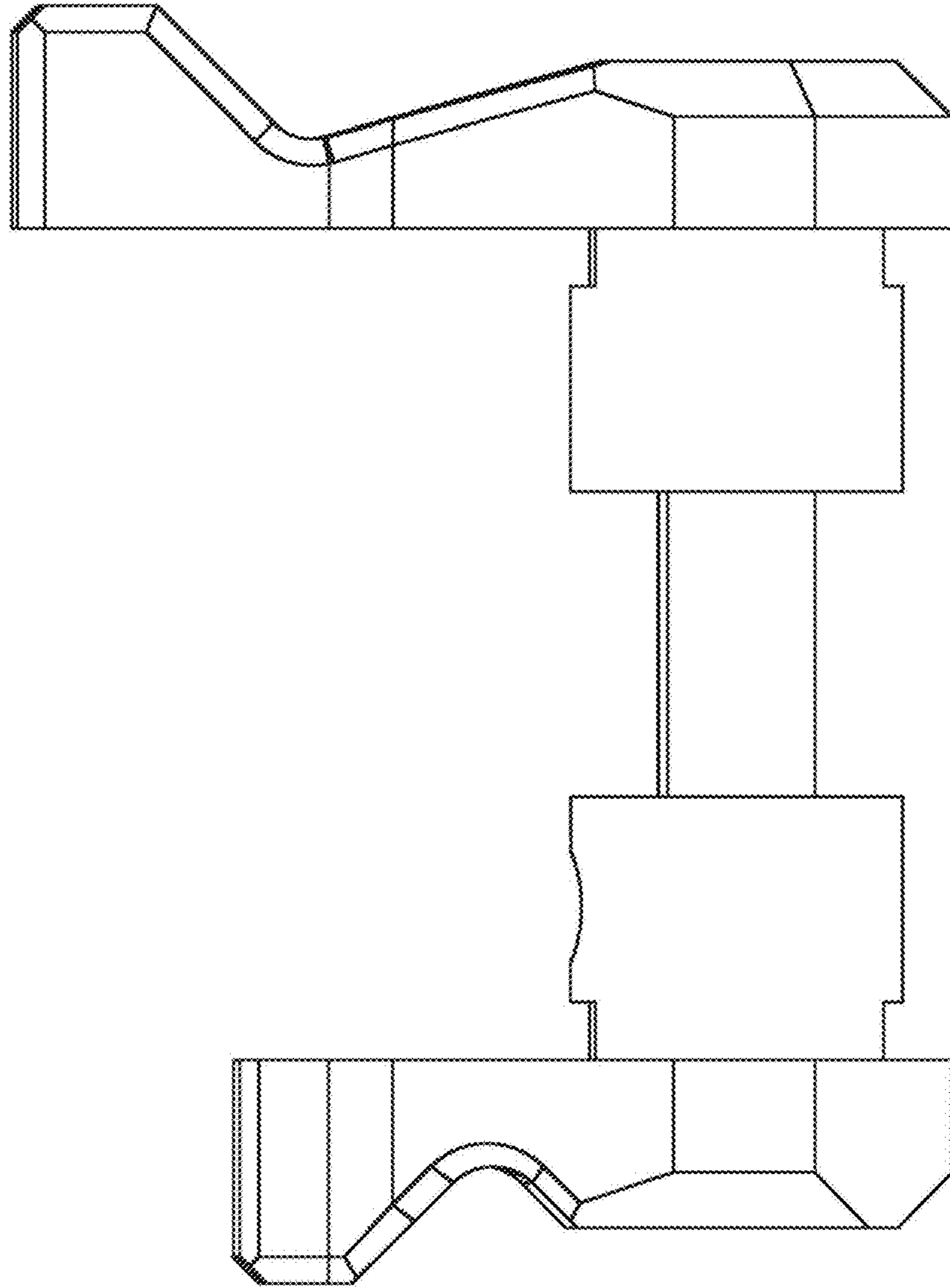


FIG. 6

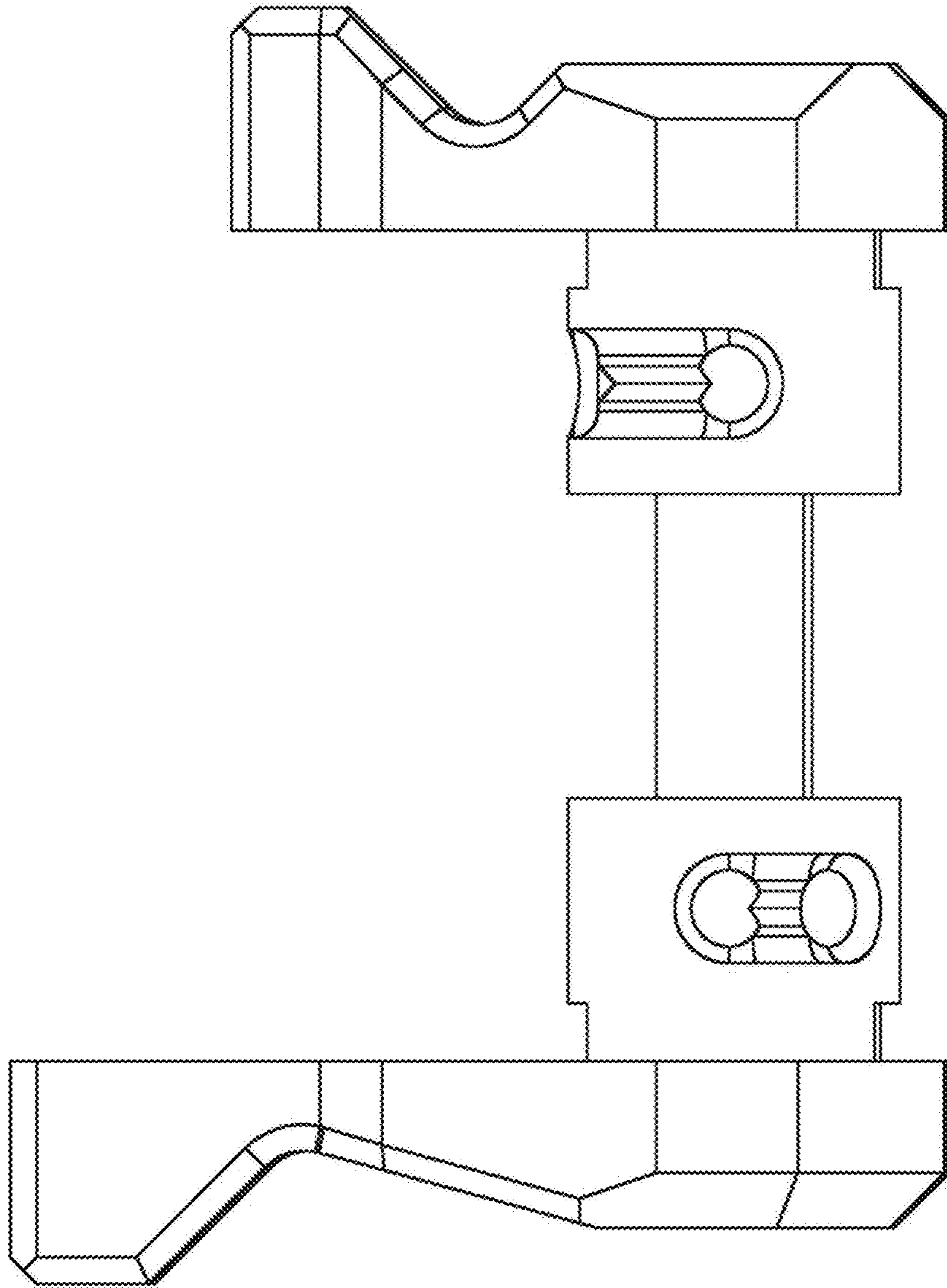


FIG. 7