



US00D841752S

(12) **United States Design Patent** (10) **Patent No.:** **US D841,752 S**
Hsu et al. (45) **Date of Patent:** **** Feb. 26, 2019**

(54) CONNECTOR FOR A FLOTATION DEVICE	613,663 A * 11/1898 Case	E04B 1/2604 403/340
(71) Applicant: INTEX MARKETING LTD. , Tortola (VG)	730,186 A * 6/1903 Case	E21B 17/046 16/218
(72) Inventors: Yaw Yuan Hsu , Fujian (CN); Kun Chao Hsu , Fujian (CN); Jinqie You , Fujian (CN)	2,446,018 A * 7/1948 Miskimen	A41F 11/16 2/321
(73) Assignee: Intex Marketing Ltd. , Tortola (VG)	2,522,672 A * 9/1950 Graham	H01R 13/28 403/326
(**) Term: 15 Years	3,092,403 A * 6/1963 Gerdeman	F16L 15/006 285/330
	4,202,134 A 5/1980 Morrison	
	4,894,033 A 1/1990 Chang	
		(Continued)

(21) Appl. No.: **29/590,782**

OTHER PUBLICATIONS

(22) Filed: **Jan. 13, 2017**

Tube Pro Inc., "Tube-to-Tube Connectors," available online at http://www.tubeproinc.com/m/content/article_php?content_id=7 at least as early as Oct. 25, 2013, 1 page.

Related U.S. Application Data

(63) Continuation of application No. 29/533,582, filed on Jul. 20, 2015, now Pat. No. Des. 759,180, which is a continuation of application No. 14/523,861, filed on Oct. 25, 2014, now Pat. No. 9,951,801.

Primary Examiner — Zenia I Bennett

(74) *Attorney, Agent, or Firm* — Faegre Baker Daniels LLP

(30) **Foreign Application Priority Data**

Oct. 25, 2013 (CN) 2013 2 0662215

(51) **LOC (11) Cl.** **21-03**

(52) **U.S. Cl.**
USPC **D21/801; D21/803**

(58) **Field of Classification Search**
USPC D21/769-770, 801, 803, 809; D11/87
CPC Y10T 403/32147; Y10T 403/4966; Y10T 403/655; Y10T 403/7005; Y10T 24/45545
See application file for complete search history.

(57) **CLAIM**

We claim the ornamental design for the connector for a flotation device, as shown and described.

DESCRIPTION

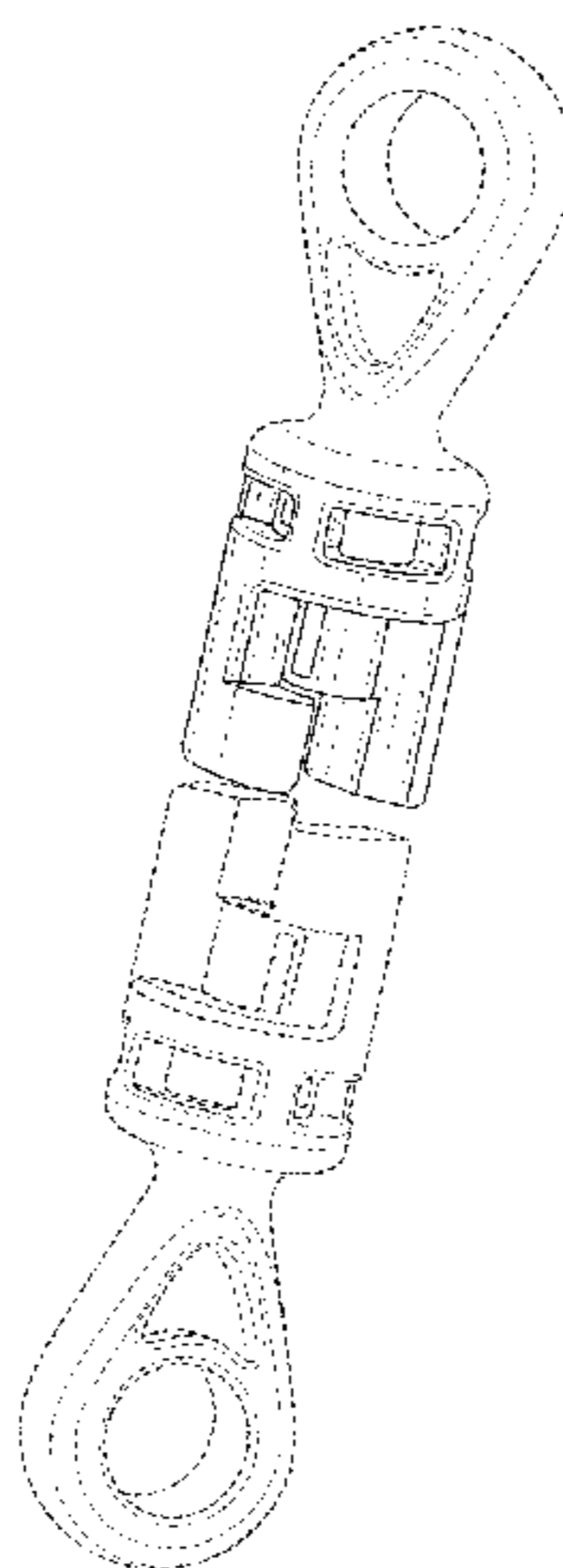
FIG. 1 is a perspective view of a connector for a flotation device of the present application configured to couple with a second connector of another flotation device; FIG. 2 is a side view of the connector of FIG. 1; FIG. 3 is another side view of the connector of FIG. 1; and FIG. 4 is a front view of the connector of FIG. 1; FIG. 5 is a rear view of the connector of FIG. 1; FIG. 6 is a top view of the connector of FIG. 1; and FIG. 7 is a bottom view of the connector of FIG. 1. The broken lines in FIGS. 1-7 show the second connector and portions of the first connector which form no part of the claimed design.

(56) **References Cited**

U.S. PATENT DOCUMENTS

67,039 A 7/1867 Golding
594,043 A * 11/1897 Thompson E04F 15/02
403/339

1 Claim, 6 Drawing Sheets



(56)

References Cited

U.S. PATENT DOCUMENTS

5,007,762	A *	4/1991	Duran	B64G 1/645 403/171
5,020,465	A	6/1991	Langford	
5,299,964	A	4/1994	Hopkins	
5,507,674	A	4/1996	Yeung	
5,536,009	A	7/1996	Edwards	
5,588,771	A *	12/1996	Scott	E21B 17/04 403/102
5,607,250	A *	3/1997	Tatterson	E21B 17/046 166/377
6,048,127	A *	4/2000	Kern	A47B 87/002 108/158
6,053,790	A	4/2000	Langford	
D492,929	S	7/2004	Fong	
6,905,279	B2	6/2005	Metzger	
D573,915	S	7/2008	Moss	
D581,827	S	12/2008	Moss	
D601,915	S	10/2009	Heroux	
D601,916	S	10/2009	Moss	
D603,926	S	11/2009	Merker et al.	
8,066,540	B2	11/2011	Le Gette et al.	
D658,257	S	4/2012	Whitehead	
D737,170	S	8/2015	Lafond	
D759,180	S	6/2016	Hsu et al.	
10,030,683	B2 *	7/2018	Brown	F16D 1/112
2004/0038603	A1	2/2004	Gaspar	
2006/0116039	A1	6/2006	Pole et al.	
2006/0280553	A1	12/2006	Anthony	
2010/0229960	A1	9/2010	Merker et al.	
2013/0225018	A1	8/2013	Peterson	
2015/0139723	A1	5/2015	Hsu et al.	

* cited by examiner

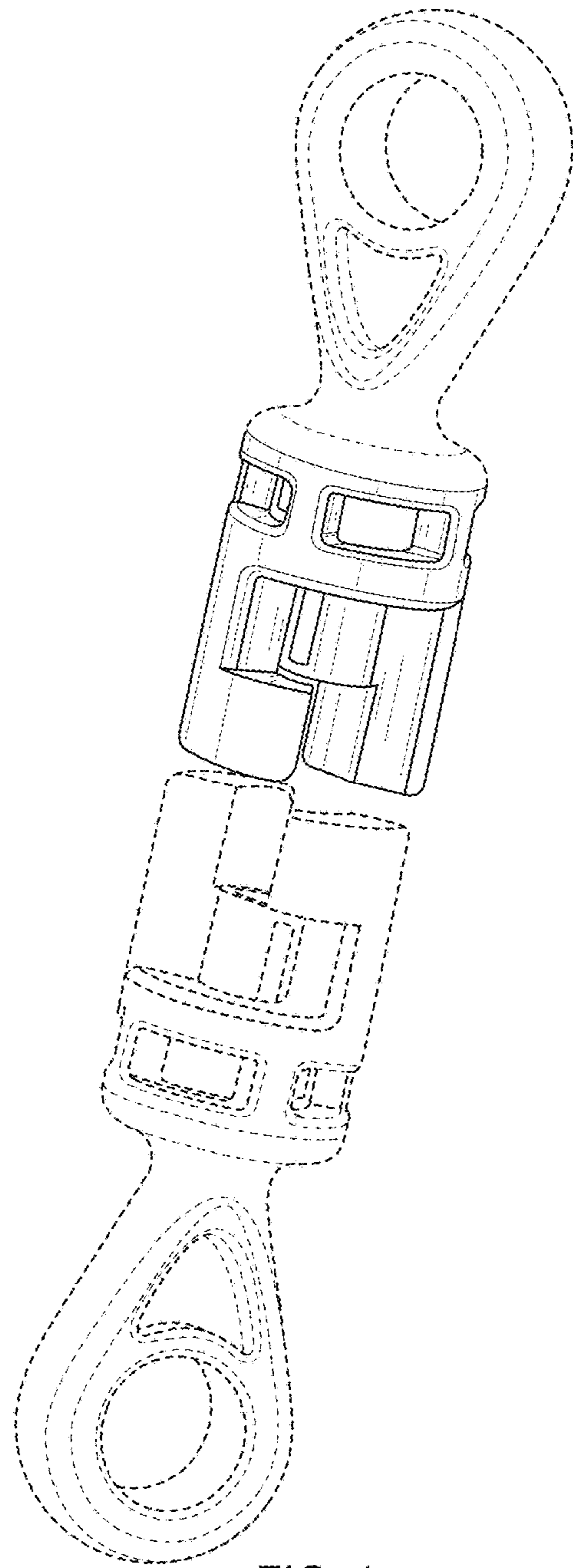


FIG. 1

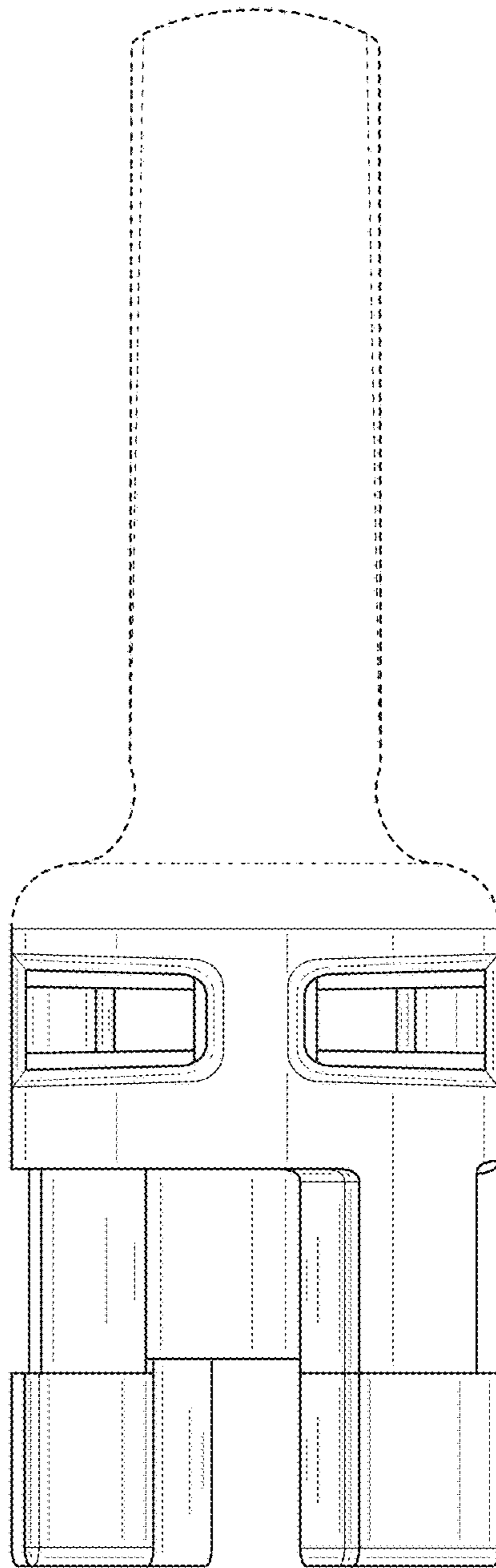


FIG. 2

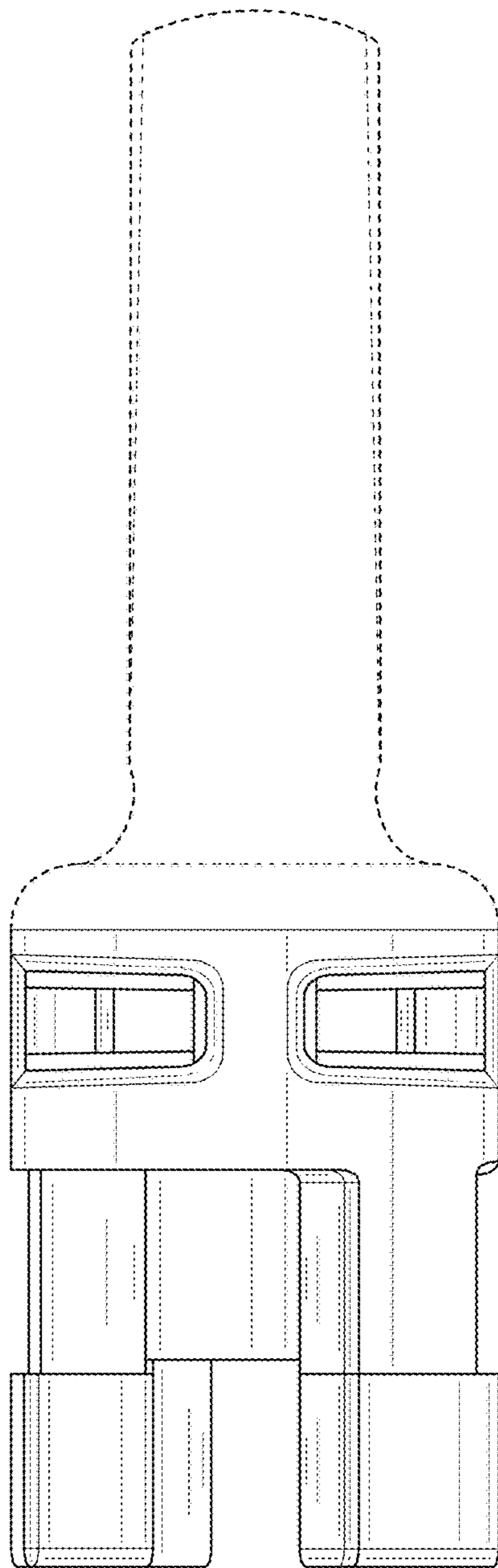


FIG. 3

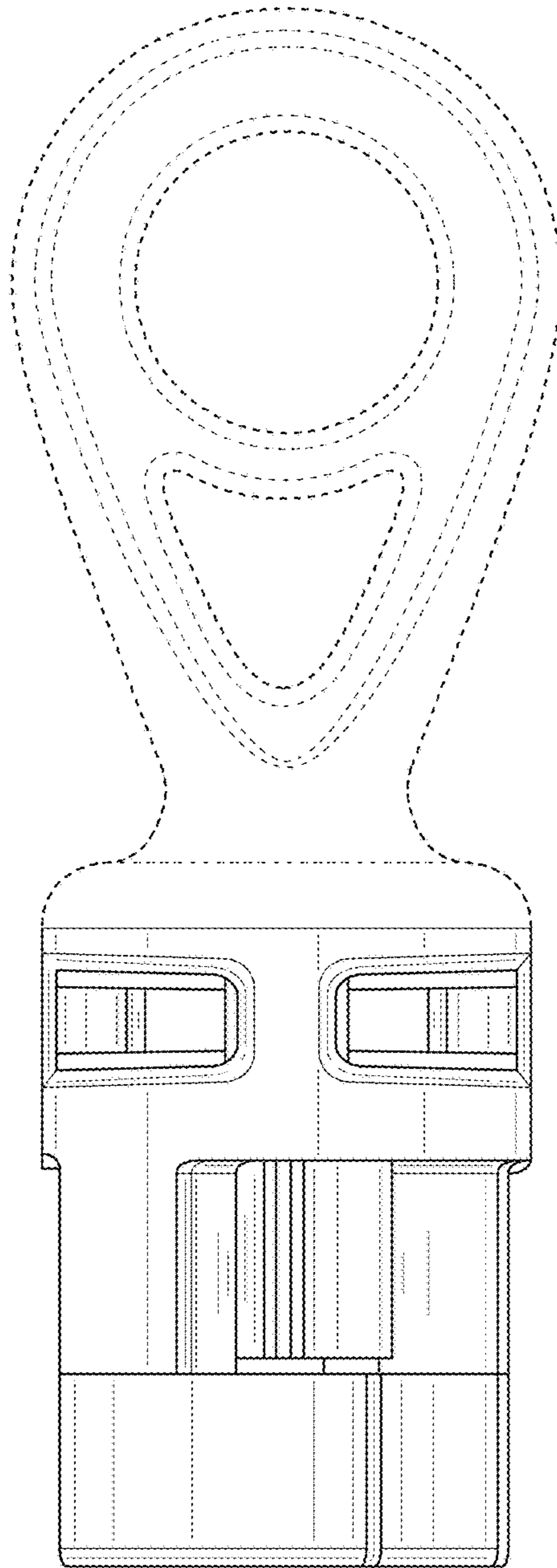


FIG. 4

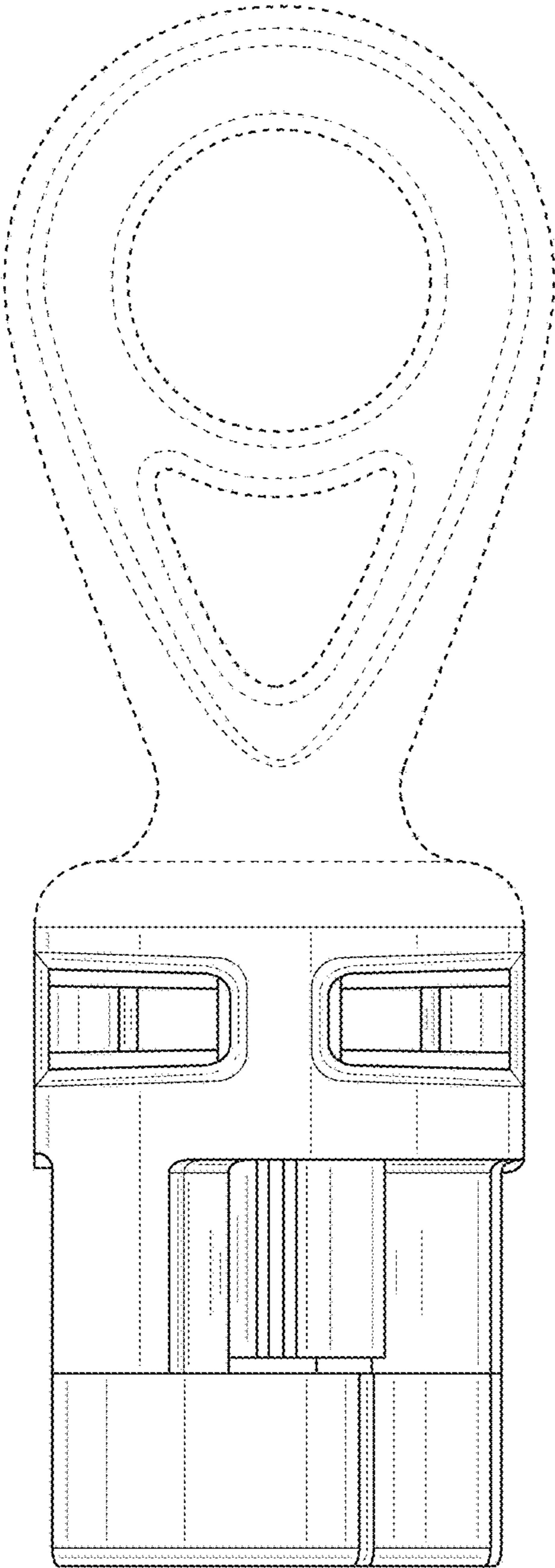


FIG. 5

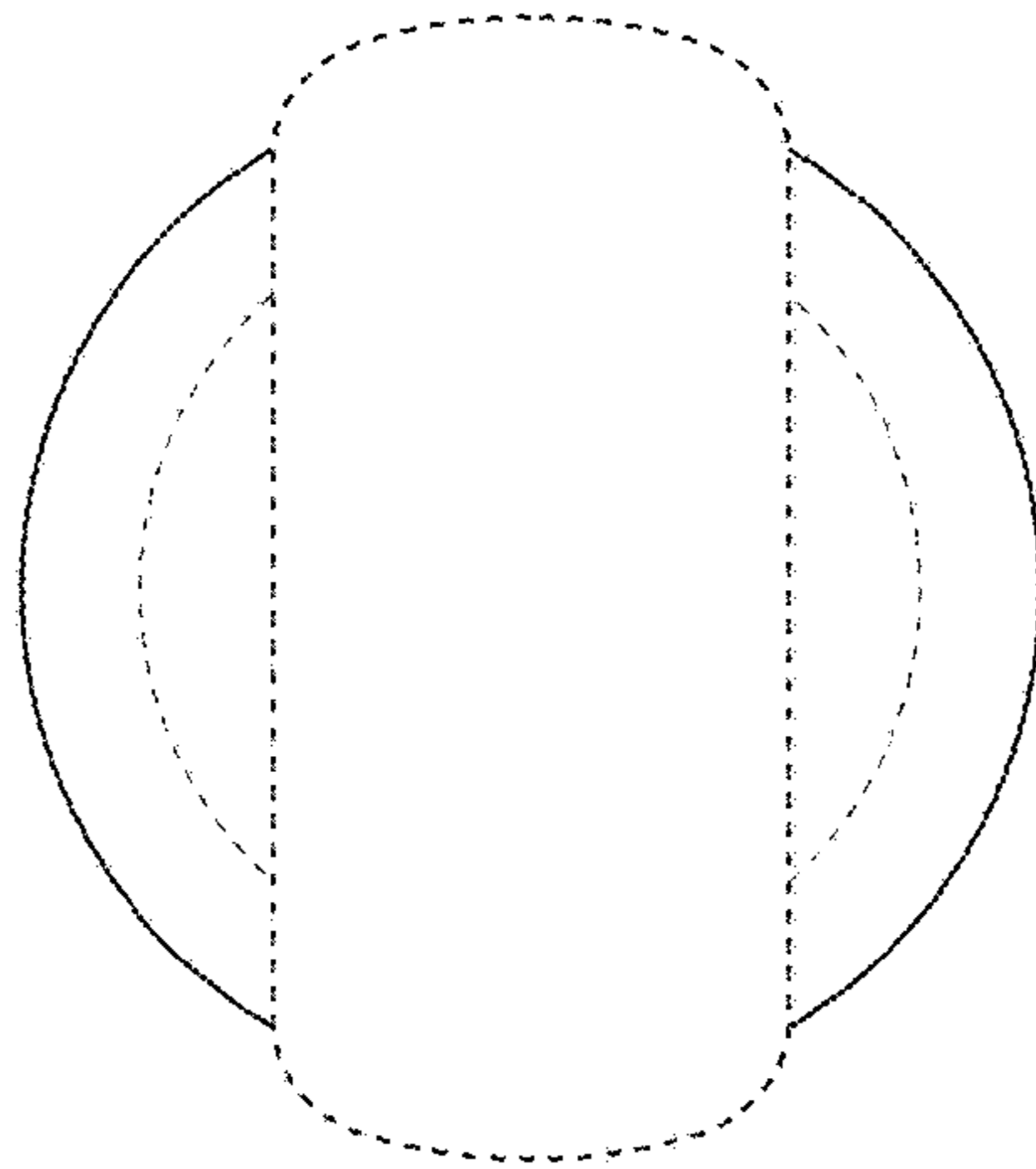


FIG. 6

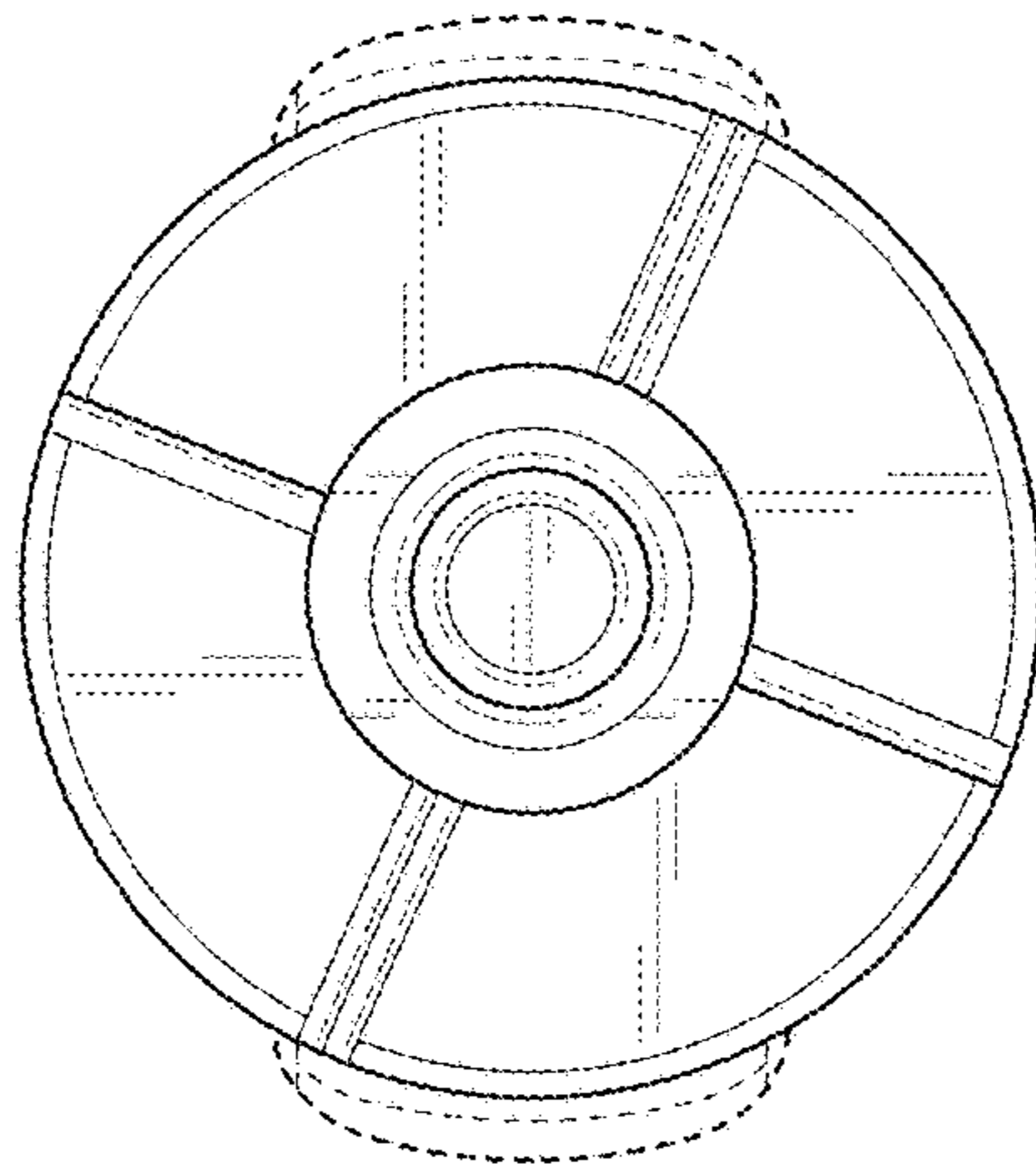


FIG. 7