



US00D841751S

(12) **United States Design Patent**  
**Tsuchihashi**

(10) **Patent No.:** **US D841,751 S**

(45) **Date of Patent:** **\*\* Feb. 26, 2019**

(54) **HEAD FOR GOLF CLUB**

(71) Applicant: **DUNLOP SPORTS CO. LTD.**,  
Kobe-shi, Hyogo (JP)

(72) Inventor: **Satoko Tsuchihashi**, Kobe (JP)

(73) Assignee: **SUMITOMO RUBBER**  
**INDUSTRIES, LTD.**, Kobe-Shi, Hyogo  
(JP)

(\*\*) Term: **15 Years**

(21) Appl. No.: **29/619,340**

(22) Filed: **Sep. 28, 2017**

(30) **Foreign Application Priority Data**

Jul. 4, 2017 (JP) ..... 2017-014381

(51) **LOC (11) Cl.** ..... **21-02**

(52) **U.S. Cl.**  
USPC ..... **D21/759**

(58) **Field of Classification Search**

USPC ..... D21/747-751, 759  
CPC ..... A63B 53/00; A63B 53/02; A63B 53/04;  
A63B 53/047; A63B 53/0475; A63B  
2053/0479; A63B 2053/0483; A63B  
2053/0445; A63B 60/00; A63B 60/46  
See application file for complete search history.

(56) **References Cited**

**U.S. PATENT DOCUMENTS**

2,087,685 A \* 7/1937 Hackney ..... A63B 53/04  
473/349  
D400,945 S \* 11/1998 Gilbert ..... D21/753

D442,246 S \* 5/2001 McCabe ..... D21/759  
D497,963 S \* 11/2004 Toulon ..... D21/747  
D512,757 S \* 12/2005 Cleveland ..... D21/747  
D533,610 S \* 12/2006 Cleveland ..... D21/747  
D556,278 S \* 11/2007 Mahaffey ..... D21/747

\* cited by examiner

*Primary Examiner* — Mitchell I. Siegel

(74) *Attorney, Agent, or Firm* — Birch, Stewart, Kolasch  
& Birch, LLP

(57) **CLAIM**

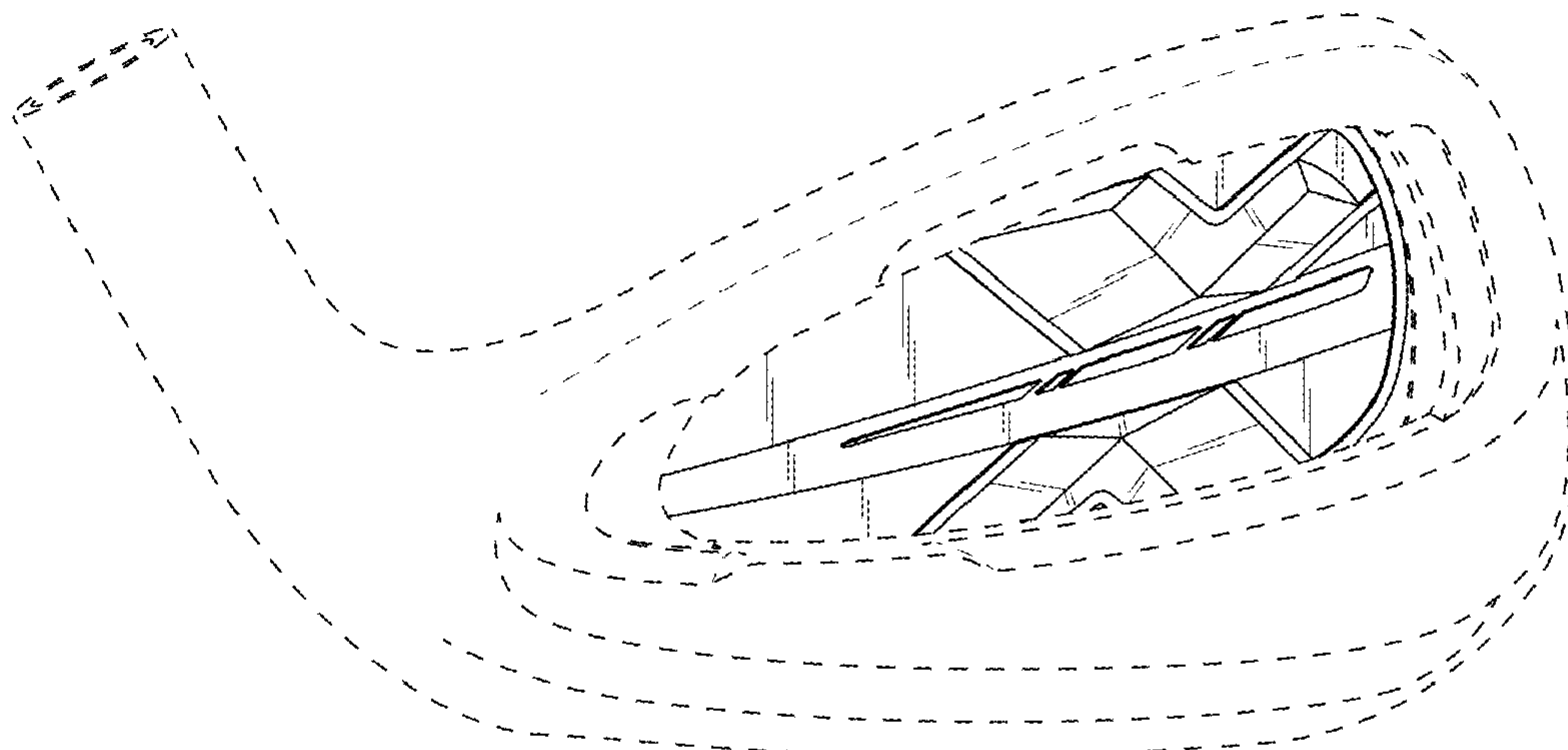
The ornamental design for a head for golf club, as shown and described.

**DESCRIPTION**

FIG. 1 is a rear perspective view of a head for golf club;  
FIG. 2 is another rear perspective view thereof;  
FIG. 3 is a rear view thereof;  
FIG. 4 is a right side view thereof;  
FIG. 5 is a cross-sectional view taken along line 5-5 in FIG. 3 thereof;  
FIG. 6 is a cross-sectional view taken along line 6-6 in FIG. 3 thereof; and,  
FIG. 7 is a cross-sectional view taken along line 7-7 in FIG. 4 thereof.

The broken line showing of unclaimed portions of the golf club head is included for the purpose of illustrating unclaimed subject matter and forms no part of the claimed design.

**1 Claim, 4 Drawing Sheets**



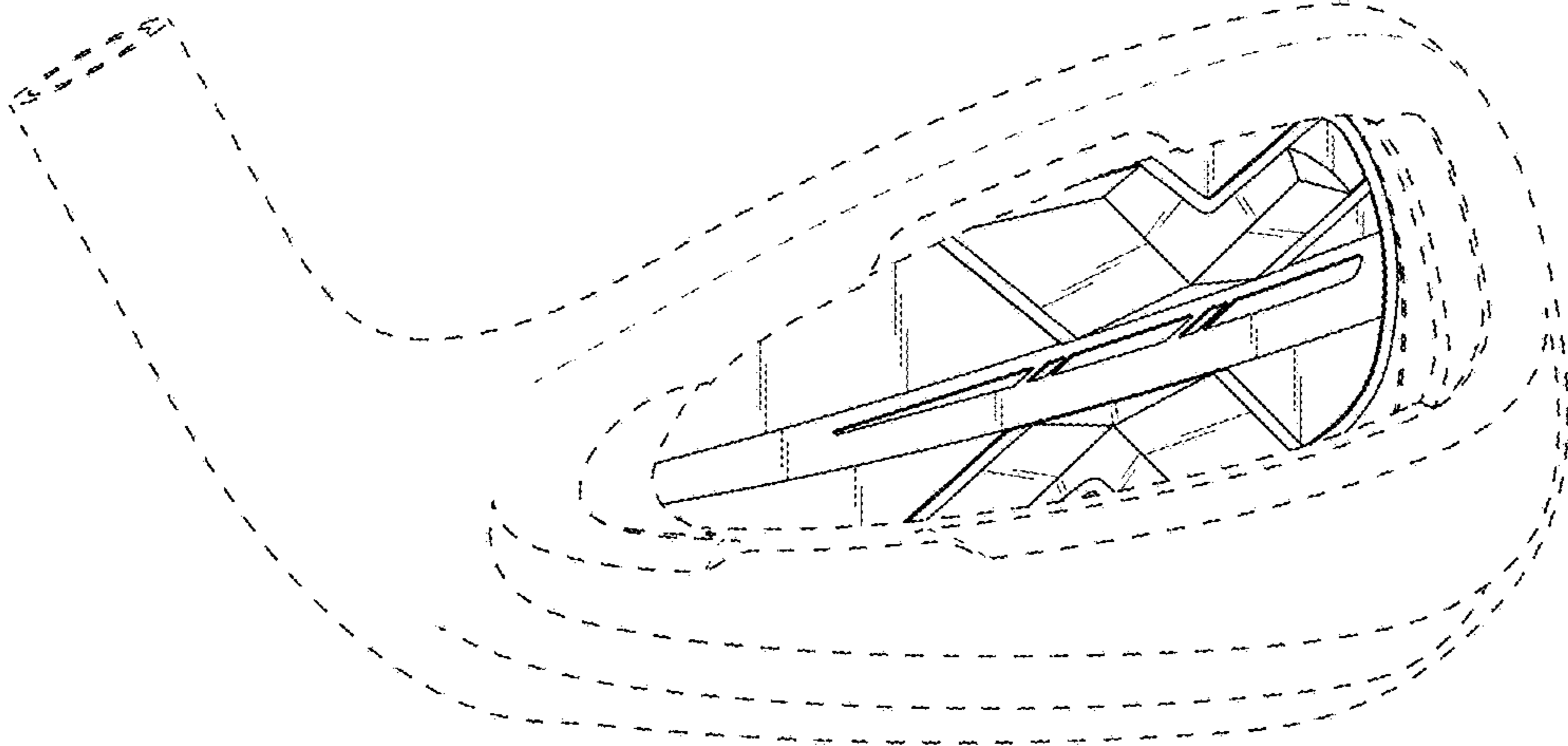


FIG. 1

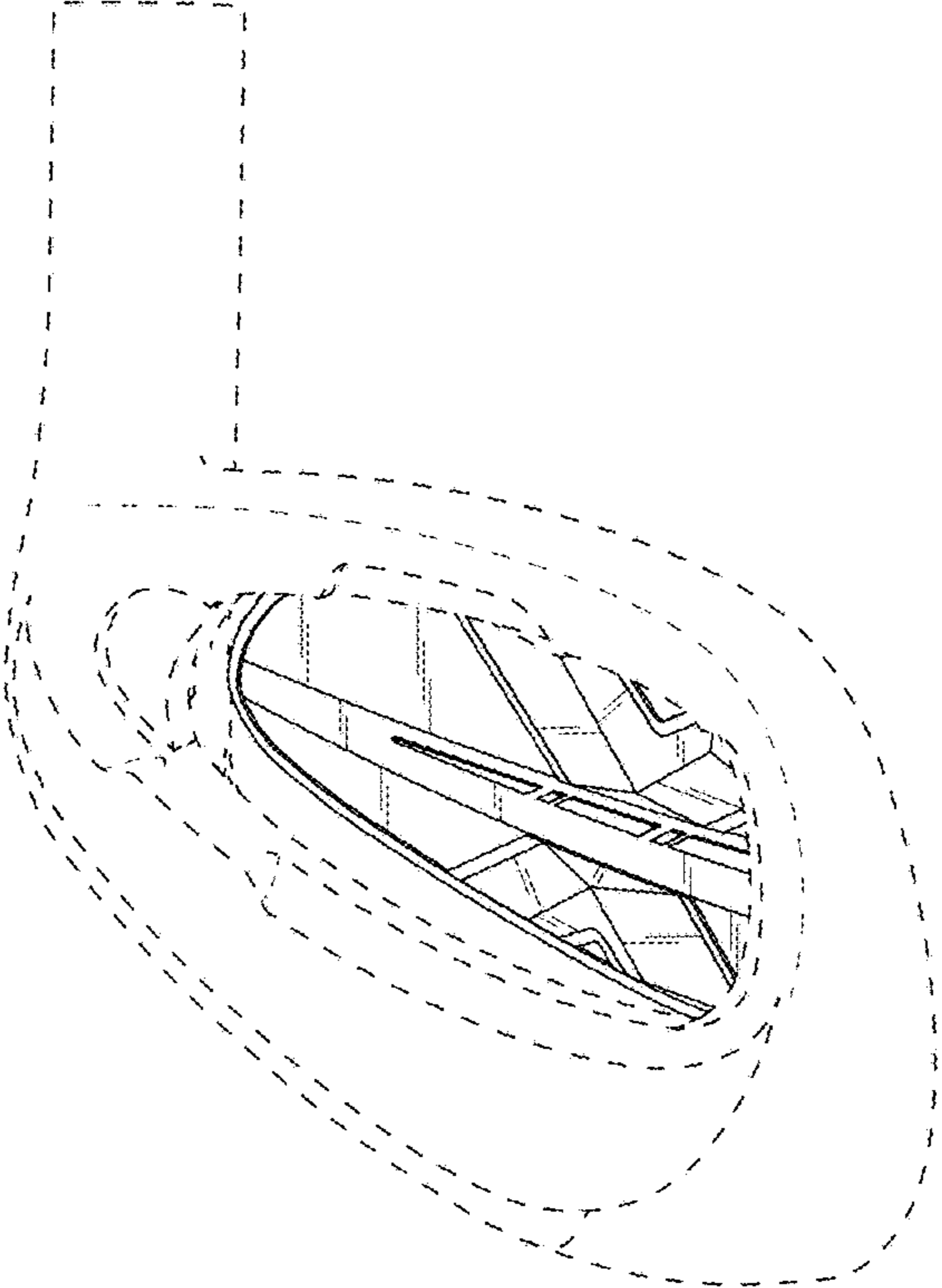


FIG. 2

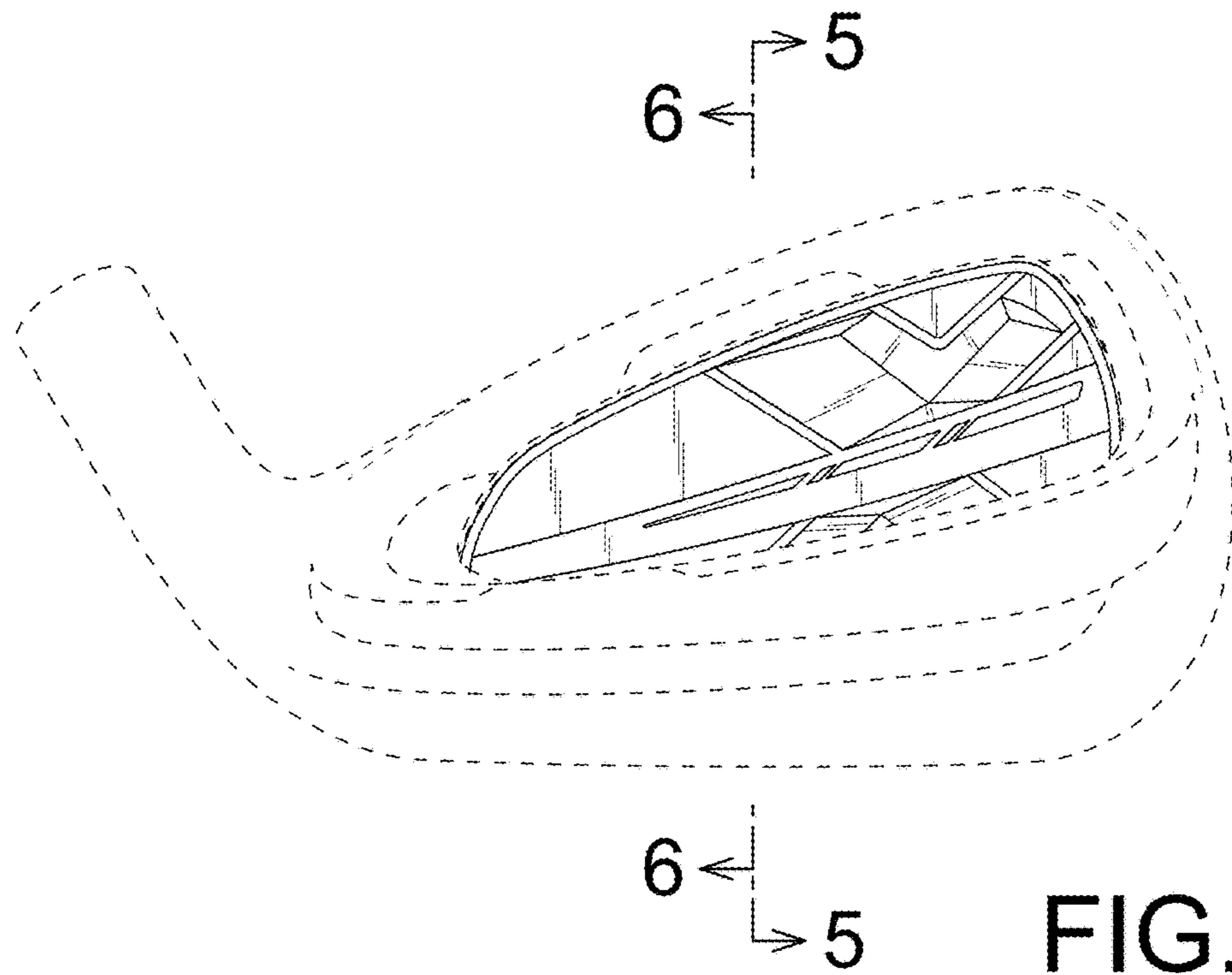


FIG. 3

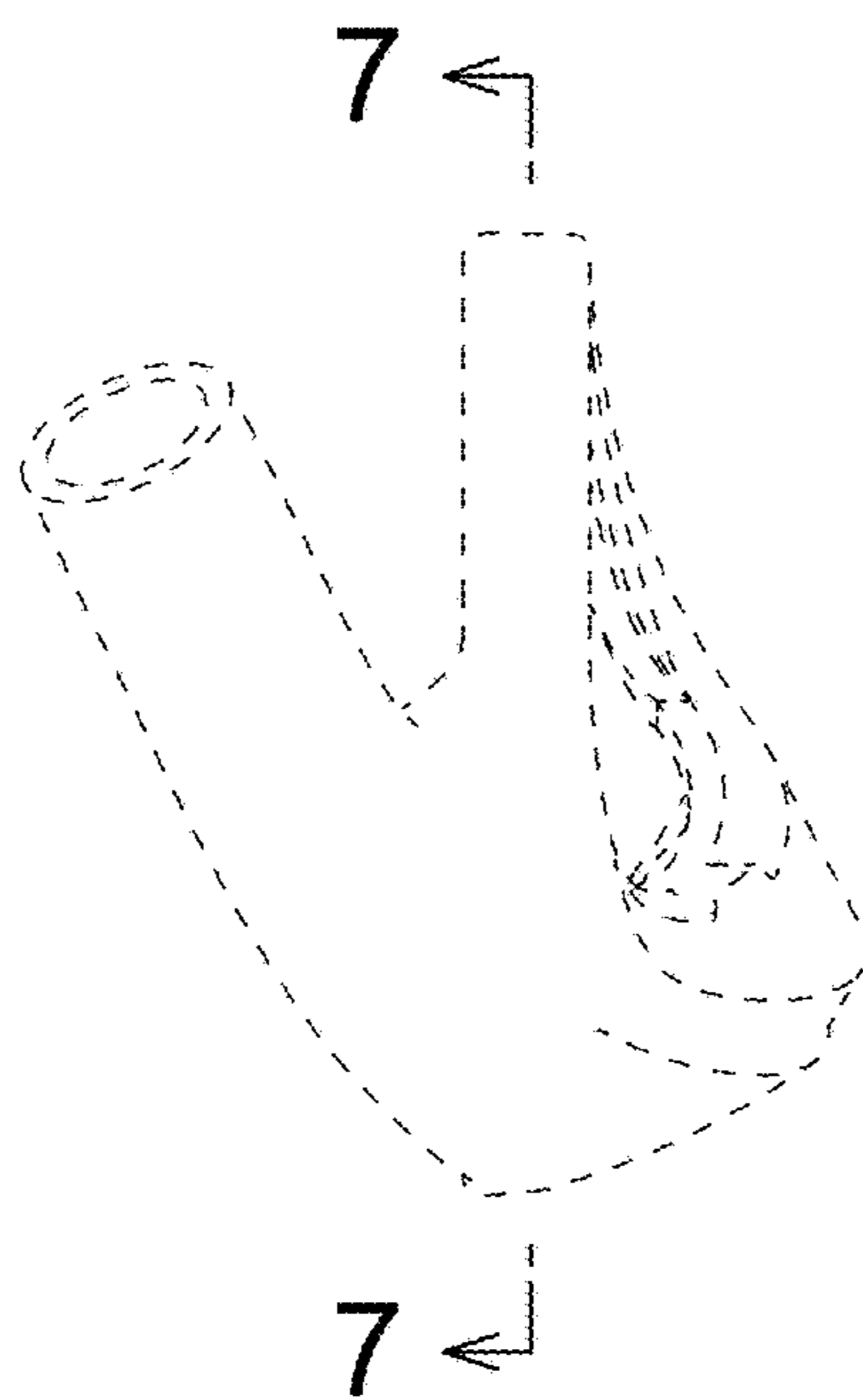


FIG. 4

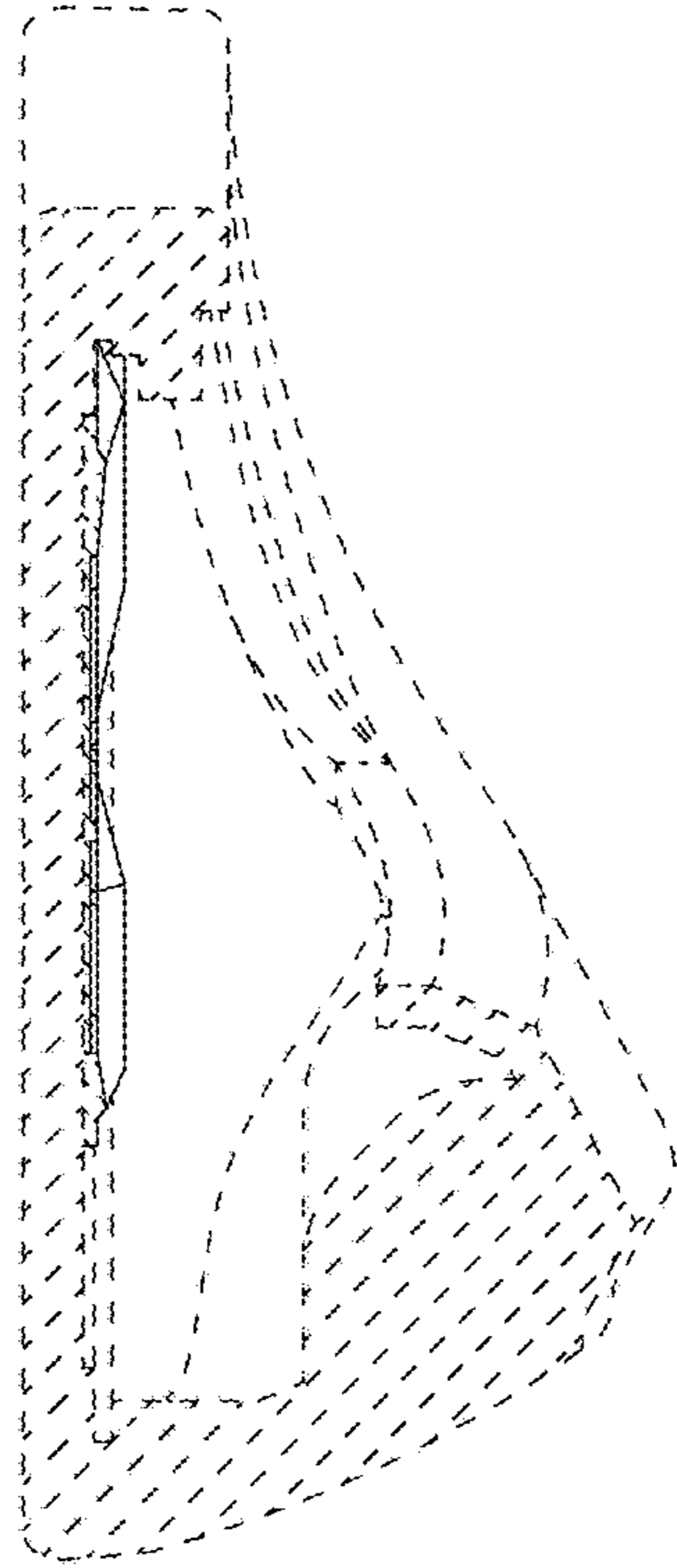


FIG. 5

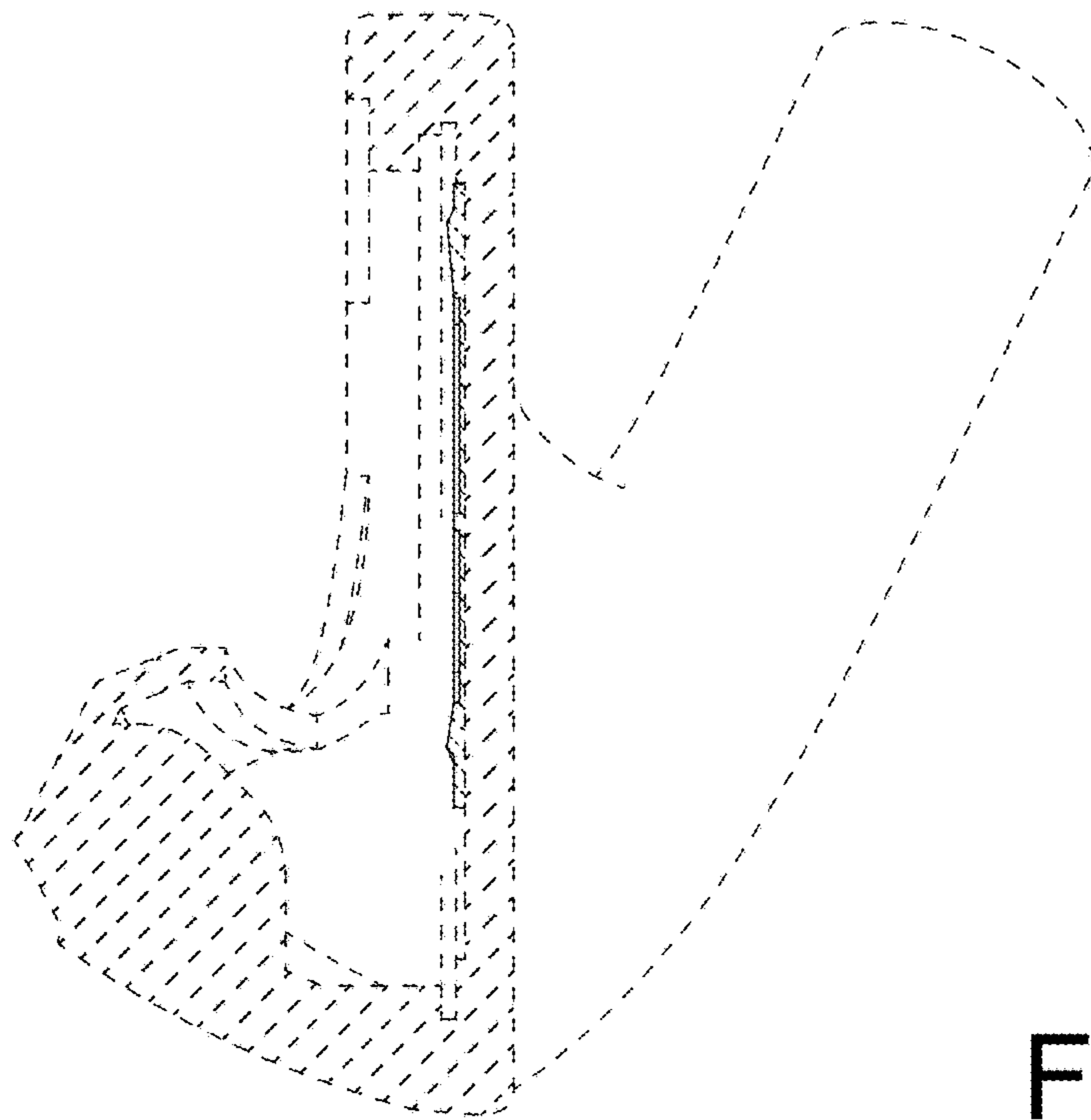


FIG. 6

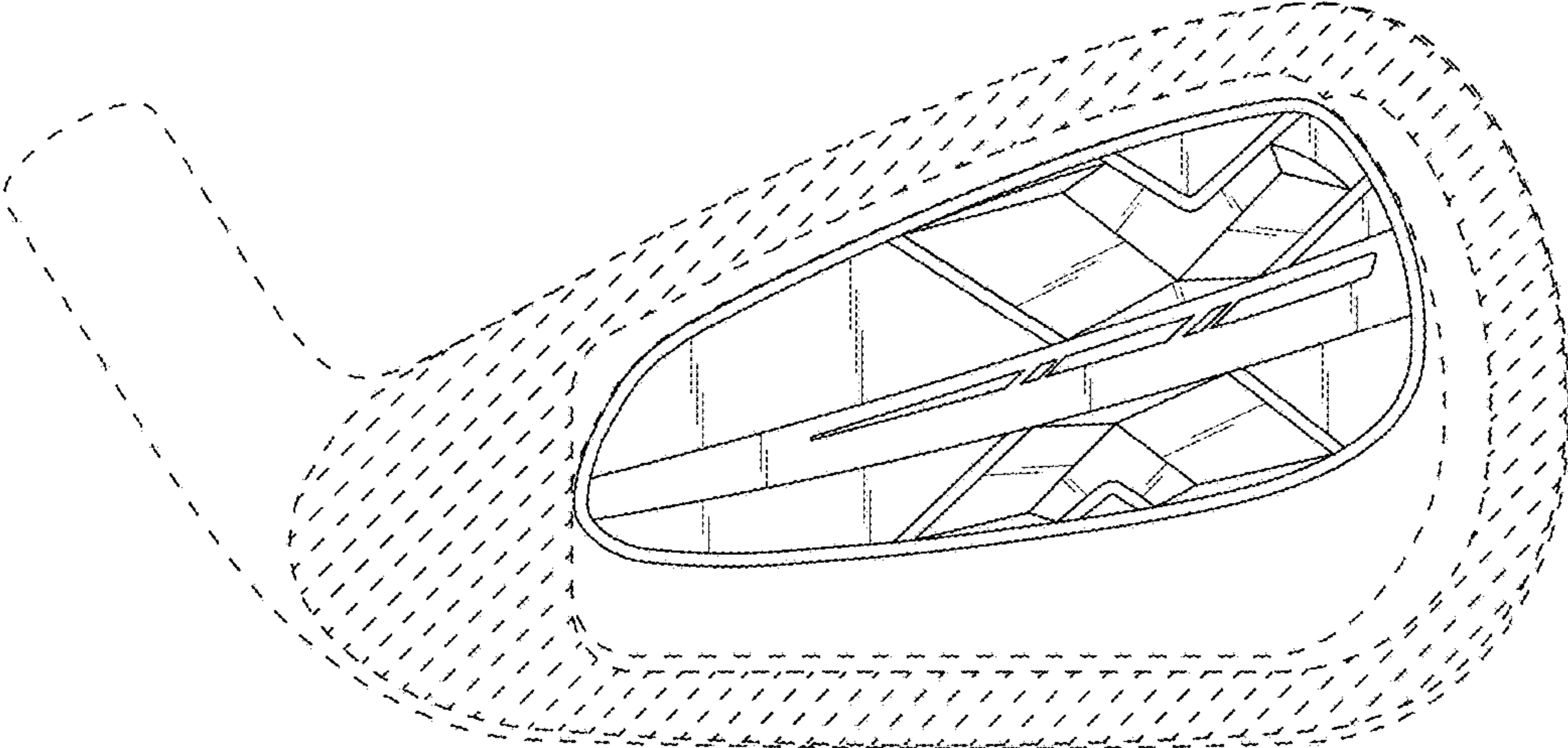


FIG.7