



US00D841747S

(12) **United States Design Patent** (10) **Patent No.:** **US D841,747 S**
Montano (45) **Date of Patent:** **** Feb. 26, 2019**

(54) **EXERCISE DEVICE**
(71) Applicant: **Marco Montano**, Forest Hills, NY (US)
(72) Inventor: **Marco Montano**, Forest Hills, NY (US)
(**) Term: **15 Years**
(21) Appl. No.: **29/621,222**
(22) Filed: **Oct. 5, 2017**
(51) **LOC (11) Cl.** **21-02**
(52) **U.S. Cl.**
USPC **D21/691**
(58) **Field of Classification Search**
USPC .. 482/40, 93, 94, 95, 98, 99, 100, 101, 104,
482/121, 140, 142, 143, 144, 145;
D6/552; D21/662, 673, 675, 676, 686,
D21/690, 691, 694; D12/178
CPC A63B 21/4035; A63B 21/00047; A63B
2225/093; A63B 22/20
See application file for complete search history.

D650,025 S * 12/2011 Leier D21/691
D650,026 S * 12/2011 Leier D21/691
D667,514 S * 9/2012 Pribelyi D21/691
D667,901 S * 9/2012 Garcia Chavez D21/692
8,858,401 B2 * 10/2014 Kaupe A45B 1/02
482/148
D724,678 S * 3/2015 Miller, Jr. D21/691
8,992,394 B2 * 3/2015 Mitchell A63B 21/0724
482/104
D727,711 S * 4/2015 Deily D8/303
D737,386 S * 8/2015 Ho D21/691
9,114,273 B2 8/2015 Kehoe et al.
9,138,609 B2 9/2015 Placide
9,327,153 B2 5/2016 Wallisch
9,452,308 B2 9/2016 Lentz et al.
10,058,756 B1 * 8/2018 Basilone A63B 69/0002
2013/0225373 A1 8/2013 Poat

* cited by examiner

Primary Examiner — Cynthia Ramirez
Assistant Examiner — Michael A Maharajh
(74) *Attorney, Agent, or Firm* — Goldstein Law Offices,
P.C.

(56) **References Cited**

U.S. PATENT DOCUMENTS

D307,257 S * 4/1990 Tsai D12/178
D327,105 S * 6/1992 Smith, Jr. D21/691
5,453,067 A * 9/1995 Cianfrocca, II ... A63B 21/4001
482/139
D371,586 S * 7/1996 Snyder D21/691
D393,438 S * 4/1998 Cartwright D12/178
D394,482 S * 5/1998 Colonello D21/673
5,871,422 A 2/1999 Elbogen
6,248,048 B1 6/2001 Zuckerman et al.
D463,837 S * 10/2002 Tuller D21/662
7,217,227 B2 5/2007 Finn
D571,872 S * 6/2008 Batca D21/691
D583,426 S * 12/2008 Webber D21/691
7,749,144 B2 * 7/2010 Hammer A63B 21/0552
482/121
D633,962 S * 3/2011 Stacey D21/691

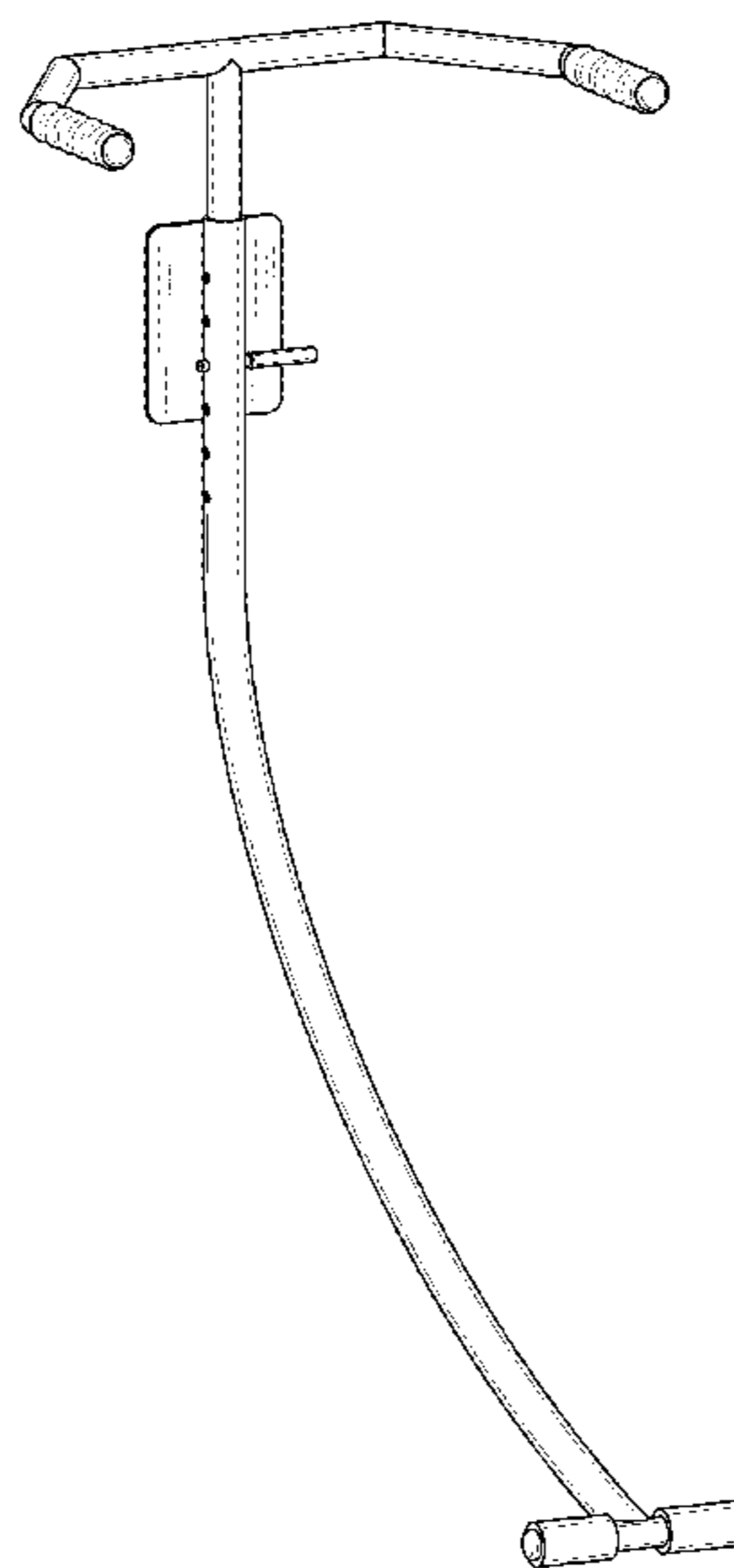
(57) **CLAIM**

The ornamental design for an exercise device, as shown and described.

DESCRIPTION

FIG. 1 is a perspective view of the exercise device showing my new design.
FIG. 2 is a rear elevational view thereof.
FIG. 3 is a front elevational view thereof.
FIG. 4 is a top plan view thereof.
FIG. 5 is a bottom plan view thereof.
FIG. 6 is a left side elevational view thereof; and,
FIG. 7 is a right side elevational view thereof.

1 Claim, 5 Drawing Sheets



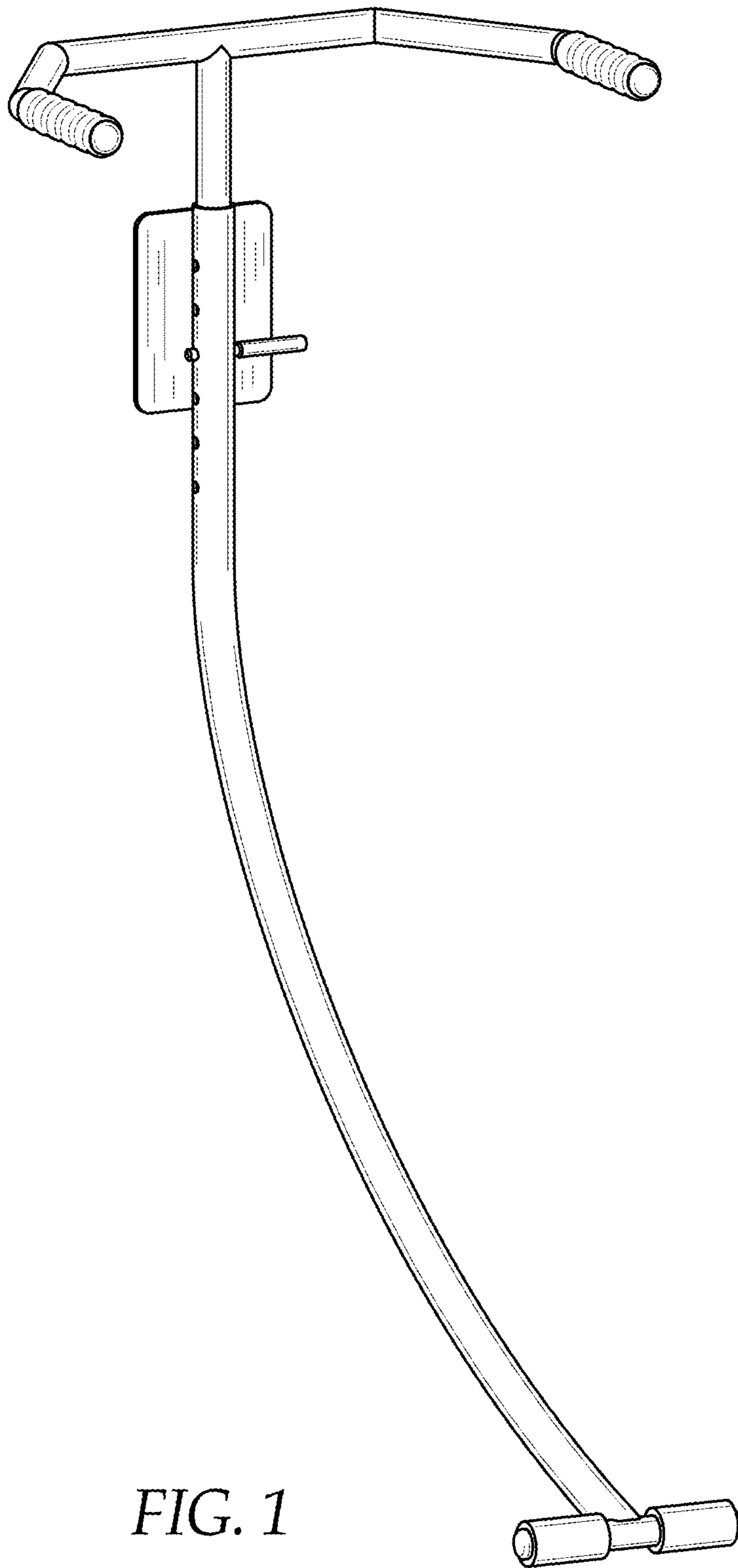


FIG. 1

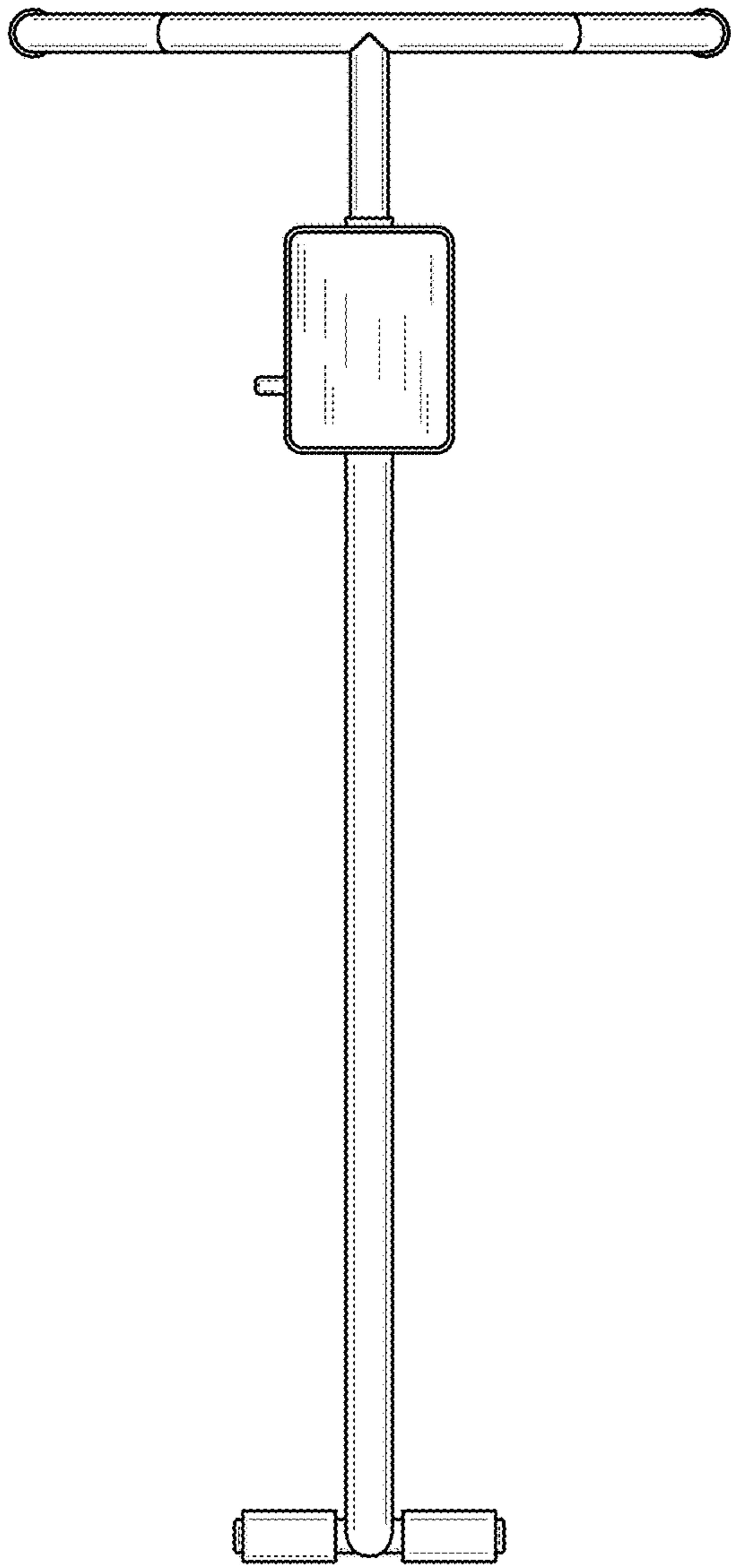


FIG. 2

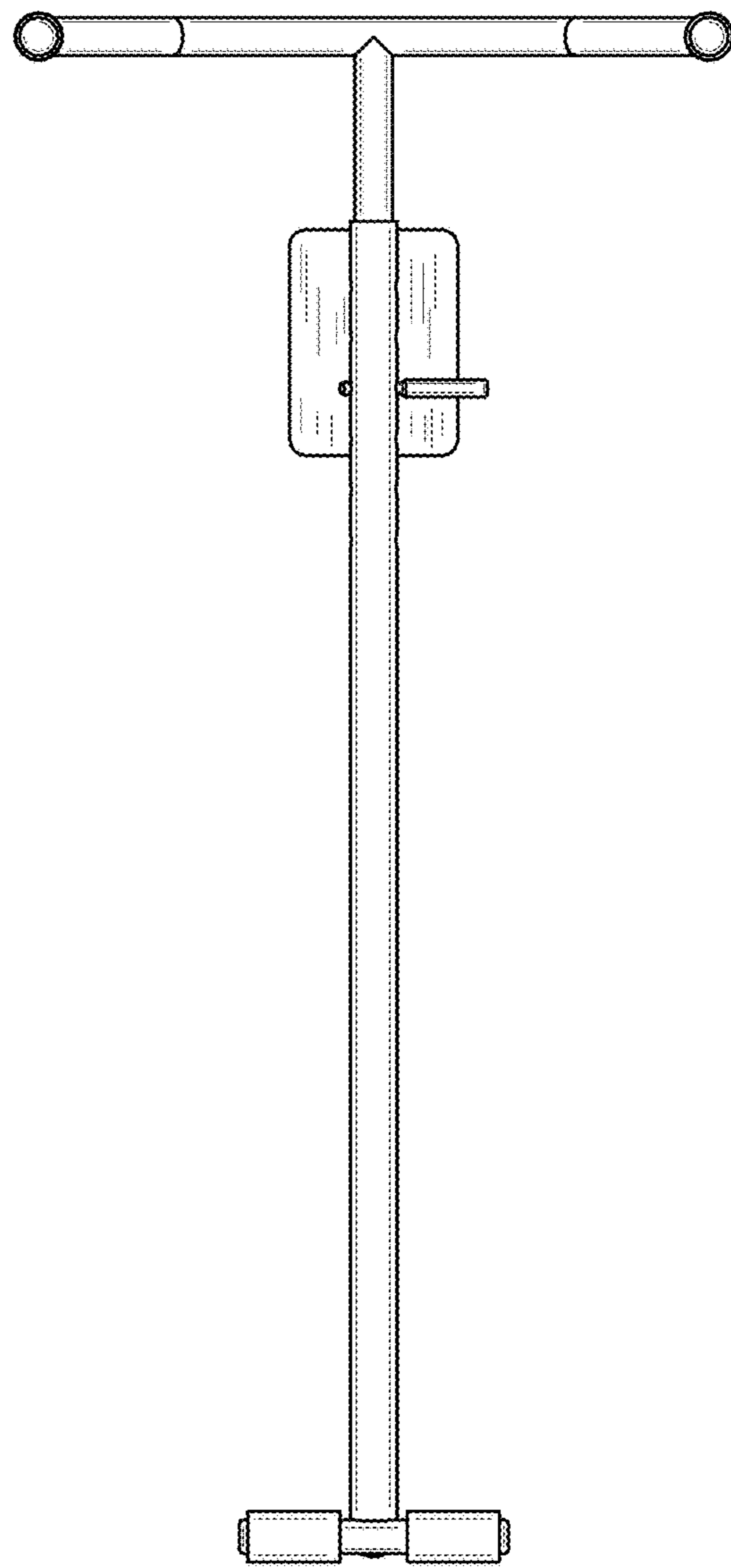


FIG. 3

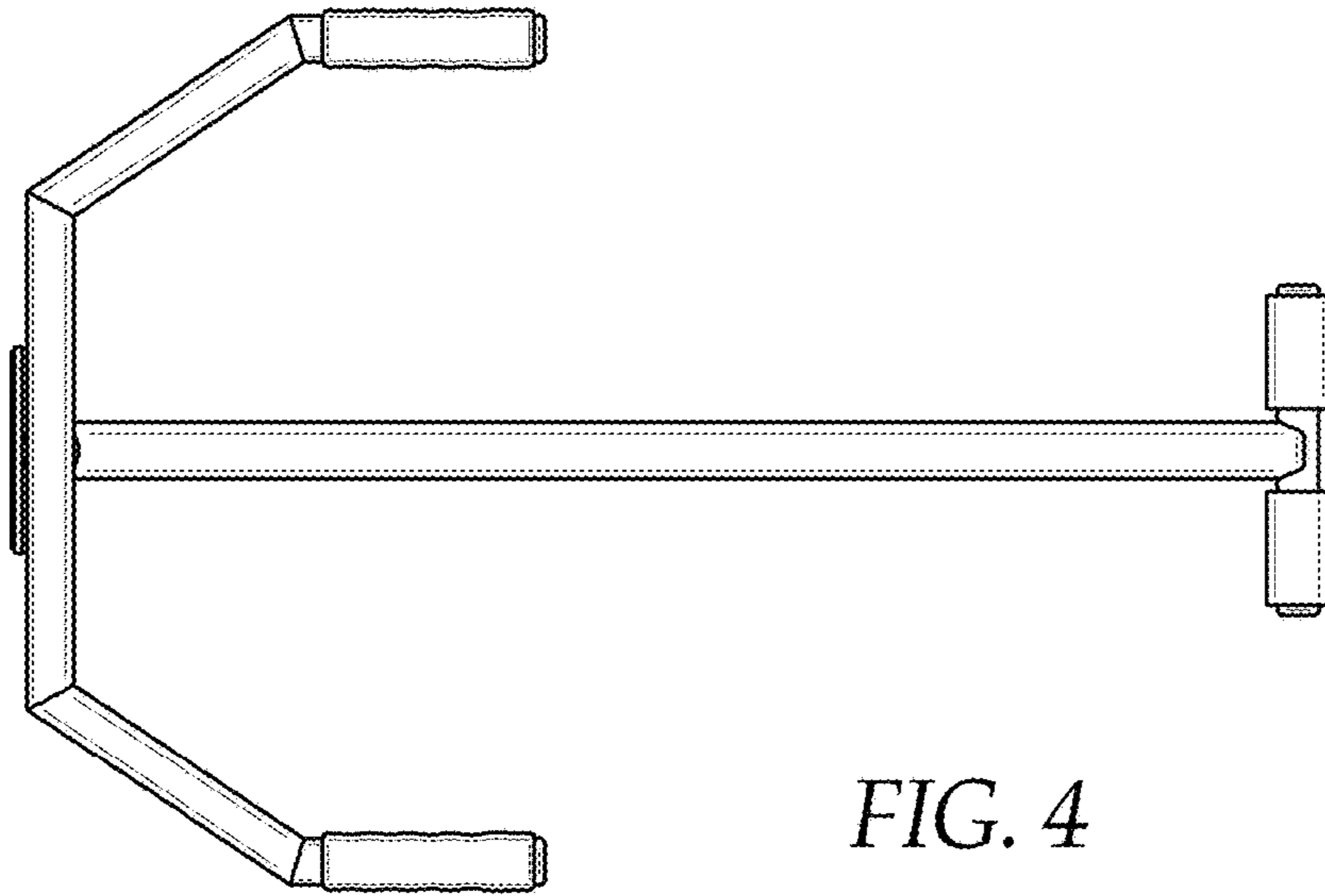


FIG. 4

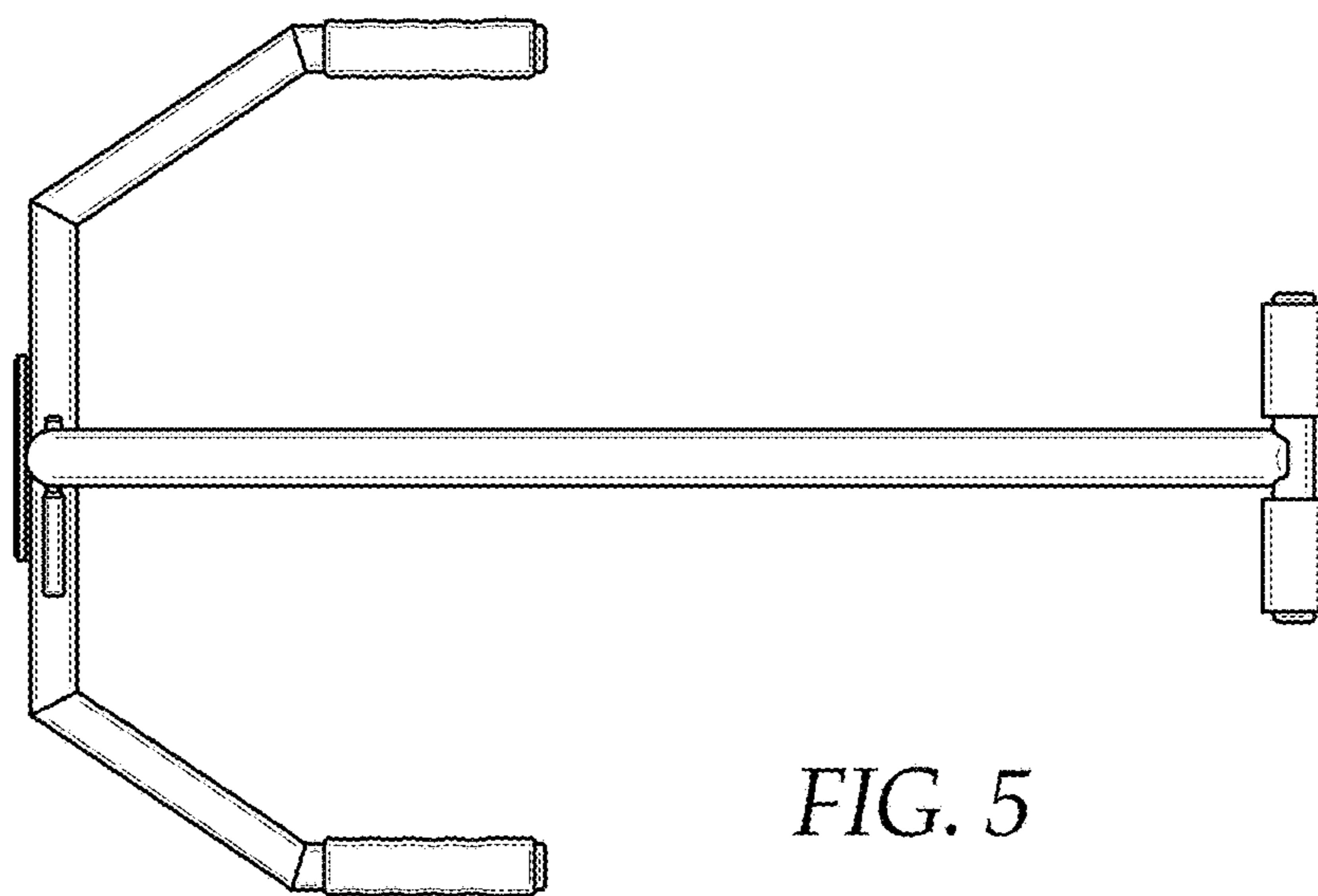


FIG. 5

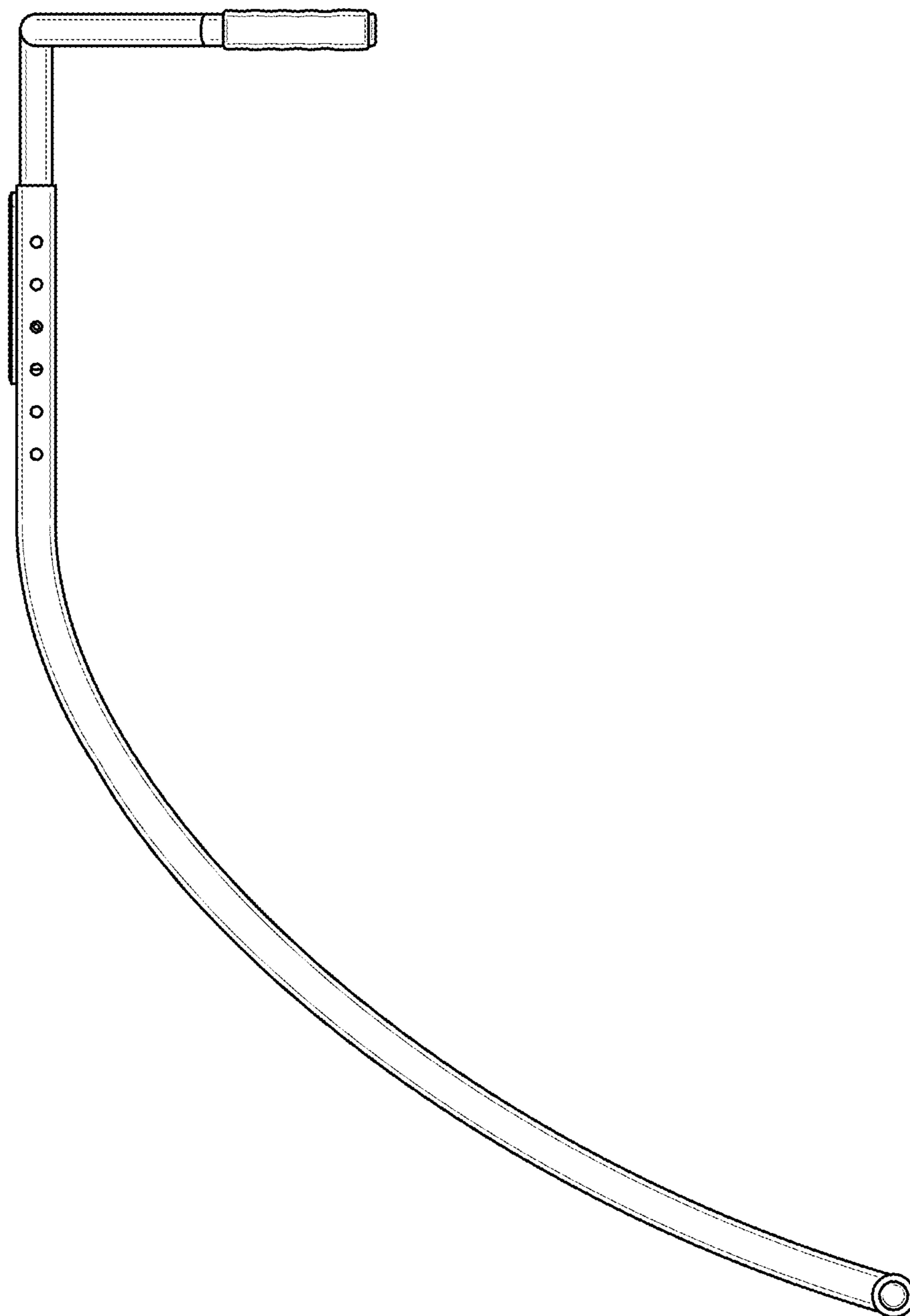


FIG. 6

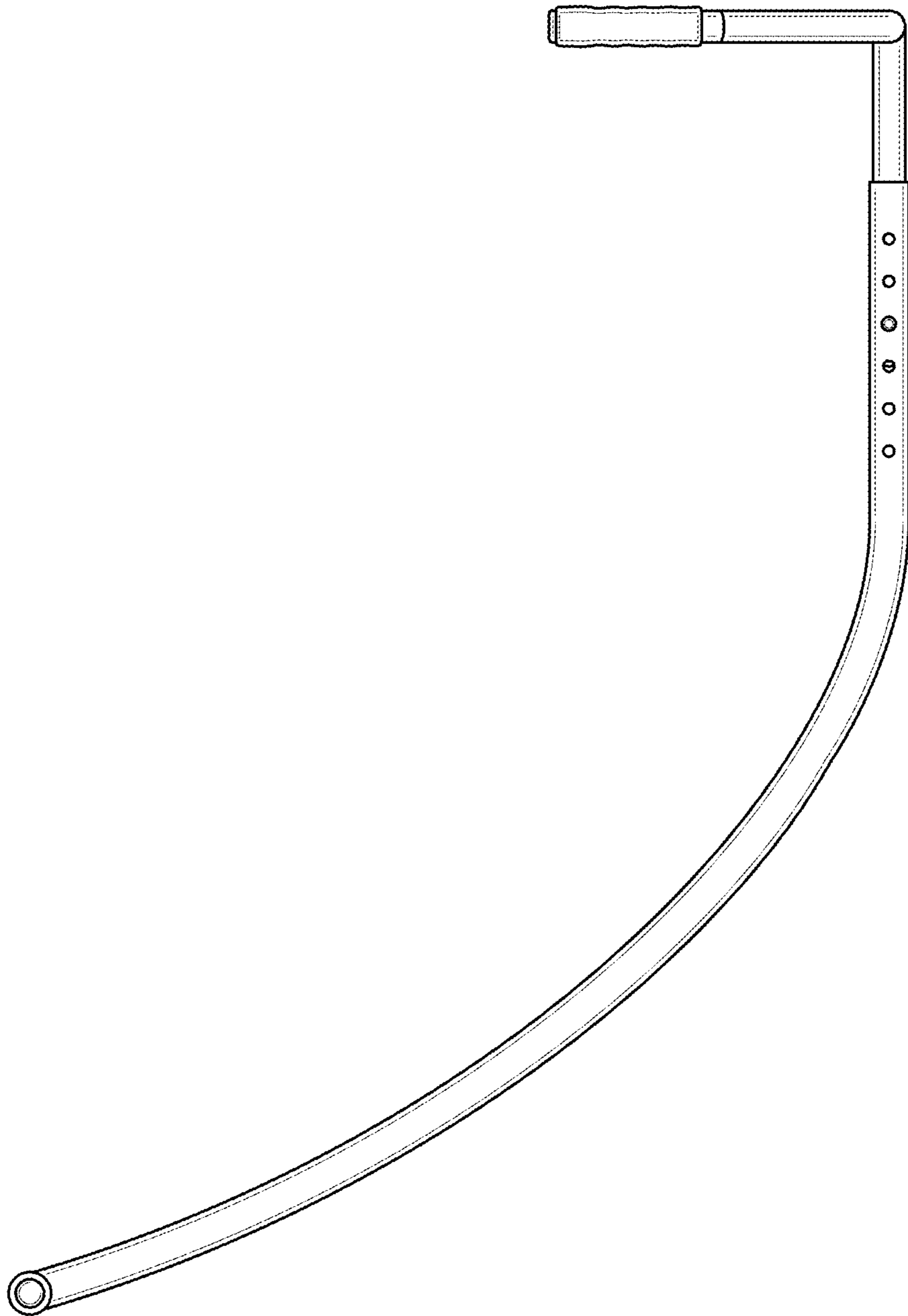


FIG. 7