



US00D841746S

(12) **United States Design Patent** (10) **Patent No.:** **US D841,746 S**
Fazzari (45) **Date of Patent:** **** Feb. 26, 2019**

(54) **EXERCISE DEVICE**
(71) Applicant: **Carlo Fazzari**, Hamilton (CA)
(72) Inventor: **Carlo Fazzari**, Hamilton (CA)
(**) Term: **15 Years**
(21) Appl. No.: **29/619,757**
(22) Filed: **Oct. 2, 2017**
(51) **LOC (11) Cl.** **21-02**
(52) **U.S. Cl.**
USPC **D21/691**
(58) **Field of Classification Search**
USPC .. 482/40, 93, 94, 95, 98, 99, 100, 101, 104,
482/121, 140, 142, 143, 144, 145;
D6/552; D21/662, 673, 675, 676, 686,
D21/690, 691, 694
CPC A63B 21/4035; A63B 21/00047; A63B
2225/093; A63B 22/20
See application file for complete search history.

D508,097 S * 8/2005 Perez D21/662
D525,668 S * 7/2006 Payne D21/691
D571,872 S * 6/2008 Batca D21/691
D593,169 S * 5/2009 Storch D21/686
D613,804 S * 4/2010 Perez D21/691
7,713,182 B2 * 5/2010 Bizzell A63B 21/0004
482/140
D617,855 S * 6/2010 Leier D21/686
D650,024 S * 12/2011 Ivanov D21/662
D650,025 S * 12/2011 Leier D21/691
D650,026 S * 12/2011 Leier D21/691
8,491,450 B2 * 7/2013 Perry, Jr. A61H 1/0218
482/142
8,535,204 B2 * 9/2013 Stacey A63B 1/00
482/40
D712,987 S * 9/2014 Salzedo D21/662
D795,970 S * 8/2017 McMaster D21/662
D814,577 S * 4/2018 Lalaoua D21/688
D818,548 S * 5/2018 Ho D21/688

* cited by examiner

Primary Examiner — Cynthia Ramirez
Assistant Examiner — Michael A Maharajh
(74) *Attorney, Agent, or Firm* — Ridout & Maybee LLP

(56) **References Cited**
U.S. PATENT DOCUMENTS

D210,469 S * 3/1968 Sejersen D21/691
3,709,488 A * 1/1973 Garner A63B 23/00
482/145
4,609,193 A * 9/1986 Paris A61H 1/0218
482/144
4,753,438 A * 6/1988 Paris A61H 1/0218
482/144
D379,836 S * 6/1997 Chen D21/691
D380,517 S * 7/1997 Ho D21/691
D386,226 S * 11/1997 Chen D21/691
5,772,563 A * 6/1998 Lin A63B 23/0211
482/121
D420,070 S * 2/2000 Zarillo D21/687
D424,142 S * 5/2000 McBride D21/686
6,090,023 A * 7/2000 Liu A63B 21/0004
482/140
D503,757 S * 4/2005 Sjurdagardi D21/686

(57) **CLAIM**

The ornamental design for an exercise device, as shown and described.

DESCRIPTION

FIG. 1 is a top plan view of an exercise device showing my new design;
FIG. 2 is a bottom plan view thereof;
FIG. 3 is a front elevation view; the rear elevation view being a mirror image thereof;
FIG. 4 is a left side elevation view, the right side elevation view being a mirror image thereof; and,
FIG. 5 is a front, top left side perspective view thereof.

1 Claim, 5 Drawing Sheets

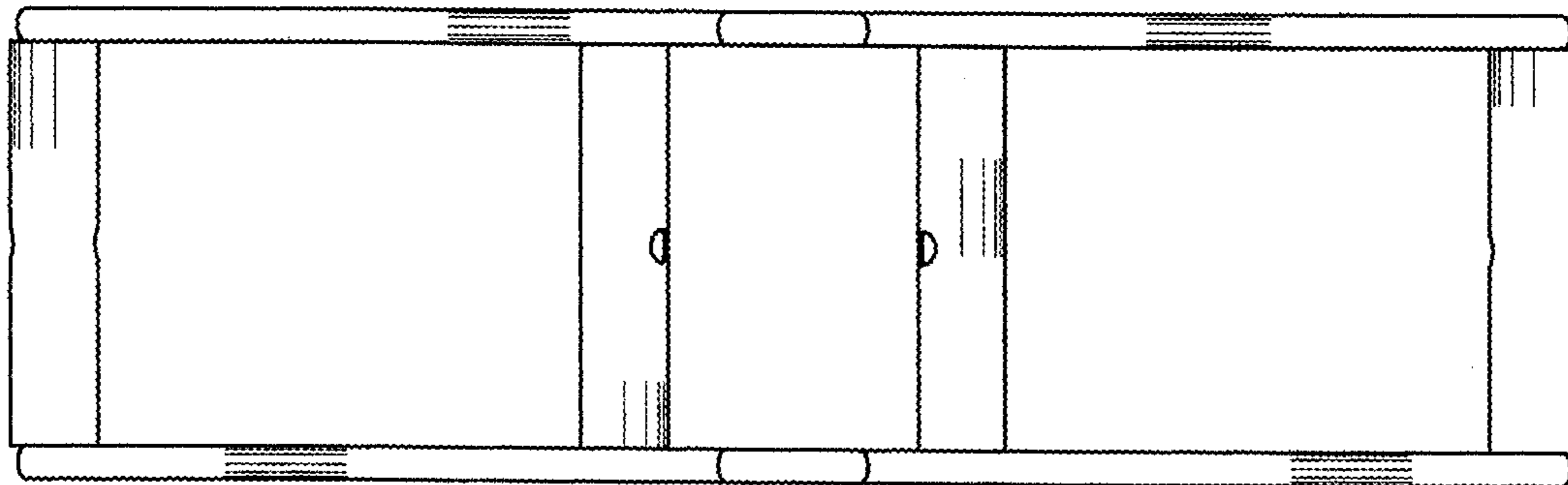


FIG. 1

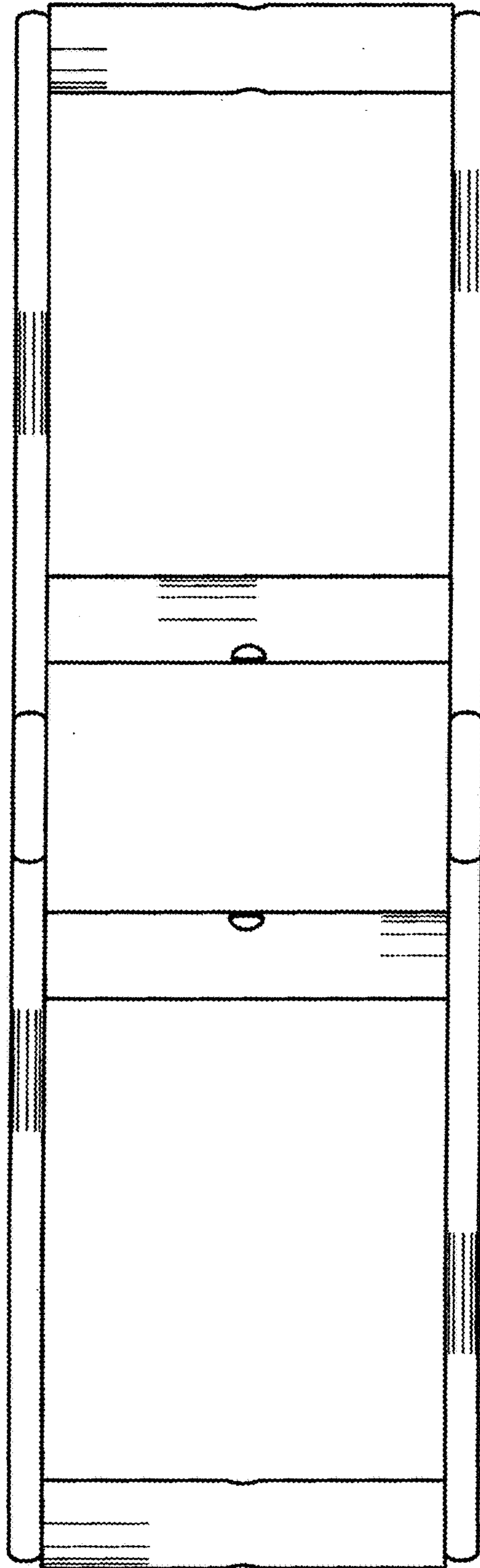
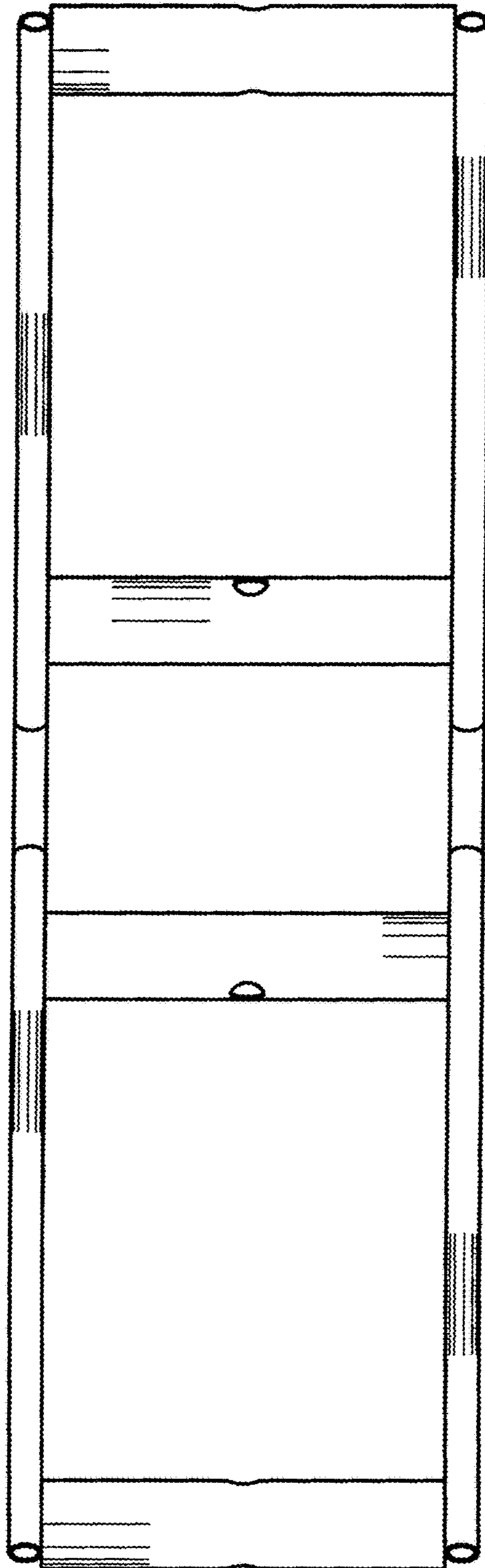


FIG. 2



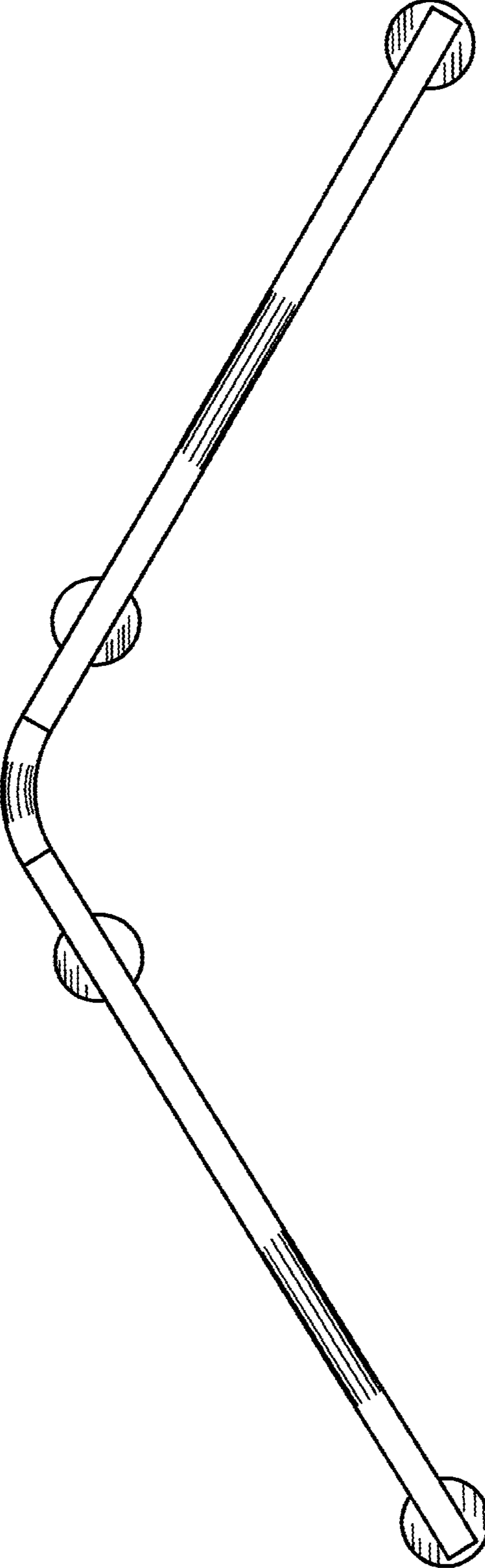


FIG. 3

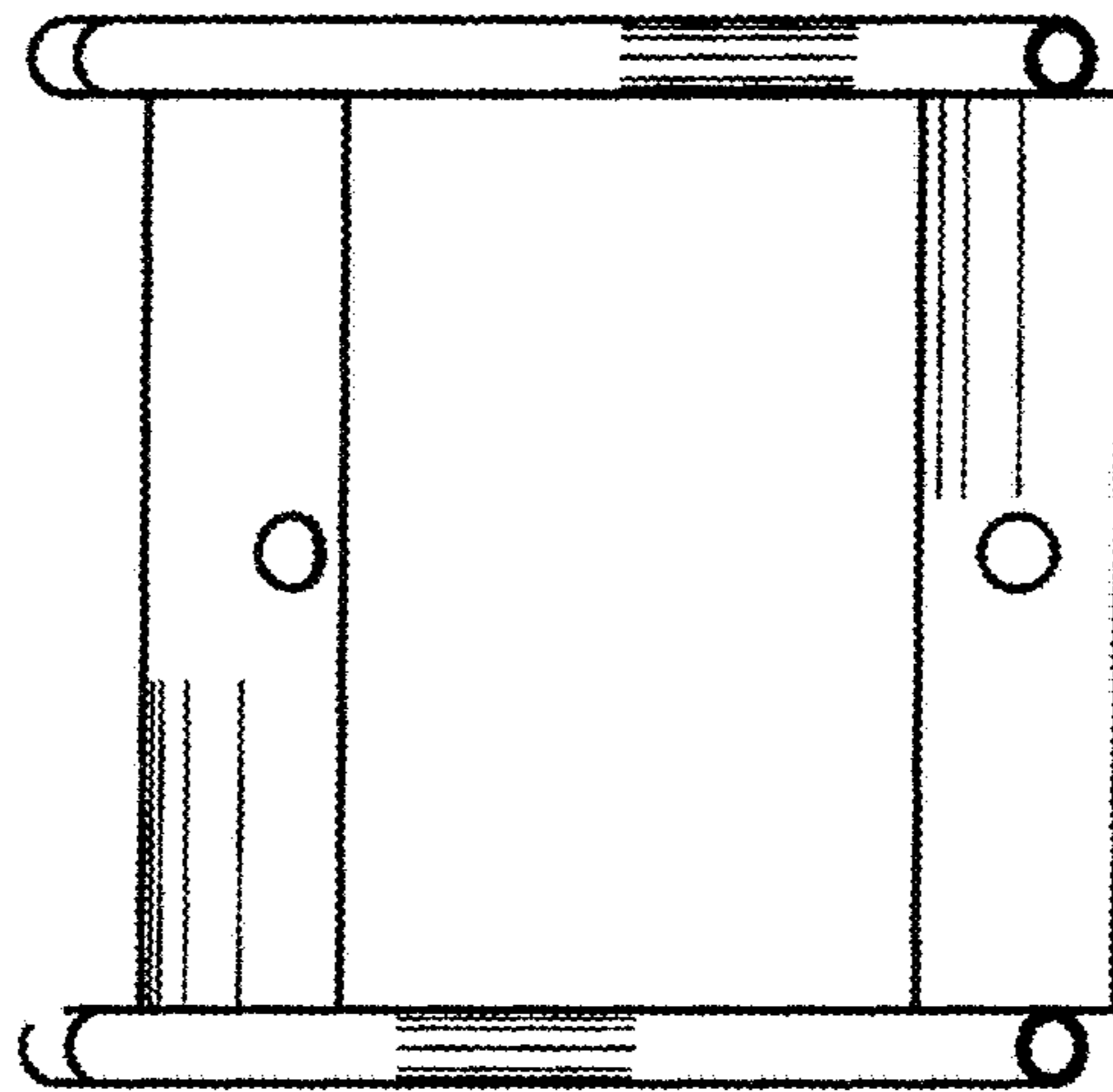


FIG. 4

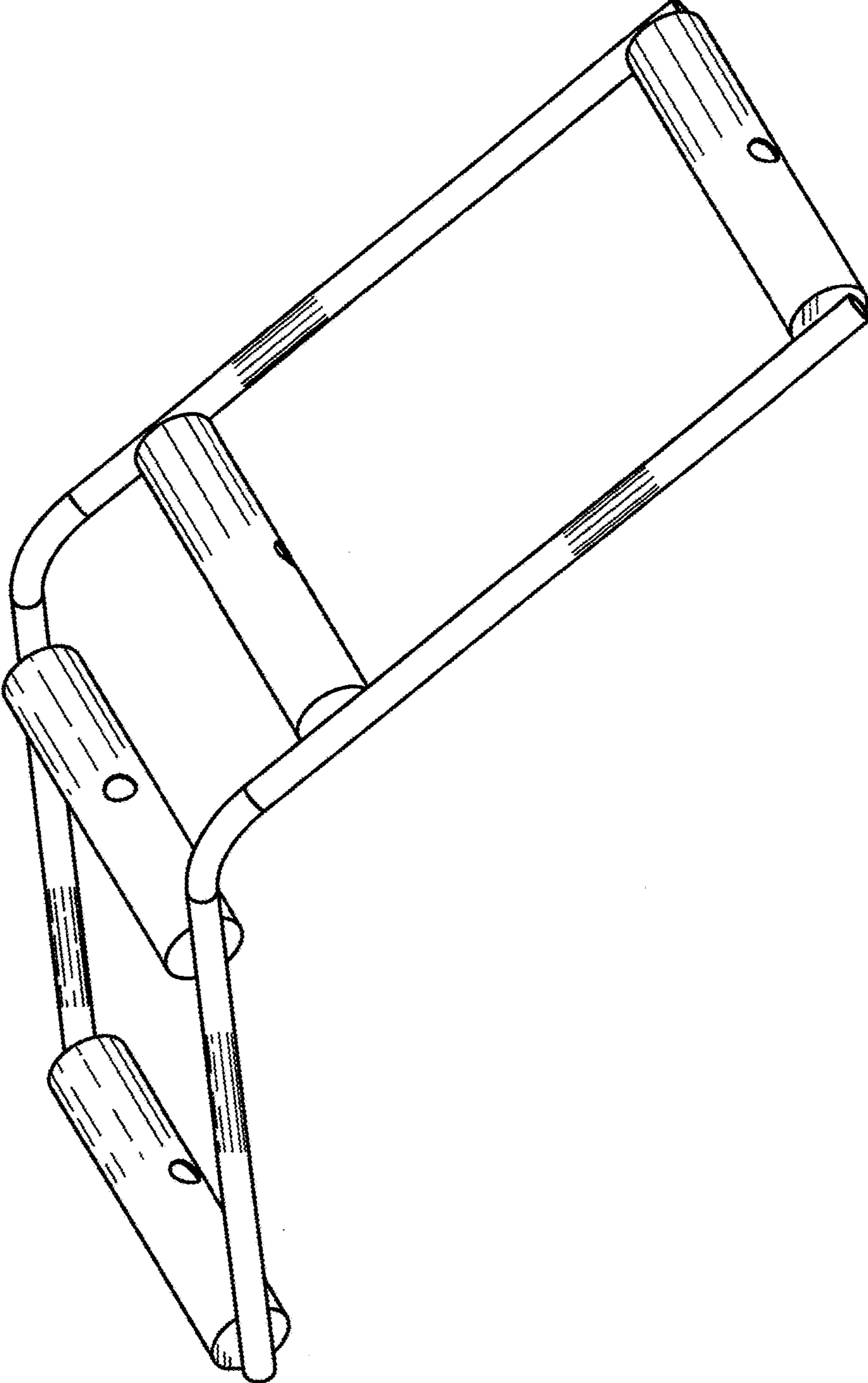


FIG. 5